



(22) **Date de dépôt/Filing Date:** 2015/02/03

(41) **Mise à la disp. pub./Open to Public Insp.:** 2016/08/03

(51) **Cl.Int./Int.Cl. A44C 5/00** (2006.01)

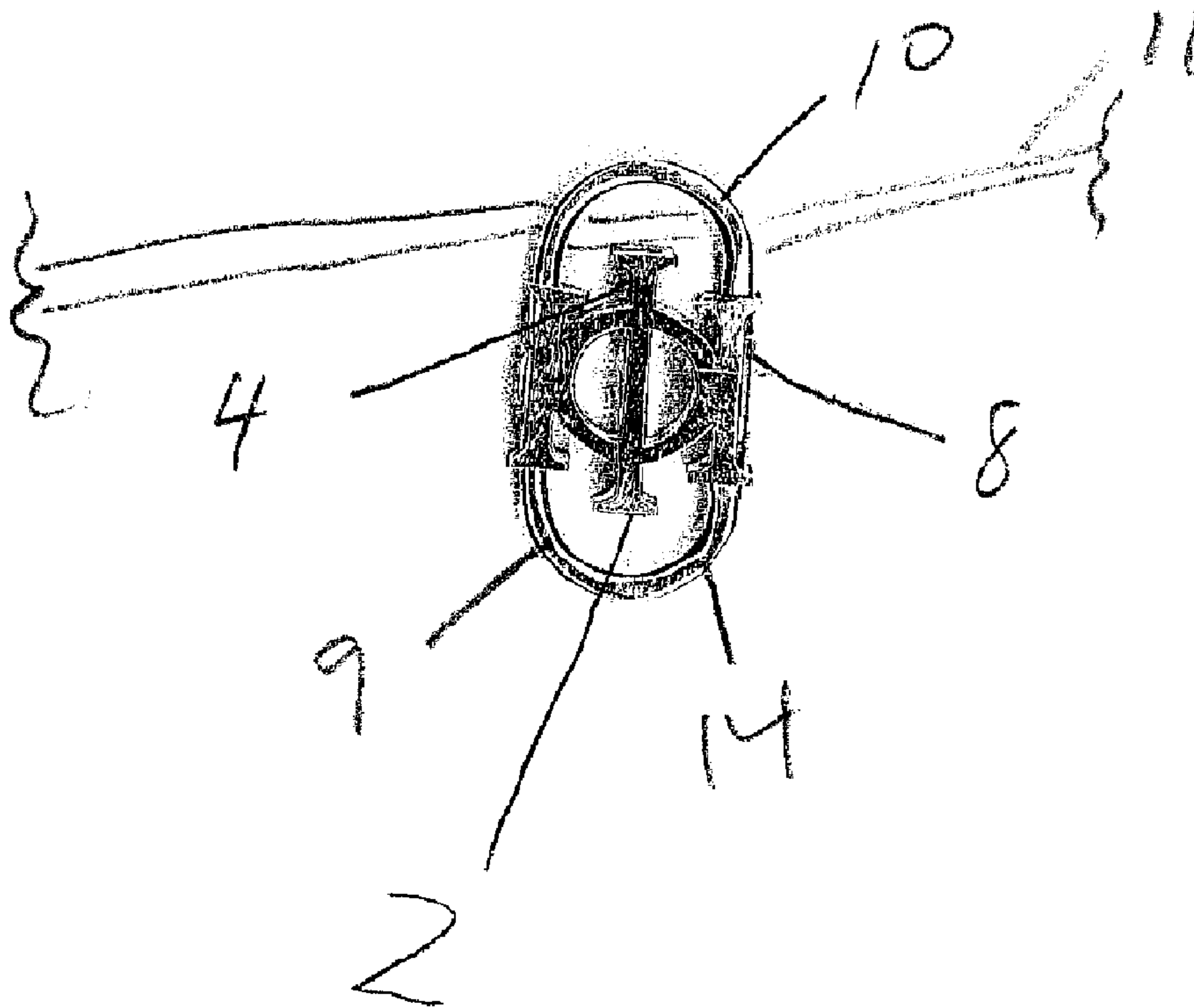
(71) **Demandeur/Applicant:**
DACOSTA, MICHAEL, CA

(72) **Inventeur/Inventor:**
DACOSTA, MICHAEL, CA

(74) **Agent:** RICHES, MCKENZIE & HERBERT LLP

(54) **Titre : PINCE DESTINEE A LA JOAILLERIE**

(54) **Title: JEWELLERY CLASP**



(57) **Abrégé/Abstract:**

The invention relates to a new and improved clasp for attaching jewellery items which have a loop and a clasp closure to a chain, necklace or bracelet or similar item that provides a jewellery clasp for securing an ornamental item to a continuous chain comprising a pair of oppositely oriented decorative portions hinged on one side of a tubular member extending circumferentially around the clasp and terminating in a short gap at the opposite side of the hinged portion, a gap closure member extending from one of the decorative portions adapted to releasably secure the decorative portions in a closed position thereby closing the gap.

ABSTRACT

The invention relates to a new and improved clasp for attaching jewellery items which have a loop and a clasp closure to a chain, necklace or bracelet or similar item that provides a jewellery clasp for securing an ornamental item to a continuous chain comprising a pair of oppositely oriented decorative portions hinged on one side of a tubular member extending circumferentially around the clasp and terminating in a short gap at the opposite side of the hinged portion, a gap closure member extending from one of the decorative portions adapted to releasably secure the decorative portions in a closed position thereby closing the gap.

JEWELLERY CLASP

Field of the Invention

The present invention relates to a new and improved clasp for attaching jewellery items which have a loop and a clasp closure to a chain, necklace or bracelet or similar item.

Background of the Invention

In the past, most jewellery items such as pendants or charms were attached to chains or the like by opening a link on the chain and placing a pendant on the chain. One of the problems with these products was that it was difficult to open the link on the chain or necklace and when opened, the charms or pendants could easily fall off the chain or necklace.

The present invention has overcome these difficulties and problems by providing the means to attach the charm or the pendant directly to the chain or necklace on the charm or pendant directly and not on the chain or necklace. This invention also allows for charms, pendants and the like to be attached to a chain which is a continuous chain and which does not have an opening link or device to secure the charm to the chain on the chain itself. Thus charms and the like can be affixed to a continuous chain or necklace which does not have an opening link on the chain.

Common bracelets or necklaces have a means on the bracelet or the necklace to secure a bead, a charm or a decorative item to the chain. These means typically comprise a clasp to secure the charm or if a bead is to be inserted onto the bracelet, a clasp which may be inserted directly through the bead or charm itself. This of course requires that the necklace have a link which can be opened and then secured.

Summary of the Invention

The present invention has been designed to overcome these disadvantages by providing that the insert such as a charm or pendant include a means to secure the charm or pendant directly to a chain by opening a clasp on the charm or pendant itself and then mounting the pendant on the chain.

To this end, in one of its embodiments, the invention provides a jewellery clasp for securing an ornamental item to a continuous chain comprising a pair of oppositely oriented decorative portions hinged on one side of a tubular member extending circumferentially around the clasp and terminating in a short gap at the opposite side of the hinged portion, a gap closure member extending from one of the decorative portions adapted to releasably secure the decorative portions in a closed position thereby closing the gap.

In another of its aspects, the invention provides a jewellery clasp for securing an ornamental item to a continuous chain comprising a pair of oppositely oriented decorative portions hinged on one side of a tubular member extending circumferentially around the clasp and terminating in a short gap at the opposite side of the hinged portion, a gap closure member extending from one of the decorative portions adapted to releasably secure the decorative portions in a closed position thereby closing the gap, wherein the gap closure member is a tongue portion extending inwardly from one of the decorative elements.

In yet another of its aspects, the invention provides a jewellery clasp for securing an ornamental item to a continuous chain comprising a pair of oppositely oriented decorative portions hinged on one side of a tubular member extending circumferentially around the clasp and terminating in a short gap at the opposite side of the hinged portion, a gap closure member extending from one of the decorative portions adapted to releasably secure the decorative portions in a closed position thereby closing the gap, wherein the gap closure member is tongue portion extending inwardly from one of the decorative elements and the tongue portion is press fitted to secure the decorative portions together.

In yet a still further aspect of the invention, it provides a jewellery clasp for securing an ornamental item to a continuous chain comprising a pair of oppositely oriented decorative portions hinged on one side of a tubular member extending circumferentially around the clasp and terminating in a short gap at the opposite side of the hinged portion, a gap closure member extending from one of the decorative portions adapted to releasably secure the decorative portions in a closed position thereby closing the gap, wherein the gap closure member is tongue portion extending inwardly from one of the decorative elements and the tongue portion is press fitted to secure the decorative portions together, wherein the tubular member is a continuous member extending through a channel attached to the

two decorative portions thereby allowing the decorative portions to be swung away from each other.

Brief Description of the Drawings

Figure 1 shows a pendant having the new clasp in the closed position.

Figure 2 shows a side view the pendant of figure 1 in an open position.

Figure 3 shows the pendant of figure 1 in a fully open position.

Detailed Description of the Preferred Embodiment

Reference will be made to a pendant have the new clasp but the invention of the new clasp is equally applicable to any insert to be mounted on a chain, a necklace, a bracelet or on any similar item.

The pendant comprises an ornamental portion 2 on its front 4 and on its rear surface 6 (not shown in figure 1). A circumferential tubular member 9 extends around the ornamental portions as shown in figure 1 thereby providing a closed ring when the ornamental portion 2 is in the closed position. A chain 11 is secured through the closed ring in the assembled condition thus retaining the pendant on the chain.

The tubular member 9 carries a hinge portion or connector 8 at the mid-point of a first side of the pendant which allows ornamental portions 4,6 to swing away and pivot from each other as shown in figure 2.

The tubular member 9 extends upwardly from connector 8 and back down the opposite side terminating at end portion 12. In the opposite direction, tubular member 9 extends in the opposite direction from the connector 8 terminating in an end portion 16 leaving a short gap 20 between end portion 12 and end portion 16. This gap 20 is sufficiently wide to allow a standard chain to be inserted through the gap and attached to either element 10 or element 14.

The tubular member 9 may be a continuous member or may be two separate members welded or otherwise secured at each end of connector 8.

One of the ornamental portions 4,6 carries a locking element 22 which is adapted to lock the clasp in a closed and locked position as shown in figure 1 when the two ornamental portions 4,6 are pivoted towards the gap 20.

In one embodiment, the locking element 22 is a short rectangular tongue 26 affixed to the ornamental portion 4 which extends over the gap 20 and press fits closed with the opposite element 6.

In operation, the tongue 26 is forced away from the opposite ornamental portion 6 and each ornamental portion 4, 6 is swung away from the tubular member 9. By swinging each ornamental portion 4,6 away from the tubular member 9, this leaves the gap 20 in the open position allowing a chain or similar article to be inserted through the gap. After inserting the chain, each ornamental portion 4, 6 is swung to the closed position and the tongue 26 is press fitted to the opposite ornamental portion thereby closing the gap 20 and preventing the charm from falling off the chain.

With this structure, the pendant may be placed on the chain without opening the chain and possibly losing the other pendants which may be attached to the chain. Also, a pendant may be placed on a chain which does not have a means to open the chain, in other words, a continuous chain.

It is also noted that with this invention, one may place two or more chains on the pendant itself or in fact, may secure one pendant to a second pendant and then to a chain. This flexibility provides an improved structure for connecting a variety and number of pendants and a number of chains together.

While the principles of the invention are described in one embodiment of the invention, those skilled in this art may make modifications in the structure, arrangement and components of the invention without departing from the spirit and scope of the invention. It is intended that the description and drawings be illustrative and not limiting in any sense and that the invention be given a scope commensurate with the invention referred to therein.

CLAIMS

1. A jewellery clasp for securing an ornamental item to a continuous chain comprising a pair of oppositely oriented decorative portions hinged on one side of a tubular member extending circumferentially around said clasp and terminating in a short gap at the opposite side of said hinged portion, a gap closure member extending from one of said decorative portions adapted to releasably secure said decorative portions in a closed position thereby closing said gap.
2. A jewellery clasp as claimed in claim 1 wherein said gap closure member is a tongue portion extending inwardly from said one decorative element.
3. A jewellery clasp as claimed in claim 2 wherein said tongue portion is press fitted to secure said decorative portions together.
4. A jewellery clasp as claimed in claim 1 wherein said tubular member is a continuous member extending through a channel attached to said two decorative portions thereby allowing said decorative portions to be swung away from each other.
5. A jewellery clasp as claimed in claim 1 wherein said tubular member is secured to a hinge element adapted to allow each decorative element to be swung away from each other.

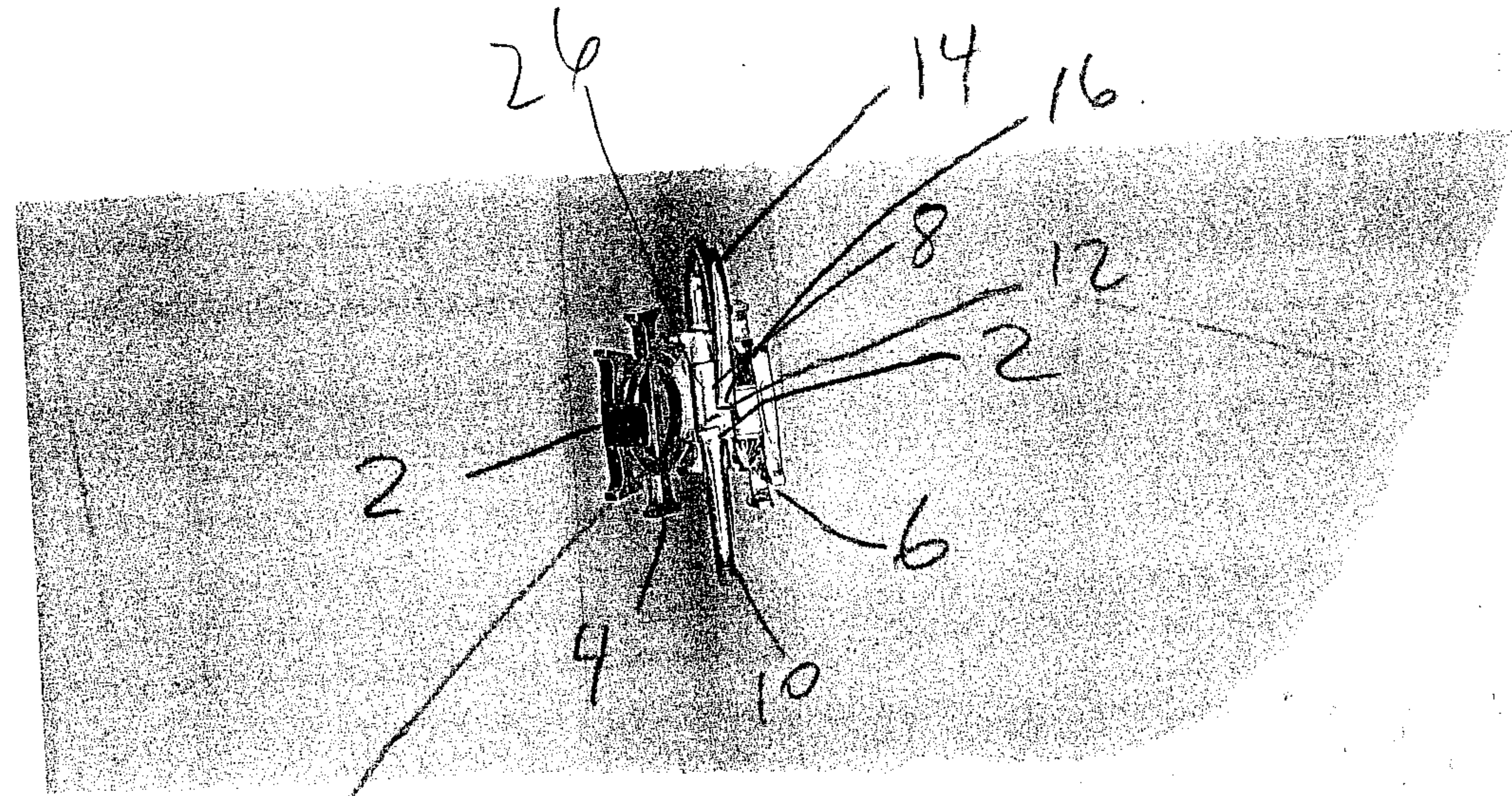


FIG 3

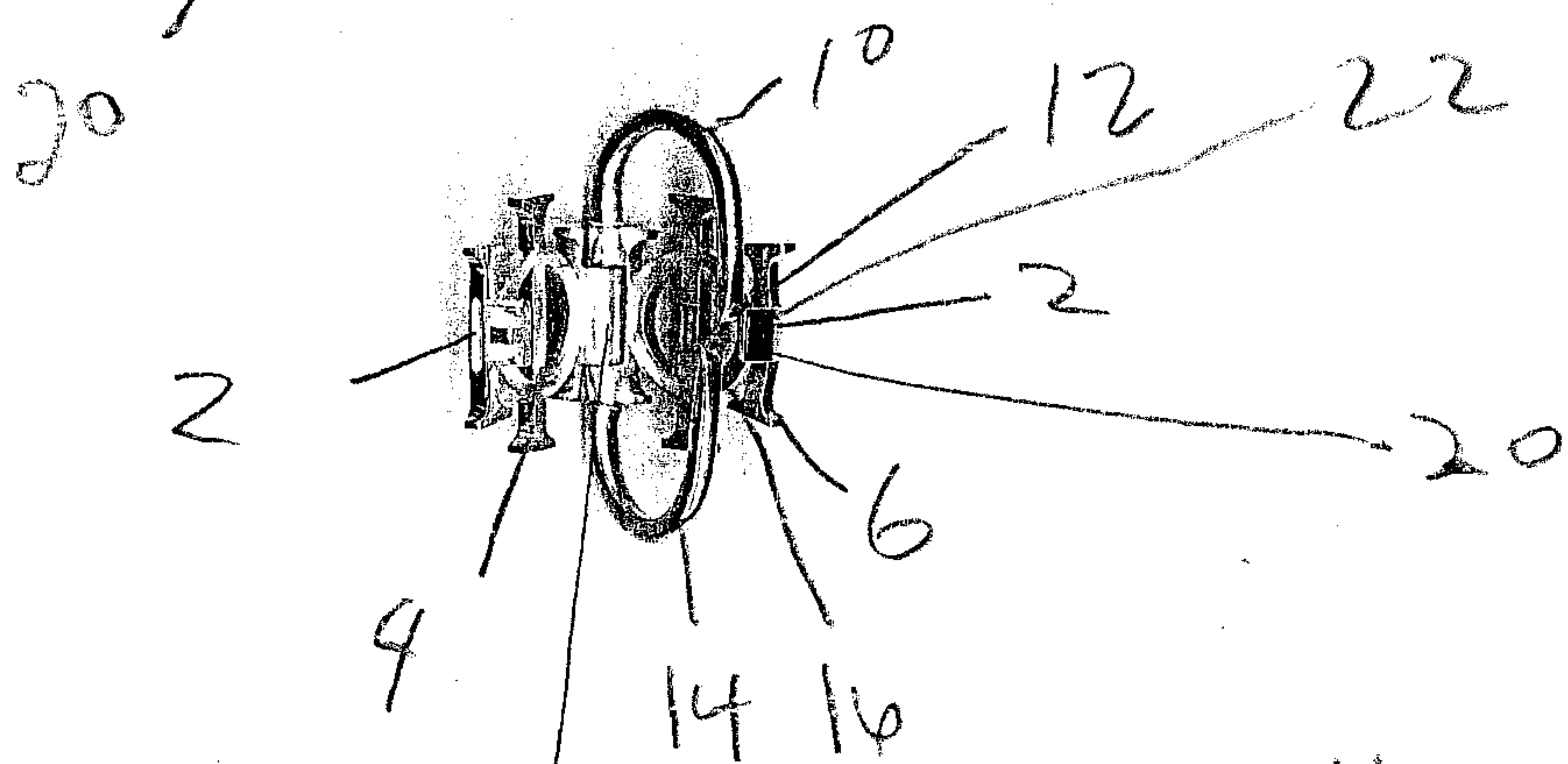


FIG 2

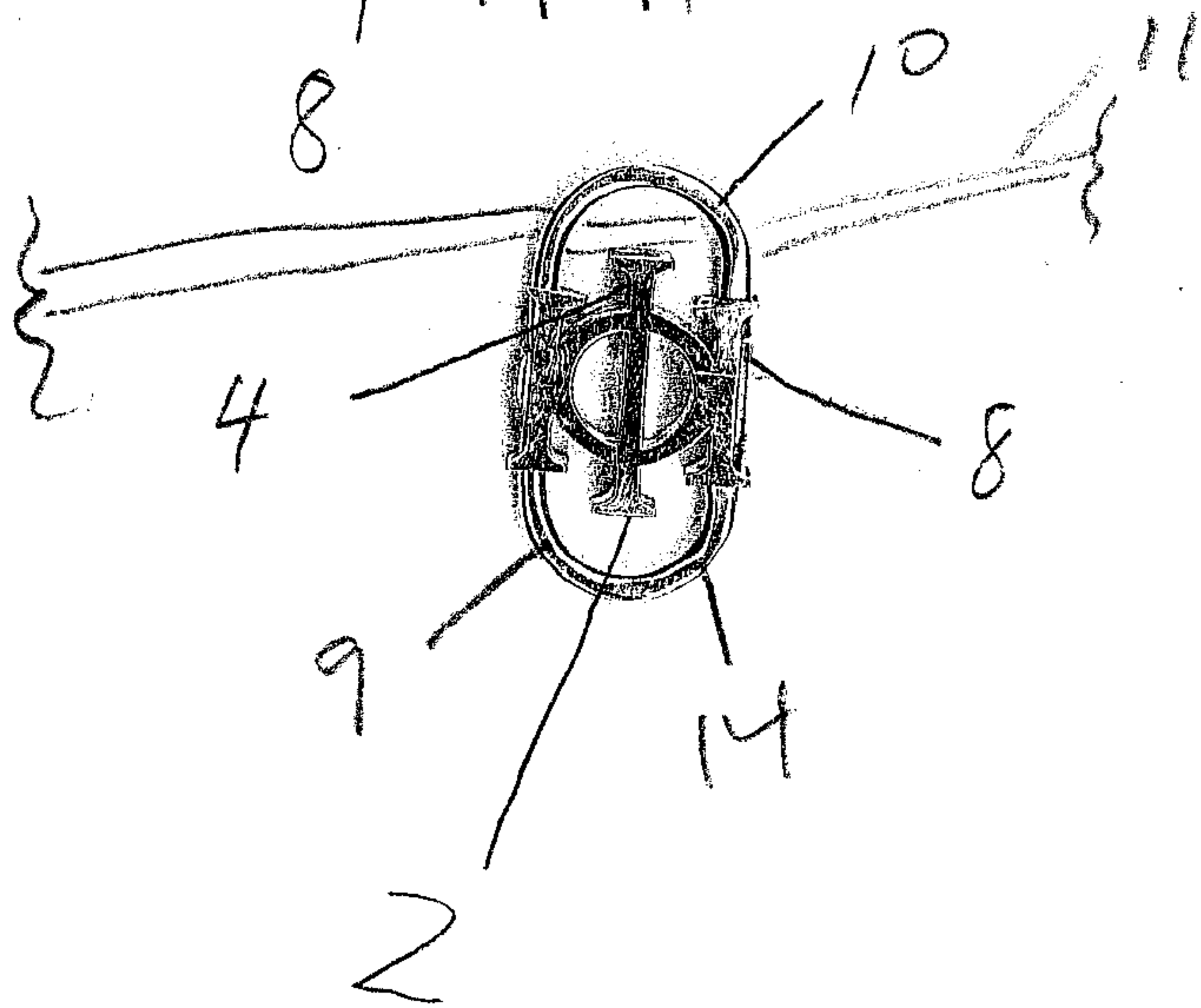


FIG 1

