



US00D775321S

(12) **United States Design Patent**
Haaf et al.

(10) **Patent No.:** **US D775,321 S**

(45) **Date of Patent:** **** Dec. 27, 2016**

(54) **VENTILATION GRID**

(71) Applicant: **ebm-papst Mulfingen GmbH & Co. KG**, Mulfingen (DE)

(72) Inventors: **Oliver Haaf**, Kupferzell (DE);
Thorsten Pissarczyk, Gemmingen (DE); **Sven Beck**, Krautheim (DE);
Christian Weiss, Mulfingen-Jagstberg (DE)

(73) Assignee: **EBM-PAPST MULFINGEN GMBH & CO. KG**, Mulfingen (DE)

(**) Term: **14 Years**

(21) Appl. No.: **29/517,203**

(22) Filed: **Feb. 11, 2015**

(30) **Foreign Application Priority Data**

Aug. 25, 2014 (EM) 002524538-0001
Aug. 25, 2014 (EM) 002524538-0002
Aug. 25, 2014 (EM) 002524538-0003
Aug. 25, 2014 (EM) 002524538-0004
Aug. 25, 2014 (EM) 002524538-0005
Aug. 25, 2014 (EM) 002524538-0006

(51) **LOC (10) Cl.** **23-04**

(52) **U.S. Cl.**
USPC **D23/412; D23/382**

(58) **Field of Classification Search**
USPC D23/411-414, 212, 213, 223, 229, 380,
D23/324, 330, 332, 335, 351, 353-369,
D23/370-379, 381-386, 388, 390, 393,
D23/499; D7/409, 667, 668; 454/241,
454/248, 249, 254, 256, 264, 265, 275,
454/277, 292, 296; 362/96; D14/140, 142,
D14/148, 149, 172, 194, 195, 204, 209,
D14/210, 215, 216, 217, 219, 225,
D14/257, 496; D15/28; D26/119; D28/18;
415/119; 416/247 R

CPC F04D 29/005; F04D 29/703; F04D 29/646;
F04D 29/668; F04D 25/08; F24F 13/20;
F24F 13/06; F24F 13/082; F24F 7/06;
H04R 1/02; H04R 1/28; H04R 2201/021;
B01D 2279/35; F16P 1/02
See application file for complete search history.

(56) **References Cited**

U.S. PATENT DOCUMENTS

D97,118 S * 10/1935 Cohen D23/412
2,343,820 A * 3/1944 Thornton F24F 6/06
239/220
D182,209 S * 2/1958 Stanley D23/412
2,857,095 A * 10/1958 Suarez Grau F04D 29/646
248/126
D195,974 S * 8/1963 Spilman D14/228
D201,322 S * 6/1965 Knapp D23/412
D261,803 S * 11/1981 Bohanon, Jr. D23/393
4,838,151 A * 6/1989 Shin-Chin F04D 25/12
454/200
D313,468 S * 1/1991 Chaney D23/412

(Continued)

FOREIGN PATENT DOCUMENTS

DE 10111397 A1 * 9/2002 F04D 29/00
DE 202014103877 U1 * 10/2014 F04D 29/70

Primary Examiner — Susan Bennett Hattan

Assistant Examiner — Marie Fast Horse

(74) *Attorney, Agent, or Firm* — Scully Scott Murphy and Presser; Frank Digiglio

(57) **CLAIM**

The ornamental design for a ventilation grid, as shown.

DESCRIPTION

FIG. 1 is a perspective view of a ventilation grid showing a first embodiment of our new and ornamental design;
FIG. 2 is a front view thereof;
FIG. 3 is a rear view thereof;
FIG. 4 is a side view thereof;
FIG. 5 is a perspective view of a second embodiment of our design;

(Continued)

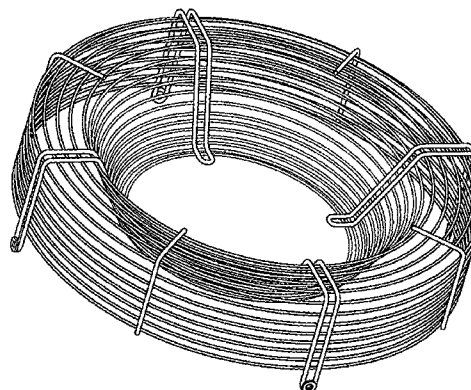
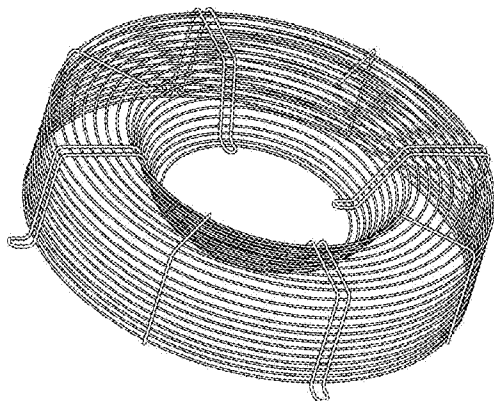


FIG. 6 is a front view of FIG. 5;
 FIG. 7 is a rear view of FIG. 5; and,
 FIG. 8 is a side view of FIG. 5.

1 Claim, 4 Drawing Sheets

(56)

References Cited

U.S. PATENT DOCUMENTS

D391,359 S * 2/1998 Teng D23/328
 6,036,444 A * 3/2000 Barney F04D 29/703
 415/121.2
 D435,095 S * 12/2000 Nanjo D23/351
 D534,632 S * 1/2007 David D23/351
 D594,965 S * 6/2009 Bucher D23/411
 D604,822 S * 11/2009 Lee D23/351
 D605,271 S * 12/2009 Sata D23/351
 D607,981 S * 1/2010 Yamaguchi D23/351
 D628,685 S * 12/2010 Aoyama D23/351
 D629,097 S * 12/2010 Aoyama D23/412
 D650,225 S * 12/2011 Bartol D7/354

D684,808 S * 6/2013 Mehler D7/354
 D699,834 S * 2/2014 Pan D23/412
 D733,495 S * 7/2015 Tyson D7/354
 D734,986 S * 7/2015 Cotter D7/354
 2005/0271516 A1 * 12/2005 Chang F04D 29/703
 416/247 R
 2006/0013694 A1 * 1/2006 Eubank F04D 29/703
 416/247 R
 2006/0073018 A1 * 4/2006 Girod F04D 29/023
 416/146 R
 2007/0092375 A1 * 4/2007 Liu F04D 25/08
 416/63
 2011/0002784 A1 * 1/2011 Yu F04D 25/105
 416/100
 2013/0004349 A1 * 1/2013 Haaf F04D 29/329
 417/423.7
 2013/0017073 A1 * 1/2013 Sauer F04D 29/646
 415/182.1
 2013/0022479 A1 * 1/2013 Haaf F04D 25/082
 417/369
 2013/0045085 A1 * 2/2013 Frank F04D 29/668
 415/119
 2013/0114245 A1 * 5/2013 Todd, Jr. F21V 33/0096
 362/96

* cited by examiner

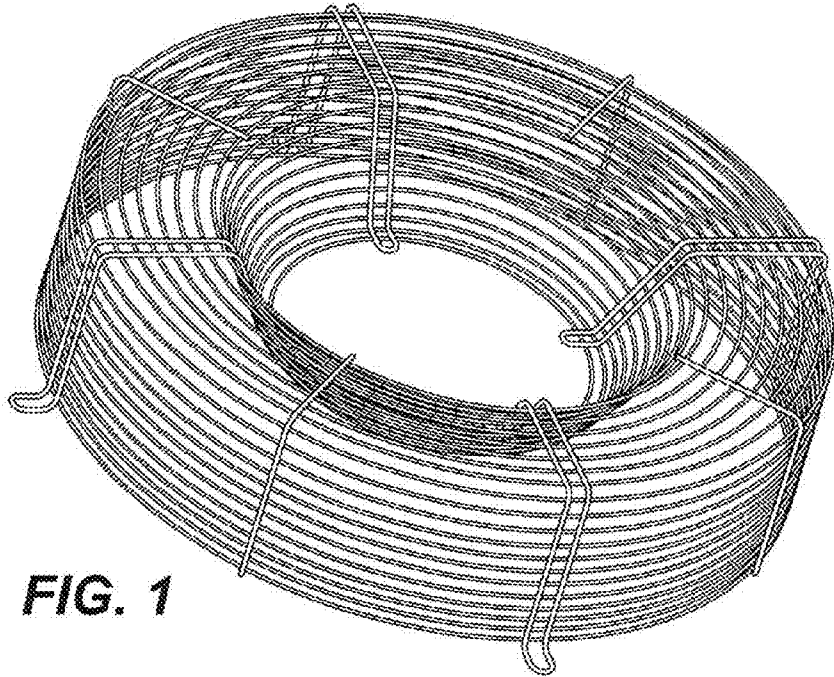


FIG. 1

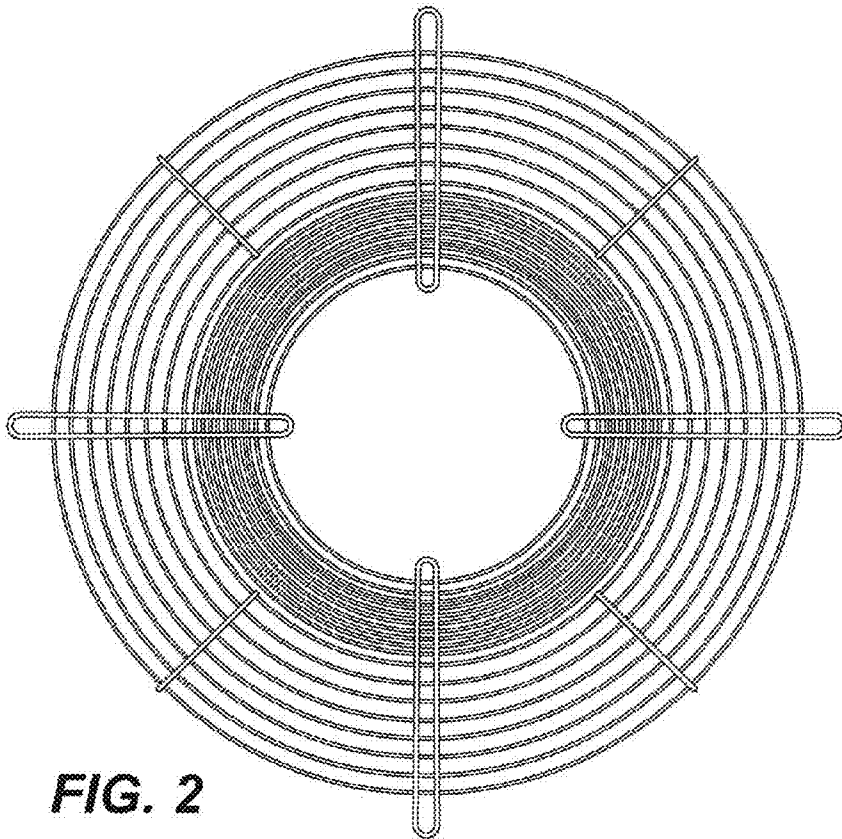


FIG. 2

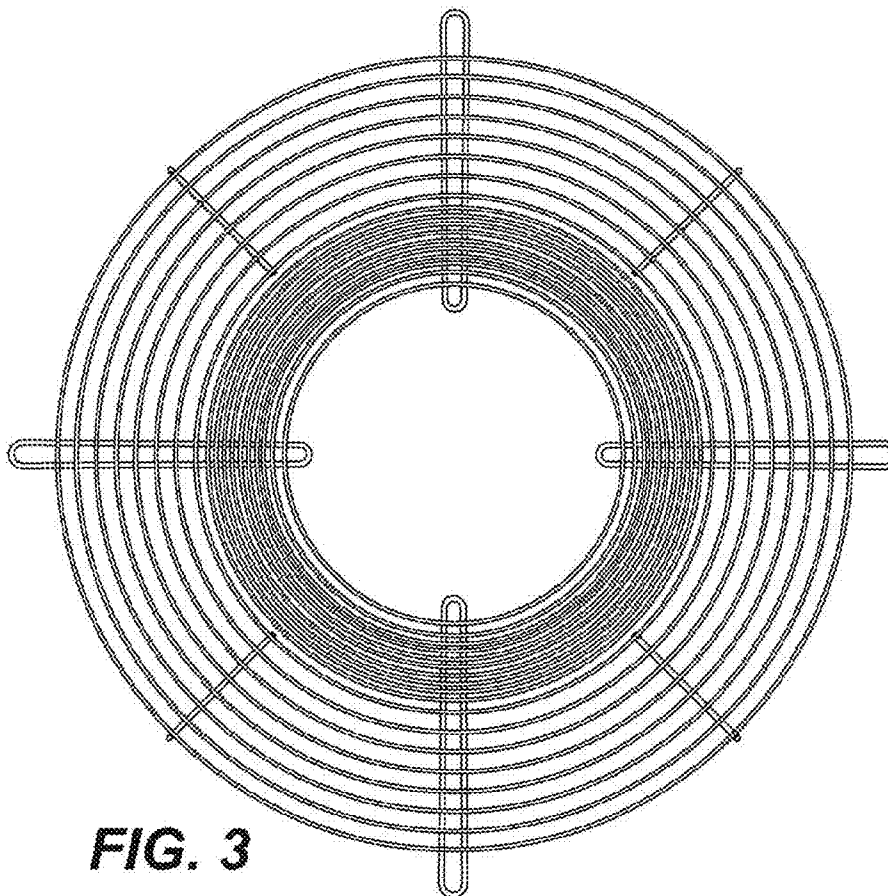


FIG. 3

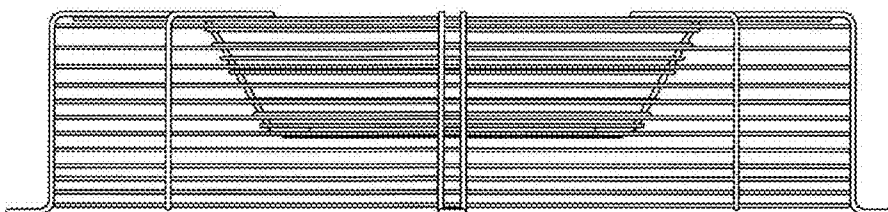


FIG. 4

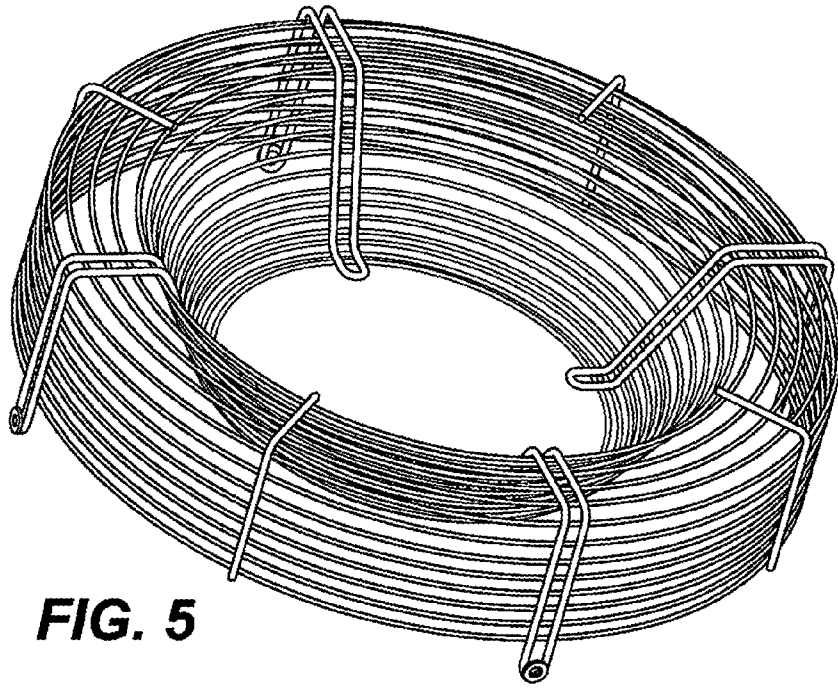


FIG. 5

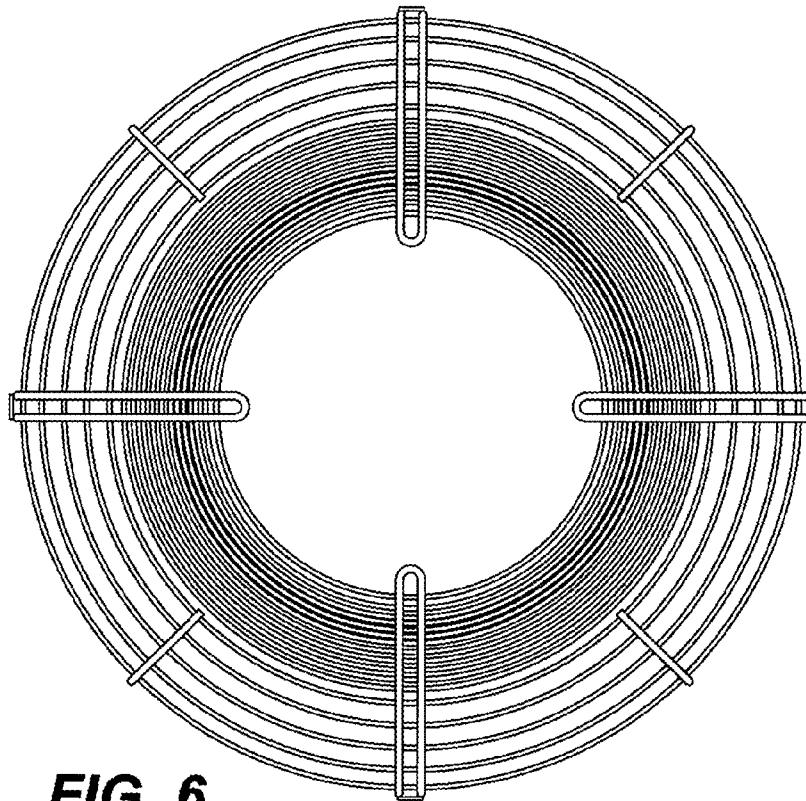


FIG. 6

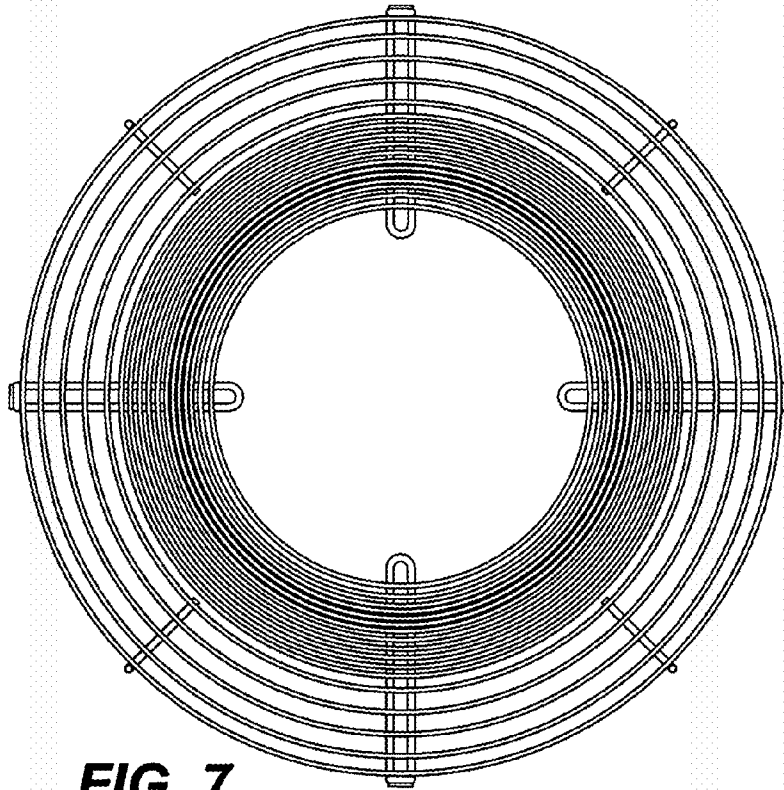


FIG. 7

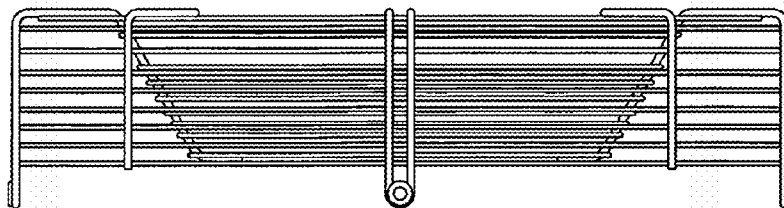


FIG. 8