

(19) World Intellectual Property Organization
International Bureau



(43) International Publication Date
24 January 2008 (24.01.2008)

PCT

(10) International Publication Number
WO 2008/011425 A3

(51) International Patent Classification:
A63B 57/00 (2006.01)

(21) International Application Number:
PCT/US2007/073714

(22) International Filing Date: 17 July 2007 (17.07.2007)

(25) Filing Language: English

(26) Publication Language: English

(30) Priority Data:
60/831,621 18 July 2006 (18.07.2006) US

(71) Applicant and

(72) Inventor: PALMER, David [US/US]; 3762 Bellaire Blvd,
Houston, TX 77025 (US).

(81) Designated States (unless otherwise indicated, for every
kind of national protection available): AE, AG, AL, AM,
AT, AU, AZ, BA, BB, BG, BH, BR, BW, BY, BZ, CA, CH,
CN, CO, CR, CU, CZ, DE, DK, DM, DO, DZ, EC, EE, EG,
ES, FI, GB, GD, GE, GH, GM, GT, HN, HR, HU, ID, IL,

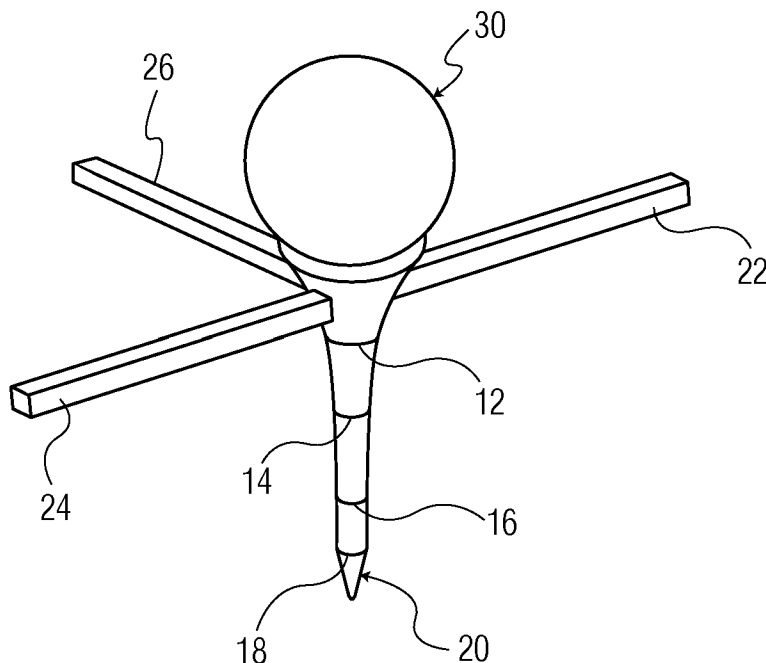
IN, IS, JP, KE, KG, KM, KN, KP, KR, KZ, LA, LC, LK,
LR, LS, LT, LU, LY, MA, MD, ME, MG, MK, MN, MW,
MX, MY, MZ, NA, NG, NI, NO, NZ, OM, PG, PH, PL,
PT, RO, RS, RU, SC, SD, SE, SG, SK, SL, SM, SV, SY,
TJ, TM, TN, TR, TT, TZ, UA, UG, US, UZ, VC, VN, ZA,
ZM, ZW.

(84) Designated States (unless otherwise indicated, for every
kind of regional protection available): ARIPO (BW, GH,
GM, KE, LS, MW, MZ, NA, SD, SL, SZ, TZ, UG, ZM,
ZW), Eurasian (AM, AZ, BY, KG, KZ, MD, RU, TJ, TM),
European (AT, BE, BG, CH, CY, CZ, DE, DK, EE, ES, FI,
FR, GB, GR, HU, IE, IS, IT, LT, LU, LV, MC, MT, NL, PL,
PT, RO, SE, SI, SK, TR), OAPI (BF, BJ, CF, CG, CI, CM,
GA, GN, GQ, GW, ML, MR, NE, SN, TD, TG).

Published:
— with international search report
— before the expiration of the time limit for amending the
claims and to be republished in the event of receipt of
amendments

(88) Date of publication of the international search report:
7 August 2008

(54) Title: GOLF TEE WITH BODY STANCE ALIGNMENT FEATURE



(57) Abstract: Disclosed is a system using a golf tee which has three arms (22, 24, 26), two of which extend in opposing directions orthogonal to, and from opposing sides of the vertical shaft of the tee (22, 24), and a third arm (26) extending in the same plane and orthogonal to the other two arms. The system is employed for alignment of a golf tee shot stance and swing, by setting the tee in the ground with the middle arm of the tee aligned with the line of intended golf ball flight to assist the golfer in taking a stance that promotes a line of flight for the ball along the target line, (ii) presides the goiter with a visual means of setting the tee in the ground to raise the ball to the desired height appropriate for desired ball distance travel.

WO 2008/011425 A3

INTERNATIONAL SEARCH REPORT

International application No.

PCT/US07/73714

A. CLASSIFICATION OF SUBJECT MATTER
 IPC: **A63B 69/36** (2006.01)

USPC: 473/398,400,257
 According to International Patent Classification (IPC) or to both national classification and IPC

B. FIELDS SEARCHED

Minimum documentation searched (classification system followed by classification symbols)
 U.S. : 473/398, 400, 257, 387, 394, 396, 397, 402

Documentation searched other than minimum documentation to the extent that such documents are included in the fields searched

Electronic data base consulted during the international search (name of data base and, where practicable, search terms used)

C. DOCUMENTS CONSIDERED TO BE RELEVANT

Category *	Citation of document, with indication, where appropriate, of the relevant passages	Relevant to claim No.
Y	US 3,993,144 A (LAZOW) 13 May 1975 (13.05.1975), see entire document.	1-10
Y	US 5,890,976 A (ANDERSON) 06 April 1999 (06.04.1999), see entire document.	1-10
Y	US 5,882,269 A (LEWIS) 16 March 1999 (16.03.1999), Figures 3, 5, 6; columns 5 and 6.	1-10

Further documents are listed in the continuation of Box C. See patent family annex.

* Special categories of cited documents:	
"A" document defining the general state of the art which is not considered to be of particular relevance	"T" later document published after the international filing date or priority date and not in conflict with the application but cited to understand the principle or theory underlying the invention
"E" earlier application or patent published on or after the international filing date	"X" document of particular relevance; the claimed invention cannot be considered novel or cannot be considered to involve an inventive step when the document is taken alone
"L" document which may throw doubts on priority claim(s) or which is cited to establish the publication date of another citation or other special reason (as specified)	"Y" document of particular relevance; the claimed invention cannot be considered to involve an inventive step when the document is combined with one or more other such documents, such combination being obvious to a person skilled in the art
"O" document referring to an oral disclosure, use, exhibition or other means	"&" document member of the same patent family
"P" document published prior to the international filing date but later than the priority date claimed	

Date of the actual completion of the international search 29 April 2008 (29.04.2008)	Date of mailing of the international search report 27 MAY 2008
Name and mailing address of the ISA/US Mail Stop PCT, Attn: ISA/US Commissioner for Patents P.O. Box 1450 Alexandria, Virginia 22313-1450 Facsimile No. (571) 273-3201	Authorized officer <i>Steven Wong</i> Telephone No. 571-272-2975