

(19) World Intellectual Property Organization  
International Bureau



(43) International Publication Date  
10 January 2002 (10.01.2002)

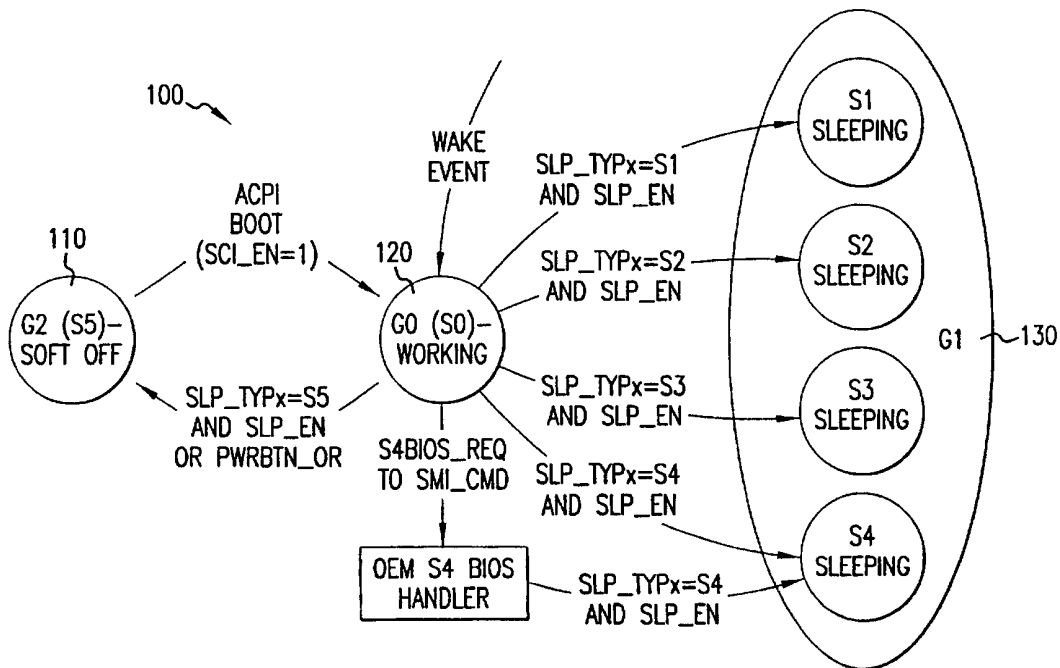
PCT

(10) International Publication Number  
WO 02/03182 A3

- (51) International Patent Classification<sup>7</sup>: G06F 1/32, 9/46
  - (21) International Application Number: PCT/US01/19909
  - (22) International Filing Date: 21 June 2001 (21.06.2001)
  - (25) Filing Language: English
  - (26) Publication Language: English
  - (30) Priority Data:  
09/607,335 30 June 2000 (30.06.2000) US
  - (71) Applicant (for all designated States except US): INTEL CORPORATION [US/US]; 2200 Mission College Boulevard, Santa Clara, CA 95052 (US).
  - (72) Inventors; and
  - (75) Inventors/Applicants (for US only): ERWERTZ, James [US/US]; 17635 NW Elk Run Drive, Portland, OR 97229 (US). LAMBINO, John [US/US]; 16845 SW Hargis Road, Beaverton, OR 97007 (US).
  - (74) Agents: HAILS, Robert, L., Jr. et al.; Kenyon & Kenyon, Suite 600, 333 West San Carlos Street, San Jose, CA 95110 (US).
  - (81) Designated States (national): AE, AG, AL, AM, AT, AU, AZ, BA, BB, BG, BR, BY, BZ, CA, CH, CN, CO, CR, CU, CZ, DE, DK, DM, DZ, EE, ES, FI, GB, GD, GE, GH, GM, HR, HU, ID, IL, IN, IS, JP, KE, KG, KP, KR, KZ, LC, LK, LR, LS, LT, LU, LV, MA, MD, MG, MK, MN, MW, MX, MZ, NO, NZ, PL, PT, RO, RU, SD, SE, SG, SI, SK, SL, TJ, TM, TR, TT, TZ, UA, UG, US, UZ, VN, YU, ZA, ZW.
  - (84) Designated States (regional): ARIPO patent (GH, GM, KE, LS, MW, MZ, SD, SL, SZ, TZ, UG, ZW), Eurasian patent (AM, AZ, BY, KG, KZ, MD, RU, TJ, TM), European patent (AT, BE, CH, CY, DE, DK, ES, FI, FR, GB, GR, IE, IT, LU, MC, NL, PT, SE, TR), OAPI patent (BF, BJ, CF, CG, CI, CM, GA, GN, GW, ML, MR, NE, SN, TD, TG).
- Published: — with international search report

[Continued on next page]

(54) Title: A METHOD AND APPARATUS FOR POWER MANAGEMENT



(57) Abstract: A method and apparatus provides hardware-configured wake-up events for a computer operating system compliant with an advanced configuration and power interface (ACPI) protocol without requiring additional hardware. The method and apparatus includes generation of a system management interrupt (SMI) during normal ACPI working-to-sleep transition allowing a basic input-output system (BIOS) circuit to enable additional wake-up events independent of the computer operating system.

WO 02/03182 A3



**(88) Date of publication of the international search report:**  
16 May 2002

*For two-letter codes and other abbreviations, refer to the "Guidance Notes on Codes and Abbreviations" appearing at the beginning of each regular issue of the PCT Gazette.*

## INTERNATIONAL SEARCH REPORT

International Application No

PCT/US 01/19909

A. CLASSIFICATION OF SUBJECT MATTER  
 IPC 7 G06F1/32 G06F9/46

According to International Patent Classification (IPC) or to both national classification and IPC

## B. FIELDS SEARCHED

Minimum documentation searched (classification system followed by classification symbols)

IPC 7 G06F

Documentation searched other than minimum documentation to the extent that such documents are included in the fields searched

Electronic data base consulted during the international search (name of data base and, where practical, search terms used)

EPO-Internal, WPI Data, PAJ, INSPEC

## C. DOCUMENTS CONSIDERED TO BE RELEVANT

Category *	Citation of document, with indication, where appropriate, of the relevant passages	Relevant to claim No.
X	EP 0 973 086 A (HEWLETT-PACKARD COMPANY) 19 January 2000 (2000-01-19) the whole document	1-17
A	EP 0 908 823 A (COMPAQ COMPUTER CORP) 14 April 1999 (1999-04-14) the whole document	1-17
A	US 6 065 121 A (BATTLES JOHN D ET AL) 16 May 2000 (2000-05-16) column 3, line 60 -column 4, line 6	1-17
P,A	US 6 122 748 A (HOBSON LOUIS B) 19 September 2000 (2000-09-19) the whole document	1-17
	-/--	

Further documents are listed in the continuation of box C.

Patent family members are listed in annex.

\* Special categories of cited documents:

\*A\* document defining the general state of the art which is not considered to be of particular relevance

\*E\* earlier document but published on or after the international filing date

\*L\* document which may throw doubts on priority claim(s) or which is cited to establish the publication date of another citation or other special reason (as specified)

\*O\* document referring to an oral disclosure, use, exhibition or other means

\*P\* document published prior to the international filing date but later than the priority date claimed

\*T\* later document published after the international filing date or priority date and not in conflict with the application but cited to understand the principle or theory underlying the invention

\*X\* document of particular relevance; the claimed invention cannot be considered novel or cannot be considered to involve an inventive step when the document is taken alone

\*Y\* document of particular relevance; the claimed invention cannot be considered to involve an inventive step when the document is combined with one or more other such documents, such combination being obvious to a person skilled in the art.

\*&\* document member of the same patent family

Date of the actual completion of the international search

13 December 2001

Date of mailing of the international search report

27/12/2001

Name and mailing address of the ISA

European Patent Office, P.B. 5818 Patentlaan 2  
 NL - 2280 HV Rijswijk  
 Tel. (+31-70) 340-2040, Tx. 31 651 epo nl,  
 Fax: (+31-70) 340-3016

Authorized officer

Absalom, R

INTERNATIONAL SEARCH REPORT

International Application No  
PCT/US 01/19909

C.(Continuation) DOCUMENTS CONSIDERED TO BE RELEVANT		
Category °	Citation of document, with indication, where appropriate, of the relevant passages	Relevant to claim No.
A	<p>"PERSONAL COMPUTER WAKING UP SCHEME FOR ACPI OPERATING SYSTEM" RESEARCH DISCLOSURE, KENNETH MASON PUBLICATIONS, HAMPSHIRE, GB, no. 416, December 1998 (1998-12), page 1685 XP000834147 ISSN: 0374-4353 the whole document</p> <p>-----</p>	1-17

# INTERNATIONAL SEARCH REPORT

Information on patent family members

Inte. onal Application No

PCT/US 01/19909

Patent document cited in search report	Publication date	Patent family member(s)	Publication date	
EP 973086	A	19-01-2000	EP 0973086 A1	19-01-2000
EP 0908823	A	14-04-1999	US 6055643 A	25-04-2000
			EP 0908823 A1	14-04-1999
			JP 11161384 A	18-06-1999
US 6065121	A	16-05-2000	NONE	
US 6122748	A	19-09-2000	NONE	