



(51) International Patent Classification:

A61B 17/072 (2006.01) A61B 17/00 (2006.01)  
A61B 90/00 (2016.01)

(21) International Application Number:

PCT/US2017/027934

(22) International Filing Date:

17 April 2017 (17.04.2017)

(25) Filing Language:

English

(26) Publication Language:

English

(30) Priority Data:

15/131,311 18 April 2016 (18.04.2016) US

(71) Applicant: **ETHICON LLC** [US/US]; #475 Street C, Suite 401, Los Frailes Industrial Park, Guaynabo, USA, 00969 (PR).

(72) Inventors: **HARRIS, Jason L.**; 4545 Creek Road, Cincinnati, Ohio 45242 (US). **SHELTON, IV, Frederick E.**; 4545 Creek Road, Cincinnati, Ohio 45242 (US). **HESS, Christopher J.**; 4545 Creek Road, Cincinnati, Ohio 45242

(US). **MORGAN, Jerome R.**; 4545 Creek Road, Cincinnati, Ohio 45242 (US).

(74) Agent: **SHIRTZ, Joseph F.** et al.; Johnson & Johnson, One Johnson & Johnson Plaza, New Brunswick, New Jersey 08933 (US).

(81) Designated States (unless otherwise indicated, for every kind of national protection available): AE, AG, AL, AM, AO, AT, AU, AZ, BA, BB, BG, BH, BN, BR, BW, BY, BZ, CA, CH, CL, CN, CO, CR, CU, CZ, DE, DJ, DK, DM, DO, DZ, EC, EE, EG, ES, FI, GB, GD, GE, GH, GM, GT, HN, HR, HU, ID, IL, IN, IR, IS, JP, KE, KG, KH, KN, KP, KR, KW, KZ, LA, LC, LK, LR, LS, LU, LY, MA, MD, ME, MG, MK, MN, MW, MX, MY, MZ, NA, NG, NI, NO, NZ, OM, PA, PE, PG, PH, PL, PT, QA, RO, RS, RU, RW, SA, SC, SD, SE, SG, SK, SL, SM, ST, SV, SY, TH, TJ, TM, TN, TR, TT, TZ, UA, UG, US, UZ, VC, VN, ZA, ZM, ZW.

(84) Designated States (unless otherwise indicated, for every kind of regional protection available): ARIPO (BW, GH, GM, KE, LR, LS, MW, MZ, NA, RW, SD, SL, ST, SZ, TZ, UG, ZM, ZW), Eurasian (AM, AZ, BY, KG, KZ, RU, TJ, TM), European (AL, AT, BE, BG, CH, CY, CZ, DE, DK,

(54) Title: SURGICAL INSTRUMENT COMPRISING A LOCKOUT

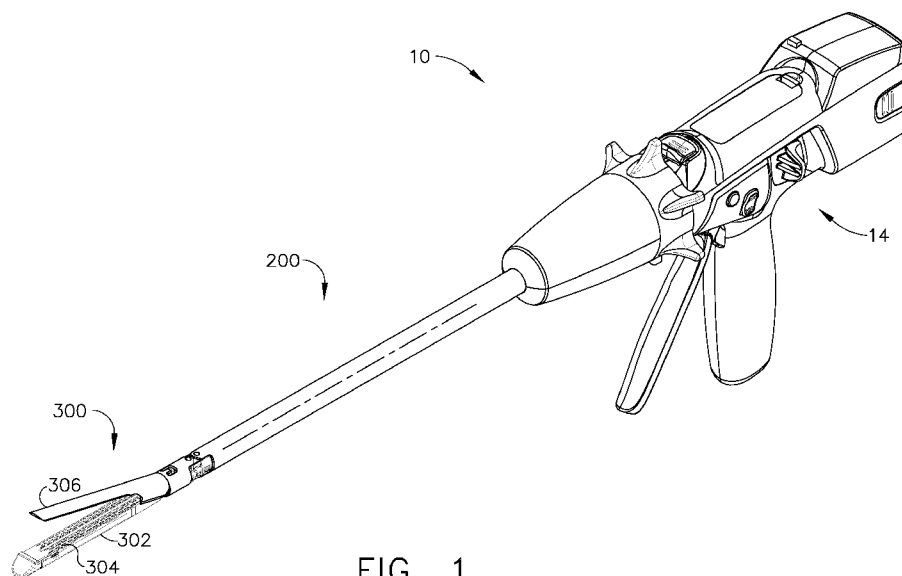


FIG. 1

(57) Abstract: A surgical stapling system comprising a lockout is disclosed. The lockout is configured to prevent the stapling system from performing a stapling firing function if an unspent staple cartridge is not fully seated in the stapling system. In various instances, the lockout is configured to permit the stapling system to perform a jaw clamping function even though an unspent staple cartridge is not fully seated in the stapling system.



EE, ES, FI, FR, GB, GR, HR, HU, IE, IS, IT, LT, LU, LV,  
MC, MK, MT, NL, NO, PL, PT, RO, RS, SE, SI, SK, SM,  
TR), OAPI (BF, BJ, CF, CG, CI, CM, GA, GN, GQ, GW,  
KM, ML, MR, NE, SN, TD, TG).

**Declarations under Rule 4.17:**

- *as to applicant's entitlement to apply for and be granted a patent (Rule 4.17(ii))*
- *as to the applicant's entitlement to claim the priority of the earlier application (Rule 4.17(iii))*

**Published:**

- *with international search report (Art. 21(3))*

**TITLE****SURGICAL INSTRUMENT COMPRISING A LOCKOUT****BACKGROUND**

[0001] The present invention relates to surgical instruments and, in various arrangements, to surgical stapling and cutting instruments and staple cartridges for use therewith that are designed to staple and cut tissue.

**BRIEF DESCRIPTION OF THE DRAWINGS**

[0002] Various features of the embodiments described herein, together with advantages thereof, may be understood in accordance with the following description taken in conjunction with the accompanying drawings as follows:

[0003] FIG. 1 is a perspective view of a surgical instrument system in accordance with at least one embodiment;

[0004] FIG. 2 is a perspective view of a portion of a rotary driven firing assembly and a sled of a surgical staple cartridge wherein the sled is in a starting position and the firing assembly is in a first “unlocked” position according to at least one embodiment;

[0005] FIG. 3 is another perspective view of the portion of the rotary driven firing assembly embodiment of FIG. 2 in a second “locked” position wherein the sled is not in the starting position;

[0006] FIG. 4 is a side elevational view of a surgical staple cartridge being initially installed in a surgical end effector that is configured to cut and staple tissue in accordance with at least one embodiment;

[0007] FIG. 5 is another side elevational view of the surgical staple cartridge seated in the channel of the surgical end effector of FIG. 4 wherein the sled of the surgical staple cartridge is in a starting position and in engagement with the firing member of the surgical instrument;

[0008] FIG. 6 is another side elevational view of a partially used surgical staple cartridge seated in the channel of the surgical end effector of FIG. 4 wherein the sled of the surgical staple cartridge is not in a starting position;

[0009] FIG. 7 is a perspective view of a portion of a rotary driven firing assembly and channel of a surgical cutting and stapling end effector wherein the firing assembly is in a “locked “ position in accordance with at least one embodiment;

[0010] FIG. 8 is another perspective view of a portion of the rotary driven firing assembly of FIG. 7 and a sled of a surgical staple cartridge wherein the sled is in a starting position and the firing assembly is in an “unlocked” position;

[0011] FIG. 9 is a perspective view of a threaded nut portion of in accordance with at least one embodiment;

[0012] FIG. 10 is a perspective view of the threaded nut portion of FIG. 9 being installed into a corresponding channel embodiment shown in cross-section;

[0013] FIG. 11 is a cross-sectional elevational view of a channel and threaded nut portion of FIG. 10 with the threaded nut portion in a locked position;

[0014] FIG. 12 is another cross-sectional elevational view of the channel and threaded nut portion of FIGS. 10 and 11 with the nut portion in an unlocked position;

- [0015] FIG. 13 is another cross-sectional elevational view of the channel and threaded nut portion of FIGS. 10-12 with the threaded nut portion in a locked position and illustrating the initial installation of a sled of a surgical staple cartridge into the channel with the cartridge body omitted for clarity;
- [0016] FIG. 14 is another cross-sectional elevational view of the channel, threaded nut portion and sled of FIG. 13 with the sled installed so as to move the nut portion to the unlocked position;
- [0017] FIG. 15 is a cross-sectional side elevational view of a surgical cutting and stapling end effector in accordance with at least one embodiment;
- [0018] FIG. 16 is an exploded perspective assembly view of an anvil assembly of the surgical end effector of FIG. 15;
- [0019] FIG. 17 is a cross-sectional view of the anvil assembly of FIG. 16;
- [0020] FIG. 18 is a cross-sectional view of the surgical end effector of FIG. 15 with a firing member assembly thereof in a locked position;
- [0021] FIG. 19 is another cross-sectional view of the surgical end effector of FIG. 18 taken at a proximal end thereof with the firing member assembly in an unlocked position;
- [0022] FIG. 20 is another cross-sectional view of the surgical end effector of FIG. 18 taken at a position that is distal to the view of FIG. 19;
- [0023] FIG. 21 is a perspective view of a surgical stapling instrument comprising a handle and a replaceable loading unit in accordance with at least one embodiment;
- [0024] FIG. 22 is a perspective view of the loading unit of FIG. 21 illustrated with a staple cartridge jaw detached from the loading unit;
- [0025] FIG. 23 is a perspective view of a surgical stapling instrument comprising a handle and a replaceable loading unit in accordance with at least one embodiment;
- [0026] FIG. 24 is a perspective view of the loading unit of FIG. 23;
- [0027] FIG. 25 illustrates the connection portions of the handle and loading unit of FIG. 23;
- [0028] FIG. 26 is a cross-sectional view of an end effector of the loading unit of FIG. 21;
- [0029] FIG. 27 is a detail view of the attachment between the staple cartridge jaw and a frame of the staple loading unit of FIG. 21;
- [0030] FIG. 28 is a cross-sectional view of an end effector of a loading unit in accordance with at least one embodiment;
- [0031] FIG. 29 is a detail view of the attachment between a staple cartridge jaw and a frame of the loading unit of FIG. 28;
- [0032] FIG. 30 is a perspective view of the frame of the loading unit of FIG. 28;
- [0033] FIG. 31 is a detail view of the proximal end of the staple cartridge jaw of FIG. 28;
- [0034] FIG. 32 is a detail view illustrating the connection between the frame and the staple cartridge jaw of FIG. 28;
- [0035] FIG. 33 is an exploded view of a staple cartridge jaw in accordance with at least one embodiment;
- [0036] FIG. 34 is a partial perspective view of a loading unit in accordance with at least one embodiment;
- [0037] FIG. 35 is a partial elevational view of a frame of a loading unit in accordance with at least one embodiment illustrated without a staple cartridge jaw attached thereto;

- [0038] FIG. 36 is a partial elevational view of a staple cartridge jaw attached to the frame of the loading unit of FIG. 35;
- [0039] FIG. 37 is a partial elevational view of the loading unit of FIG. 35 illustrated in a clamped configuration;
- [0040] FIG. 38 is a partial elevational view of the loading unit of FIG. 35 illustrated in a partially-fired configuration;
- [0041] FIG. 39 is a partial elevational view of a frame of a loading unit in accordance with at least one embodiment illustrated without a staple cartridge jaw attached thereto;
- [0042] FIG. 40 is a partial elevational view of a staple cartridge jaw attached to the frame of the loading unit of FIG. 39;
- [0043] FIG. 41 is a partial elevational view of the loading unit of FIG. 39 illustrated in a clamped configuration;
- [0044] FIG. 42 is a partial elevational view of the loading unit of FIG. 39 illustrated in a partially-fired configuration;
- [0045] FIG. 43 is a partial perspective view of the loading unit of FIG. 39 illustrated with a staple cartridge jaw attached to the frame;
- [0046] FIG. 44 is a partial perspective view of a staple cartridge jaw being attached to a frame of a loading unit in accordance with at least one embodiment;
- [0047] FIG. 45 is a partial elevational view of an attempt to attach the staple cartridge jaw of FIG. 44 to a loading unit configured to receive a different staple cartridge jaw;
- [0048] FIG. 46 is a partial elevational view of the staple cartridge jaw of FIG. 44 attached to the frame of the loading unit of FIG. 44;
- [0049] FIG. 47 is a partial elevational view of a connection between a staple cartridge jaw and a frame of a loading unit in accordance with at least one embodiment;
- [0050] FIG. 48 is a partial elevational view of the loading unit of FIG. 47;
- [0051] FIG. 49 is a partial elevational view of a staple cartridge jaw configured to be used with a different loading unit other than the loading unit of FIG. 47 attached to the loading unit of FIG. 47;
- [0052] FIG. 50 is a partial elevational view of a surgical instrument system comprising a deflectable lockout arrangement illustrated in a locked configuration;
- [0053] FIG. 51 is a partial elevational view of the surgical instrument system of FIG. 50, wherein the lockout arrangement is illustrated in an unlocked configuration;
- [0054] FIG. 52 is a partial elevational view of a surgical instrument system comprising a magnetic lockout arrangement illustrated in a locked configuration;
- [0055] FIG. 53 is a partial elevational view of the surgical instrument system of FIG. 52, wherein the magnetic lockout arrangement is illustrated in an unlocked configuration;
- [0056] FIG. 54 is a partial elevational view of the surgical instrument system of FIG. 52, illustrated in a partially fired configuration;
- [0057] FIG. 55 is a partial perspective view of a staple cartridge for a surgical instrument system, wherein the staple cartridge comprises a driver configured to control a lockout arrangement of the surgical instrument system;
- [0058] FIG. 56 is a perspective view of a sled for use with the staple cartridge of FIG. 55;

- [0059] FIG. 57 is a perspective view of the false driver of the staple cartridge of FIG. 55;
- [0060] FIG. 58 is a partial elevational view of the surgical instrument system utilizing the staple cartridge of FIG. 55, wherein the surgical instrument system comprises a lockout arrangement configured to limit the movement of a firing member until a staple cartridge is loaded into the surgical instrument system;
- [0061] FIG. 59 is a partial elevational view of the surgical instrument system of FIG. 58, wherein the lockout arrangement is illustrated in an unlocked configuration;
- [0062] FIG. 60 is a partial elevational view of the surgical instrument system of FIG. 58, illustrated in a partially fired configuration;
- [0063] FIG. 61 is a partial perspective view of a staple cartridge for use with a surgical instrument system, wherein the surgical instrument system comprises a lockout circuit comprising a severable member;
- [0064] FIG. 62 is a cross-sectional plan view of the surgical instrument system of FIG. 61, wherein the surgical instrument system further comprises an electromagnet and a lockout member, wherein the lockout member is illustrated in an unlocked position, and wherein the lockout circuit is in a closed configuration;
- [0065] FIG. 63 is a cross-sectional plan view of the surgical instrument system of FIG. 61, wherein the lockout member is illustrated in a locked position, and wherein the lockout circuit is in an open configuration;
- [0066] FIG. 64 is a perspective view of a surgical instrument system, wherein the surgical instrument system comprises a circuit lockout arrangement comprising electrical contacts positioned on a sled for use with a staple cartridge;
- [0067] FIG. 65 is a partial elevational view of the surgical instrument system of FIG. 64;
- [0068] FIG. 66 is a partial cross-sectional view of a firing member lockout illustrating the firing member lockout in a locked configuration;
- [0069] FIG. 67 is a cross-sectional view of the firing member lockout of FIG. 66 taken along line 67-67 in FIG. 66;
- [0070] FIG. 68 is a partial cross-sectional view of the firing member lockout of FIG. 66 illustrating the firing member lockout in an unlocked configuration;
- [0071] FIG. 69 is a cross-sectional view of the firing member lockout of FIG. 66 taken along line 69-69 in FIG. 68;
- [0072] FIG. 70 is a cross-sectional plan view of the firing member lockout of FIG. 66 taken along line 70-70 in FIG. 68;
- [0073] FIG. 71 is a partial elevational view of a stapling assembly comprising an unspent staple cartridge in accordance with at least one embodiment;
- [0074] FIG. 72 is a partial plan view of the stapling assembly of FIG. 71;
- [0075] FIG. 73 is a partial elevational view of the stapling assembly of FIG. 71 illustrated in a spent condition;
- [0076] FIG. 74 is a partial plan view of the stapling assembly of FIG. 71 illustrated in the condition of FIG. 73;
- [0077] FIG. 75 is a partial perspective view of a stapling assembly comprising an unspent staple cartridge in accordance with at least one embodiment;
- [0078] FIG. 76 is a partial perspective view of the stapling assembly of FIG. 75 illustrated in a spent condition;
- [0079] FIG. 77 is a partial perspective view of a stapling assembly illustrated with components removed for the purpose of illustration;

- [0080] FIG. 78 illustrates a pin of the stapling assembly of FIG. 77 configured to affect a detection circuit of the stapling assembly;
- [0081] FIG. 79 is a partial perspective view of certain components of the stapling assembly of FIG. 77;
- [0082] FIG. 80 is a partial perspective view of a shaft housing of the stapling assembly of FIG. 77;
- [0083] FIG. 81 is a partial plan view of a staple cartridge in accordance with at least one embodiment;
- [0084] FIG. 81A illustrates a firing force profile that is experienced when firing a staple cartridge in at least one embodiment;
- [0085] FIG. 82 is a partial cross-sectional view of a stapling assembly comprising a lockout in accordance with at least one embodiment;
- [0086] FIG. 83 is a partial cross-sectional view of the stapling assembly of FIG. 82 illustrated in a locked out configuration;
- [0087] FIG. 84 is a partial cross-sectional view of a stapling assembly comprising a lockout in accordance with at least one embodiment;
- [0088] FIG. 85 is a partial cross-sectional view of a stapling assembly comprising a lockout in accordance with at least one embodiment;
- [0089] FIG. 86 is a partial cross-sectional view of a stapling assembly comprising a brake in accordance with at least one embodiment;
- [0090] FIG. 87 is a partial cross-sectional view of a stapling assembly comprising a damping system in accordance with at least one embodiment;
- [0091] FIG. 88 is a schematic illustrating a stapling assembly comprising an electromagnetic brake in accordance with at least one embodiment;
- [0092] FIG. 89 is a partial cross-sectional view of a stapling assembly comprising a damping system in accordance with at least one embodiment;
- [0093] FIG. 90 is an electrical circuit configured to detect the position and progression of a staple firing member illustrating the staple firing member in a fully fired position;
- [0094] FIG. 91 illustrates the staple firing member of FIG. 90 in a fully retracted position;
- [0095] FIG. 92 is a cross-sectional view of a stapling assembly comprising a lockout in accordance with at least one embodiment illustrated in an unlocked configuration;
- [0096] FIG. 93 is a cross-sectional end view of the stapling assembly of FIG. 92 illustrated in its unlocked configuration;
- [0097] FIG. 94 is a cross-sectional view of the stapling assembly of FIG. 92 illustrated in a locked configuration; and
- [0098] FIG. 95 is a cross-sectional end view of the stapling assembly of FIG. 92 illustrated in its locked configuration.
- [0099] Corresponding reference characters indicate corresponding parts throughout the several views. The exemplifications set out herein illustrate various embodiments of the invention, in one form, and such exemplifications are not to be construed as limiting the scope of the invention in any manner.

**DETAILED DESCRIPTION**

**[0100]** The Applicant of the present application owns the following U.S. Patent Applications that were filed on even date herewith and which are each herein incorporated by reference in their respective entireties:

- U.S. Patent Application Serial No. \_\_\_\_\_, entitled SURGICAL INSTRUMENT COMPRISING A PRIMARY FIRING LOCKOUT AND A SECONDARY FIRING LOCKOUT; Attorney Docket No. END7787USNP/150522;
- U.S. Patent Application Serial No. \_\_\_\_\_, entitled SURGICAL INSTRUMENT SYSTEM COMPRISING A MAGNETIC LOCKOUT; Attorney Docket No. END7789USNP/150503;
- U.S. Patent Application Serial No. \_\_\_\_\_, entitled SURGICAL INSTRUMENT COMPRISING A REPLACEABLE CARTRIDGE JAW; Attorney Docket No. END7790USNP/150504; and
- U.S. Patent Application Serial No. \_\_\_\_\_, entitled CARTRIDGE LOCKOUT ARRANGEMENTS FOR ROTARY POWERED SURGICAL CUTTING AND STAPLING INSTRUMENTS; Attorney Docket No. END7791USNP/150505.

**[0101]** Applicant of the present application owns the following patent applications that were filed on April 15, 2016 and which are each herein incorporated by reference in their respective entireties:

- U.S. Patent Application Serial No. 15/130,575, entitled STAPLE FORMATION DETECTION MECHANISMS;
- U.S. Patent Application Serial No. 15/130,582, entitled SURGICAL INSTRUMENT WITH DETECTION SENSORS;
- U.S. Patent Application Serial No. 15/130,588, entitled SURGICAL INSTRUMENT WITH IMPROVED STOP/START CONTROL DURING A FIRING MOTION;
- U.S. Patent Application Serial No. 15/130,595, entitled SURGICAL INSTRUMENT WITH ADJUSTABLE STOP/START CONTROL DURING A FIRING MOTION;
- U.S. Patent Application Serial No. 15/130,566, entitled SURGICAL INSTRUMENT WITH MULTIPLE PROGRAM RESPONSES DURING A FIRING MOTION;
- U.S. Patent Application Serial No. 15/130,571, entitled SURGICAL INSTRUMENT WITH MULTIPLE PROGRAM RESPONSES DURING A FIRING MOTION;
- U.S. Patent Application Serial No. 15/130,581, entitled MODULAR SURGICAL INSTRUMENT WITH CONFIGURABLE OPERATING MODE;
- U.S. Patent Application Serial No. 15/130,590, entitled SYSTEMS AND METHODS FOR CONTROLLING A SURGICAL STAPLING AND CUTTING INSTRUMENT; and
- U.S. Patent Application Serial No. 15/130,596, entitled SYSTEMS AND METHODS FOR CONTROLLING A SURGICAL STAPLING AND CUTTING INSTRUMENT.

**[0102]** The Applicant of the present application owns the following U.S. Patent Applications that were filed on April 1, 2016 and which are each herein incorporated by reference in their respective entireties:

- U.S. Patent Application Serial No. 15/089,325, entitled METHOD FOR OPERATING A SURGICAL STAPLING SYSTEM;



- U.S. Patent Application Serial No. 15/089,321, entitled MODULAR SURGICAL STAPLING SYSTEM COMPRISING A DISPLAY;
- U.S. Patent Application Serial No. 15/089,326, entitled SURGICAL STAPLING SYSTEM COMPRISING A DISPLAY INCLUDING A RE-ORIENTABLE DISPLAY FIELD;
- U.S. Patent Application Serial No. 15/089,263, entitled SURGICAL INSTRUMENT HANDLE ASSEMBLY WITH RECONFIGURABLE GRIP PORTION;
- U.S. Patent Application Serial No. 15/089,262, entitled ROTARY POWERED SURGICAL INSTRUMENT WITH MANUALLY ACTUATABLE BAILOUT SYSTEM;
- U.S. Patent Application Serial No. 15/089,277, entitled SURGICAL CUTTING AND STAPLING END EFFECTOR WITH ANVIL CONCENTRIC DRIVE MEMBER;
- U.S. Patent Application Serial No. 15/089,283, entitled CLOSURE SYSTEM ARRANGEMENTS FOR SURGICAL CUTTING AND STAPLING DEVICES WITH SEPARATE AND DISTINCT FIRING SHAFTS;
- U.S. Patent Application Serial No. 15/089,296, entitled INTERCHANGEABLE SURGICAL TOOL ASSEMBLY WITH A SURGICAL END EFFECTOR THAT IS SELECTIVELY ROTATABLE ABOUT A SHAFT AXIS;
- U.S. Patent Application Serial No. 15/089,258, entitled SURGICAL STAPLING SYSTEM COMPRISING A SHIFTABLE TRANSMISSION;
- U.S. Patent Application Serial No. 15/089,278, entitled SURGICAL STAPLING SYSTEM CONFIGURED TO PROVIDE SELECTIVE CUTTING OF TISSUE;
- U.S. Patent Application Serial No. 15/089,284, entitled SURGICAL STAPLING SYSTEM COMPRISING A CONTOURABLE SHAFT;
- U.S. Patent Application Serial No. 15/089,295, entitled SURGICAL STAPLING SYSTEM COMPRISING A TISSUE COMPRESSION LOCKOUT;
- U.S. Patent Application Serial No. 15/089,300, entitled SURGICAL STAPLING SYSTEM COMPRISING AN UNCLAMPING LOCKOUT;
- U.S. Patent Application Serial No. 15/089,196 entitled SURGICAL STAPLING SYSTEM COMPRISING A JAW CLOSURE LOCKOUT;
- U.S. Patent Application Serial No. 15/089,203, entitled SURGICAL STAPLING SYSTEM COMPRISING A JAW ATTACHMENT LOCKOUT;
- U.S. Patent Application Serial No. 15/089,210, entitled SURGICAL STAPLING SYSTEM COMPRISING A SPENT CARTRIDGE LOCKOUT;
- U.S. Patent Application Serial No. 15/089,324, entitled SURGICAL INSTRUMENT COMPRISING A SHIFTING MECHANISM;
- U.S. Patent Application Serial No. 15/089,335, entitled SURGICAL STAPLING INSTRUMENT COMPRISING MULTIPLE LOCKOUTS;
- U.S. Patent Application Serial No. 15/089,339, entitled SURGICAL STAPLING INSTRUMENT;
- U.S. Patent Application Serial No. 15/089,253, entitled SURGICAL STAPLING SYSTEM CONFIGURED TO APPLY ANNULAR ROWS OF STAPLES HAVING DIFFERENT HEIGHTS;

- U.S. Patent Application Serial No. 15/089,304, entitled SURGICAL STAPLING SYSTEM COMPRISING A GROOVED FORMING POCKET;
- U.S. Patent Application Serial No. 15/089,331, entitled ANVIL MODIFICATION MEMBERS FOR SURGICAL STAPLERS;
- U.S. Patent Application Serial No. 15/089,336, entitled STAPLE CARTRIDGES WITH ATRAUMATIC FEATURES;
- U.S. Patent Application Serial No. 15/089,312, entitled CIRCULAR STAPLING SYSTEM COMPRISING AN INCISABLE TISSUE SUPPORT;
- U.S. Patent Application Serial No. 15/089,309, entitled CIRCULAR STAPLING SYSTEM COMPRISING ROTARY FIRING SYSTEM; and
- U.S. Patent Application Serial No. 15/089,349, entitled CIRCULAR STAPLING SYSTEM COMPRISING LOAD CONTROL.

**[0103]** The Applicant of the present application also owns the U.S. Patent Applications identified below which were filed on December 31, 2015 which are each herein incorporated by reference in their respective entirety:

- U.S. Patent Application Serial No. 14/984,488, entitled MECHANISMS FOR COMPENSATING FOR BATTERY PACK FAILURE IN POWERED SURGICAL INSTRUMENTS;
- U.S. Patent Application Serial No. 14/984,525, entitled MECHANISMS FOR COMPENSATING FOR DRIVETRAIN FAILURE IN POWERED SURGICAL INSTRUMENTS; and
- U.S. Patent Application Serial No. 14/984,552, entitled SURGICAL INSTRUMENTS WITH SEPARABLE MOTORS AND MOTOR CONTROL CIRCUITS.

**[0104]** The Applicant of the present application also owns the U.S. Patent Applications identified below which were filed on February 9, 2016 which are each herein incorporated by reference in their respective entirety:

- U.S. Patent Application Serial No. 15/019,220, entitled SURGICAL INSTRUMENT WITH ARTICULATING AND AXIALLY TRANSLATABLE END EFFECTOR;
- U.S. Patent Application Serial No. 15/019,228, entitled SURGICAL INSTRUMENTS WITH MULTIPLE LINK ARTICULATION ARRANGEMENTS;
- U.S. Patent Application Serial No. 15/019,196, entitled SURGICAL INSTRUMENT ARTICULATION MECHANISM WITH SLOTTED SECONDARY CONSTRAINT;
- U.S. Patent Application Serial No. 15/019,206, entitled SURGICAL INSTRUMENTS WITH AN END EFFECTOR THAT IS HIGHLY ARTICULATABLE RELATIVE TO AN ELONGATE SHAFT ASSEMBLY;
- U.S. Patent Application Serial No. 15/019,215, entitled SURGICAL INSTRUMENTS WITH NON-SYMMETRICAL ARTICULATION ARRANGEMENTS;
- U.S. Patent Application Serial No. 15/019,227, entitled ARTICULATABLE SURGICAL INSTRUMENTS WITH SINGLE ARTICULATION LINK ARRANGEMENTS;
- U.S. Patent Application Serial No. 15/019,235, entitled SURGICAL INSTRUMENTS WITH TENSIONING ARRANGEMENTS FOR CABLE DRIVEN ARTICULATION SYSTEMS;
- U.S. Patent Application Serial No. 15/019,230, entitled ARTICULATABLE SURGICAL INSTRUMENTS WITH OFF-AXIS FIRING BEAM ARRANGEMENTS; and

- U.S. Patent Application Serial No. 15/019,245, entitled SURGICAL INSTRUMENTS WITH CLOSURE STROKE REDUCTION ARRANGEMENTS.

**[0105]** The Applicant of the present application also owns the U.S. Patent Applications identified below which were filed on February 12, 2016 which are each herein incorporated by reference in their respective entirety:

- U.S. Patent Application Serial No. 15/043,254, entitled MECHANISMS FOR COMPENSATING FOR DRIVETRAIN FAILURE IN POWERED SURGICAL INSTRUMENTS;
- U.S. Patent Application Serial No. 15/043,259, entitled MECHANISMS FOR COMPENSATING FOR DRIVETRAIN FAILURE IN POWERED SURGICAL INSTRUMENTS;
- U.S. Patent Application Serial No. 15/043,275, entitled MECHANISMS FOR COMPENSATING FOR DRIVETRAIN FAILURE IN POWERED SURGICAL INSTRUMENTS; and
- U.S. Patent Application Serial No. 15/043,289, entitled MECHANISMS FOR COMPENSATING FOR DRIVETRAIN FAILURE IN POWERED SURGICAL INSTRUMENTS.

**[0106]** Applicant of the present application owns the following patent applications that were filed on June 18, 2015 and which are each herein incorporated by reference in their respective entireties:

- U.S. Patent Application Serial No. 14/742,925, entitled SURGICAL END EFFECTORS WITH POSITIVE JAW OPENING ARRANGEMENTS;
- U.S. Patent Application Serial No. 14/742,941, entitled SURGICAL END EFFECTORS WITH DUAL CAM ACTUATED JAW CLOSING FEATURES;
- U.S. Patent Application Serial No. 14/742,914, entitled MOVABLE FIRING BEAM SUPPORT ARRANGEMENTS FOR ARTICULATABLE SURGICAL INSTRUMENTS;
- U.S. Patent Application Serial No. 14/742,900, entitled ARTICULATABLE SURGICAL INSTRUMENTS WITH COMPOSITE FIRING BEAM STRUCTURES WITH CENTER FIRING SUPPORT MEMBER FOR ARTICULATION SUPPORT;
- U.S. Patent Application Serial No. 14/742,885, entitled DUAL ARTICULATION DRIVE SYSTEM ARRANGEMENTS FOR ARTICULATABLE SURGICAL INSTRUMENTS; and
- U.S. Patent Application Serial No. 14/742,876, entitled PUSH/PULL ARTICULATION DRIVE SYSTEMS FOR ARTICULATABLE SURGICAL INSTRUMENTS.

**[0107]** Applicant of the present application owns the following patent applications that were filed on March 6, 2015 and which are each herein incorporated by reference in their respective entireties:

- U.S. Patent Application Serial No. 14/640,746, entitled POWERED SURGICAL INSTRUMENT;
- U.S. Patent Application Serial No. 14/640,795, entitled MULTIPLE LEVEL THRESHOLDS TO MODIFY OPERATION OF POWERED SURGICAL INSTRUMENTS;
- U.S. Patent Application Serial No. 14/640,832, entitled ADAPTIVE TISSUE COMPRESSION TECHNIQUES TO ADJUST CLOSURE RATES FOR MULTIPLE TISSUE TYPES; Attorney Docket No. END7557USNP/140482;
- U.S. Patent Application Serial No. 14/640,935, entitled OVERLAID MULTI SENSOR RADIO FREQUENCY (RF) ELECTRODE SYSTEM TO MEASURE TISSUE COMPRESSION;

- U.S. Patent Application Serial No. 14/640,831, entitled MONITORING SPEED CONTROL AND PRECISION INCREMENTING OF MOTOR FOR POWERED SURGICAL INSTRUMENTS;
- U.S. Patent Application Serial No. 14/640,859, entitled TIME DEPENDENT EVALUATION OF SENSOR DATA TO DETERMINE STABILITY, CREEP, AND VISCOELASTIC ELEMENTS OF MEASURES;
- U.S. Patent Application Serial No. 14/640,817, entitled INTERACTIVE FEEDBACK SYSTEM FOR POWERED SURGICAL INSTRUMENTS;
- U.S. Patent Application Serial No. 14/640,844, entitled CONTROL TECHNIQUES AND SUB-PROCESSOR CONTAINED WITHIN MODULAR SHAFT WITH SELECT CONTROL PROCESSING FROM HANDLE;
- U.S. Patent Application Serial No. 14/640,837, entitled SMART SENSORS WITH LOCAL SIGNAL PROCESSING;
- U.S. Patent Application Serial No. 14/640,765, entitled SYSTEM FOR DETECTING THE MIS-INSERTION OF A STAPLE CARTRIDGE INTO A SURGICAL STAPLER;
- U.S. Patent Application Serial No. 14/640,799, entitled SIGNAL AND POWER COMMUNICATION SYSTEM POSITIONED ON A ROTATABLE SHAFT; and
- U.S. Patent Application Serial No. 14/640,780, entitled SURGICAL INSTRUMENT COMPRISING A LOCKABLE BATTERY HOUSING.

**[0108]** Applicant of the present application owns the following patent applications that were filed on February 27, 2015, and which are each herein incorporated by reference in their respective entireties:

- U.S. Patent Application Serial No. 14/633,576, entitled SURGICAL INSTRUMENT SYSTEM COMPRISING AN INSPECTION STATION;
- U.S. Patent Application Serial No. 14/633,546, entitled SURGICAL APPARATUS CONFIGURED TO ASSESS WHETHER A PERFORMANCE PARAMETER OF THE SURGICAL APPARATUS IS WITHIN AN ACCEPTABLE PERFORMANCE BAND;
- U.S. Patent Application Serial No. 14/633,576, entitled SURGICAL CHARGING SYSTEM THAT CHARGES AND/OR CONDITIONS ONE OR MORE BATTERIES;
- U.S. Patent Application Serial No. 14/633,566, entitled CHARGING SYSTEM THAT ENABLES EMERGENCY RESOLUTIONS FOR CHARGING A BATTERY;
- U.S. Patent Application Serial No. 14/633,555, entitled SYSTEM FOR MONITORING WHETHER A SURGICAL INSTRUMENT NEEDS TO BE SERVICED;
- U.S. Patent Application Serial No. 14/633,542, entitled REINFORCED BATTERY FOR A SURGICAL INSTRUMENT;
- U.S. Patent Application Serial No. 14/633,548, entitled POWER ADAPTER FOR A SURGICAL INSTRUMENT;
- U.S. Patent Application Serial No. 14/633,526, entitled ADAPTABLE SURGICAL INSTRUMENT HANDLE;
- U.S. Patent Application Serial No. 14/633,541, entitled MODULAR STAPLING ASSEMBLY; and
- U.S. Patent Application Serial No. 14/633,562, entitled SURGICAL APPARATUS CONFIGURED TO TRACK AN END-OF-LIFE PARAMETER.

[0109] Applicant of the present application owns the following patent applications that were filed on December 18, 2014 and which are each herein incorporated by reference in their respective entireties:

- U.S. Patent Application Serial No. 14/574,478, entitled SURGICAL INSTRUMENT SYSTEMS COMPRISING AN ARTICULATABLE END EFFECTOR AND MEANS FOR ADJUSTING THE FIRING STROKE OF A FIRING;
- U.S. Patent Application Serial No. 14/574,483, entitled SURGICAL INSTRUMENT ASSEMBLY COMPRISING LOCKABLE SYSTEMS;
- U.S. Patent Application Serial No. 14/575,139, entitled DRIVE ARRANGEMENTS FOR ARTICULATABLE SURGICAL INSTRUMENTS;
- U.S. Patent Application Serial No. 14/575,148, entitled LOCKING ARRANGEMENTS FOR DETACHABLE SHAFT ASSEMBLIES WITH ARTICULATABLE SURGICAL END EFFECTORS;
- U.S. Patent Application Serial No. 14/575,130, entitled SURGICAL INSTRUMENT WITH AN ANVIL THAT IS SELECTIVELY MOVABLE ABOUT A DISCRETE NON-MOVABLE AXIS RELATIVE TO A STAPLE CARTRIDGE;
- U.S. Patent Application Serial No. 14/575,143, entitled SURGICAL INSTRUMENTS WITH IMPROVED CLOSURE ARRANGEMENTS;
- U.S. Patent Application Serial No. 14/575,117, entitled SURGICAL INSTRUMENTS WITH ARTICULATABLE END EFFECTORS AND MOVABLE FIRING BEAM SUPPORT ARRANGEMENTS;
- U.S. Patent Application Serial No. 14/575,154, entitled SURGICAL INSTRUMENTS WITH ARTICULATABLE END EFFECTORS AND IMPROVED FIRING BEAM SUPPORT ARRANGEMENTS;
- U.S. Patent Application Serial No. 14/574,493, entitled SURGICAL INSTRUMENT ASSEMBLY COMPRISING A FLEXIBLE ARTICULATION SYSTEM; and
- U.S. Patent Application Serial No. 14/574,500, entitled SURGICAL INSTRUMENT ASSEMBLY COMPRISING A LOCKABLE ARTICULATION SYSTEM.

[0110] Applicant of the present application owns the following patent applications that were filed on March 1, 2013 and which are each herein incorporated by reference in their respective entireties:

- U.S. Patent Application Serial No. 13/782,295, entitled ARTICULATABLE SURGICAL INSTRUMENTS WITH CONDUCTIVE PATHWAYS FOR SIGNAL COMMUNICATION, now U.S. Patent Application Publication No. 2014/0246471;
- U.S. Patent Application Serial No. 13/782,323, entitled ROTARY POWERED ARTICULATION JOINTS FOR SURGICAL INSTRUMENTS, now U.S. Patent Application Publication No. 2014/0246472;
- U.S. Patent Application Serial No. 13/782,338, entitled THUMBWHEEL SWITCH ARRANGEMENTS FOR SURGICAL INSTRUMENTS, now U.S. Patent Application Publication No. 2014/0249557;
- U.S. Patent Application Serial No. 13/782,499, entitled ELECTROMECHANICAL SURGICAL DEVICE WITH SIGNAL RELAY ARRANGEMENT, now U.S. Patent Application Publication No. 2014/0246474;
- U.S. Patent Application Serial No. 13/782,460, entitled MULTIPLE PROCESSOR MOTOR CONTROL FOR MODULAR SURGICAL INSTRUMENTS, now U.S. Patent Application Publication No. 2014/0246478;

- U.S. Patent Application Serial No. 13/782,358, entitled JOYSTICK SWITCH ASSEMBLIES FOR SURGICAL INSTRUMENTS, now U.S. Patent Application Publication No. 2014/0246477;
- U.S. Patent Application Serial No. 13/782,481, entitled SENSOR STRAIGHTENED END EFFECTOR DURING REMOVAL THROUGH TROCAR, now U.S. Patent Application Publication No. 2014/0246479;
- U.S. Patent Application Serial No. 13/782,518, entitled CONTROL METHODS FOR SURGICAL INSTRUMENTS WITH REMOVABLE IMPLEMENT PORTIONS, now U.S. Patent Application Publication No. 2014/0246475;
- U.S. Patent Application Serial No. 13/782,375, entitled ROTARY POWERED SURGICAL INSTRUMENTS WITH MULTIPLE DEGREES OF FREEDOM, now U.S. Patent Application Publication No. 2014/0246473; and
- U.S. Patent Application Serial No. 13/782,536, entitled SURGICAL INSTRUMENT SOFT STOP, now U.S. Patent Application Publication No. 2014/0246476.

[0111] Applicant of the present application also owns the following patent applications that were filed on March 14, 2013 and which are each herein incorporated by reference in their respective entireties:

- U.S. Patent Application Serial No. 13/803,097, entitled ARTICULATABLE SURGICAL INSTRUMENT COMPRISING A FIRING DRIVE, now U.S. Patent Application Publication No. 2014/0263542;
- U.S. Patent Application Serial No. 13/803,193, entitled CONTROL ARRANGEMENTS FOR A DRIVE MEMBER OF A SURGICAL INSTRUMENT, now U.S. Patent Application Publication No. 2014/0263537;
- U.S. Patent Application Serial No. 13/803,053, entitled INTERCHANGEABLE SHAFT ASSEMBLIES FOR USE WITH A SURGICAL INSTRUMENT, now U.S. Patent Application Publication No. 2014/0263564;
- U.S. Patent Application Serial No. 13/803,086, entitled ARTICULATABLE SURGICAL INSTRUMENT COMPRISING AN ARTICULATION LOCK, now U.S. Patent Application Publication No. 2014/0263541;
- U.S. Patent Application Serial No. 13/803,210, entitled SENSOR ARRANGEMENTS FOR ABSOLUTE POSITIONING SYSTEM FOR SURGICAL INSTRUMENTS, now U.S. Patent Application Publication No. 2014/0263538;
- U.S. Patent Application Serial No. 13/803,148, entitled MULTI-FUNCTION MOTOR FOR A SURGICAL INSTRUMENT, now U.S. Patent Application Publication No. 2014/0263554;
- U.S. Patent Application Serial No. 13/803,066, entitled DRIVE SYSTEM LOCKOUT ARRANGEMENTS FOR MODULAR SURGICAL INSTRUMENTS, now U.S. Patent Application Publication No. 2014/0263565;
- U.S. Patent Application Serial No. 13/803,117, entitled ARTICULATION CONTROL SYSTEM FOR ARTICULATABLE SURGICAL INSTRUMENTS, now U.S. Patent Application Publication No. 2014/0263553;
- U.S. Patent Application Serial No. 13/803,130, entitled DRIVE TRAIN CONTROL ARRANGEMENTS FOR MODULAR SURGICAL INSTRUMENTS, now U.S. Patent Application Publication No. 2014/0263543; and
- U.S. Patent Application Serial No. 13/803,159, entitled METHOD AND SYSTEM FOR OPERATING A SURGICAL INSTRUMENT, now U.S. Patent Application Publication No. 2014/0277017.

[0112] Applicant of the present application also owns the following patent application that was filed on March 7, 2014 and is herein incorporated by reference in its entirety:

- U.S. Patent Application Serial No. 14/200,111, entitled CONTROL SYSTEMS FOR SURGICAL INSTRUMENTS, now U.S. Patent Application Publication No. 2014/0263539.

**[0113]** Applicant of the present application also owns the following patent applications that were filed on March 26, 2014 and are each herein incorporated by reference in their respective entireties:

- U.S. Patent Application Serial No. 14/226,106, entitled POWER MANAGEMENT CONTROL SYSTEMS FOR SURGICAL INSTRUMENTS, now U.S. Patent Application Publication No. 2015/0272582;
- U.S. Patent Application Serial No. 14/226,099, entitled STERILIZATION VERIFICATION CIRCUIT, now U.S. Patent Application Publication No. 2015/0272581;
- U.S. Patent Application Serial No. 14/226,094, entitled VERIFICATION OF NUMBER OF BATTERY EXCHANGES/PROCEDURE COUNT, now U.S. Patent Application Publication No. 2015/0272580;
- U.S. Patent Application Serial No. 14/226,117, entitled POWER MANAGEMENT THROUGH SLEEP OPTIONS OF SEGMENTED CIRCUIT AND WAKE UP CONTROL, now U.S. Patent Application Publication No. 2015/0272574;
- U.S. Patent Application Serial No. 14/226,075, entitled MODULAR POWERED SURGICAL INSTRUMENT WITH DETACHABLE SHAFT ASSEMBLIES, now U.S. Patent Application Publication No. 2015/0272579;
- U.S. Patent Application Serial No. 14/226,093, entitled FEEDBACK ALGORITHMS FOR MANUAL BAILOUT SYSTEMS FOR SURGICAL INSTRUMENTS, now U.S. Patent Application Publication No. 2015/0272569;
- U.S. Patent Application Serial No. 14/226,116, entitled SURGICAL INSTRUMENT UTILIZING SENSOR ADAPTATION, now U.S. Patent Application Publication No. 2015/0272571;
- U.S. Patent Application Serial No. 14/226,071, entitled SURGICAL INSTRUMENT CONTROL CIRCUIT HAVING A SAFETY PROCESSOR, now U.S. Patent Application Publication No. 2015/0272578;
- U.S. Patent Application Serial No. 14/226,097, entitled SURGICAL INSTRUMENT COMPRISING INTERACTIVE SYSTEMS, now U.S. Patent Application Publication No. 2015/0272570;
- U.S. Patent Application Serial No. 14/226,126, entitled INTERFACE SYSTEMS FOR USE WITH SURGICAL INSTRUMENTS, now U.S. Patent Application Publication No. 2015/0272572;
- U.S. Patent Application Serial No. 14/226,133, entitled MODULAR SURGICAL INSTRUMENT SYSTEM, now U.S. Patent Application Publication No. 2015/0272557;
- U.S. Patent Application Serial No. 14/226,081, entitled SYSTEMS AND METHODS FOR CONTROLLING A SEGMENTED CIRCUIT, now U.S. Patent Application Publication No. 2015/0277471;
- U.S. Patent Application Serial No. 14/226,076, entitled POWER MANAGEMENT THROUGH SEGMENTED CIRCUIT AND VARIABLE VOLTAGE PROTECTION, now U.S. Patent Application Publication No. 2015/0280424;
- U.S. Patent Application Serial No. 14/226,111, entitled SURGICAL STAPLING INSTRUMENT SYSTEM, now U.S. Patent Application Publication No. 2015/0272583; and
- U.S. Patent Application Serial No. 14/226,125, entitled SURGICAL INSTRUMENT COMPRISING A ROTATABLE SHAFT, now U.S. Patent Application Publication No. 2015/0280384.

**[0114]** Applicant of the present application also owns the following patent applications that were filed on September 5, 2014 and which are each herein incorporated by reference in their respective entireties:

- U.S. Patent Application Serial No. 14/479,103, entitled CIRCUITRY AND SENSORS FOR POWERED MEDICAL DEVICE, now U.S. Patent Application Publication No. 2016/0066912;
- U.S. Patent Application Serial No. 14/479,119, entitled ADJUNCT WITH INTEGRATED SENSORS TO QUANTIFY TISSUE COMPRESSION, now U.S. Patent Application Publication No. 2016/0066914;
- U.S. Patent Application Serial No. 14/478,908, entitled MONITORING DEVICE DEGRADATION BASED ON COMPONENT EVALUATION, now U.S. Patent Application Publication No. 2016/0066910;
- U.S. Patent Application Serial No. 14/478,895, entitled MULTIPLE SENSORS WITH ONE SENSOR AFFECTING A SECOND SENSOR'S OUTPUT OR INTERPRETATION, now U.S. Patent Application Publication No. 2016/0066909;
- U.S. Patent Application Serial No. 14/479,110, entitled USE OF POLARITY OF HALL MAGNET DETECTION TO DETECT MISLOADED CARTRIDGE, now U.S. Patent Application Publication No. 2016/0066915;
- U.S. Patent Application Serial No. 14/479,098, entitled SMART CARTRIDGE WAKE UP OPERATION AND DATA RETENTION, now U.S. Patent Application Publication No. 2016/0066911;
- U.S. Patent Application Serial No. 14/479,115, entitled MULTIPLE MOTOR CONTROL FOR POWERED MEDICAL DEVICE, now U.S. Patent Application Publication No. 2016/0066916; and
- U.S. Patent Application Serial No. 14/479,108, entitled LOCAL DISPLAY OF TISSUE PARAMETER STABILIZATION, now U.S. Patent Application Publication No. 2016/0066913.

**[0115]** Applicant of the present application also owns the following patent applications that were filed on April 9, 2014 and which are each herein incorporated by reference in their respective entireties:

- U.S. Patent Application Serial No. 14/248,590, entitled MOTOR DRIVEN SURGICAL INSTRUMENTS WITH LOCKABLE DUAL DRIVE SHAFTS, now U.S. Patent Application Publication No. 2014/0305987;
- U.S. Patent Application Serial No. 14/248,581, entitled SURGICAL INSTRUMENT COMPRISING A CLOSING DRIVE AND A FIRING DRIVE OPERATED FROM THE SAME ROTATABLE OUTPUT, now U.S. Patent Application Publication No. 2014/0305989;
- U.S. Patent Application Serial No. 14/248,595, entitled SURGICAL INSTRUMENT SHAFT INCLUDING SWITCHES FOR CONTROLLING THE OPERATION OF THE SURGICAL INSTRUMENT, now U.S. Patent Application Publication No. 2014/0305988;
- U.S. Patent Application Serial No. 14/248,588, entitled POWERED LINEAR SURGICAL STAPLER, now U.S. Patent Application Publication No. 2014/0309666;
- U.S. Patent Application Serial No. 14/248,591, entitled TRANSMISSION ARRANGEMENT FOR A SURGICAL INSTRUMENT, now U.S. Patent Application Publication No. 2014/0305991;
- U.S. Patent Application Serial No. 14/248,584, entitled MODULAR MOTOR DRIVEN SURGICAL INSTRUMENTS WITH ALIGNMENT FEATURES FOR ALIGNING ROTARY DRIVE SHAFTS WITH SURGICAL END EFFECTOR SHAFTS, now U.S. Patent Application Publication No. 2014/0305994;
- U.S. Patent Application Serial No. 14/248,587, entitled POWERED SURGICAL STAPLER, now U.S. Patent Application Publication No. 2014/0309665;
- U.S. Patent Application Serial No. 14/248,586, entitled DRIVE SYSTEM DECOUPLING ARRANGEMENT FOR A SURGICAL INSTRUMENT, now U.S. Patent Application Publication No. 2014/0305990; and



- U.S. Patent Application Serial No. 14/248,607, entitled MODULAR MOTOR DRIVEN SURGICAL INSTRUMENTS WITH STATUS INDICATION ARRANGEMENTS, now U.S. Patent Application Publication No. 2014/0305992.

[0116] Applicant of the present application also owns the following patent applications that were filed on April 16, 2013 and which are each herein incorporated by reference in their respective entireties:

- U.S. Provisional Patent Application Serial No. 61/812,365, entitled SURGICAL INSTRUMENT WITH MULTIPLE FUNCTIONS PERFORMED BY A SINGLE MOTOR;
- U.S. Provisional Patent Application Serial No. 61/812,376, entitled LINEAR CUTTER WITH POWER;
- U.S. Provisional Patent Application Serial No. 61/812,382, entitled LINEAR CUTTER WITH MOTOR AND PISTOL GRIP;
- U.S. Provisional Patent Application Serial No. 61/812,385, entitled SURGICAL INSTRUMENT HANDLE WITH MULTIPLE ACTUATION MOTORS AND MOTOR CONTROL; and
- U.S. Provisional Patent Application Serial No. 61/812,372, entitled SURGICAL INSTRUMENT WITH MULTIPLE FUNCTIONS PERFORMED BY A SINGLE MOTOR.

[0117] Numerous specific details are set forth to provide a thorough understanding of the overall structure, function, manufacture, and use of the embodiments as described in the specification and illustrated in the accompanying drawings. Well-known operations, components, and elements have not been described in detail so as not to obscure the embodiments described in the specification. The reader will understand that the embodiments described and illustrated herein are non-limiting examples, and thus it can be appreciated that the specific structural and functional details disclosed herein may be representative and illustrative. Variations and changes thereto may be made without departing from the scope of the claims.

[0118] The terms "comprise" (and any form of comprise, such as "comprises" and "comprising"), "have" (and any form of have, such as "has" and "having"), "include" (and any form of include, such as "includes" and "including") and "contain" (and any form of contain, such as "contains" and "containing") are open-ended linking verbs. As a result, a surgical system, device, or apparatus that "comprises," "has," "includes" or "contains" one or more elements possesses those one or more elements, but is not limited to possessing only those one or more elements. Likewise, an element of a system, device, or apparatus that "comprises," "has," "includes" or "contains" one or more features possesses those one or more features, but is not limited to possessing only those one or more features.

[0119] The terms "proximal" and "distal" are used herein with reference to a clinician manipulating the handle portion of the surgical instrument. The term "proximal" refers to the portion closest to the clinician and the term "distal" refers to the portion located away from the clinician. It will be further appreciated that, for convenience and clarity, spatial terms such as "vertical", "horizontal", "up", and "down" may be used herein with respect to the drawings. However, surgical instruments are used in many orientations and positions, and these terms are not intended to be limiting and/or absolute.

[0120] Various exemplary devices and methods are provided for performing laparoscopic and minimally invasive surgical procedures. However, the reader will readily appreciate that the various methods and devices disclosed herein can be used in numerous surgical procedures and applications including, for example, in connection with open surgical procedures. As the present Detailed Description proceeds, the reader will further appreciate that the various instruments

disclosed herein can be inserted into a body in any way, such as through a natural orifice, through an incision or puncture hole formed in tissue, etc. The working portions or end effector portions of the instruments can be inserted directly into a patient's body or can be inserted through an access device that has a working channel through which the end effector and elongate shaft of a surgical instrument can be advanced.

[0121] A surgical stapling system can comprise a shaft and an end effector extending from the shaft. The end effector comprises a first jaw and a second jaw. The first jaw comprises a staple cartridge. The staple cartridge is insertable into and removable from the first jaw; however, other embodiments are envisioned in which a staple cartridge is not removable from, or at least readily replaceable from, the first jaw. The second jaw comprises an anvil configured to deform staples ejected from the staple cartridge. The second jaw is pivotable relative to the first jaw about a closure axis; however, other embodiments are envisioned in which first jaw is pivotable relative to the second jaw. The surgical stapling system further comprises an articulation joint configured to permit the end effector to be rotated, or articulated, relative to the shaft. The end effector is rotatable about an articulation axis extending through the articulation joint. Other embodiments are envisioned which do not include an articulation joint.

[0122] The staple cartridge comprises a cartridge body. The cartridge body includes a proximal end, a distal end, and a deck extending between the proximal end and the distal end. In use, the staple cartridge is positioned on a first side of the tissue to be stapled and the anvil is positioned on a second side of the tissue. The anvil is moved toward the staple cartridge to compress and clamp the tissue against the deck. Thereafter, staples removably stored in the cartridge body can be deployed into the tissue. The cartridge body includes staple cavities defined therein wherein staples are removably stored in the staple cavities. The staple cavities are arranged in six longitudinal rows. Three rows of staple cavities are positioned on a first side of a longitudinal slot and three rows of staple cavities are positioned on a second side of the longitudinal slot. Other arrangements of staple cavities and staples may be possible.

[0123] The staples are supported by staple drivers in the cartridge body. The drivers are movable between a first, or unfired position, and a second, or fired, position to eject the staples from the staple cavities. The drivers are retained in the cartridge body by a retainer which extends around the bottom of the cartridge body and includes resilient members configured to grip the cartridge body and hold the retainer to the cartridge body. The drivers are movable between their unfired positions and their fired positions by a sled. The sled is movable between a proximal position adjacent the proximal end and a distal position adjacent the distal end. The sled comprises a plurality of ramped surfaces configured to slide under the drivers and lift the drivers, and the staples supported thereon, toward the anvil.

[0124] Further to the above, the sled is moved distally by a firing member. The firing member is configured to contact the sled and push the sled toward the distal end. The longitudinal slot defined in the cartridge body is configured to receive the firing member. The anvil also includes a slot configured to receive the firing member. The firing member further comprises a first cam which engages the first jaw and a second cam which engages the second jaw. As the firing member is advanced distally, the first cam and the second cam can control the distance, or tissue gap, between the deck of the staple cartridge and the anvil. The firing member also comprises a knife configured to incise the tissue captured intermediate the staple cartridge and the anvil. It is desirable for the knife to be positioned at least partially proximal to the ramped surfaces such that the staples are ejected ahead of the knife.

[0125] Certain surgical stapling and cutting end effectors described herein include an elongate channel configured to removably receive a staple cartridge that has surgical staples stored therein. The staple cartridge includes ejectors, or

drivers, movably supported within a cartridge body of the staple cartridge which are each configured to support one or more staples thereon. The staple supporting drivers are arranged in longitudinal rows within the cartridge body located on each side of a longitudinally-extending slot defined in the cartridge body. The slot is configured to movably accommodate a firing member that may have a tissue cutting edge thereon that serves to cut the tissue that has been clamped between the anvil and the staple cartridge. The drivers are urged upwardly in the cartridge body, i.e., toward a deck of the cartridge body, when they are contacted by a sled that is configured to be driven longitudinally through the cartridge body by the firing member. The sled is movably supported in the cartridge and includes a plurality of angled or wedge-shaped cams that correspond to lines of staple drivers within the cartridge body. In an unfired or “fresh” staple cartridge, the sled is positioned in a starting position that is proximal to the first, or proximal-most, staple drivers in each line. The sled is advanced distally by the firing member during a firing stroke to eject the staples from the cartridge body. Once the staple cartridge has been at least partially fired, i.e., ejected from the cartridge body, the firing member is retracted back to a beginning or unfired position and the sled remains at a distal end of the now-spent staple cartridge. Once the firing member has been returned to the beginning or unfired position, the spent staple cartridge may be removed from the channel of the end effector.

**[0126]** Further to the above, a surgical instrument system 10 is illustrated in FIG. 1. The surgical instrument system 10 comprises a handle 14 and a shaft assembly 200 which is removably attachable to the handle 14. The shaft assembly 200 comprises an end effector 300 including a cartridge channel 302 and an anvil 306 movable relative to the cartridge channel 302. A staple cartridge 304 is removably positioned in the cartridge channel 302.

**[0127]** Such cutting and stapling end effectors are mounted to a distal end of an elongate shaft assembly that operably supports various drive shafts and components configured to apply various control motions to the end effector. In various instances, a shaft assembly may include an articulation joint or can be otherwise configured to facilitate the articulation of the end effector relative to a portion of the elongate shaft when articulation motions are applied to the end effector. The shaft assembly is coupled to a housing that supports various drive systems that operably interface with various components in the elongate shaft assembly. In certain arrangements, the housing may comprise a handheld housing or handle. In other arrangements, the housing may comprise a portion of a robotic or automated surgical system. The various drive systems of the housing may be configured to apply axial drive motions, rotary drive motions, and/or combinations of axial and rotary drive motions to the elongate shaft assembly. In handheld arrangements, the axial motions may be generated by one or more manually-actuated handcranks and/or generated by one or more electric motors. The robotic system may employ electric motors and/or other automated drive arrangements that are configured to generate and apply the necessary control motions to the elongate shaft assembly and, in some cases, ultimately to the firing member in the end effector.

**[0128]** For surgical end effectors that require rotary control motions, the elongate shaft assembly may include a “proximal” rotary drive shaft portion that is rotated by a corresponding motor or other source of rotary motion that is supported in the housing. The proximal rotary drive shaft is configured to apply the rotary control motion to an end effector drive shaft that is supported in the end effector. In such arrangements, the firing member interfaces with the end effector drive shaft such that the firing member may be longitudinally advanced through the end effector and then returned to the unfired position.

[0129] When using surgical instruments that are configured to cut and staple tissue, measures should be taken to ensure that an unspent surgical staple cartridge has been properly installed in the end effector of the surgical instrument prior to actuating the firing drive system of the surgical instrument. If a clinician were to inadvertently actuate a tissue cutting member of the firing drive system without first having installed an unspent staple cartridge in the end effector, for instance, the tissue cutting member may sever the tissue without stapling it. Similar problems could also arise if the clinician were to unwittingly install a partially-spent staple cartridge into the end effector. A partially-spent staple cartridge can be created when a staple cartridge is used in a prior procedure, or a prior step in a procedure, and then removed from the end effector before all of the staples have been ejected therefrom. If such a partially-spent cartridge were to be re-used in the surgical instrument, the tissue cutting member may create an incision in the tissue that is longer than the staple lines that are applied to the tissue. Thus, when using surgical end effectors that are configured to cut and staple tissue, it is desirable for the surgical end effector to be configured to prevent the actuation of the tissue cutting member unless an unspent “fresh” staple cartridge has been properly installed in the end effector.

[0130] FIGS. 2 and 3 depict portions of a surgical cutting and stapling end effector 20000 that may address such concerns. As can be seen in FIGS. 2 and 3, the end effector 20000 includes a rotary end effector drive shaft 20010. Although not shown, the rotary end effector drive shaft 20010 is rotatably supported within an elongate channel that is configured to removably support a surgical staple cartridge therein. The rotary end effector drive shaft 20010 is configured to receive rotary drive motions from a proximal rotary drive shaft that is attached to the channel or otherwise operably interfaces with the rotary end effector drive shaft 20010. Rotary control motions may be applied to the proximal rotary drive shaft through a corresponding drive arrangement that may comprise a motor or motors that are manually actuated or controlled by a robotic control system or other source(s) of rotary control motions. In alternative arrangements, the rotary control motions may be manually generated. Still referring to FIGS. 2 and 3, the surgical end effector 20000 comprises a firing assembly 20020 that is configured for longitudinal travel within the channel. In the illustrated embodiment, the firing assembly 20020 comprises an upper firing body 20022 that has a distal firing lug 20024 and a proximal firing lug 20026. The distal firing lug 20024 has an unthreaded hole (not shown) therein that is configured to receive the rotary end effector drive shaft 20010 therethrough. The proximal firing lug 20026 is spaced from the distal firing lug 20024 to define a nut cavity 20028 therebetween. The proximal firing lug 20026 has an unthreaded hole 20027 therethrough that is configured to receive the rotary end effector drive shaft 20010 therethrough.

[0131] As can be seen in FIGS. 2 and 3, the rotary end effector drive shaft 20010 is threaded. The firing assembly 20020 comprises a travel nut 20030 that is threadably journaled on the rotary end effector drive shaft 20010 and is located in the nut cavity 20028 between the distal firing lug 20026 and proximal firing lug 20027. The travel nut 20040 is movable within the nut cavity 20028 between a first position (FIG. 2) and a second position (FIG. 3). The travel nut 20040 includes an upper notched portion 20042 that has a distally extending retainer tab 20044 protruding therefrom. When the travel nut 20040 is in the first position, the notched upper portion 20042 is in vertical alignment with the upper firing body 20022 of the firing assembly 20020. As can be further seen in FIGS. 2 and 3, the distal firing lug 20024 may include a pair of laterally protruding distal fins 20025 (only one can be seen in the Figures) and the proximal firing lug 20026 may include a pair of laterally protruding proximal fins 20027. Likewise, the travel nut 20040 may include a pair of nut fins 20046 that are configured to align with the distal fins 20025 and the proximal fins 20027 when the travel nut 20040 is in the first position. See FIG. 2. When in that aligned position, the fins 20025, 20027 and 20046

are free to pass within a channel provided in the body of the staple cartridge. Also in the illustrated arrangement, the upper body portion 20022 of the firing assembly 20020 includes a pair of laterally protruding upper fins 20030 that are configured to be slidably received in corresponding channels in the anvil or otherwise slidably engage the anvil as the firing assembly is distally driven through the end effector. Thus, the fins 20025, 20027, 20046 and upper fins 20030 serve to retain the anvil at a desired distance from the staple cartridge during the firing process. The firing assembly 20020 also includes a tissue cutting surface or tissue cutting blade 20032 for cutting the tissue that has been clamped between the anvil and the staple cartridge.

**[0132]** The channel of the surgical end effector 20000 is configured to operably and removably support a surgical staple cartridge therein that includes a sled 20050. The sled 20050 is movable from a starting position located in the proximal end of the staple cartridge to an ending position within the cartridge. The sled 20050 includes a central sled body 20052 that has a collection of cam wedges 20054 formed therein. In the illustrated example, the sled 20050 includes four cam wedges 20054 with two cam wedges 20054 being located on each side of the central sled body 20052. Each cam wedge 20054 would correspond to a line of staple supporting drivers located in the cartridge body. As the sled 20050 is driven distally through the cartridge body, the cam wedges 20054 would sequentially drive the staple drivers in the corresponding line upward within the cartridge body to thereby drive the staples into forming contact with the underside of the anvil.

**[0133]** In the illustrated example, the sled 20050 includes retention cavity 20056 that is formed in the central sled body 20052 that is configured to retainingly engage the distally extending retainer tab 20044 on the travel nut 20040 when the travel nut is in the first position and the sled 20050 is in the starting (pre-fired) position. See FIG. 2. In certain arrangements, one or more biasing members 20060 may be provided in the firing assembly 20020 to bias the travel nut 20040 into the first position. For example, a torsion spring may be supported in one or both of the proximal firing lug 20024 and distal firing lug 20026 to bias the travel nut 20040 into the first position (direction  $D_1$ ) when the threaded end effector drive shaft 20020 is unactuated. However, when the threaded end effector drive shaft 20020 is rotated in the firing direction ( $D_2$ ), the rotating drive shaft 20020 overcomes the bias of the biasing member(s) 20060 and will move the travel nut 20030 to the second position shown in FIG. 3. When the travel nut 20030 is in the second position, the retention tab 20044 is out of alignment with the slot in the cartridge body that slidably accommodates the central sled body 20052 and the nut fins 20046 are out of alignment with the channels in the cartridge body. Thus, further rotation of the rotary end effector drive rod 20010 will not drive the firing assembly 20020 distally due to this misalignment of the tab 20044 and the fins 20046 with the corresponding portions of the cartridge body. However, if the cartridge is unspent (never been fired), the cartridge will have a sled 20050 in the starting position. When the cartridge is properly seated in the end effector channel, the retainer tab 20044 will be received in the retention cavity 20056 in the sled 20050 which will retain the travel nut 20030 in the first position when the rotary end effector drive shaft 20010 is rotated in the firing direction. Thus, such arrangement will prevent the clinician from unwittingly advancing the firing assembly 20020 (and tissue cutting surface 20044) when an unspent cartridge has not been properly seated in the channel. If a spent or even a partially spent cartridge is seated in the channel, the sled will not be in the starting position and the clinician will not be able to fire the firing assembly. If an unspent cartridge is present in the channel, but has not been properly seated therein so that retention tab is received within the retention cavity in the sled, the clinician will be unable to advance the firing assembly.

**[0134]** Turning next to FIGS. 4-6, portions of another surgical cutting and stapling end effector 20100 are shown. The end effector 20100 includes a channel 20110 that is configured to removably receive therein a surgical staple cartridge 20200. In at least one embodiment, the end effector 20100 includes a rotary end effector drive shaft 20120 that is selectively movable or deflectable between a first “locked” position and a second “drive” position. The rotary end effector drive shaft 20120 is configured to receive rotary drive motions from a proximal rotary drive shaft (not shown). Rotary control motions may be applied to the proximal rotary drive shaft through a corresponding drive arrangement that may comprise a motor or motors that are manually actuated or controlled by a robotic control system. In alternative arrangements, the rotary control motions may be manually generated. The rotary end effector drive shaft 20120 may be rotatably supported on its proximal and distal ends by corresponding rotary bearing arrangements or cradles that facilitate operational rotation of the rotary end effector drive shaft 20120, yet enable a portion of the rotary end effector drive shaft to deflect between the first and second positions while remaining in rotational operational engagement with the proximal rotary a drive shaft or other source of rotary motion.

**[0135]** As can be seen in FIGS. 4-8, the surgical end effector 20100 comprises a firing assembly 20130 that is configured for longitudinal travel within the channel 20110. In the illustrated embodiment, the firing assembly 20130 comprises a firing body 20132 that is threadably journaled on the rotary end effector drive shaft 20120. The firing body 20132 includes a pair of laterally protruding fins 20134 that are configured to pass within a passage 20112 in the channel 20110. The passage 20112 may be defined by two inwardly extending spaced channel tabs 20114 (only one tab can be seen in FIGS. 7 and 8) that have a slot 20116 therebetween to accommodate the rotary end effector drive shaft 20120 as well as passage of the firing body 20132 therebetween. See FIGS. 7 and 8. Also in the illustrated arrangement, an upper body portion 20136 of the firing assembly 20130 includes a pair of laterally protruding upper fins 20138 that are configured to be slidably received in corresponding channels 20152 in an anvil 20150 as the firing assembly 20130 is distally driven through the end effector 20100. Thus, the fins 20134 and 20138 serve to retain the anvil 20150 at a desired distance from the staple cartridge 20200 during the firing process. The firing assembly 20130 also includes a tissue cutting surface or tissue cutting blade 20139 that is configured to cut the tissue that has been clamped between the anvil and the staple cartridge.

**[0136]** FIG. 4 illustrates installation of an unspent staple cartridge 20200 into the surgical end effector 20100. As can be seen in FIG. 4, the unspent staple cartridge 20200 includes a sled 20210 that is located in a starting position. The sled 20210 is movable from the starting position located in the proximal end of the staple cartridge 20200 to an ending position within the cartridge 20200. As can be seen in FIG. 8, the sled 20210 includes a central sled body 20212 that has a collection of cam wedges 20214 formed therein. In the illustrated example, the sled 20210 includes four cam wedges 20214 with two cam wedges 20214 being located on each side of the central sled body 20212. Each cam wedge 20214 corresponds to a line of staple supporting drivers that are supported in the cartridge 20200. As the sled 20210 is driven distally through the cartridge 20200, the cam wedges 20214 sequentially drive the staple drivers in the corresponding line upward within the cartridge 20200 to thereby drive the staples into forming contact with the underside of the anvil 2015. Prior to seating the unspent staple cartridge 20200 in the channel 20110, the rotary drive shaft 20120 is located in the first or up position (represented by arrow “U”). FIG. 7 illustrates the position of the rotary drive shaft 20120 and the firing assembly 20130 in a locked position prior to installation of a staple cartridge within the end effector. As can be seen in FIG. 7, the fins 20134 are aligned with the channel tabs 20144 of the channel 20110 so

that if the clinician were to actuate the rotary drive shaft 20120 in an effort to drive the firing assembly distally through the channel 20110, the firing assembly 20130 would be prevented from moving distally due to the contact between the fins 20134 and the channel tabs 20114. The distance that the rotary drive shaft 20120 as well as the firing assembly 20130 may deflect downwardly is represented as distance  $D_f$  in FIG. 7.

**[0137]** In the illustrated example, a firing assembly engagement notch 20216 is provided in the sled body 20212 that is configured to engage a corresponding engagement notch 20137 in the upper body portion 20136 of the firing assembly 20130. As the firing assembly engagement notch 20216 of the sled 20210 initially engages the engagement notch 20137 in the upper body portion 20136 of the firing assembly 20130, the sled 20210 biases or deflects the firing assembly 20130 and end effector rotary drive shaft 20120 downward into the channel 20110 (represented by arrows “D” in FIG. 8). Such movement aligns the fins 20134 of the firing assembly 20130 with the passage 20112 in the channel 20110. The surgical staple cartridge 20220 may be configured to be snapped into the channel 20100 and retained therein in a properly installed orientation. FIGS. 5 and 8 illustrate the rotary drive shaft 20120 in the “drive position” or “second position” wherein the firing assembly 20130 is vertically aligned with the channel 20110 so as to permit the firing assembly 20130 to be distally driven through the staple cartridge 20200 when the rotary drive shaft 20120 is rotated in a firing direction.

**[0138]** FIG. 6 illustrates installation of a spent or partially spent staple cartridge 20200' into the surgical end effector 20100. As can be seen in FIG. 6, the sled 20210 has been distally moved from the starting position within the staple cartridge 20200'. Thus, when the staple cartridge 20200' is properly installed within the channel 20110, the sled 20210 and, more particularly, the firing assembly engagement notch 20126 in the sled 20210 is out of engagement with the engagement notch 20137 in the firing assembly 20130. Thus, the firing assembly 20130 remains in the first or locked position. Thus, if the clinician were to unwittingly actuate the rotary end effector drive shaft 20120, the firing assembly 20130 would not be distally advanced into the cartridge 20200'.

**[0139]** FIGS. 9-14 illustrate portions of another lockable firing assembly 20300 that is prevented from being advanced distally unless an unspent surgical staple cartridge has been properly seated within the end effector channel 20400. FIG. 9 illustrates the threaded nut portion 20302 of the firing assembly 20300 that is threadably journaled on a rotary end effector drive shaft in the manner described herein. The rotary end effector drive shaft has been omitted for clarity in FIGS. 9-14. In the illustrated embodiment a locking lug 20304 and an actuator lug 20306 protrude laterally from the threaded nut portion 20302. Although not shown, the firing assembly 20300 includes an upper firing body with a tissue cutting edge that may be similar to those disclosed herein. FIGS. 10-14, illustrate the threaded nut portion 20302 in connection with the channel 20400. It will be understood that the channel 20400 is configured to operably and removably support a surgical staple cartridge therein. Turning first to FIG. 10, the channel 20400 includes a centrally disposed, longitudinal slot 20402 that is configured to operably support the rotary end effector drive shaft as well as to permit longitudinal travel of the threaded nut 20302 through the channel 20400. In addition, a first longitudinal ledge 20404 and a second longitudinal ledge 20406 are provided on each side of the longitudinal slot 20402. The ledges 20404, 20406 serve to define a longitudinal passage 20408 that permits passage of the lugs 20304 and 20306 therein when the firing assembly 20300 is distally fired through the channel 20400. In addition, the channel 20400 includes a longitudinal cavity 20410 for receiving the cartridge body therein. It will be understood that the cartridge body may be configured to be snappingly and removably retained within the cavity 20410.

[0140] In the illustrated embodiment, a locking notch 20412 is provided in the ledge 20404. The locking notch 20412 is sized to receive at least a portion of the locking lug 20304 therein when the firing assembly 20300 is in a first or beginning position prior to firing. A lock spring or biasing member 20414 is provided on the ledge 20406 and is configured to engage and bias the actuator lug 20306 in the locking direction “L”. Such rotation of the actuator lug 20306 causes the locking lug 20304 to enter into the locking notch 20412. When in that position, the firing assembly 20300 cannot be advanced distally when the rotary end effector drive shaft is rotated in a firing direction.

[0141] FIG. 12 illustrates the position of the threaded nut portion 20302 of the firing assembly 20300 when the firing assembly has been moved to a second or unlocked position. FIG. 13 illustrates what happens when a surgical staple cartridge is initially introduced into the channel 20400. In FIGS. 13 and 14, the cartridge body has been omitted for clarity. However, it will be understood that the surgical staple cartridge includes a sled 20500. The sled 20500 is movable from the starting position located in the proximal end of the staple cartridge to an ending position within the cartridge. As can be seen in FIGS. 13 and 14, the sled 20500 includes a central sled body 20502 that has a collection of cam wedges 20504 formed therein. In the illustrated example, the sled 20500 includes four cam wedges 20504 with two cam wedges 20504 being located on each side of the central sled body 20502. Each cam wedge 20504 corresponds to a line of staple supporting drivers located in the cartridge 20500. As the sled 20500 is driven distally through the cartridge, the cam wedges 20504 sequentially drive the staple drivers in the corresponding line upward within the cartridge to thereby eject the staples into forming contact with the underside of the anvil.

[0142] Still referring to FIG. 13, the sled 20500 is configured to contact the actuator lug 20306 when the cartridge is properly installed within the channel 20400 and the sled is in the starting position. In the illustrated embodiment for example, a downwardly extending actuator member 20506 is formed on or otherwise attached to the sled 20500. When the cartridge is installed in the channel 20400, the actuator member 20506 on the sled 20500 contacts the actuator lug 20306 and biases the firing assembly in the unlocking direction “UL” (FIG. 13) to the position shown in FIG. 14. As can be seen in FIG. 14, the locking lug 20304 is out of the locking notch 20412 and the firing assembly 20300 can now be longitudinally advanced through the channel and the staple cartridge. Thus, such arrangement will prevent the clinician from unwittingly advancing the firing assembly unless a cartridge with a sled in the starting position has been properly installed in the channel. As used in this context, the term “properly installed” means that the staple cartridge has been retainingly seated into the channel in the intended manner so as to permit the sled and other portions thereof to interact with the firing assembly in the manners described herein.

[0143] FIGS. 15-17 illustrate portions of an end effector 20500 that is configured to cut and staple tissue. The end effector 20500 comprises an elongate channel 20510 that is configured to operably support a surgical staple cartridge 20600 therein. The end effector includes an anvil assembly 20700 that operably supports an anvil concentric drive member 20710 for operably driving a firing member 20720 through the end effector 20500. The anvil concentric drive member 20710 may, for example, be centrally disposed within the anvil frame 20712 and substantially extend the length thereof. The anvil concentric drive member 20710 in the illustrated embodiment comprises an anvil drive shaft that includes a distal bearing lug 20714 and a proximal bearing lug 20716. The distal bearing lug 20714 is rotatably housed in a distal bearing housing 20718 that is supported in a bearing pocket in the anvil frame 20712. The proximal bearing lug 20716 is rotatably supported in the anvil assembly 20700 by a floating bearing housing 20720 that is movably supported in a bearing pocket 20722 that is formed in the proximal anvil portion 20724. See FIG. 16. The proximal



and distal bearing housing arrangements may serve to prevent or at least minimize an occurrence of compressive forces on the anvil drive shaft 20710 which might otherwise cause the anvil drive shaft 20710 to buckle under high force conditions. The anvil drive shaft 20710 further includes a driven firing gear 20726, a proximal threaded or helix section 20728 and a distal threaded or helix section 20730. In the illustrated arrangement, the proximal threaded section 20728 has a first length and the distal threaded section 20730 has a distal length that is greater than the first length. In the illustrated arrangement, the pitch of the distal threaded section 20730 is greater than the pitch of the proximal threaded section 20728. Stated another way, the lead of the distal threaded section 20730 is greater than the lead of the proximal threaded section 20728. In one arrangement, the lead of the distal threaded section 20730 may be approximately twice as large as the lead of the proximal threaded section 20728. In addition, a dead space 20731 may be provided between the proximal threaded section 20728 and the distal threaded section 20730. In at least one example, the anvil drive shaft 20710 may be fabricated in one piece from extruded gear stock.

**[0144]** To facilitate assembly of the various anvil components, the anvil assembly 20700 includes an anvil cap 20740 that may be attached to the anvil frame 20712 by welding, snap features, etc. In addition, the anvil assembly 20700 includes a pair of anvil plates or staple forming plates 20742 that may contain various patterns of staple forming pockets on the bottom surfaces thereof that correspond to the staple arrangements in the surgical staple cartridge 20600 that is supported in the elongate channel 20510. The staple forming plates 20742 may be made of a metal or similar material and be welded to or otherwise attached to the anvil frame 20712. In other arrangements, a single anvil plate that has a slot therein to accommodate a firing member may also be employed. Such anvil plate or combination of plates may serve to improve the overall stiffness of the anvil assembly. The anvil plate(s) may be flat and have the staple forming pockets “coined” therein, for example.

**[0145]** As can be seen in FIGS. 15 and 18-20, the surgical end effector 20500 includes a firing member 20800 that has a body portion 20802 that has a knife nut portion 20804 formed thereon or otherwise attached thereto. The knife nut portion 20804 is configured to be received on the anvil drive shaft 20710. A distal thread nodule 20806 and a proximal thread nodule 20808 that are configured to engage the proximal threaded section 20728 and the distal threaded section 20730 are formed in the knife nut portion 20804. The distal thread nodule 20806 is spaced from the proximal thread nodule 20808 relative to the length of the dead space 20731 such that when the knife nut portion 20804 spans across the dead space 20731, the distal thread nodule 20806 is in threaded engagement with the distal threaded section 20730 and the proximal thread nodule 20808 is in threaded engagement with the proximal threaded section 20728. In addition, anvil engaging tabs 20810 protrude laterally from opposite lateral portions of the knife nut 20804 and are each oriented to engage the corresponding staple forming plates 20742 that are attached to the anvil frame 20712. The firing member 20800 further includes a channel engaging tab 20820 that protrudes from each lateral side of the body portion 20800. The firing member 20800 also includes a tissue cutting surface 20822.

**[0146]** Rotation of the anvil drive shaft 20710 in a first rotary direction will result in the axial movement of the firing member 20800 from a first position to a second position. Similarly, rotation of the anvil drive shaft 20710 in a second rotary direction will result in the axial retraction of the firing member 20800 from the second position back to the first position. The anvil drive shaft 20710 ultimately obtains rotary motion from a proximal drive shaft (not shown) that operably interfaces with a distal power shaft 20830. In the illustrated arrangement, the distal power shaft 20830 has a distal drive gear 20832 that is configured for meshing engagement with the driven firing gear 20726 on the anvil drive

shaft 20710 when the anvil assembly 20710 is in the closed position. The anvil drive shaft 20710 is said to be “separate and distinct” from the distal power shaft 20830. That is, at least in the illustrated arrangement for example, the anvil drive shaft 20710 is not coaxially aligned with the distal power shaft 20830 and does not form a part of the distal power shaft 20830. In addition, the anvil drive shaft 20710 is movable relative to the distal power shaft 20830, for example, when the anvil assembly 20700 is moved between open and closed positions. The proximal drive shaft may ultimately be rotated by a motor supported in a housing that is attached to a shaft assembly coupled to the surgical end effector 20500. The housing may comprise a handheld assembly or a portion of a robotically controlled system.

[0147] In the illustrated arrangement, the anvil assembly 20700 is closed by distally advancing a closure tube 20900. As can be seen in FIG. 15, the closure tube 20900 includes an internally threaded closure nut 20902 that is configured for threaded engagement with a closure thread segment 20834 that is formed on the distal power shaft 20830. Initial rotation of the distal power shaft 20830 will drive the closure tube 20900 distally to cam the anvil assembly 20700 to the closed position. Rotation of the distal power shaft 20830 in an opposite direction will drive the closure tube 20900 in the proximal direction to permit the anvil assembly 20700 to move to an open position.

[0148] Turning to FIGS. 18-20, the channel includes a pair of inwardly extending, longitudinal retention tabs 20512 that have a slot space 20514 therebetween to accommodate the longitudinal movement of the firing member 20800. In addition, the channel 20510 includes a proximal locking cavity 20516 that is proximal to the retention tabs 20512. The locking cavity 20516 transitions to a distal firing cavity that is coextensive with the tabs 20512 and the space 20514 therebetween. The locking cavity 20516 is larger than the distal firing cavity to permit the firing member 20800 to pivot to the position shown in FIG. 18. When in that position, the firing member body 20802 is out of alignment with the slot space and the tabs 20820 are out of alignment with the distal firing cavity 20518. When in that position, one of the tabs 20820 that protrude from the firing member 20800 is in alignment with one of the retention tabs 20512 and thus the firing member 20800 is prevented from being longitudinally advanced through the channel 20510. The firing member 20800 will pivot to that “locked” position when the anvil drive shaft 20710 is initially rotated and a surgical staple cartridge with a sled in a starting position has not been installed in the channel 20510. However, when a cartridge that has a sled in a starting position has been installed in the channel 20510, the sled will serve to contact or otherwise interface with the firing member 20800 to position and retain the firing member 20800 in alignment with the space 20514 between the retention tabs 20512. See FIG. 19. Thus, continued rotation of the anvil drive shaft 20710 will drive the firing member 20800 distally through the channel 20510 as shown in FIG. 20. Such arrangement will therefore, prevent the clinician from unwittingly actuating the anvil drive shaft 20710 to drive the firing member 20800 distally through the channel 20510 unless an unspent surgical staple cartridge that has a sled in a starting position has been installed in the channel.

[0149] In still other arrangements, the detection of the sled in the correct location within an unspent staple cartridge that has been properly seated in the channel of a surgical cutting and stapling end effector may be determined electrically. For example, this may be accomplished with contacts on the sled that complete a circuit when the sled is in a starting position in a cartridge that has been properly seated in the channel. Upon firing, the circuit is opened and further firing is not permitted until the circuit is closed again.

[0150] As mentioned above, stapling assemblies for first grasping, clamping, stapling, and/or cutting tissue are well known in the art. Previous stapling assemblies, such as those disclosed in U.S. Patent No. 5,865,361, for example, have

comprised a loading unit that is operably connected to a handle assembly. The disclosure of U.S. Patent No. 5,865,361, entitled SURGICAL STAPLING APPARATUS, which issued on February 2, 1999, is incorporated by reference in its entirety. While the handle assemblies of these previous stapling assemblies were configured for multiple uses, the loading units were configured for a single use. After each loading unit was spent, or at least partially spent, the loading unit was removed from the handle assembly and then replaced with a new, or unspent, loading unit if desired. The configuration of these previous loading units did not permit a cartridge portion of the loading unit to be replaced so that a spent loading unit could be used once again.

**[0151]** U.S. Patent Application Publication No. 2012/0286021 discloses an alternative stapling assembly comprising a first jaw including an anvil and a second jaw including a staple cartridge. The entire disclosure of U.S. Patent Application Publication No. 2012/0286021, entitled REPLACEABLE STAPLE CARTRIDGE, which published on November 15, 2012, is incorporated by reference herein. Unlike the previous loading units, the second jaw of these stapling assemblies can be completely removed from the loading unit and then replaced with another second jaw, presumably after the previous second jaw has been spent. Notably, the entire second jaw of these stapling assemblies is replaced - not just a portion of the second jaw as disclosed in U.S. Patent No. 6,988,649, entitled SURGICAL STAPLING INSTRUMENT HAVING A SPENT CARTRIDGE LOCKOUT, which issued on January 24, 2006, the entire disclosure of which is incorporated by reference herein.

**[0152]** The stapling assembly disclosed in U.S. Patent Application Publication No. 2012/0286021, however, is defective. For instance, the stapling assembly disclosed in U.S. Patent Application Publication No. 2012/0286021 includes a cutting member which can be advanced distally even though a second jaw is not attached to the stapling assembly. As a result, the cutting member may be unintentionally exposed to the tissue of a patient. Various improvements to these stapling assemblies, among others, are discussed further below.

**[0153]** Turning now to FIG. 21, a surgical instrument system 21000 comprises a handle 21010 and a stapling assembly, or loading unit, 21030 attached to a shaft 21020 of the handle 21010. Referring primarily to FIG. 22, the loading unit 21030 comprises a proximal end, or bayonet connector, 21032 configured to releasably attach the loading unit 21030 to the shaft 21020. Similar to the stapling assembly disclosed in U.S. Patent Application Publication No. 2012/0286021, the loading unit 21030 comprises an anvil 21040 and an attachable cartridge jaw 21050. The cartridge jaw 21050, once attached to the loading unit 21030, is pivotable between an open position (FIG. 21) and a closed, or clamped, position.

**[0154]** The handle 21010 comprises an actuator, or trigger, 21014 which is rotatable toward a pistol grip 21012 of the handle 21010 to drive a firing bar of the loading unit 21030 distally. During a first stroke of the trigger 21014, the firing bar engages the cartridge jaw 21050 and moves the cartridge jaw 21050 into its closed position. During one or more subsequent strokes of the trigger 21014, the firing bar is advanced through the cartridge jaw 21050. The cartridge jaw 21050 comprises a plurality of staples removably stored therein which are ejected from the cartridge jaw 21050 as the firing bar is advanced distally through the cartridge jaw 21050. More particularly, as discussed in greater detail elsewhere herein, the firing bar enters into the cartridge jaw 21050 and pushes a sled stored in the cartridge jaw 21060 distally which, in turn, drives the staples out of the cartridge jaw 21050.

**[0155]** Referring primarily to FIG. 22, the loading unit 21030 further comprises an articulation joint 21036 about which the anvil 21040 and the cartridge jaw 21050 can be articulated. The loading unit 21030 comprises an articulation

driver configured to articulate the anvil 21040 and the cartridge jaw 21050 about the articulation joint 21036. The articulation driver is operably coupled with an articulation actuator 21016 which is rotatable to push or pull the articulation driver, depending on the direction in which the articulation actuator 21016 is rotated.

**[0156]** An alternative surgical instrument system 21100 is illustrated in FIGS. 23 and 24. The system 21100 comprises a handle 21110 and an attachable loading unit 21130. Similar to the above, the loading unit 21130 comprises an anvil jaw 21040 and a removably attached cartridge jaw 21050. The loading unit 21130 further comprises an articulation joint 21138 and a flex joint 21136 which are configured to permit the end effector to articulate relative to a shaft portion 21120 of the loading unit 21130. The shaft portion 21120 comprises a proximal connector 21122 configured to attach the loading unit 21130 to the handle 21110. Referring primarily to FIG. 25, the proximal connector 21122 comprises rotatable inputs 21128 which are operably engageable with rotatable outputs 21118 of the handle 21110. Each rotatable input 21128 is part of a drive system which articulates the loading unit 21130 about the flex joint 21136 and/or articulation joint 21128, closes the cartridge jaw 21050, and/or fires the staples from the cartridge jaw 21050, for example. The handle 21110 comprises controls 21114 and 21116 which can be utilized to operate the drive systems of the loading unit 21130. The disclosure of U.S. Patent Application Publication 2013/0282052, entitled APPARATUS FOR ENDOSCOPIC PROCEDURES, which published on October 24, 2013, is incorporated by reference in its entirety.

**[0157]** Further to the above, the staple cartridge jaw 21050 is removably attached to the anvil jaw 21040 of the loading unit 21030. Referring primarily to FIGS. 26 and 27, the proximal end of the anvil jaw 21040 comprises attachment projections 21042 extending from opposite sides thereof. The proximal end of the staple cartridge jaw 21050 comprises recesses 21052 defined therein which are configured to receive the attachment projections 21042. The anvil jaw 21040 is fixedly attached to the frame of the loading unit 21030 and the attachment projections 21042 extend fixedly from the anvil jaw 21040. In at least one instance, the anvil jaw 21040 and/or the attachment projections 21042 are integrally formed with the frame of the anvil portion 21030.

**[0158]** The staple cartridge jaw 21050 further comprises clips 21056 configured to engage and grasp the attachment projections 21042. Each clip 21056 is positioned within a slot 21055 defined in the cartridge jaw 21050. When the cartridge jaw 21050 is attached to the loading unit 21030, the clips 21056 flex around the attachment projections 21042. When the cartridge jaw 21050 is fully attached to the loading unit 21030, the clips 21056 resiliently snap or return toward their unflexed configuration and hold the attachment projections 21042 in the recesses 21052.

**[0159]** Further to the above, the cartridge jaw 21050 is properly attached to the loading unit 21030 when the clips 21056 are engaged with the attachment projections 21042 and the attachment projections 21042 are fully seated in the recesses 21052. That said, the loading unit 21030 does not include a sensing system configured to detect whether or not the cartridge jaw 21050 is properly attached to the loading unit 21030. Turning now to FIGS. 28-32, a loading unit 21130 comprises a system configured to detect whether or not a staple cartridge jaw 21150 is properly attached to an anvil jaw 21140 of the loading unit 21130, as described in greater detail below.

**[0160]** The loading unit 21130 comprises an electrical circuit that is completed, or closed, when the staple cartridge jaw 21150 is properly attached to the loading unit 21130. The electrical circuit is in communication with a microprocessor, or controller, of the surgical instrument system. The controller is in the handle of the surgical instrument system; however, the controller can be in any suitable part of the surgical instrument system, such as the

loading unit 21130, for example. Alternatively, the controller can be in a housing of a surgical instrument assembly that is attached to a robotic surgical system and/or in the robotic surgical system itself. In any event, the controller is in communication with an electric motor which drives the staple firing system of the surgical instrument system.

**[0161]** When the controller detects that a staple cartridge is not properly attached to the loading unit 21130, further to the above, the controller can prevent the electric motor from driving the staple firing system through a staple firing stroke. In at least one such instance, the controller can open a switch between a power source, such as a battery, for example, and the electric motor to prevent electrical power from being supplied to the electric motor. When the controller detects that a staple cartridge 21150 is properly attached to the loading unit 21130, the controller can permit the electric motor to receive power from the battery and drive the staple firing system through a staple firing stroke when actuated by the user of the surgical instrument system. In at least one such instance, the controller can close the switch between the battery and the electric motor, for example.

**[0162]** The electrical circuit of the loading unit 21130 comprises conductors 21147 (FIGS. 30 and 32) extending through a shaft portion of the loading unit 21130 and, in addition, a contact 21146 positioned around each of the attachment projections 21142. Each of the conductors 21147 is electrically coupled to the microprocessor and a contact 21146. The staple cartridge 21150 comprises a portion of the electrical circuit which completes the electrical circuit when the staple cartridge 21150 is fully engaged with the attachment projections 21142. The portion of the electrical circuit in the staple cartridge 21150, referring to FIG. 31, comprises a contact 21159 positioned in each of the recesses 21052 and a conductor, or trace, 21157 extending between and electrically coupled with the contacts 21159. The clips 21056 are configured to hold the contacts 21159 of the staple cartridge jaw 21150 against the contacts 21146 extending around the attachment portions 21142. In at least one instance, the clips 21056 are comprised of a conductive material and are in communication with the trace 21157. In such instances, the clips 21056 are part of the electrical circuit in the staple cartridge 21150. In any event, when the staple cartridge jaw 21150 is detached from the loading unit 21130, the electrical circuit is broken, or opened, and the microprocessor can detect that a staple cartridge jaw 21150 is no longer attached to the loading unit 21130.

**[0163]** Further to the above, the controller can determine that a staple cartridge jaw 21150 is improperly attached to the loading unit 21130 if only one of the contacts 21159 is engaged with its respective contact 21146. In such instances, the electrical circuit would be in an open condition and, as a result, the microprocessor would treat an improperly assembled staple cartridge jaw 21150 as a missing cartridge jaw 21150 and prevent the electric motor from being actuated to perform the staple firing stroke. In various instances, the surgical instrument system can include an indicator light and/or feedback system that communicates to the user of the surgical instrument system that the staple cartridge jaw detection circuit has not been closed. In response thereto, the user can investigate the condition and properly seat the staple cartridge jaw 21150 to close the detection circuit.

**[0164]** As illustrated in FIG. 31, the conductor 21157 extends laterally across the cartridge jaw 21150. When a firing member is advanced distally through the cartridge jaw 21150, the firing member can transect and/or break the conductor 21157 and open the jaw detection circuit. At such point, the controller can permit the electric motor to be operated to advance the firing member distally until the firing member is retracted back to its unfired position. After the firing member has been retracted to its unfired position, the controller can then prevent the re-operation of the electric motor until an unspent cartridge jaw 21150 is properly attached to the loading unit 21130. As a result, the electrical

circuit of the loading unit 21130 can serve as a missing cartridge lockout, an improperly attached cartridge lockout, and a spent cartridge lockout.

**[0165]** In addition to or in lieu of the above, the sled 21170 can comprise a conductive portion which electrically connects the lateral jaw contacts 21159 and/or the electrically conductive clips 21056 when the sled 21170 is in its unfired position. In at least one instance, the sled 21170 comprises a conductor and/or trace extending from one lateral side of the sled 21170 to the other. When the sled 21170 is advanced distally, the conductive portion of the sled 21170 is no longer in electrical communication with the contacts 21159 and/or clips 21056 and the jaw detection circuit is opened. To the extent that the jaw assembly also comprises the conductor 21157, the conductor 21157 can be cut or broken to open the jaw detection circuit as described above. In various instances, the sled 21170 can be displaced from the jaw detection circuit at the same time that the conductor 21157 is cut or broken, for example. In any event, the conductive sled 21170 can provide a spent cartridge lockout.

**[0166]** In various alternative embodiments, the electrical circuit lockout of the loading unit is not transected when the firing member is advanced distally. Turning now to FIG. 34, a staple cartridge jaw 21250 of a loading unit 21230 comprises a cartridge body 21251, a plurality of staple cavities 21258 defined in the cartridge body 21251, and a longitudinal slot 21259 defined in the cartridge body 21251 which is configured to receive a portion of the firing member. Similar to the staple cartridge jaw 21150, the staple cartridge jaw 21250 comprises a portion of the loading unit electrical circuit. The portion of the electrical circuit in the staple cartridge jaw 21250 comprises electrical contacts, such as contacts 21159, for example, defined in the recesses 21052 and compliant electrical contacts 21257 disposed on opposite sides of the longitudinal slot 21251. Each compliant contact 21257 is in electrical communication with a contact 21052 via a conductor, or trace, for example, extending through the cartridge body 21251.

**[0167]** The compliant contacts 21257 are configured to engage an anvil jaw 21240 of the loading unit 21230 when the staple cartridge jaw 21250 is assembled to the loading unit 21250. More specifically, the compliant contacts 21257 engage a conductive pathway 21247 defined in the anvil jaw 21240 which electrically connects the compliant contacts 21257 and, at such point, the electrical circuit has been closed. The compliant contacts 21257 remain constantly engaged with the conductive pathway 21247, i.e., when the cartridge jaw 21250 is in an open position, when the cartridge jaw 21250 is in a closed position, and when the cartridge jaw 21250 is moved between its open and closed positions. When the firing member is advanced distally, the firing member passes through a gap defined between the contacts 21257 and, as a result, the electrical jaw detection circuit is not transected. Such an arrangement can provide a missing cartridge jaw lockout and/or an improperly attached cartridge jaw lockout.

**[0168]** Further to the above, the compliant contacts 21257 can comprise springs configured to bias the staple cartridge jaw 21250 into an open position. When the staple cartridge jaw 21250 is moved into its closed position, the compliant contacts 21257 are compressed between the staple cartridge jaw 21250 and the anvil 21240. The compliant contacts 21257, along with the other portions of the electrical jaw detection circuit, are electrically insulated from the metal, or conductive, portions of the stapling assembly so as to maintain the integrity of the jaw detection circuit and prevent the jaw detection circuit from shorting out.

**[0169]** In addition to or in lieu of an electrical or electronic lockout such as the lockout described above, for example, a loading unit can include a mechanical lockout that prevents the firing system from performing a staple firing stroke if a staple cartridge jaw is not properly attached to the loading unit. Turning now to FIG. 33, the staple cartridge jaw

21150 comprises a sled 21170 which is pushed distally by the firing member 21160 (FIG. 30) when the firing member 21160 is advanced distally during a staple firing stroke. The staple cartridge jaw 21150 further comprises lockout members 21172 which are pivotably engaged with the cartridge body 21151 of the cartridge jaw 21150. As described in U.S. Patent Application Publication No. 2012/0286021, the lockout members 21172 are biased inwardly into a locked out position after the sled 21170 has been at least partially advanced distally during a firing stroke which prevent the cartridge jaw 21150 from being re-fired.

[0170] Although the lockout members 21172 can block the distal advancement of the firing member 21160, as discussed above, the firing member 21160 may be able to push through and slide between the lockout members 21172 in certain instances. As an improvement, one or both of the lockout members 21172 can comprise a latch or hook extending inwardly toward the firing member 21160. When the lockout members 21172 are biased inwardly after the sled 21170 has been advanced distally, the latches or hooks can engage apertures defined in the firing member 21160 when the firing member 21160 is retracted back into its unfired position. Once the latches or hooks are positioned in the firing member apertures, they can prevent the firing member 21160 from being advanced distally through the already spent cartridge. At such point, the staple cartridge would have to be replaced to unlock the firing member 21160.

[0171] As described above, an attachable staple cartridge jaw can be moved between open and closed positions to clamp tissue therebetween. Other embodiments are envisioned in which the staple cartridge jaw is removably attachable to a stapling instrument but the anvil jaw is movable between open and closed positions. Turning now to FIGS. 35-38, a stapling assembly 21530 comprises an attachable staple cartridge jaw 21550 including a cartridge body 21551 and, in addition, a pivotable anvil jaw 21540. The stapling assembly 21530 further comprises a firing member, such as firing member 21160, for example, which is movable distally to engage the anvil jaw 21540 and move the anvil jaw 21540 into a closed position. More specifically, the firing member 21160 comprises a first camming member 21162 configured to engage the cartridge jaw 21550 and a second camming member 21164 configured to engage the anvil jaw 21540 and move the anvil jaw 21540 toward the cartridge jaw 21550.

[0172] The stapling assembly 21530 further comprises a mechanical lockout 21572. The lockout 21572 is mounted to a frame of the stapling assembly 21530 at a frame pivot 21232. The lockout 21572 extends distally and is supported by a frame pin 21533. The lockout 21572 comprises a metal wire; however, the lockout 21572 can be comprised of any suitable material. The lockout 21572 further comprises an elongated recess track 21576 defined therein which is configured to receive a lockout pin 21166 extending from the firing member 21160. Referring primarily to FIG. 35, the elongated recess track 21276 constrains or limits the longitudinal displacement of the firing member 21160 when the lockout 21572 is in its locked position. More specifically, the recess track 21576 is configured to permit the firing member 21160 to be advanced distally to move the anvil jaw 21540 between its open and closed positions but prevent the firing member 21160 from being advanced distally to perform a firing stroke unless the lockout 21572 is moved into its unlocked position, as discussed below.

[0173] When the staple cartridge jaw 21550 is attached to the stapling assembly 21530, as illustrated in FIG. 36, the sled 21270 of the cartridge jaw 21550 contacts a distal arm 21574 of the lockout 21572 and deflects the lockout 21572 downwardly into its unlocked position. At such point, the lockout 21572 has been displaced below the lockout pin 21166 of the firing member 21160 and, as a result, the firing member 21160 can be advanced distally to perform a

staple firing stroke, as illustrated in FIG. 37. During the staple firing stroke, the firing member 21160 pushes the sled 21270 distally off of the lockout arm 21574 and the lockout 21572 can return back to its unflexed, or locked, configuration. When the firing member 21160 is retracted, as illustrated in FIG. 38, the lockout pin 21166 can engage the lockout 21572 and flex the lockout 21572 downwardly to permit the firing member 21160 to return to its unfired position. Notably, the sled 21270 is not retracted with the firing member 21160 and, as a result, cannot re-unlock the lockout 21572 even though the firing member 21160 has been retracted. As a result of the above, the lockout 21572 can serve as a missing cartridge lockout and a spent cartridge lockout.

[0174] Turning now to FIGS. 39-43, a stapling assembly 21330 comprises an attachable staple cartridge jaw 21350 including a cartridge body 21351 and, in addition, an anvil jaw 21340. The stapling assembly 21330 further comprises a firing member, such as firing member 21160, for example, which is movable distally to engage the anvil jaw 21340 and the cartridge jaw 21350. More specifically, the firing member 21160 comprises a first camming member 21162 configured to engage the cartridge jaw 21350 and a second camming member 21164 configured to engage the anvil jaw 21340 which close the jaws 21340 and 21350 when the firing member 21160 is advanced distally.

[0175] The stapling assembly 21330 further comprises a mechanical lockout 21372. The lockout 21372 is mounted to a frame of the stapling assembly 21330 at a frame pivot 21232. The lockout 21372 extends distally and is constrained by a frame pin 21333. The lockout 21372 comprises a metal wire; however, the lockout 21372 can be comprised of any suitable material. The lockout 21372 further comprises an elongate recess track 21376 defined therein which is configured to receive the lockout pin 21166 extending from the firing member 21160. Referring primarily to FIG. 39, the elongate recess track 21376 constrains or limits the longitudinal displacement of the firing member 21160 when the lockout 21372 is in its locked position. More specifically, the recess track 21376 is configured to permit the firing member 21160 to be advanced distally to close the stapling assembly 21330 but prevent the firing member 21160 from being advanced distally to perform a firing stroke.

[0176] When the staple cartridge jaw 21550 is attached to the stapling assembly 21530, as illustrated in FIG. 40, the sled 21370 of the cartridge jaw 21350 contacts distal arms 21374 of the lockout 21372 and deflects the lockout 21372 upwardly into an unlocked position. At such point, the lockout 21372 has been displaced above the lockout pin 21166 of the firing member 21160 and, as a result, the firing member 21160 can be advanced distally to perform a staple firing stroke, as illustrated in FIG. 41. During the staple firing stroke, the firing member 21160 pushes the sled 21370 distally out from under the lockout arms 21374 and the lockout 21372 can return back to its unflexed, or locked, configuration. When the firing member 21160 is retracted, as illustrated in FIG. 42, the lockout pin 21166 can engage the lockout 21372 and flex the lockout 21372 upwardly to permit the firing member 21160 to return to its unfired position. Notably, the sled 21370 does not return with the firing member 21160. As a result of the above, the lockout 21372 can serve as a missing cartridge lockout and a spent cartridge lockout.

[0177] Referring to FIG. 43, the arms 21374 of the lockout 21372 are laterally spaced apart on opposite sides of the longitudinal slot 21359 such that the firing member 21160 can slide between the arms 21374. In such instances, the arms are not transected by the firing member 21160.

[0178] During a surgical procedure, several loading units can be used with a handle of a surgical stapling system. In at least one instance, a first loading unit can be used which is configured to apply a 30 mm staple line, a second loading unit can be used which is configured to apply a 45 mm staple line, and a third loading unit can be used which is



configured to apply a 60 mm staple line, for example. In the event that each of these loading units comprises a replaceable cartridge jaw, it is possible that the wrong staple cartridge jaw can be attached to a loading unit. For instance, a clinician may attempt to attach a 60 mm staple cartridge jaw to a loading unit configured to apply a 30 mm staple line. As a result, it is possible that some of the staples ejected from the 60 mm staple cartridge jaw may not be deformed by the anvil and/or that the tissue incision line may be longer than the staple lines. The stapling assemblies and/or loading units disclosed herein can include means for preventing the wrong staple cartridge jaw from being attached thereto, as discussed in greater detail below.

[0179] Referring to FIGS. 44 and 46, further to the above, the recesses 21052 defined in the cartridge jaw 21250 are configured to closely receive the attachment projections 21142 of the loading unit 21130 such that there is a snug fit therebetween. The attachment projections 21242' (FIG. 45) of a second loading unit 21130', in at least one instance, are smaller than the attachment projections 21142 and, correspondingly, the recesses of a second cartridge jaw for use with the second loading unit 21130' are smaller than the recesses 21052. In order to provide a form of error proofing, the recesses of the second cartridge jaw are too small to receive the attachment projections 21142 of the loading unit 21130 and, as a result, the second cartridge jaw cannot be attached to the loading unit 21130. Similarly, turning now to FIG. 45, the recesses 21052 of the cartridge jaw 21250 are larger than the attachment projections 21242' of the second loading unit 21130' such that the clips 21056 of the cartridge jaw 21250 cannot hold the attachment projections 21242' in the recesses 21052 and, as a result, cannot hold the cartridge jaw 21250 to the loading unit 21130'. In such instances, the interconnection between the cartridge jaw 21250 and the loading unit 21130' would be too loose for the cartridge jaw 21250 to be used with the loading unit 21130'.

[0180] In the instances described above, the attachment projections of a loading unit, the recesses of a staple cartridge jaw, and the spring clips holding the staple cartridge jaw to the loading unit have the same configuration on both sides of the stapling assembly. In other instances, the attachment projection, the recess, and/or the spring clip on one side of the stapling assembly is different than the attachment projection, the recess, and/or the spring clip on the other side of the stapling assembly. For example, a large attachment projection, recess, and spring clip are disposed on one side of the stapling assembly while a smaller attachment projection, recess, and spring clip are disposed on the other side. Such arrangements can increase the permutations available to prevent an incorrect staple cartridge jaw from being attached to a loading unit.

[0181] In the instances described above, the attachment projections of a loading unit, the recesses of a staple cartridge jaw, and the spring clips are aligned with respect to a common lateral axis. In other instances, the attachment projection, the recess, and/or the spring clip on one side of the stapling assembly are not aligned with the attachment projection, the recess, and/or the spring clip on the other side. Stated another way, one side is offset from the other. Such arrangements can also increase the permutations available to prevent an incorrect staple cartridge jaw from being attached to a loading unit.

[0182] Further to the above, it is contemplated that a kit of loading units can be provided wherein each loading unit of the kit can be configured such that only a cartridge jaw intended to be used with the loading unit can be properly attached to the loading unit.

[0183] Turning now to FIGS. 47 and 48, the staple cartridge jaw 21050 comprises a proximal shoulder 21058 which is positioned in close proximity to the frame of the loading unit 21030 when the cartridge jaw 21050 is attached to the

loading unit 21030. Owing to the snug fit between the projections 21042, the recesses 21052, and the clips 21056, the cartridge jaw 21050 is held in position such that the shoulder 21058 of the cartridge jaw 21050 does not interfere with the distal progression of the firing member 21160, for example. More particularly, the shoulder 21058 does not interfere with the first camming member 21162 of the firing member 21160. In the event that an incorrect staple cartridge were attached to the cartridge jaw 21050, in certain instances, the proximal shoulder of the incorrect staple cartridge jaw may interfere with the distal progression of the first camming member and, as a result, prevent the firing member 21160 from performing a firing stroke with the incorrect staple cartridge. Turning now to FIG. 49, a staple cartridge jaw 21450 is an incorrect staple cartridge jaw for use with the loading unit 21030. Eventhough the staple cartridge jaw 21450 has been attached to the loading unit 21030, the proximal shoulder 21458 prevents the firing member 21060 from being advanced distally.

**[0184]** Further to the above, the proximal shoulder of a staple cartridge jaw can comprise a sharp or abrupt corner. In at least one such instance, the proximal shoulder does not comprise a chamfer or lead-in, for example.

**[0185]** In various instances, a proximal shoulder of a staple cartridge jaw can be configured to block the distal advancement of a staple firing member if the tissue clamped between the staple cartridge jaw and an opposing anvil jaw is too thick. In such instances, the staple cartridge jaw would not close completely and the proximal shoulder of the staple cartridge jaw would be positioned in front of the staple firing member. Such an arrangement would comprise a tissue thickness lockout; however, such an arrangement could also serve as a tissue clamping lockout in the event that the staple cartridge jaw had not yet been moved into its clamped position.

**[0186]** In addition to or in lieu of the above, an electronic or software lockout of a surgical instrument system can be utilized to prevent a firing drive from performing a staple firing stroke in the event that an incorrect staple cartridge jaw is attached to the surgical instrument system. In various instances, as discussed above, a portion of a jaw detection circuit can extend through a staple cartridge jaw and, in at least one instance, a controller of the surgical instrument system can be configured to evaluate the portion of the jaw detection circuit extending through the staple cartridge jaw to determine whether the staple cartridge attached to the surgical instrument system jaw is an appropriate staple cartridge jaw for use with the surgical instrument system. In at least one instance, the clips 21056 of a first staple cartridge jaw have detectably different electrical properties, such as resistance or impedance, for example, than the clips 21056 of a second staple cartridge jaw.

**[0187]** Referring again to FIGS. 22, 26, and 28, a cartridge jaw removal tool 21090 can be used to detach a cartridge jaw from a loading unit. U.S. Patent Application Publication No. 2012/0286021 discusses a cartridge removal tool in greater detail.

**[0188]** It is desirable to employ lockout systems with surgical stapling instruments having replaceable staple cartridge assemblies. For example, in the event that a user forgets to install a staple cartridge into an instrument without such a lockout system, the firing member of the surgical instrument could be used to cut the tissue of a patient without stapling it. Such circumstances are undesirable. In yet another example, in the event that a user installs a spent, or partially-spent, staple cartridge into an instrument and without a lockout system, the firing member of the surgical instrument would, similarly, cut but not staple, or just partially staple, the tissue of a patient. Such circumstances are also undesirable. As a result, surgical instruments which can automatically lock out the firing member to prevent the firing member from being advanced within an end effector are desirable.

[0189] Turning now to FIGS. 50 and 51, a surgical instrument system 25100 comprising a missing cartridge and spent cartridge lockout system is depicted. The system 25100 comprises a firing member 25110, a staple cartridge assembly 25120, and an anvil jaw 25130. The firing member 25110 comprises a distally-presented cutting portion 25111 configured to cut tissue when advanced through an end effector portion of the surgical instrument system 25100. The firing member 25110 is configured to deploy a plurality of staples from the staple cartridge assembly 25120 toward the anvil jaw 25130 by advancing a sled 25121 longitudinally through the staple cartridge assembly 25120. The sled 25121 is movable from a proximal unfired position to a distal fully-fired position during a staple firing stroke. After the staple firing stroke has been completed, the firing member 25110 is retracted. The sled 25121 does not retract with the firing member 25110. However, embodiments are envisioned in which the sled 25121 is at least partially retracted.

[0190] The surgical instrument system 25100 further comprises a lockout member 25140. The lockout member 25140 is configured to prevent the firing member 25110 from being advanced through the staple firing stroke when a cartridge is not present in the surgical instrument system 25100 or a spent, or partially spent, cartridge is present in the surgical instrument system 25100. The lockout member 25140 comprises a proximal portion 25141 pivotably mounted to a spine pin 25101 of a frame portion of the system 25100. The lockout member 25140 further comprises a lock face, or shoulder, 25142 configured to catch the firing member 25110, and a deflectable portion 25143. The lockout member 25140 is movable, or deflectable, between a locked position (FIG. 50) and an unlocked position (FIG. 51) when a staple cartridge assembly is installed within the system 25100. The lockout member 25140 is spring-biased into the locked position when a staple cartridge assembly is not installed within the system 25100, as discussed in greater detail below. The lockout member 25140 is also spring-biased into the locked position when a spent, or partially spent, staple cartridge assembly is installed within the system 25100, as also discussed in greater detail below.

[0191] When the lockout member 25140 is in its locked position as illustrated in FIG. 50, a firing member pin 25113 mounted on the firing member 25110 is configured to abut the lock face 25142 of the lockout member 25140 which prevents the firing member 25110 from being advanced distally. To move the lockout member 25140 from the locked position to the unlocked position, an unspent, ready-to-fire staple cartridge assembly must be properly installed within the system 25100. More specifically, the sled 25121 of an unspent, ready-to-fire staple cartridge assembly is in its proximal unfired position and, when such a staple cartridge assembly is installed into the system 25100, the sled 25121 deflects, or bends, the deflectable portion 25143 downwardly into its unlocked position. When the lockout member 25140 is in its unlocked position referring to FIG. 51, the firing member pin 25113 is clear to advance beyond the lock face 25142 thus permitting the firing member 25110 to be advanced distally to deploy staples and cut tissue during a firing stroke.

[0192] As can be seen in FIGS. 50 and 51, some longitudinal movement of the firing member 25110 is permitted when the lockout member 25140 is in its locked position. This freedom of longitudinal movement when the lockout member 25140 is in its locked position allows the firing member 25110 to be advanced distally to close the jaws of the system 25100 and moved proximally to prevent the jaws to be re-opened. Manipulating the jaws of the system 25100 may be necessary for loading and/or unloading staple cartridges, for example.

[0193] As mentioned above, the sled 25121 does not return with the firing member 25110 when the firing member 25110 is retracted after the firing stroke. When the firing member 25110 is retracted, the firing member pin 25113 deflects, or bends, the deflectable portion 25143 to its unlocked position permitting the pin 25113 to pass the lock face

25142 and return to a home position. Once the pin 25113 is retracted past the lock face 25142, the lockout member 25140 springs back, or returns, to its locked position to prevent a repeat firing with a spent staple cartridge installed within the system 25100. The firing member 25110 can be retracted even further such that the jaws of the system 25100 can then be unclamped from the stapled tissue.

**[0194]** Referring now to FIGS. 52-54, another surgical instrument system 25200 is depicted. The system 25200 comprises another type of a missing cartridge and spent cartridge lockout arrangement. The system 25200 comprises a firing member 25210 and a staple cartridge assembly 25220. The firing member 25210 comprises a distally-presented cutting portion 25211 configured to cut tissue when advanced through the system 25200. The firing member is configured to deploy a plurality of staples from the staple cartridge assembly 25220 by advancing a sled 25221 longitudinally through the staple cartridge assembly 25220. The sled 25221 is movable from a proximal unfired position to a distal fully-fired position during a staple firing stroke. The sled 25221 does not retract with the firing member 25210; however, embodiments are envisioned in which the sled 25221 is at least partially retracted.

**[0195]** The surgical instrument system 25200 further comprises a lockout member 25240. The lockout member 25240 is configured to prevent the firing member 25210 from being advanced through its staple firing stroke when a cartridge is not present within the system 25200 or a spent, or partially spent, cartridge is present within the system 25200. The lockout member 25240 comprises a first, or proximal, portion 25241 rotatably mounted to a first spine pin 25201 of the system 25200. The spine pin 25201 may extend from a shaft frame, or spine, of the system 25200, for example. The lockout member 25240 further comprises a second portion 25242, a third, or catch, portion 25243, and a fourth, or distal, portion 25245. The lockout member 25240 is movable between a locked position (FIGS. 52 and 54) and an unlocked position (FIG. 53). The lockout member 25240 is spring-biased into the locked position when a staple cartridge assembly is not properly installed within the system 25200. The lockout member 25240 is also biased into the locked position when a spent, or partially spent, staple cartridge assembly is installed within the system 25200.

**[0196]** When the lockout member 25240 is in its locked position as illustrated in FIG. 52, a firing member pin 25213 mounted on the firing member 25210 is configured to abut a lock face, or shoulder, 25244 of the lockout member 25240. As a result of the lock face 25244, distal advancement of the firing member 25210 is blocked beyond this position. To move the lockout member 25240 from its locked position to its unlocked position, an unspent, ready-to-fire staple cartridge assembly must be installed within the system 25200. An unspent, ready-to-fire staple cartridge assembly comprises a sled 25221 in a proximal unfired position.

**[0197]** The sled 25221 comprises a magnet 25226 oriented with one of its poles "P1" facing the distal portion 25245 of the lockout member 25240 and another pole "P2" facing away from the distal portion 25245 of the lockout member 25240. The distal portion 25245 of the lockout member 25240 comprises a magnet 25246 disposed thereon. The magnet 25246 is orientated with a pole "P1" facing the like pole "P1" of the sled magnet 25226 and another pole "P2" facing away from the sled magnet 25226. The pole P1 of the magnet 25226 and the pole P1 of the magnet 25246 repel each other. This relationship creates a levitational effect when the sled 25221 is in its proximal unfired position (FIG. 53) which pushes, or repels, the lockout member 25240 upward into its unlocked position, lifting the lock face 25244 away from the pin 25213 of the firing member 25210 to permit the pin 25213 to advance beyond the lock face 25142. The firing member 25210 can then be advanced distally to deploy staples and cut tissue during a firing stroke.

[0198] When the firing member 25210 is retracted after its firing stroke, the pin 25213 is configured to contact an angled face of the distal portion 25245 to push the distal portion 25245 and, thus, the lockout member 25240 toward its unlocked position permitting the pin 25213 to pass the lock face 25244 when returning to a home position. Once the pin 25213 passes the lock face 25244, the lockout member 25240 springs back, or returns, to its locked position to prevent to prevent the firing stroke from being repeated with a spent, or partially spent, staple cartridge installed within the system 25100.

[0199] Similar to the system 25100 illustrated in FIGS. 50 and 51, the lockout member 25240 is configured to permit the firing member 25210 to move within a distance “y” to permit the clamping and unclamping of the jaws when the firing member 25210 is relied on for the clamping and unclamping functions. The pin 25213 and, thus, the firing member 25210 can be moved proximally and distally within the catch portion 25243 of the lockout member 25240 even though a staple cartridge is missing from and/or a spent staple cartridge is positioned within the system 25100.

[0200] Another surgical instrument system 25300 is depicted in FIGS. 55-60. The system 25300 comprises another type of lockout arrangement where the system 25300 is configured to be locked out when a cartridge is not installed within the system 25300. The system is further configured to be locked out when a spent, or partially spent, cartridge is installed within the system 25300. The system 25300 comprises a firing member 25310 and a staple cartridge assembly 25320. The firing member 25310 comprises a distally-presented cutting portion 25311 configured to cut tissue when advanced through the system 25300. The firing member 25310 is configured to deploy a plurality of staples from the staple cartridge assembly 25320 by advancing a sled 25330 (FIG. 56) longitudinally through the staple cartridge assembly 25320. The sled 25330 is movable between a proximal unfired position to a distal fully-fired position during a firing stroke. In various instances, the sled 25330 does not retract with the firing member 25310; however, embodiments are envisioned in which the sled 25330 is at least partially retracted.

[0201] The surgical instrument system 25300 further comprises a lockout member 25340. The lockout member 25340 is configured to prevent the firing member 25310 from being advanced through a staple firing stroke when a cartridge is not present within the system 25300 or a spent, or partially spent, cartridge is present within the system 25300. The lockout member 25340 is similar to the lockout members 25140, 25240 in many respects. Referring to FIGS. 58-60, the lockout member 25340 comprises a first, or proximal, portion 25341 rotatably mounted to a first spine pin 25301 of the system 25300. Alternatively, the proximal portion 25341 can be fixedly mounted to the spine 25301 of the system 25300. The lockout member 25340 further comprises a second portion 25342, a third, or catch, portion 25343, and a fourth, or distal, portion 25345. The lockout member 25340 is movable between a locked position (FIGS. 58 and 60) and an unlocked position (FIG. 59). The lockout member 25340 is spring-biased into its locked position when a staple cartridge assembly is not installed within the system 25300. The lockout member 25340 is also biased into its locked position when a spent, or partially spent, staple cartridge assembly is installed within the system 25300.

[0202] The staple cartridge assembly 25320 comprises a sled 25330 and plurality of drivers 25328 configured to eject a staple upon being driven by the ramps 25330A, 25330B, 25330C, and 25330D of the sled 25330 during a staple firing stroke. The staple cartridge assembly 25320 further comprises a control member movable between an unspent position and a spent position by the sled 25330 when the sled 25330 is advanced distally during its staple firing stroke. The control member is in its unspent position when a staple cartridge 25320 is loaded into the surgical instrument system 25300 and is configured to move the lockout member 25340 from its locked position to its unlocked position

when the unspent staple cartridge assembly 25320 is loaded into the surgical instrument system 25300. A first configuration of a proximal driver 25325 is illustrated in FIGS. 55 and 57. The proximal driver 25325 comprises a driver wedge portion 25326 and a magnetic portion 25327. When the proximal driver 25325 is in its unspent position and the sled 25330 is in its unfired position (FIG. 59), the driver wedge portion 25326 is positioned within a sled notch 25331 and the magnetic portion 25327 is in close enough proximity to the distal portion 25327 to attract the distal portion 25327 to move, or lift, the lockout member 25340 into its unlocked position.

[0203] A similar proximal driver configuration is depicted in FIGS. 59 and 60. A proximal driver 25325' comprises a driver wedge portion 25326' and a magnetic portion 25327'. The wedge portion 25326' of the proximal driver 25325' is positioned on the side of the proximal driver 25325'. When the proximal driver 25325' is in its unspent position and the sled 25330 is in its unfired position (FIG. 59), the driver wedge portion 25326' is positioned within the sled notch 25331 and the magnetic portion 25327' is in close enough proximity to the distal portion 25327' to attract the distal portion 25327' to move the lockout member 25340 into its unlocked position. When the driver wedge portion 25326' is positioned within the sled notch 25331, the magnetic portion 25327' is configured to retain the lockout member 25340 in its unlocked position. When the sled 25330 is advanced distally from its unfired position, the sled 25330 drives the proximal driver 25325' so that the driver wedge portion 25326' is driven out of the sled notch 25331. As a result, the magnetic portion 25327' is no longer in close enough proximity to the lockout member 25340 to hold the lockout member in its unlocked position and, therefore, the lockout member is spring-biased into its locked position (FIG. 60). A datum "D" is defined as a top surface of the sled 25330 and, when the bottom of the wedge portion 25326' is aligned with or above the datum D, the magnetic relationship between the distal portion 25345 and the magnetic portion 25327' is insufficient to hold the lockout member 25340 in its unlocked position thus releasing the lockout member 25340.

[0204] Once the lockout member 25340 has been released to its locked position (FIG. 60) and the installed cartridge assembly 25320 has been at least partially spent (FIG. 60), the system 25300 is prevented from re-firing the same cartridge assembly 25320. When the firing member 25310 is retracted, the lockout pin 25312 rides underneath the distal portion to move the lockout member 25340 temporarily out of the way until the lockout pin 25312 reaches the catch portion 25343. When the lockout pin 25312 reaches the catch portion 25343, the lockout member 25340 springs back, or returns, to its locked position. When in its spent position, the magnetic portion 25327' does not pull the lockout member 25340 into its unlocked position. In various instances, the proximal driver 25325' may engage the staple cartridge assembly 25320 in a press-fit manner when the proximal driver 25325' is moved into its spent position by the sled 25330 to prevent the proximal driver 25325' from falling toward its unspent position. Such an arrangement may prevent the lockout member 25340 from being falsely unlocked. In addition to a spent cartridge assembly, not having a cartridge installed within the system 25300 urges the lockout member into its locked position. The mere absence of a proximal driver altogether prevents the lockout member 25340 from moving to its unlocked position.

[0205] The control members 25325, 25325' are driven by the sled 25330 and can be referred to as drivers; however, they do not drive staples. In this way, the control members 25325, 25325' comprise "false" drivers. That said, it is contemplated that the proximal most staple driver of a staple cartridge assembly could be used as a control member.

[0206] Another surgical instrument system is depicted in FIGS. 61-63. The system 25400 comprises a staple cartridge assembly 25410, a lockout circuit system 25420, and a lockout member 25430. The lockout member 25440 is fixedly attached to a spine portion 25401 of the system 25400. The lockout member 25430 further comprises a spring

member, for example, and is biased toward its locked position (FIG. 63). When the lockout member 25430 is in its locked position, a hook portion 25431 of the lockout member 25430 is configured to catch a firing member in the event that the surgical instrument or clinician tries to advance the firing member beyond the lockout member 25440 without an unspent staple cartridge assembly installed within the system 25400.

[0207] To move the lockout member 25440 to its unlocked position so that a firing member can be advanced through the staple cartridge assembly 25410 during a staple firing stroke, an electromagnet 25421 is employed. The electromagnet 25421 is disposed on the spine portion 25401 of the system 25400 but may be disposed at any suitable location within the system 25400. Conductors are positioned within the system 25400 along the spine portion 25401, for example, to power the electromagnet 25421. The lockout circuit system 25420 which encompasses the electromagnet 25421 and its power source extends through the staple cartridge assembly 25410. As discussed below, when the circuit 25420 is complete, or closed, the electromagnet 25421 is powered. When the circuit is not complete, or open, the electromagnet 25421 is not powered. As also discussed below, the presence of a spent, or partially-spent, cartridge in the system 25400 is a scenario where the circuit 25420 is open. The absence of a cartridge in the system 25400 is another scenario where the circuit 25420 is open.

[0208] The lockout circuit system 25420 comprises conductors 25422 extending from the electromagnet 25421 to a pair of electrical contacts 25423 positioned within the system 25400. The electrical contacts 25423 are positioned within a jaw of the system 25400 such as a channel portion which receives the staple cartridge assembly 25410, for example. The staple cartridge assembly 25410 further comprises conductor legs 25425 configured to engage the contacts 25423 when the staple cartridge assembly 25410 is fully seated in the channel portion of the jaw. The conductor legs 25425 are part of an electrical trace 25424 defined within the staple cartridge assembly 25410. The conductor legs 25425 are disposed on a proximal face 25412 of the cartridge assembly 25410. Also disposed on the proximal face 25412 is a severable portion 25426 of the electrical trace 25424 which extends across a slot 25411 of the staple cartridge assembly 25410. A cutting edge of a firing member is configured to sever, or incise, the severable portion 25426 during a staple firing stroke of the firing member.

[0209] When a cartridge assembly is installed and is unspent, further to the above, the severable portion 25426 is not severed and the lockout circuit 25420 is complete, or closed. When the lockout circuit 25420 is complete (FIG. 62), the electromagnet 25421 receives power urging the lockout member 25430 to its unlocked position permitting the firing member to pass thereby. After the severable portion 25426 is severed, or cut, during a firing stroke of the firing member, the surgical instrument detects an incomplete circuit. An incomplete, or open, circuit indicates that the staple cartridge assembly 25410 is in a false configuration. This may be due to having a spent, or partially spent, cartridge installed or to not having a cartridge installed within the system 25400. When the circuit 25420 is incomplete (FIG. 63), for example, in a false configuration, the electromagnet 25421 loses power and releases the lockout member 25430 to its locked position (FIG. 63).

[0210] When the spent staple cartridge assembly 25410 is removed from the surgical instrument system 25400, the lockout circuit 25420 remains in an open state and the electromagnet 25421 remains unpowered. When an unspent staple cartridge assembly 25410 is fully seated in the system 25400, the lockout circuit 25420 is once again closed and the electromagnet 25421 is repowered to unlock the lockout member 25430. Notably, if a staple cartridge assembly

25410 is not fully seated in the system 25400, the legs 25425 will not be engaged with the contacts 25423 and the lockout circuit 25420 will remain in an open, unpowered state.

**[0211]** Another surgical instrument system 25500 is depicted in FIGS. 64 and 65. The system 25500 comprises a staple cartridge 25501 comprising a sled 25510 movable between an unfired position and a fired position. A firing member 25503 is configured to move the sled 25510 from its the unfired position to its fired position to deploy a plurality of staples (not shown) stored within the cartridge 25501 via ramps 25511. The system 25500 further comprises a circuit 25520 configured to indicate to the surgical instrument and/or the user of the system 25500 whether the cartridge installed within the system 25500 is spent, or partially spent, or whether the cartridge installed within the system 25500 is unspent and ready-to-fire. When the sled 25510 is in its unfired position, the sled 25510 completes the circuit 25520 and when the sled 25510 is in its fired, or partially-fired, position, the sled 25510 does not complete the circuit 25520 and the circuit 25520 is open.

**[0212]** The lockout circuit 25520 comprises a pair of conductors 25521 in electrical communication with a surgical instrument handle, for example, and a pair of electrical contacts 25522 positioned within a jaw portion of the surgical instrument system 25500 configured to support the staple cartridge 25501. The electrical contacts 25522 are positioned such that corresponding pads, or contacts, 25523 disposed on a proximal face 25512 of the sled 25510 contact the electrical contacts 25522 when the staple cartridge 25501 is fully seated in the system 25500 and the sled 25510 is in its unfired position (FIG. 65). A tether portion, or conductor, 25524 connects, or electrically couples, the contacts 25523 and is attached to a proximal middle face 25513 of the sled 25510. The contacts 25522 extend to a bottom face of the sled in addition to the proximal face 25512. When the sled 25510 is in its unfired position, the contacts 25523 are engaged with the lockout circuit 25520 and the lockout circuit 25520 is complete indicating an unfired, ready-to-fire staple cartridge. When the lockout circuit 25520 is incomplete, the surgical instrument can be locked out using software and/or a mechanical feature such as those disclosed herein, for example. In at least one instance, the lockout circuit 25520 is in signal communication with a controller of the surgical instrument system 255500 which supplies power to an electric motor of the firing drive when the lockout circuit 25520 is in a closed state and prevents power from being supplied to the electric motor when the lockout circuit 25520 is open.

**[0213]** A firing member lockout arrangement of a system 25600 is depicted in FIGS. 66-70. The system 25600 comprises a firing member 25610, a lockout 25620, and a shaft spine 25601. The shaft spine 25601 houses the lockout 25620 and the firing member 25610. The firing member 25610 comprises a distally-presented cutting edge 25611 configured to incise tissue during a staple firing stroke of the firing member 25610. The lockout 25620 is configured to catch the firing member 25610 when the lockout 25620 is activated and permit the firing member 25610 to pass thereby. Further to the above, the lockout 25620 can be activated by a controller of the system 25600 when an unspent staple cartridge is not positioned in the system 25600.

**[0214]** The lockout 25620 comprises a solenoid 25621 and a mechanical linkage comprising a first link 25623 and a second link 25624. The links 25623, 25624 are attached at a pivot 25622. The solenoid 25621 is positioned within the spine 25601 such that the solenoid 25621 can apply a force to the linkage near the pivot 25622. The lockout 25620 is illustrated in its biased, locked position in FIGS. 66 and 67. The lockout 25620 further comprises a lock body, or cam plate, 25625 pivotably coupled with an end of the second link 25624. The cam plate 25625 is biased into a knife band



window 25612 to catch the firing member 25610 when the solenoid 25621 is in its unactuated configuration as illustrated in FIGS. 66 and 67.

[0215] In various instances, multiple windows are provided in the firing member 25610. Another window, such as the window 25614, may comprise another proximal surface. The window 25614 may act as an intermediate lockout to lock the firing member 25610 in the midst of an operation. An event such as knife binding, for example, may trigger the solenoid 25621 to release the lockout 25620 into its locked position to prevent further actuation of the firing member 25610. In various instances, distal surfaces of the windows in the firing member 25610 may be configured such that when the firing member 25610 is retracted proximally, the cam plate 25625 may glide over the distal surfaces to prevent the locking of the firing member 25610 as the firing member 25610 is moved proximally. In other instances, locking the firing member 25610 as it moves proximally may be desirable.

[0216] In some instances, a lockout can be configured to permit movement in one direction but prevent movement in another direction. For example, slight retraction of the firing member 25610 may be desirable when the distal movement of the firing member 25610 has been locked out. When retracted proximally in such instances, the tissue in the area that caused the firing member 25610 to bind up may naturally decompress and, after a defined time period of waiting for the tissue to decompress, the solenoid 25621 may be activated to move the lockout 25620 into its unlocked position (FIGS. 68 and 69) thus permitting the firing member 25610 to be advanced distally again.

[0217] FIGS. 68-70 illustrate the lockout 25620 in its unlocked position. Upon comparing FIGS. 66 and 67 to FIGS. 68-70, it can be seen that, when actuated, the solenoid 25621 moves the mechanical linkage into a collinear configuration to slide, or urge, the cam plate 25625 out of the window 25612 to unlock the firing member 25610. Slider supports 25603 are provided within the spine 25601 to guide the cam plate 25625 as the solenoid 25621 moves the mechanical linkage. The slider supports 25603, in at least one instance, control the movement of the cam plate 25625 to a linear path, for example.

[0218] Various embodiments are disclosed herein which comprise a lockout configured to prevent a firing member from being advanced distally in certain instances. In many instances, the lockout is more than adequate to block the distal advancement of the firing member. In some instances, it may be desirable to have more than one lockout configured to block the distal advancement of the firing member. In such instances, a primary lockout and a secondary lockout can block the distal advancement of the firing member. As described in greater detail below, the secondary lockout can be actuated as a result of the primary lockout being actuated. For example, the primary lockout can block the distal advancement of the firing member because a staple cartridge jaw is missing from the loading unit, the staple cartridge jaw is improperly attached to the loading unit, and/or the staple cartridge jaw has previously been at least partially fired and, when the distal displacement of the firing member is impeded by the primary lockout, the secondary lockout can be actuated to assist the primary lockout in blocking the distal advancement of the firing member.

[0219] Turning now to FIGS. 82 and 83, a loading unit comprises a shaft 21730 and a firing member system extending through the shaft 21730. The firing member system comprises a first, or proximal, firing member 21760 and a second, or distal, firing member 21762. During a staple firing stroke of the firing member system, the proximal firing member 21760 is pushed distally by an electric motor and/or hand crank, for example. Likewise, the distal firing member 21762 is pushed distally by the proximal firing member 21760. The firing member system further comprises a lockout 21780 positioned intermediate the proximal firing member 21760 and the distal firing member 21762. The

lockout 21780 is configured to transmit a firing force from the proximal firing member 21760 to the distal firing member 21762 during a staple firing stroke. In the event that the force transmitted through the lockout 21780 exceeds the firing force expected during the staple firing stroke, and/or exceeds a predetermined threshold force, the lockout 21780 moves into a locked configuration as illustrated in FIG. 83 and as described in greater detail further below.

[0220] The lockout 21780 comprises lock arms 21782 pivotably mounted to the proximal firing member 21760 at a pivot 21784. The lock arms 21782 are configured to abut drive surfaces 21768 defined on the proximal end of the firing member 21762 and push the firing member 21762 distally. In at least one instance, the drive surfaces 21768 form a conical surface, for example. The lockout 21780 further comprises a biasing member, or spring, 21785 configured to bias the lockout arms 21782 inwardly toward an unlocked configuration, as illustrated in FIG. 82, against the drive surfaces 21768. Each lock arm 21782 comprises a pin 21783 extending therefrom which is configured to mount an end of the spring 21785 thereto. When the lockout 21780 moves into a locked configuration, further to the above, the lock arms 21782 slide relative to the drive surfaces 21768 and splay, or rotate, outwardly into engagement with the shaft 21730. The shaft 21730 comprises a rack, or racks, of teeth 21781 defined therein which are engaged by the lock arms 21782 and prevent the proximal firing member 21760 from being advanced distally.

[0221] Further to the above, the spring 21785 is resiliently stretched when the lock arms 21782 are displaced outwardly. The stiffness of the spring 21785 is selected such that the spring 21785 can hold the lock arms 21782 in their unlocked configuration against the drive surfaces 21768 when the force transmitted from the proximal firing member 21760 to the distal firing member 21762 is below the threshold force yet permit the lock arms 21782 to displace outwardly when the force transmitted from the proximal firing member 21760 to the distal firing member 21762 exceeds the threshold force. The force transmitted between the proximal firing member 21760 and the distal firing member 21762 is below the threshold force when the firing system is firing the staples from a staple cartridge and above the threshold force when the distal firing member 21760 is blocked by a missing cartridge and/or spent cartridge lockout, for example. In such instances, the lockout 21780 is deployed in response to another lockout blocking the advancement of the staple firing system. Stated another way, the lockout 21780 can comprise a secondary lockout which co-operates with a primary lockout to block the advancement of the staple firing system.

[0222] In various instances, further to the above, the lockout 21780 can provide overload protection to the staple firing system. For instance, the staple firing system can become jammed during a firing stroke and the lockout 21780 can deploy to stop the staple firing stroke. In such instances, the lockout 21780 can transfer the firing force, or at least a portion of the firing force, to the shaft 21730 instead of the staple cartridge. As a result, the lockout 21780 can prevent the firing system and/or staple cartridge from being damaged, or at least further damaged. In such instances, the lockout 21780 is deployed in response to a condition of the stapling assembly other than a predefined lockout. Referring again to FIGS. 82 and 83, the teeth racks 21781 are the same length as, or longer than, the firing stroke of the staple firing system such that the lockout 21780 can engage the teeth racks 21781 at any point during the firing stroke.

[0223] When the force being transmitted from the proximal firing member 21760 to the distal firing member 21762 drops below the force threshold, the spring 21785 can resiliently return the lock arms 21782 to their unlocked configuration and into engagement with the drive surfaces 21768 of the distal firing member 21762. At such point, the firing stroke can be completed if the condition that caused the second lockout 21780 to actuate has abated. Otherwise, the proximal firing member 21760 can be retracted.

[0224] Turning now to FIGS. 92-95, a loading unit comprises a shaft 24530 and a staple firing system extending through the shaft 24530. The staple firing system comprises a proximal firing member 24560 and a distal firing member 24562. During a staple firing stroke of the staple firing system, the proximal firing member 24560 is pushed distally by an electric motor and/or hand crank, for example. Likewise, the distal firing member 24562 is pushed distally by the proximal firing member 24560. The staple firing system further comprises a lockout 24580 positioned intermediate the proximal firing member 24560 and the distal firing member 24562. The lockout 24580 is configured to transmit a firing force from the proximal firing member 24560 to the distal firing member 24562 during a staple firing stroke. In the event that the force transmitted through the lockout 24580 exceeds the firing force expected during the staple firing stroke, and/or exceeds a predetermined threshold force, the lockout 24580 moves into a locked configuration as illustrated in FIGS. 94 and 95.

[0225] Referring primarily to FIGS. 93 and 95, the lockout 24580 comprises a substantially C-shaped configuration, for example, which extends around a portion of the distal firing member 24562. The lockout 24580 comprises lock arms 24584 which grip the distal firing member 24562 when the lockout 24580 is in its unactuated, or unlocked, configuration, as illustrated in FIGS. 92 and 93. The lockout 24580 further comprises a drive tab 24582 which is contacted by the proximal firing member 24560 when the proximal firing member 24560 is driven distally during a staple firing stroke of the staple firing system. When the lockout 24580 is pushed distally by the proximal firing member 24560, the lockout 24580 abuts a drive surface 24564 defined on the distal firing member 24562 and pushes the distal firing member 24562 distally. As a result, the lockout 24580 transmits a pushing force from the proximal firing member 24560, through the lock arms 24584, and into the drive surface 24564.

[0226] Referring primarily to FIG. 92, the drive tab 24582 is not co-planar with the lock arms 24584; rather, the drive tab 24582 extends laterally from a plane defined by the lock arms 24584. More particularly, the drive tab 24582 comprises an elevated portion which is upset from the lock arms 24584, at least when the lockout 24580 is in its unactuated configuration. The lockout 24580 is configured to remain in its unactuated configuration so as long as the pushing force being transmitted through the lockout 24580 is below a threshold force. The pushing force required to complete the firing stroke is below this threshold force. When the pushing force transmitted through the lockout 24580 exceeds the threshold force, the lockout 24580 collapses into its actuated configuration as illustrated in FIGS. 94 and 95. The pushing force can exceed the threshold force when the distal firing member 24562 abuts a missing cartridge and/or spent cartridge lockout in the staple cartridge, for example.

[0227] Referring again to FIGS. 94 and 95, the lock arms 24584 splay radially outwardly to engage the shaft 24530 when the lockout 24580 moves into its actuated configuration. In at least one instance, the shaft 24530 can comprise a recess 24534 defined therein which is configured to receive the lock arms 24584. The recess 24534 is defined in the shaft 24530 such that the lock arms 24584 are aligned with the recess 24534 when the distal advancement of the firing system is blocked by a missing cartridge and/or spent cartridge lockout. Once the lock arms 24584 are in the recess 24534, the lockout 24580 can also block the distal advancement of the firing system. In various instances, the recess 24534 is positioned and arranged to stop the firing member 24560 before a cutting member of the firing drive incises tissue. When the proximal firing member 24560 is retracted and the pushing load being applied to the lockout 24580 drops below the threshold force, the lockout 24580 can resiliently return back to its unactuated configuration. At such point, an unspent cartridge can be placed in the loading unit to defeat the missing cartridge and/or spent cartridge

lockout such that the firing system can be advanced distally through its staple firing stroke. At any point, however, the proximal firing member 24560 can be retracted to retract the distal firing member 24562.

[0228] The threshold force of the lockouts described above can be actuated if the staple firing system is accelerated too quickly. Stated another way, an acceleration spike in a staple firing system can cause a force spike which exceeds a threshold force of the lockout which causes the lockout to stop the staple firing system. Such instances can arise when a firing trigger mechanically coupled to the staple firing system is squeezed too quickly and or a power supply is suddenly applied to an electric motor of the staple firing system, for example. In at least one instance, an acceleration spike can occur when the power applied to the electrical motor is improperly modulated and/or when a software fault has occurred in the motor controller, for example. Such acceleration spikes and force spikes are typically transient and the firing stroke can be completed once the force being transmitted through the staple firing system drops back below the threshold force.

[0229] Turning now to FIG. 84, a stapling assembly comprises a shaft 21830 and a firing member 21860 extending therethrough. The stapling assembly further comprises a lockout system 21880. The lockout system 21880 comprises lock arms 21882 rotatably mounted to the staple firing member 21860 about pivots 21884. Each lock arm 21882 is rotatable between an unactuated position, which is shown in solid lines in FIG. 84, and an actuated position, which is shown in phantom lines in FIG. 84. The lockout system 21880 further comprises cantilever springs 21885 mounted to the staple firing member 21860 configured to bias the lock arms 21882 into their unactuated positions. The stapling assembly further comprises an actuator 21862 mounted to the firing member 21860 which is configured to slide, or drag, against the housing of the shaft 21830 when the firing member 21860 is moved distally. When the firing member 21860 is accelerated too quickly, or above a threshold level, the drag force between the actuator 21862 and the shaft 21830 will slow or grip the actuator 21862 and allow the firing member 21860 to slide relative to the actuator 21862. In such instances, the relative movement between the actuator 21862 and the firing member 21860 drives the lock arms 21882 outwardly into engagement with racks of teeth 21881 defined in the shaft 21830 to stop, impeded, or slow the distal progression of the staple firing system.

[0230] Turning now to FIG. 85, a stapling assembly comprises a shaft 21930 and a firing member 21960 configured to be translated within the shaft 21930. The stapling assembly further comprises a lockout system 21980 including a lock arm 21982 rotatably mounted to the staple firing member 21960 about a pivot 21984. The lock arm 21982 is rotatable between an unactuated position, which is shown in solid lines in FIG. 85, and an actuated position, which is shown in phantom lines in FIG. 85. The lockout system 21980 further comprises a coil spring 21985 mounted to the staple firing member 21960 and the lock arm 21982 which is configured to bias the lock arm 21982 into its unactuated position. The lockout system 21980 further comprises an actuator, or weight, 21989 mounted to the lock arm 21982 which is configured to inertially rotate the lock arm 21982 when the firing member 21960 is accelerated distally. When the firing member 21960 is accelerated too quickly, or above a threshold level, the inertial force generated by the weight 21989 is sufficient to overcome the biasing force of the spring 21985 and rotate the lock arm 21982 into engagement with a rack of teeth 21981 defined in the shaft 21930. In such instances, the lockout system 21980 will stop, impede, or slow the distal progression of the staple firing system until the acceleration of the firing member 21960 drops below the threshold and the spring 21985 can pull the lock arm 21982 out of engagement with the rack of teeth 21981.

[0231] In addition to or in lieu of the above, a stapling assembly can comprise means for regulating the speed of a staple firing system which can, in various instances, reduce or smooth acceleration spikes generated within the staple firing system. Turning now to FIG. 86, a stapling assembly can comprise a shaft 22030 and a staple firing member 22060 configured to be translated within the shaft 22030. The stapling assembly further comprises a dampening system 22080 including a dampening member, or bumper, 22081 configured to slow the distal translation and/or proximal translation of the staple firing member 22060. The dampening member 22081 is comprised of a compliant and/or elastomeric material, such as rubber, for example, which is configured to generate a dampening force opposing the pushing force being applied to the firing member 22060 when the firing member 22060 contacts the dampening member 22081. The firing member 22060 extends through an aperture defined in the dampening member 22081 and comprises an annular ridge 22082 configured to engage the dampening member 22081. Although only one dampening member 22081 and shaft ridge 22082 are illustrated in FIG. 86, the stapling assembly can comprise any suitable number of dampening members 22081 and/or shaft ridges 22082, for example.

[0232] Further to the above, the bumper 22081 is positioned within the shaft 22030 such that the ridge 22082 contacts the bumper 22081 just before the firing member 22060 reaches a missing cartridge and/or spent cartridge lockout. In such instances, the dampening system 22080 can reduce the speed of the firing member 22060 before the firing member 22060 reaches a lockout and, as a result, reduce the possibility that the firing member 22060 crashes through, or unintentionally defeats, the lockout.

[0233] Turning now to FIG. 87, a stapling assembly can comprise a shaft 22130 and a staple firing member 22160 configured to be translated within the shaft 22130. The stapling assembly further comprises a hydraulic dampening system 22180 including a cylinder assembly configured to slow the firing member 22160 during its staple firing stroke. The cylinder assembly comprises an input piston 22181 slidably positioned in a chamber 22183 which is sealingly engaged with the sidewalls of the chamber 22183. The cylinder assembly further comprises an output piston 22184 slidably positioned in a chamber 22185 which is sealingly engaged with the sidewalls of the chamber 22185. As illustrated in FIG. 87, a portion of the chamber 22183 is in fluid communication with a portion of the chamber 22185 via a restricted orifice 22189. An incompressible, or substantially incompressible, fluid 22182 is contained in the chambers 22183 and 22185 between the input piston 22181 and the output piston 22184. In at least one instance, the fluid 22182 comprises hydraulic fluid, for example. In certain instances, the fluid 22182 comprises salt water, for example. When the firing member 22160 is advanced distally, the firing member 22160, or a shoulder defined on the firing member 22160, contacts a cam, or angled, surface defined on the input piston 22181 and drives the input piston downwardly into the chamber 22183. In such instances, the input piston 22181 displaces the fluid 22182 into the chamber 22185 which, in turn, displaces the output piston 22184 within the chamber 22185. The movement of the output piston 22184, the fluid 22182, and the input piston 22181 is resisted by a spring 22186 positioned in the chamber 22185. As a result of the above, the dampening system 22180 applies a drag force to the firing member 22160 which increases proportionately with an increase in the speed of the firing member 22160 and can limit the maximum speed of the firing member 22160. Similar to the above, the dampening system 22180 can be positioned in the shaft 22130 so that the firing member 22160 contacts the dampening system 22180 just before, or at least before, the firing member 22160 reaches a lockout.

[0234] Turning now to FIG. 89, a stapling assembly can comprise a shaft 22330 and a firing member 22360 slidable within the shaft 22330. The stapling assembly further comprises a pneumatic piston arrangement 22380 configured to apply a drag force to the firing member 22360. The firing member 22360 comprises a cylindrical, or at least substantially cylindrical, rod extending through a support defined in the shaft 22330 and an integrally-formed piston 22362 slideably positioned in a cylinder 22383 defined in the shaft 22330. The piston arrangement 22380 comprises one or more piston seals 22382 seated within seal grooves extending around the piston 22362. The piston seals 22382 are sealingly engaged with the piston 22362 and a cylinder wall 22381 of the cylinder 22383. The piston arrangement 22380 further comprises one or more seals 22361, seated in seal grooves defined in the shaft support, which are sealingly engaged with the shaft 22330 and the firing member 22360. In various instances, the seals 22361 and 22383 comprise compliant O-rings, for example. In any event, the distal displacement of the firing member 22360 compresses air in the cylinder 22383 and forces the compressed air through a vent 22363 defined in the shaft 22330. This arrangement applies a drag force to the firing member 22360 which increases proportionately with the speed of the firing member 22360.

[0235] Further to the above, the diameter and/or length of the vent 22363 can be selected to limit the speed of the firing member 22360 in a desired manner. Moreover, the seals 22382 are sealingly engaged with the shaft 22330 when the firing member 22360 is advanced distally and retracted proximally and, as a result, the piston arrangement 22380 applies a drag force to the firing member 22360 when the firing member 22360 is advanced distally and retracted proximally. In at least one embodiment, a valve, such as a one-way valve, for example, can be positioned and arranged relative to the vent 22363. The valve can provide an orifice having a smaller diameter when the firing member 22360 is being advanced distally and an orifice having a larger diameter when the firing member 22360 is retracted proximally. In such instances, the vent can apply a larger drag force to the firing member 22360 when the firing member 22360 is being advanced distally as compared to when the firing member 22360 is being retracted proximally for a given speed. As a result, the valve can provide different directional speed limits.

[0236] Turning now to FIG. 88, a stapling assembly can comprise a staple firing shaft 22060 which is displaced distally to eject staples from a staple cartridge. The stapling assembly further comprises means for applying an electromagnetic drag force and/or magnetic drag force to the staple firing shaft 22260. In at least one instance, the stapling assembly comprises a wound conductor coil 22280 which is energized by a power source, such as a battery, for example, such that a current flows through the coil 22280. The wound conductor coil 22280, once energized, creates a magnetic field which interacts with magnetic elements 22282 defined in and/or attached to the shaft 22260. In at least one instance, the magnetic elements 22282 comprise permanent magnets, for example. The polarity of the power source is applied to the coil 22280 such that coil 22280 generates a magnetic field which applies a repulsive force to the ferromagnetic elements 22282 as the firing member 22260 approaches the coil 22280 and, as a result, applies a drag force to the firing member 22360 during the staple firing stroke. The intensity or strength of the magnetic field created by the coil 22280 is stronger near the coil 22280 and, as a result, the drag force applied to the firing member 22360 will be greater near the coil 22280.

[0237] In view of the above, the coil 22280, when energized, can act as a brake and, in certain instances, stop, or at least assist in stopping, the longitudinal movement of the firing member 22360 at the end of the staple firing stroke, for example. In certain instances, the voltage polarity applied to the coil 22280 can be reversed to reverse the flow of

current through the coil 22280 during the retraction stroke of the firing member 22360. In such instances, the coil 22280 can apply a braking force to the firing member 22360 as the firing member 22360 is retracted away from the coil 22280. Although only one coil 22280 is illustrated in FIG. 88, a stapling assembly can comprise any suitable number of energizable coils. In addition to or in lieu of the above, a stapling assembly can comprise one or more permanent magnets mounted to the shaft of the stapling assembly which can apply a magnetic braking force to the staple firing member.

**[0238]** In at least one embodiment, referring again to FIG. 88, a power source is not applied to the coil 22280 and the coil 22280 can act as electric/inductive brake. In such embodiments, the movement of the magnetic elements 22282 through the coil 22280 generates a current in the coil 22280 which, in turn, generates a magnetic field which opposes the movement of the magnetic elements 22282. When the magnetic elements 22282 are moved slowly relative to the coil 22280, the opposing magnetic field exerts a negligible braking force on the firing member 22260. When the magnetic elements 22282 are moved quickly relative to the coil 22280, the opposing magnetic field is much stronger and applies a much stronger braking force to the firing member 22260. The coil 22280 and the magnetic elements 22282 can be positioned and arranged such that the braking force is applied to the firing member 22260 just before, or at least before, the firing member 22260 reaches a missing cartridge and/or spent cartridge lockout.

**[0239]** As discussed above, the firing member of a staple firing system can be driven by an electric motor. A motor controller, that may include a processor, and which can be implemented as a microcontroller, can be utilized to control the voltage supplied to the electric motor and, as a result, control the speed of the staple firing member. In certain instances, the motor controller can utilize pulse width modulation (PWM) and/or frequency modulation (FM), for example, to control the speed of the electric motor. In other instances, the motor controller may not modulate the power supplied to the electric motor. In either event, a stapling assembly can comprise a sensor system in communication with the motor controller which is configured to detect whether or not an unspent staple cartridge, or an unspent staple cartridge jaw, has been attached to the stapling assembly. In the event that the sensor system detects that an unspent staple cartridge is attached to the stapling assembly, the motor controller can recognize a signal from the sensor system indicating the presence of an unspent staple cartridge and operate the electric motor of the staple firing system when the user of the stapling assembly actuates the staple firing system. In the event that the sensor system does not detect an unspent staple cartridge attached to the stapling assembly, the motor controller receives a signal from the sensor system indicating that an unspent cartridge is not attached to the stapling assembly and prevents the electric motor from operating the staple firing system. Such an arrangement can comprise an electronic or software lockout.

**[0240]** In addition to or in lieu of the above, a stapling system can comprise a sensor system configured to track the displacement of a staple firing member. Referring to FIG. 90, a staple firing member 22460 of a stapling assembly 22400 is movable between a proximal, unfired position and a distal, fired position along a staple firing path 22463. A detectable magnetic element 22461, for example, is mounted to the staple firing member 22460 which moves along, or at least substantially along, the staple firing path 22463. In at least one instance, the magnetic element 22461 is a permanent magnet, for example, which is comprised of iron, nickel, and/or any other suitable material. The sensor system comprises a first, or proximal, sensor 22401' and a second, or distal, sensor 22401 which are configured to detect the magnetic element 22461 as it moves along the staple firing path 22463 with the translatable member 22460. The first sensor 22401' and the second sensor 22401 each comprise a Hall Effect sensor; however, the sensors 22401'

and 22401 can comprise any suitable sensor. The sensors 22401' and 22401 output a voltage that varies depending on their respective distances from the magnetic element 22461 (a higher voltage is output when the distance is small and a lesser voltage is output when the distance is great).

[0241] Further to the above, the sensor system comprises a sensor circuit including, among other things, a voltage source 22403, for example, in communication with the sensors 22401' and 22401 which supplies power to the sensors 22401' and 22401. The sensor circuit further comprises a first switch 22405' in communication with the first sensor 22401' and a second switch 22405 in communication with the second sensor 22401. In at least one instance, the switches 22401' and 22401 each comprise a transistor, such as a FET, for example. The outputs of the sensors 22401', 22401 are connected to the central (gate) terminal of the switches 22405', 22405, respectively. Prior to the firing stroke of the staple firing member 22460, the output voltages from the sensors 22401', 22401 are high so that the first switch 22405' and the second switch 22405 are in closed conditions.

[0242] When the magnetic element 22461 passes by the first sensor 22401', the voltage output of the first sensor 22401' is sufficient to change the first switch between a closed condition and an open condition. Similarly, the voltage output of the second sensor 22401 is sufficient to change the second switch 22405 between a closed condition and an open condition when the magnetic element 22461 passes by the second sensor 22401. When both of the switches 22405' and 22405 are in an open condition, a ground potential is applied to an operational amplifier circuit 22406. The operational amplifier circuit 22406 is in signal communication with an input channel of a microcontroller 22490 of the motor controller and, when a ground potential is applied to the operational amplifier circuit 22406, the microcontroller 22490 receives a ground signal from the circuit 22406.

[0243] When the microcontroller 22490 receives a ground signal from the circuit 22406, the microcontroller 22490 can determine that the staple firing stroke has been completed and that the staple cartridge positioned in the stapling assembly 22400 has been completely spent. Other embodiments are envisioned in which the sensor system is configured to detect a partial firing stroke of the staple firing member 22460 and supply a signal to the microcontroller 22490 that indicates that the staple cartridge has been at least partially spent. In either event, the motor controller can be configured to prevent the firing member 22460 from performing another firing stroke until the staple cartridge has been replaced with an unspent cartridge. In at least one instance, further to the above, the sensor system comprises a sensor configured to detect whether the spent cartridge has been detached from the stapling assembly and/or whether an unspent cartridge has been assembled to the stapling assembly.

[0244] Further to the above, the sensor system can be configured to detect whether the firing member 22460 has been retracted along a retraction path 22462. In at least one instance, the magnetic element 22461 can be detected by the sensor 22401 as the magnetic element 22461 is retracted along the path 22462 and change the second switch 22405 back into a closed condition. Similarly, the magnetic element 22461 can be detected by the sensor 22401' as the magnetic element 22461 is retracted along the path 22463 and change the first switch 22405' back into a closed condition. By closing the switches 22405 and 22405', the voltage polarity from the battery 22403 is applied to the circuit 22406 and, as a result, the microprocessor 22490 receives a Vcc signal from the circuit 22406 on its input channel. In various instances, the motor controller can be configured to prevent the electric motor from being operated to perform another staple firing stroke until the firing member 22460 has been fully retracted.



**[0245]** A stapling assembly 25700 comprising a staple cartridge 25730, a firing member 25760, and a lockout 25780 is illustrated in FIGS. 71-74. The staple cartridge 25730 comprises a sled 25770 which is pushed distally by the firing member 25760 during a staple firing stroke of the firing member 25760. During the staple firing stroke, the firing member 25760 pushes the sled 25770 distally from a proximal, unfired position (FIGS. 71 and 72) toward a distal, fired position (FIGS. 73 and 74). The sled 25770 is configured to slide under staples removably stored in staple cavities defined in the staple cartridge 25730 and eject the staples from the staple cavities. In various instances, the staple cartridge 25730 comprises staple drivers which, one, support the staples in the staple cartridge and, two, are driven by the sled 25770 to eject the staples from the staple cavities. After the staple firing stroke of the firing member 25760 has been completed, the firing member 25760 is retracted proximally. Notably, the sled 25770 is not retracted proximally with the firing member 25760.

**[0246]** Further to the above, the lockout 25780 comprises lock arms 25782. Each lock arm 25782 comprises a cantilever beam including a first end mounted to a shaft of the stapling assembly 25700 and a movable second end configured to engage the firing member 25760. The firing member 25760 comprises lock apertures 25762 defined therein which are configured to receive the second ends of the lock arms 25782. When the sled 25770 is in its proximal, unfired position (FIGS. 71 and 72), however, the sled 25770 deflects the lock arms 25782 laterally away from the firing member 25760 and holds the lock arms 25782 out of the lock apertures 25762. As a result, the lockout 25780 does not prevent the firing member 25760 from performing a staple firing stroke when a staple cartridge 25730 is positioned in the stapling assembly 25700 and the sled 25770 of that staple cartridge 25730 is in its unfired position. When the firing member 25760 is advanced distally during its staple firing stroke, the lock apertures 25762 defined in the firing member 25760 are no longer aligned with the lock arms 25782 and, as a result, the lock arms 25782 do not interfere with the stapling firing stroke once it has begun. After the staple firing stroke of the firing member 25760, the firing member 25760 is retracted proximally to its unfired position, as illustrated in FIGS. 73 and 74. At such point, the lock apertures 25762 are re-aligned with the lock arms 25782 and, as the sled 25770 was not returned to its unfired position, the lock arms 25782 can enter into the lock apertures 25762 and lockout the firing member 25760.

**[0247]** As a result of the above, the lockout 25780 comprises a missing cartridge lockout and a spent cartridge lockout. Alternative embodiments are envisioned in which the staple cartridge 25730 is not removable from the stapling assembly 25700. In such embodiments, the lockout 25780 would comprise a spent cartridge lockout.

**[0248]** Referring to FIGS. 75 and 76, a stapling assembly 25800 comprises a staple cartridge 25830 including a cartridge body 25831, a sled 25870 movable distally within the cartridge body 25831, and staple drivers 25880. The cartridge body comprises staple cavities 25832 defined therein and staples removably stored in the staple cavities 25832. The sled 25870 is translatable distally between a proximal, unfired position (FIG. 75) and a distal, fired position during a staple firing stroke. During the staple firing stroke, the sled 25870 contacts the staple drivers 25880 and drives the staple drivers 25880 upwardly within the staple cavities 25832, as illustrated in FIG. 76. Notably, the cartridge body 25831 comprises several longitudinal rows of staple cavities 25832 defined therein and the staple drivers 25880 are arranged in longitudinal rows which are aligned with the longitudinal rows of staple cavities 25832. During the staple firing stroke of the sled 25870, the staple drivers 25880 and the staples are driven sequentially as the sled 25870 is advanced distally. Stated another way, the proximal-most staple drivers 25880 and staples are fired before the distal-

most drivers 25880 and staples are fired. In various instances, the firing of the proximal-most staple drivers 25880 marks the beginning of the staple firing stroke.

[0249] Referring again to FIGS. 75 and 76, the staple cartridge 25830 comprises a lockout circuit configured to detect when the staple cartridge 25830 has been at least partially fired. A portion of the lockout circuit extends through the cartridge body 25831 and includes electrical contacts 25834. Another portion of the lockout circuit extends through the proximal-most staple driver 25880 and includes electrical contacts 25884 which are aligned with the electrical contacts 25834. When the staple cartridge 25830 is in its unfired condition (FIG. 75), the driver contacts 25884 abut the cartridge body contacts 25834 and, as a result, the lockout circuit is in a closed condition. When the proximal-most staple driver 25880 is lifted upwardly by the sled 25870, the driver contacts 25884 are disengaged from the cartridge body contacts 25834 and the lockout circuit is opened. The lockout circuit is in signal communication with a controller of the stapling assembly 25800 which is configured to interpret that the opening of the lockout circuit means that the staple cartridge 25830 in the stapling assembly 25800 has been at least partially fired and that the staple firing system should not be operated a second, or additional, time without the staple cartridge 25830 being replaced with an unspent staple cartridge 25830. Once an unspent staple cartridge 25830 has been positioned in the stapling assembly 25800 and the lockout circuit is closed by the unspent staple cartridge 25830, the controller can permit the staple firing system to be operated once again.

[0250] In various instances, referring again to FIG. 76, the proximal-most staple driver 25880 is in a slight friction-fit engagement with the sidewalls of a staple cavity 25832. As a result, the proximal-most staple driver 25880 stays in its fired position after it has been lifted upwardly by the sled 25870 and, as such, the driver contacts 25884 are held out of contact with the cartridge body contacts 25834 once the lockout circuit is opened and the possibility of the lockout circuit re-closing is reduced.

[0251] As described above, the staple firing stroke of the staple cartridge 25830 opens the lockout circuit. In alternative embodiments, the staple firing stroke of a staple cartridge can close a lockout circuit. In such embodiments, the controller of the stapling assembly can interpret that the closing of the lockout circuit means that the staple cartridge has been at least partially fired and that the staple firing system should not be operated a second, or additional, time without the staple cartridge being replaced with an unspent staple cartridge.

[0252] In addition to or in lieu of the above, a stapling assembly can include a detection circuit configured to detect when the distal-most staple driver 25880 and staple have been fired. In at least one such instance, the distal-most staple driver 25880 can have the contact arrangement described above, and/or any other suitable arrangement, which changes the condition of the detection circuit. The controller of the stapling assembly can interpret that the change in condition of the detection circuit means that the staple cartridge has been completely fired and that the staple firing system should be retracted, for instance.

[0253] Turning now to FIGS. 77 and 78, a stapling assembly 25900 comprises a shaft 25910, an anvil jaw 25920, and a staple cartridge jaw which is removably attachable to a frame of the shaft 25910. The stapling assembly 25900 further comprises an articulation joint 25940 configured to permit the anvil jaw 25920 and the staple cartridge jaw to articulate relative to the shaft 25910. Similar to the embodiments described herein, the staple cartridge jaw is movable between an open position and a closed position to clamp the tissue of a patient against the anvil jaw 25920.

[0254] The stapling assembly 25900 further comprises a lockout circuit 25980 configured to detect when the staple cartridge jaw is in its closed position. The lockout circuit 25980 comprises conductors 25984 extending through the shaft 25910 and an electrode pad 25982 positioned in the anvil jaw 25920. The conductors 25984 place the electrode pad 25982 in communication with a controller of the stapling assembly 25900 and, in various instances, the controller can apply a voltage potential across the conductors 25984 to create a monitoring current within the lockout circuit 25980. As described in greater detail below, the controller is configured to evaluate the impedance and/or resistivity of the lockout circuit 25980 and monitor for changes in the impedance and/or resistivity of the lockout circuit 25980 via the monitoring current.

[0255] Further to the above, referring primarily to FIG. 78, the staple cartridge jaw comprises a pin 25932 configured to puncture and/or deform the electrode pad 25982 when the staple cartridge jaw is moved into its closed position. The pin 25932 is comprised of stainless steel, for example, and disrupts the impedance and/or resistivity of the lockout circuit 25980 which is detected by the controller. Such a disruption can inform the controller that, one, a staple cartridge jaw has been attached to the stapling assembly 25900 and, two, the staple cartridge jaw has been closed. At such point, the controller can electronically unlock the staple firing system and permit the staple firing system to perform its staple firing stroke. In at least one such instance, the staple firing system comprises an electric motor and a battery, wherein the controller comprises an electronic or software lockout that prevents the battery from supplying sufficient power to the electric motor to perform the staple firing stroke until the controller detects that a sufficient change in a parameter of the lockout circuit 25980 has occurred. As a result, the staple firing system of the stapling assembly 25900 cannot be operated until the staple cartridge jaw has been closed.

[0256] Referring again to FIG. 77, the lockout circuit 25980 extends through the shaft 25910 and the anvil jaw 25920, but not the staple cartridge jaw. While the pin 25932 of the staple cartridge jaw disrupts the lockout circuit 25980, as described above, the pin 25932 is electrically insulated within the staple cartridge jaw and does not close or open the lockout circuit 25980.

[0257] Alternatively, referring again to FIGS. 77 and 78, the pin 25932 is part of the lockout circuit 25980 and the electrode pad 25982 comprises a contact which is punctured by the pin 25932. In such embodiments, the pin 25932 closes the lockout circuit when the pin 25932 engages the electrode pad 25982 such that a sensing current can flow between the pin 25932 and the electrode pad 25982. In at least one instance, the electrode pad 25982 can be comprised of a self-healing material, such as a conductive gel, for example. In various instances, the pin 25932 may puncture tissue before entering into the electrode pad 25982. Referring again to FIG. 77 the electrode pad 25982 can comprise a wipe pad 25983 configured to at least partially clean the pin 25932 before the pin 25932 enters into the electrode pad 25982.

[0258] Referring to FIGS. 79 and 80, the shaft 25910 comprises an outer housing 25911 including a longitudinal slot 25912 defined therein which is configured to slidably receive a firing member 25960. The longitudinal slot 25912 extends through the articulation joint 25940 and into the anvil jaw 25920 and the staple cartridge jaw. When the anvil jaw 25920 and the staple cartridge jaw are in an unarticulated orientation, the longitudinal slot 25912 is straight, or does not include a change in direction. When the anvil jaw 25920 and the staple cartridge jaw are in an articulated orientation, the longitudinal slot 25912 comprises a change in direction. As a result, the firing member 25960 needs to be sufficiently flexible to pass through the articulation joint 25940. Such flexibility of the firing member 25960,

however, may cause the firing member 25960 to buckle during the staple firing stroke. To prevent or reduce such buckling, the stapling assembly 25900 further comprises anti-buckling, or anti-blowout, plates 25944 positioned on opposite sides of the firing member 25960 which are configured to support the firing member 25960 within and/or adjacent to the articulation joint 25940. In at least one instance, the anti-buckling plates 25944 are positioned in the shaft 25910 proximally with respect to the articulation joint 25940.

[0259] Further to the above, the shaft 25910 and the articulation joint 25940 include routing channels defined therein configured to receive the conductors 25984 of the lockout circuit 25980. For instance, the shaft 25910 comprises channels 25915 defined in the outer housing 25911 of the shaft 25910. In at least one such instance, a first conductor 25984 extends through a first channel 25915 and a second conductor 25984 extends through a second channel 25915. Moreover, each anti-buckling plate 25984 comprises a channel 25945 defined therein configured to receive a conductor 25984. The channels 25945 are aligned, or at least substantially aligned, with the channels 25915.

[0260] Referring to FIG. 81, a staple cartridge 26230 comprises a longitudinal slot 26231 and longitudinal rows of staple cavities 26232 defined therein. During a staple firing stroke, a firing member, such as the firing member 25960, for example, is configured to slide within the longitudinal slot 26231 to push a sled, such as sled 25770, for example, distally to eject staples from the staple cavities 26232. Similar to the above, the firing member 25960 and the sled 25770 sequentially eject the staples from the staple cavities 26232 and, as a result, sequentially deform the staples against an anvil, such as the anvil 25920, for example. The pushing force transmitted through the firing member 25960 to sequentially deform the staples is rarely, if ever, constant. Rather, the pushing force typically includes a series of spikes which are coincident with the staples being deformed against the anvil. FIG. 81A illustrates such force spikes. More particularly, FIG. 81A illustrates a typical force profile 26260 of the pushing force (F) experienced by the firing member 25960 over the length (L) of the staple firing stroke. The force profile 26260 comprises peaks 26261 and valleys 26262 between the peaks 26261.

[0261] In various instances, further to the above, the controller of a stapling assembly can be configured to monitor the pushing force being applied to the firing member 25960. In at least one instance, the staple firing system comprises an electric motor configured to drive the firing member 25960 and, in such instances, the current drawn by the electric motor during the staple firing stroke can be monitored as a proxy for the pushing force being applied to the firing member 25960. In fact, a chart comparing the current drawn by the electric motor over the staple firing stroke may look very similar to the force profile 26260 illustrated in FIG. 81A. In certain embodiments, a force transducer can be utilized to monitor the pushing force. In any event, the controller can count the peaks 26261 of the force profile 26260 during the firing stroke and stop the staple firing stroke after a predetermined count threshold has been reached. In at least one such instance, a staple cartridge can comprise 100 staples removably stored therein and, after the controller has counted 100 force and/or current spikes, the controller can interrupt the power to the electric motor, for example, as it can be assumed that the staple firing stroke has been completed.

[0262] In various instances, further to the above, a stapling assembly can be configured for use with staple cartridges having different lengths and/or different quantities of staples stored therein. For example, the stapling assembly can be usable with a first staple cartridge configured to apply an approximately 45 mm staple line and a second staple cartridge configured to apply an approximately 60 mm staple line. The first staple cartridge comprises a first quantity of staples removably stored therein and the second staple cartridge comprises a second quantity of staples

removably stored therein which is more than the first quantity. When the first staple cartridge is being used with the stapling assembly, the controller is configured to stop the staple firing stroke after the controller identifies a first number of force spikes and, similarly, the controller is configured to stop the staple firing stroke after the controller identifies a second number of force spikes when the second staple cartridge is being used with the stapling assembly. Stated another way, the controller can be configured to evaluate the force profile of the first cartridge, such as force profile 26260, for example, and the force profile of the second cartridge, such as force profile 26260', for example. Moreover, the controller can be configured to monitor the force profiles of any suitable number of staple cartridges.

**[0263]** Further to the above, the staple cartridges that can be used with a stapling assembly can comprise unique identifiers that can assist the controller of the stapling assembly in identifying the type of staple cartridge that is attached to the stapling assembly. In at least one instance, the staple cartridges have unique RFID tags which can communicate with the controller of the stapling assembly, for example. In certain instances, the staple cartridges have bar codes thereon which can be scanned before they are used with the stapling assembly, for example. Once the controller identifies the type of staple cartridge attached to the stapling assembly, the controller can determine the appropriate length of the staple firing stroke. In at least one instance, information regarding the appropriate firing stroke length for a staple cartridge can be stored in a memory device, for example, in communication with a microprocessor of the controller.

**[0264]** In addition to or in lieu of the above, a staple cartridge, such as the staple cartridge 26230, for example, can be configured to create detectable force spikes in the pushing force and/or current spikes being drawn by the electric motor at the end of the staple firing stroke. Referring to FIG. 81, the staple cartridge 26230 comprises one or more bridges 26233 extending across the longitudinal slot 26231 near the distal end of the longitudinal slot 26231, i.e., near the distal end of the staple firing stroke. As the firing member 26260 is advanced distally, the firing member 26260 contacts the bridges 26233 and breaks and/or incises the bridges 26233 which creates spikes in the pushing force and/or supply current which are different than the spikes created when the staples are deformed. In at least one instance, the spikes created by defeating the bridges 26233 are much larger than the spikes created by deforming the staples and the controller is configured to discern the difference in such spikes. Once the controller identifies that certain spikes have been created by the bridges, the controller can stop the staple firing stroke. As the reader should appreciate, such an arrangement would allow the controller to stop the staple firing system at the appropriate moment regardless of the length of the staple cartridge attached to the stapling assembly and/or regardless of the number of staples stored in the staple cartridge, for example.

**[0265]** Many of the surgical instrument systems described herein are motivated by an electric motor; however, the surgical instrument systems described herein can be motivated in any suitable manner. In various instances, the surgical instrument systems described herein can be motivated by a manually-operated trigger, for example. In certain instances, the motors disclosed herein may comprise a portion or portions of a robotically controlled system. Moreover, any of the end effectors and/or tool assemblies disclosed herein can be utilized with a robotic surgical instrument system. U.S. Patent Application Serial No. 13/118,241, entitled SURGICAL STAPLING INSTRUMENTS WITH ROTATABLE STAPLE DEPLOYMENT ARRANGEMENTS, now U.S. Patent No. 9,072,535, for example, discloses several examples of a robotic surgical instrument system in greater detail. The entire disclosure of U.S. Patent Application

Serial No. 13/118,241, entitled SURGICAL STAPLING INSTRUMENTS WITH ROTATABLE STAPLE DEPLOYMENT ARRANGEMENTS, now U.S. Patent No. 9,072,535 is incorporated by reference herein.

[0266] The surgical instrument systems described herein have been described in connection with the deployment and deformation of staples; however, the embodiments described herein are not so limited. Various embodiments are envisioned which deploy fasteners other than staples, such as clamps or tacks, for example. Moreover, various embodiments are envisioned which utilize any suitable means for sealing tissue. For instance, an end effector in accordance with various embodiments can comprise electrodes configured to heat and seal the tissue. Also, for instance, an end effector in accordance with certain embodiments can apply vibrational energy to seal the tissue.

[0267] The entire disclosures of:

European Patent Application No. EP 795298, entitled LINEAR STAPLER WITH IMPROVED FIRING STROKE, which was filed on March 12, 1997;

U.S. Patent No. 5,605,272, entitled TRIGGER MECHANISM FOR SURGICAL INSTRUMENTS, which issued on February 25, 1997;

U.S. Patent No. 5,697,543, entitled LINEAR STAPLER WITH IMPROVED FIRING STROKE, which issued on December 16, 1997;

U.S. Patent Application Publication No. 2005/0246881, entitled METHOD FOR MAKING A SURGICAL STAPLER, which published on November 10, 2005;

U.S. Patent Application Publication No. 2007/0208359, entitled METHOD FOR STAPLING TISSUE, which published on September 6, 2007;

U.S. Patent No. 4,527,724, entitled DISPOSABLE LINEAR SURGICAL STAPLING INSTRUMENT, which issued on July 9, 1985;

U.S. Patent No. 5,137,198, entitled FAST CLOSURE DEVICE FOR LINEAR SURGICAL STAPLING INSTRUMENT, which issued on August 11, 1992;

U.S. Patent No. 5,405,073, entitled FLEXIBLE SUPPORT SHAFT ASSEMBLY, which issued on April 11, 1995;

U.S. Patent No. 8,360,297, entitled SURGICAL CUTTING AND STAPLING INSTRUMENT WITH SELF ADJUSTING ANVIL, which issued on January 29, 2013;

U.S. Patent Application Serial No. 14/813,242, entitled SURGICAL INSTRUMENT COMPRISING SYSTEMS FOR ASSURING THE PROPER SEQUENTIAL OPERATION OF THE SURGICAL INSTRUMENT, which was filed on July 30, 2015;

U.S. Patent Application Serial No. 14/813,259, entitled SURGICAL INSTRUMENT COMPRISING SEPARATE TISSUE SECURING AND TISSUE CUTTING SYSTEMS, which was filed on July 30, 2015;

U.S. Patent Application Serial No. 14/813,266, entitled SURGICAL INSTRUMENT COMPRISING SYSTEMS FOR PERMITTING THE OPTIONAL TRANSECTION OF TISSUE, which was filed on July 30, 2015;

U.S. Patent Application Serial No. 14/813,274, entitled SURGICAL INSTRUMENT COMPRISING A SYSTEM FOR BYPASSING AN OPERATIONAL STEP OF THE SURGICAL INSTRUMENT; which was filed on July 30, 2015;

U.S. Patent No. 5,403,312, entitled ELECTROSURGICAL HEMOSTATIC DEVICE, which issued on April 4, 1995;

U.S. Patent No. 7,000,818, entitled SURGICAL STAPLING INSTRUMENT HAVING SEPARATE DISTINCT CLOSING AND FIRING SYSTEMS, which issued on February 21, 2006;

U.S. Patent No. 7,422,139, entitled MOTOR-DRIVEN SURGICAL CUTTING AND FASTENING INSTRUMENT WITH TACTILE POSITION FEEDBACK, which issued on September 9, 2008;

U.S. Patent No. 7,464,849, entitled ELECTRO-MECHANICAL SURGICAL INSTRUMENT WITH CLOSURE SYSTEM AND ANVIL ALIGNMENT COMPONENTS, which issued on December 16, 2008;

U.S. Patent No. 7,670,334, entitled SURGICAL INSTRUMENT HAVING AN ARTICULATING END EFFECTOR, which issued on March 2, 2010;

U.S. Patent No. 7,753,245, entitled SURGICAL STAPLING INSTRUMENTS, which issued on July 13, 2010;

U.S. Patent No. 8,393,514, entitled SELECTIVELY ORIENTABLE IMPLANTABLE FASTENER CARTRIDGE, which issued on March 12, 2013;

U.S. Patent Application Serial No. 11/343,803, entitled SURGICAL INSTRUMENT HAVING RECORDING CAPABILITIES; now U.S. Patent No. 7,845,537;

U.S. Patent Application Serial No. 12/031,573, entitled SURGICAL CUTTING AND FASTENING INSTRUMENT HAVING RF ELECTRODES, filed February 14, 2008;

U.S. Patent Application Serial No. 12/031,873, entitled END EFFECTORS FOR A SURGICAL CUTTING AND STAPLING INSTRUMENT, filed February 15, 2008, now U.S. Patent No. 7,980,443;

U.S. Patent Application Serial No. 12/235,782, entitled MOTOR-DRIVEN SURGICAL CUTTING INSTRUMENT, now U.S. Patent No. 8,210,411;

U.S. Patent Application Serial No. 12/249,117, entitled POWERED SURGICAL CUTTING AND STAPLING APPARATUS WITH MANUALLY RETRACTABLE FIRING SYSTEM, now U.S. Patent No. 8,608,045;

U.S. Patent Application Serial No. 12/647,100, entitled MOTOR-DRIVEN SURGICAL CUTTING INSTRUMENT WITH ELECTRIC ACTUATOR DIRECTIONAL CONTROL ASSEMBLY, filed December 24, 2009; now U.S. Patent No. 8,220,688;

U.S. Patent Application Serial No. 12/893,461, entitled STAPLE CARTRIDGE, filed September 29, 2012, now U.S. Patent No. 8,733,613;

U.S. Patent Application Serial No. 13/036,647, entitled SURGICAL STAPLING INSTRUMENT, filed February 28, 2011, now U.S. Patent No. 8,561,870;

U.S. Patent Application Serial No. 13/118,241, entitled SURGICAL STAPLING INSTRUMENTS WITH ROTATABLE STAPLE DEPLOYMENT ARRANGEMENTS, now U.S. Patent No. 9,072,535;

U.S. Patent Application Serial No. 13/524,049, entitled ARTICULATABLE SURGICAL INSTRUMENT COMPRISING A FIRING DRIVE, filed on June 15, 2012; now U.S. Patent No. 9,101,358;

U.S. Patent Application Serial No. 13/800,025, entitled STAPLE CARTRIDGE TISSUE THICKNESS SENSOR SYSTEM, filed on March 13, 2013, now U.S. Patent Application Publication No. 2014/0263551;

U.S. Patent Application Serial No. 13/800,067, entitled STAPLE CARTRIDGE TISSUE THICKNESS SENSOR SYSTEM, filed on March 13, 2013, now U.S. Patent Application Publication No. 2014/0263552;

U.S. Patent Application Publication No. 2007/0175955, entitled SURGICAL CUTTING AND FASTENING INSTRUMENT WITH CLOSURE TRIGGER LOCKING MECHANISM, filed January 31, 2006; and

U.S. Patent Application Publication No. 2010/0264194, entitled SURGICAL STAPLING INSTRUMENT WITH AN ARTICULATABLE END EFFECTOR, filed April 22, 2010, now U.S. Patent No. 8,308,040, are hereby incorporated by reference herein.

**[0268]** Although various devices have been described herein in connection with certain embodiments, modifications and variations to those embodiments may be implemented. Also, where materials are disclosed for certain components, other materials may be used. Furthermore, according to various embodiments, a single component may be replaced by multiple components, and multiple components may be replaced by a single component, to perform a given function or functions. The foregoing description and following claims are intended to cover all such modification and variations.

**[0269]** The devices disclosed herein can be designed to be disposed of after a single use, or they can be designed to be used multiple times. In either case, however, a device can be reconditioned for reuse after at least one use.

Reconditioning can include any combination of the steps including, but not limited to, the disassembly of the device, followed by cleaning or replacement of particular pieces of the device, and subsequent reassembly of the device. In particular, a reconditioning facility and/or surgical team can disassemble a device and, after cleaning and/or replacing particular parts of the device, the device can be reassembled for subsequent use. Those skilled in the art will appreciate that reconditioning of a device can utilize a variety of techniques for disassembly, cleaning/replacement, and reassembly. Use of such techniques, and the resulting reconditioned device, are all within the scope of the present application.

**[0270]** The devices disclosed herein may be processed before surgery. First, a new or used instrument may be obtained and, when necessary, cleaned. The instrument may then be sterilized. In one sterilization technique, the instrument is placed in a closed and sealed container, such as a plastic or TYVEK bag. The container and instrument may then be placed in a field of radiation that can penetrate the container, such as gamma radiation, x-rays, and/or high-energy electrons. The radiation may kill bacteria on the instrument and in the container. The sterilized instrument may then be stored in the sterile container. The sealed container may keep the instrument sterile until it is opened in a medical facility. A device may also be sterilized using any other technique known in the art, including but not limited to beta radiation, gamma radiation, ethylene oxide, plasma peroxide, and/or steam.

**[0271]** While this invention has been described as having exemplary designs, the present invention may be further modified within the spirit and scope of the disclosure. This application is therefore intended to cover any variations, uses, or adaptations of the invention using its general principles.

**[0272]** Any patent, publication, or other disclosure material, in whole or in part, that is said to be incorporated by reference herein is incorporated herein only to the extent that the incorporated materials do not conflict with existing definitions, statements, or other disclosure material set forth in this disclosure. As such, and to the extent necessary, the disclosure as explicitly set forth herein supersedes any conflicting material incorporated herein by reference. Any material, or portion thereof, that is said to be incorporated by reference herein, but which conflicts with existing definitions, statements, or other disclosure material set forth herein will only be incorporated to the extent that no conflict arises between that incorporated material and the existing disclosure material.



## WHAT IS CLAIMED IS:

1. A surgical instrument system, comprising:
  - an unspent staple cartridge comprising staples removably stored therein;
  - a firing drive comprising a firing member movable between a proximal position and a distal position to eject said staples from said unspent staple cartridge during a firing stroke;
  - an end effector, comprising:
    - a first jaw configured to receive said unspent staple cartridge; and
    - a second jaw comprising an anvil configured to deform said staples;
  - a sensor system configured to detect whether said unspent staple cartridge is seated in said first jaw;
  - a firing drive lockout configurable in:
    - a locked configuration in which said firing drive lockout is engaged with said firing member and prevents said firing member from being moved through said firing stroke; and
    - an unlocked configuration in which said firing drive lockout is disengaged from said firing member;
  - a biasing member configured to bias said firing drive lockout into said locked configuration; and
  - a controller, wherein said sensor system and said firing drive lockout are in communication with said controller, and wherein said controller is configured to place said firing drive lockout in said unlocked configuration when said sensor system detects that said unspent staple cartridge is seated in said first jaw.
2. The surgical instrument system of Claim 1, wherein said firing drive lockout comprises:
  - a lock, wherein said biasing member is configured to push said lock into engagement with said firing member;and
  - an electric actuator configured to push said lock out of engagement with said firing member.
3. The surgical instrument system of Claim 2, wherein said electric actuator comprises a solenoid.
4. The surgical instrument system of Claim 2, wherein said firing member comprises an elongate longitudinal lock aperture defined therein, and wherein said lock is biased into said elongate longitudinal lock aperture by said biasing member.
5. The surgical instrument system of Claim 4, wherein one of said first jaw and said second jaw comprises a movable jaw rotatable between an open position and a closed position, wherein said firing member is configured to engage said movable jaw and move said movable jaw from said open position to said closed position during a closing stroke, and wherein said elongate longitudinal slot is configured to permit said firing member to be moved through said closing stroke when said firing drive lockout is in said locked configuration.
6. The surgical instrument system of Claim 1, wherein said second jaw is rotatable relative to said first jaw between an open position and a closed position, and wherein said firing member is configured to engage said second jaw and move said second jaw from said open position to said closed position during a closing stroke.

7. The surgical instrument system of Claim 1, wherein said first jaw is rotatable relative to said second jaw between an open position and a closed position, and wherein said firing member is configured to engage said first jaw and move said first jaw from said open position to said closed position during a closing stroke.
8. The surgical instrument system of Claim 7, wherein said firing drive lockout does not prevent said firing member from being moved through said closing stroke.
9. The surgical instrument system of Claim 1, wherein said firing drive further comprises:  
an electric motor configured to move said firing member through said firing stroke; and  
a battery, wherein said controller is in communication with said electric motor and said battery, wherein said controller is configured to prevent said battery from supplying electrical power to said electric motor to perform said firing stroke when said sensor system detects that said unspent staple cartridge is not seated in said first jaw.
10. The surgical instrument system of Claim 1, wherein said unspent staple cartridge comprises a sled movable between an unfired position and a fired position by said firing member during said firing stroke, wherein said sled is in said unfired position in said unspent staple cartridge, and wherein said unspent staple cartridge becomes a spent staple cartridge when said sled is moved toward said fired position during said firing stroke.
11. The surgical instrument system of Claim 10, wherein said sensor system comprises an electrical circuit in an open condition when said unspent staple cartridge is not seated in said first jaw, wherein said sled comprises a conductive portion which closes said electrical circuit when said unspent staple cartridge is seated in said first jaw, and wherein said controller is configured to determine whether said electrical circuit is in said open condition and said closed condition.
12. The surgical instrument system of Claim 11, wherein said electrical circuit comprises a first electrical contact and a second electrical contact, wherein said conductive portion of said sled is engaged with said first electrical contact and said second electrical contact when said unspent staple cartridge is seated in said first jaw, and wherein said conductive portion of said sled is not engaged with at least one of said first electrical contact and said second electrical contact to re-open said electrical circuit once said sled has been moved toward said fired position.
13. The surgical instrument system of Claim 12, wherein said firing drive further comprises:  
an electric motor configured to move said firing member through said firing stroke; and  
a battery, wherein said controller is in communication with said electric motor and said battery, and wherein said controller is configured to permit said battery to supply electrical power to said electric motor to complete said firing stroke after said sensor system detects that said electrical circuit has been re-opened.

14. The surgical instrument system of Claim 11, wherein said firing member comprises a cutting portion, and wherein said cutting portion is configured to transect said conductive portion of said sled during said firing stroke to re-open said electrical circuit.
15. The surgical instrument system of Claim 14, wherein said firing drive further comprises:  
an electric motor configured to move said firing member through said firing stroke; and  
a battery, wherein said controller is in communication with said electric motor and said battery, and wherein said controller is configured to permit said battery to supply electrical power to said electric motor to complete said firing stroke after said sensor system detects that said electrical circuit has been re-opened.
16. The surgical instrument system of Claim 11, wherein one of said first jaw and said second jaw comprises a movable jaw movable between an open position and a closed position, wherein said firing member is configured to engage said movable jaw and move said movable jaw from said open position to said closed position during a closing stroke, and wherein said firing drive further comprises:  
an electric motor configured to move said firing member through said closing stroke and said firing stroke; and  
a battery, wherein said controller is in communication with said electric motor and said battery, and wherein said controller is configured to permit said battery to supply electrical power to said electric motor to perform said closing stroke when said unspent staple cartridge is not seated within said first jaw.
17. A surgical instrument system, comprising:  
an unspent staple cartridge comprising staples removably stored therein, wherein said unspent staple cartridge becomes a spent staple cartridge after at least one of said staples has been ejected therefrom;  
a firing drive comprising a firing member movable between a proximal position and a distal position to eject said staples from said unspent staple cartridge during a firing stroke to staple the tissue of a patient, wherein said firing drive comprises a cutting edge configured to incise the tissue being stapled;  
an end effector, comprising:  
a first jaw configured to receive said unspent staple cartridge; and  
a second jaw comprising an anvil configured to deform said staples;  
a sensor system configured to detect whether said unspent staple cartridge has been seated in said first jaw and whether said unspent staple cartridge has become said spent staple cartridge;  
a firing drive lockout configurable in:  
a locked configuration in which said firing drive lockout is engaged with said firing member and prevents said firing member from being moved through said firing stroke; and  
an unlocked configuration in which said firing drive lockout is disengaged from said firing member;  
and  
a controller, wherein said sensor system and said firing drive lockout are in communication with said controller, wherein said controller is configured to place said firing drive lockout in said unlocked configuration when said sensor system detects that said unspent staple cartridge has been seated in said first jaw, and wherein said controller

is configured to place said firing drive lockout in said locked configuration if said unspent staple cartridge has not been seated in said first jaw.

18. A surgical instrument system, comprising:
- an unspent staple cartridge comprising staples removably stored therein and a sled movable from an unfired position to a fired position to eject said staples therefrom during a firing stroke;
  - a firing drive configured to move said sled;
  - an end effector, comprising:
    - a first jaw configured to receive said unspent staple cartridge; and
    - a second jaw comprising an anvil configured to deform said staples;
  - a sensor system configured to detect whether said unspent staple cartridge has been seated in said first jaw;
  - an electronic firing drive lockout configurable in:
    - a locked configuration in which said firing drive lockout is locked to said firing drive and prevents said sled from being moved through said firing stroke; and
    - an unlocked configuration in which said firing drive lockout is unlocked from said firing drive; and
  - a controller, wherein said sensor system and said firing drive lockout are in communication with said controller, wherein said controller is configured to place said firing drive lockout in said unlocked configuration when said sensor system detects that said unspent staple cartridge has been seated in said first jaw, and wherein said controller is configured to place said firing drive lockout in said locked configuration if said unspent staple cartridge has not been seated in said first jaw.

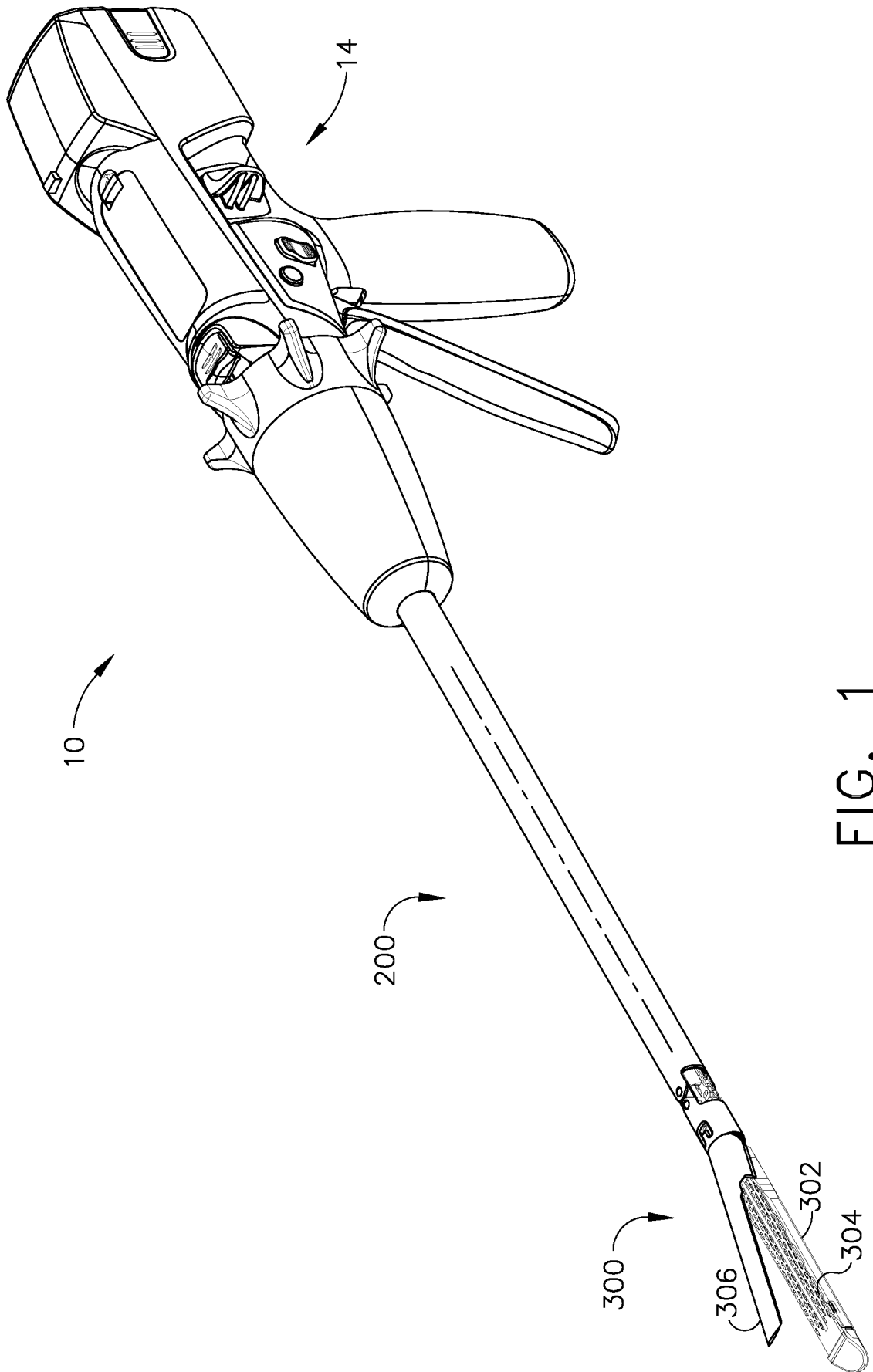


FIG. 1

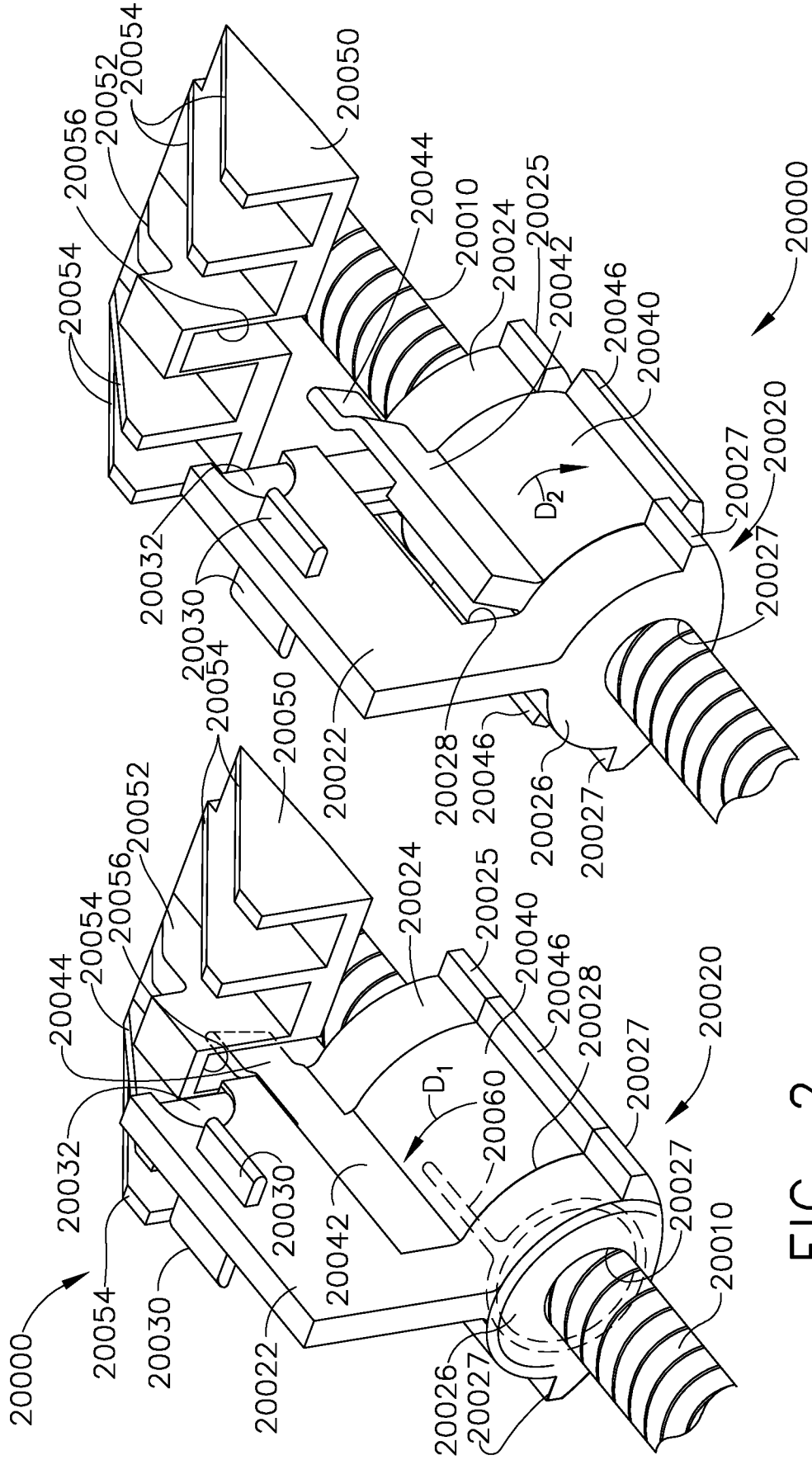


FIG. 2

FIG. 3

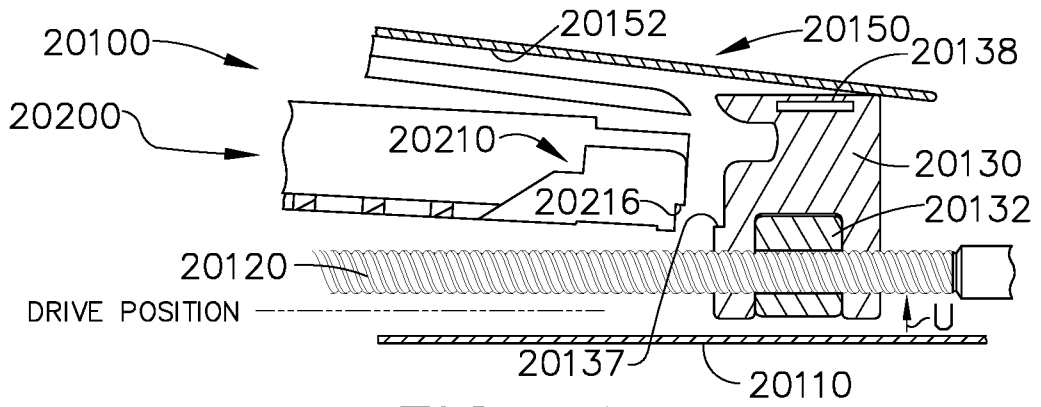


FIG. 4

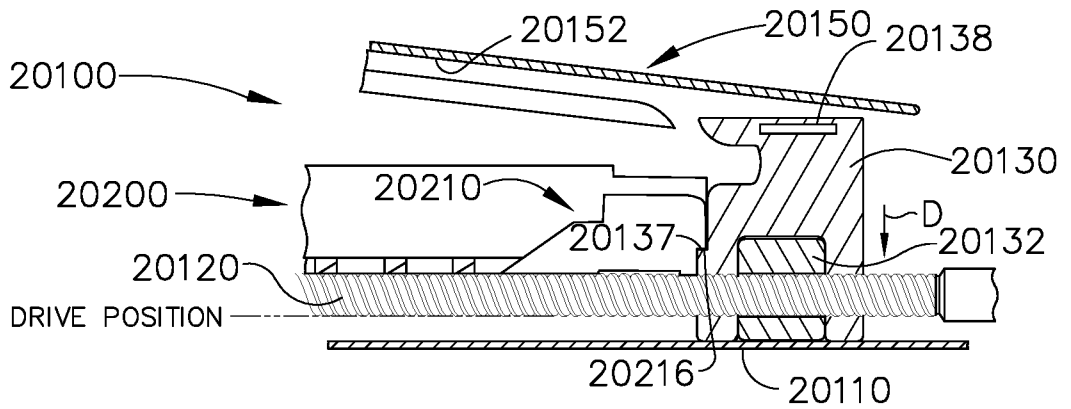


FIG. 5

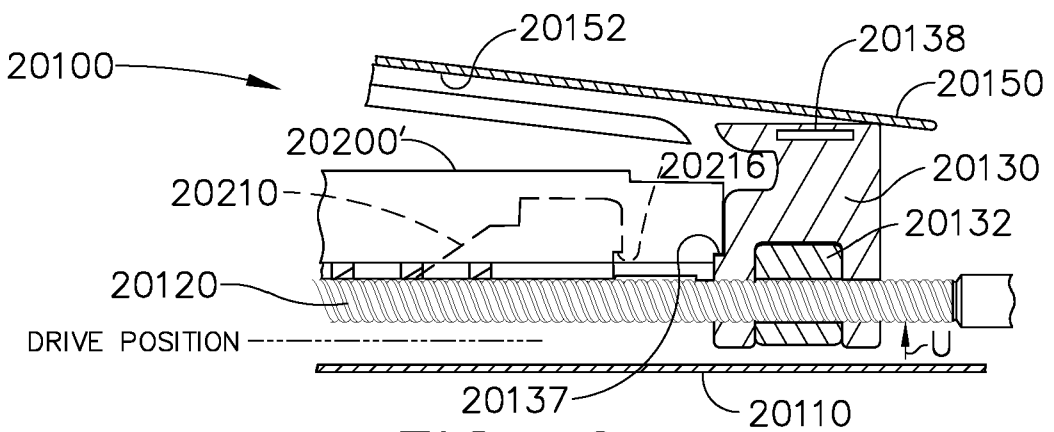


FIG. 6

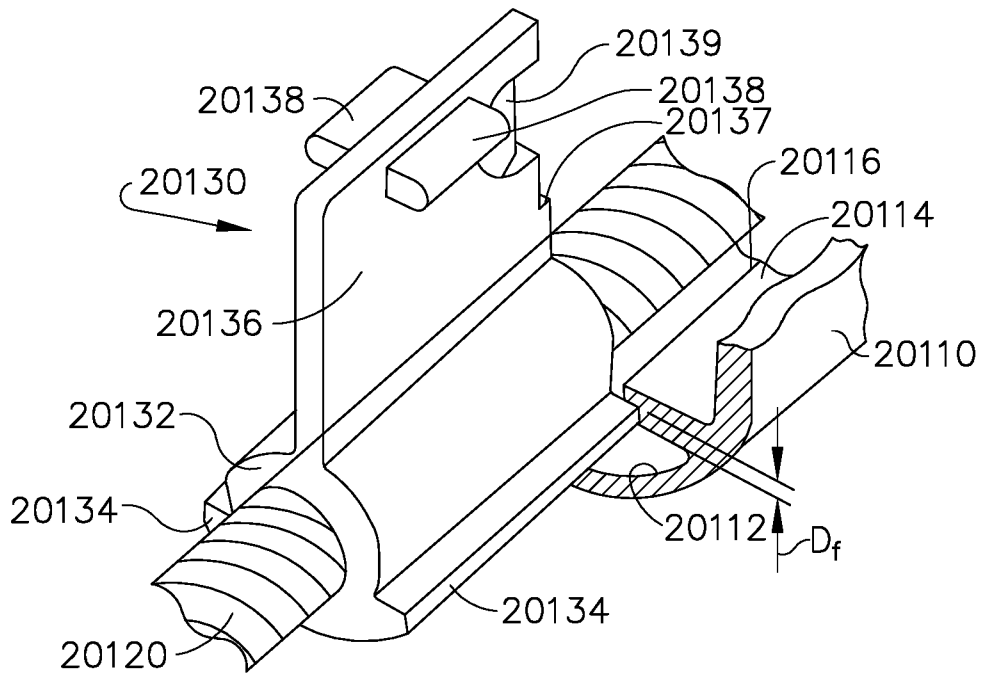


FIG. 7

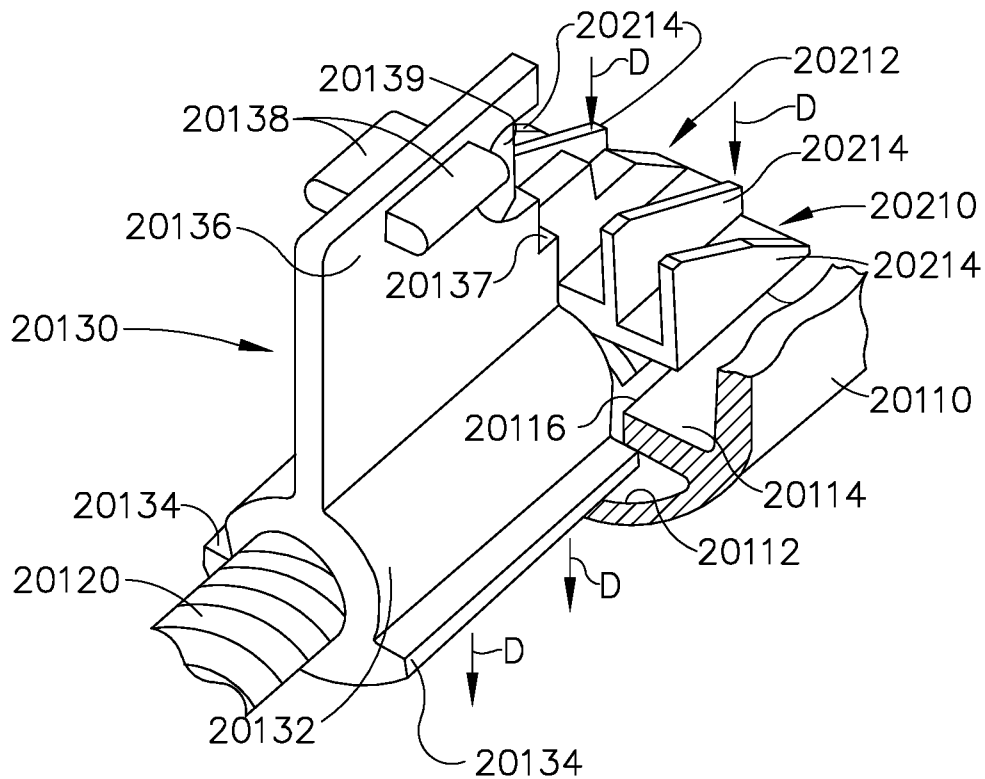


FIG. 8



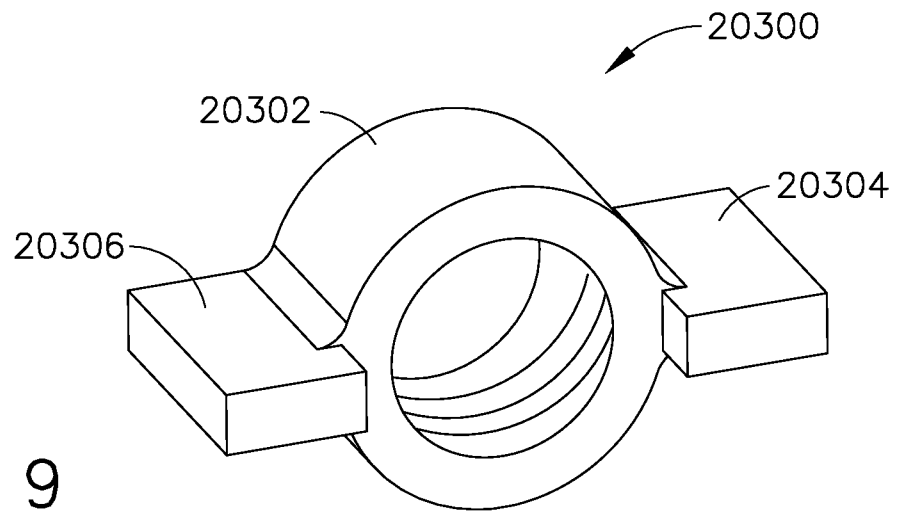


FIG. 9

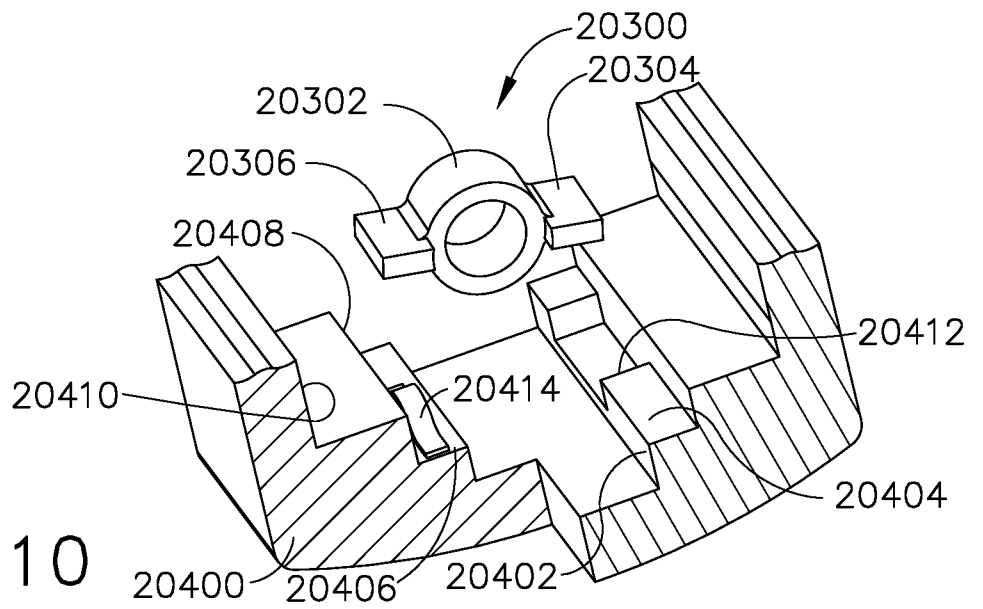


FIG. 10

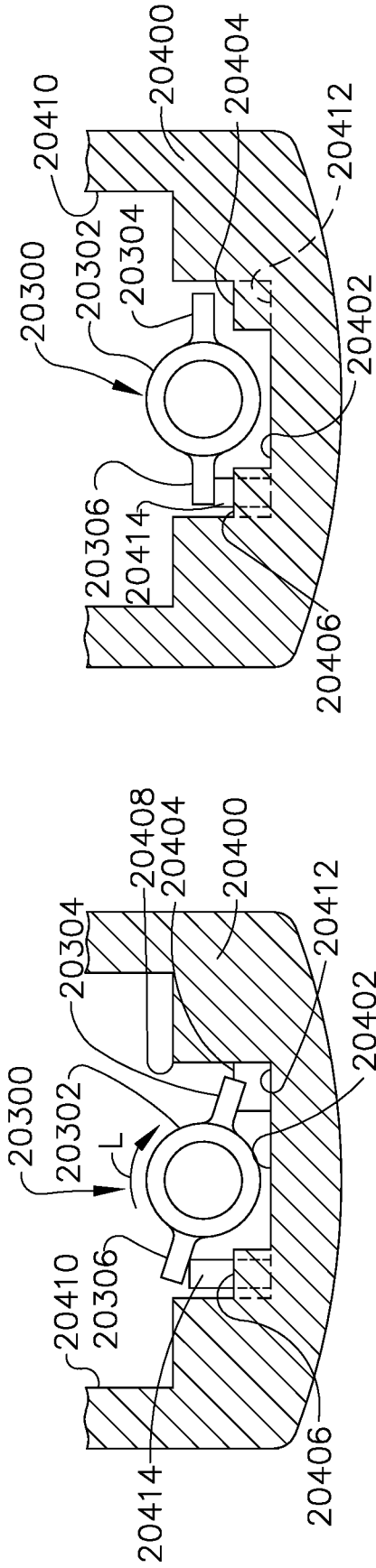


FIG. 12

FIG. 11

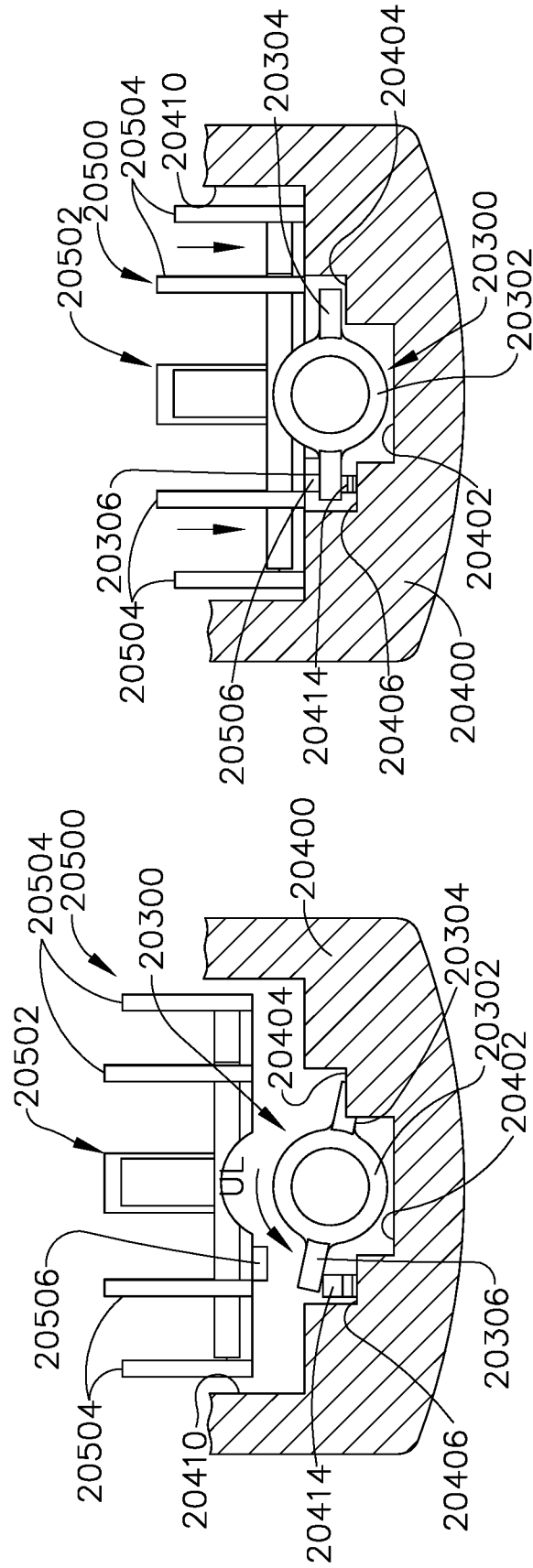


FIG. 14

FIG. 13

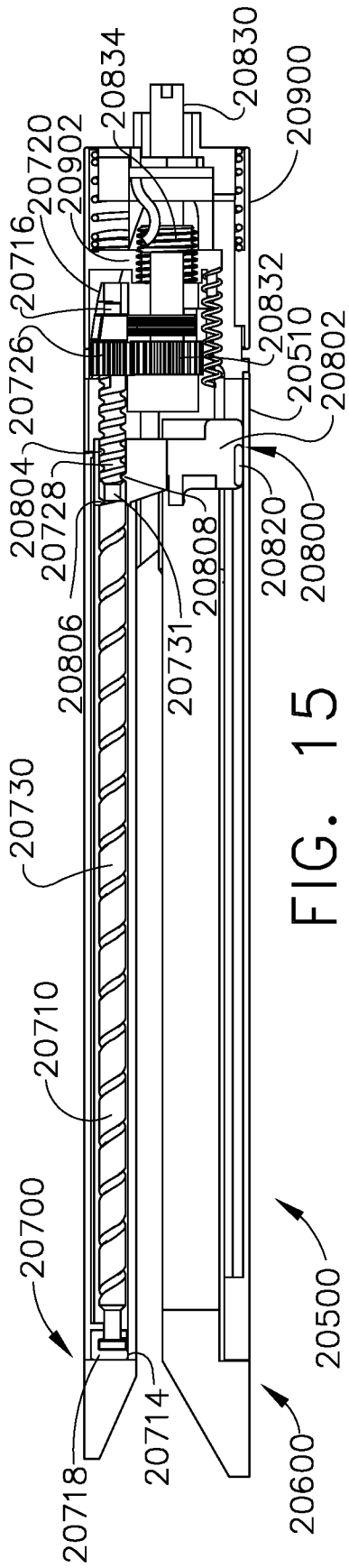


FIG. 15

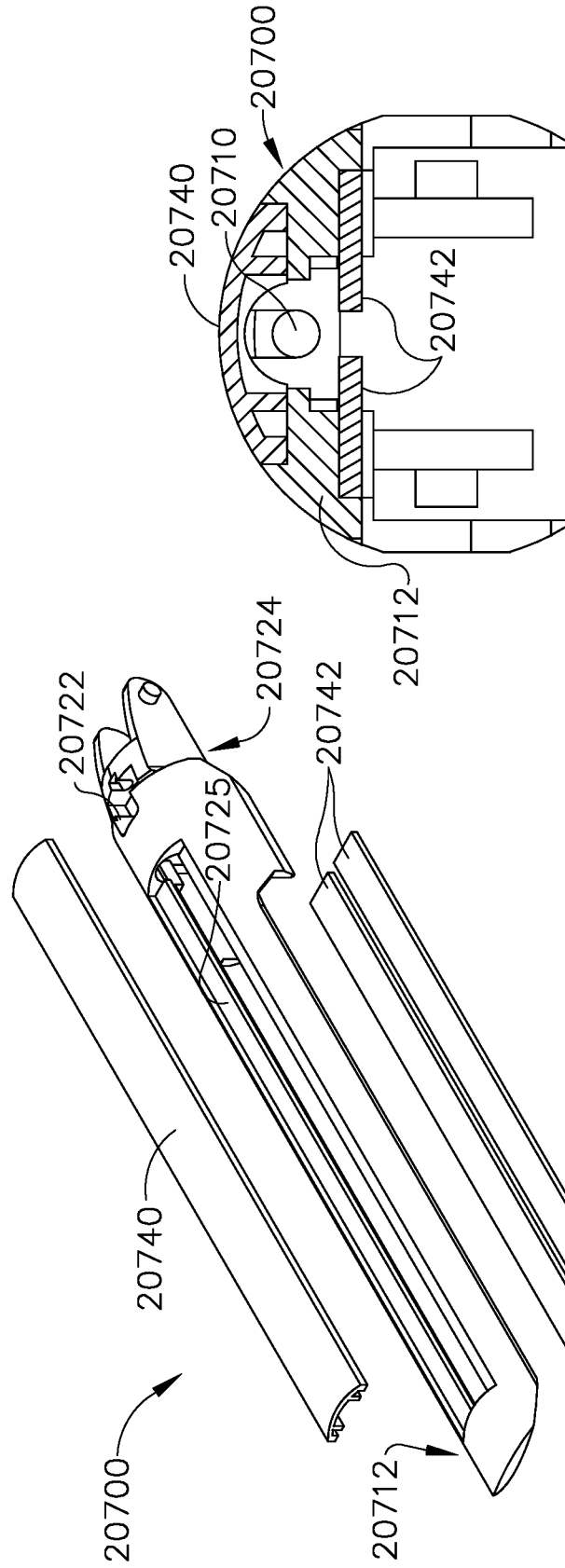


FIG. 16

FIG. 17

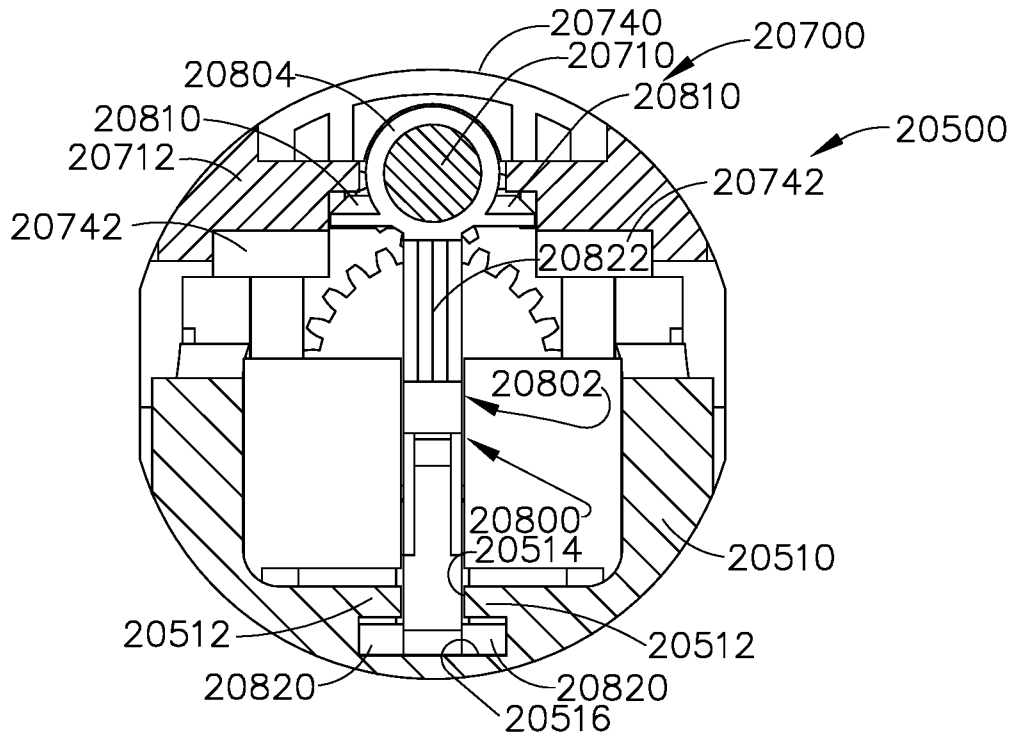


FIG. 18

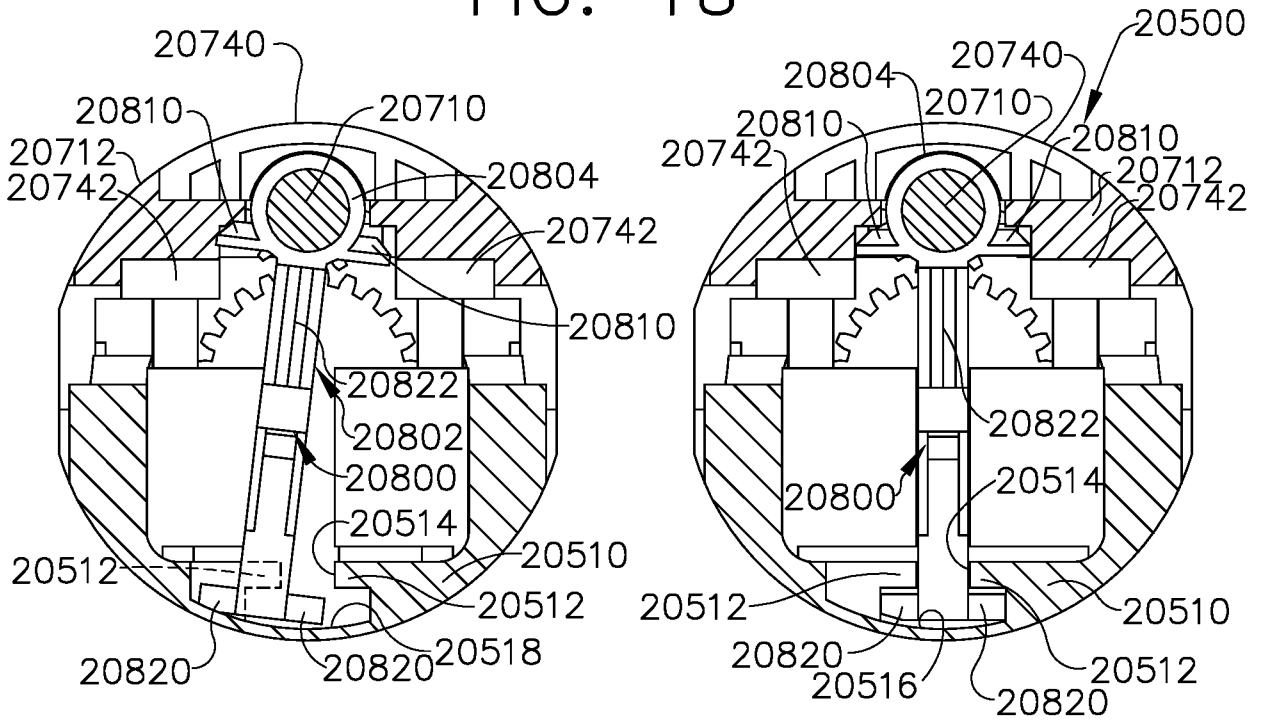


FIG. 19

FIG. 20

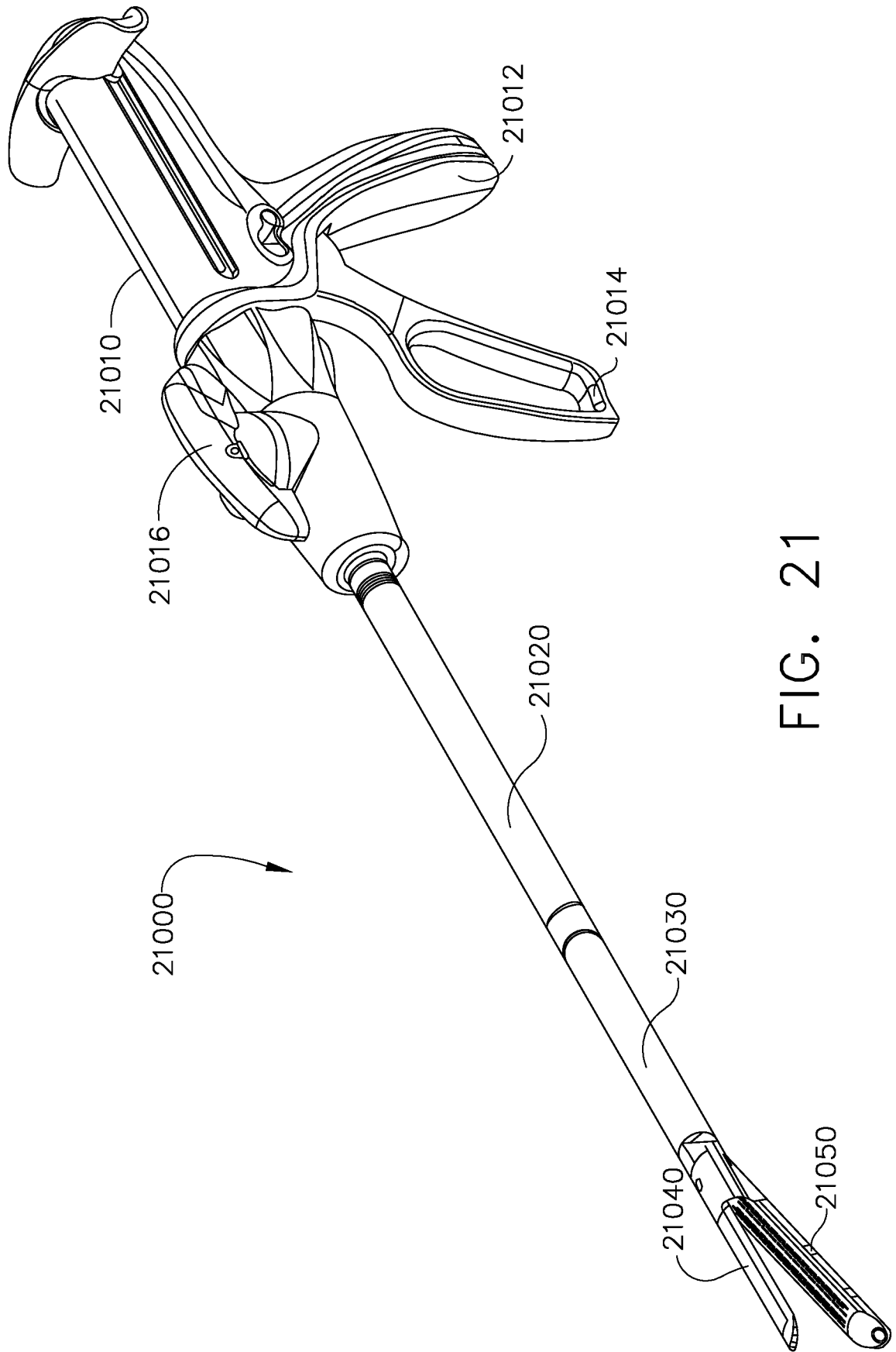


FIG. 21

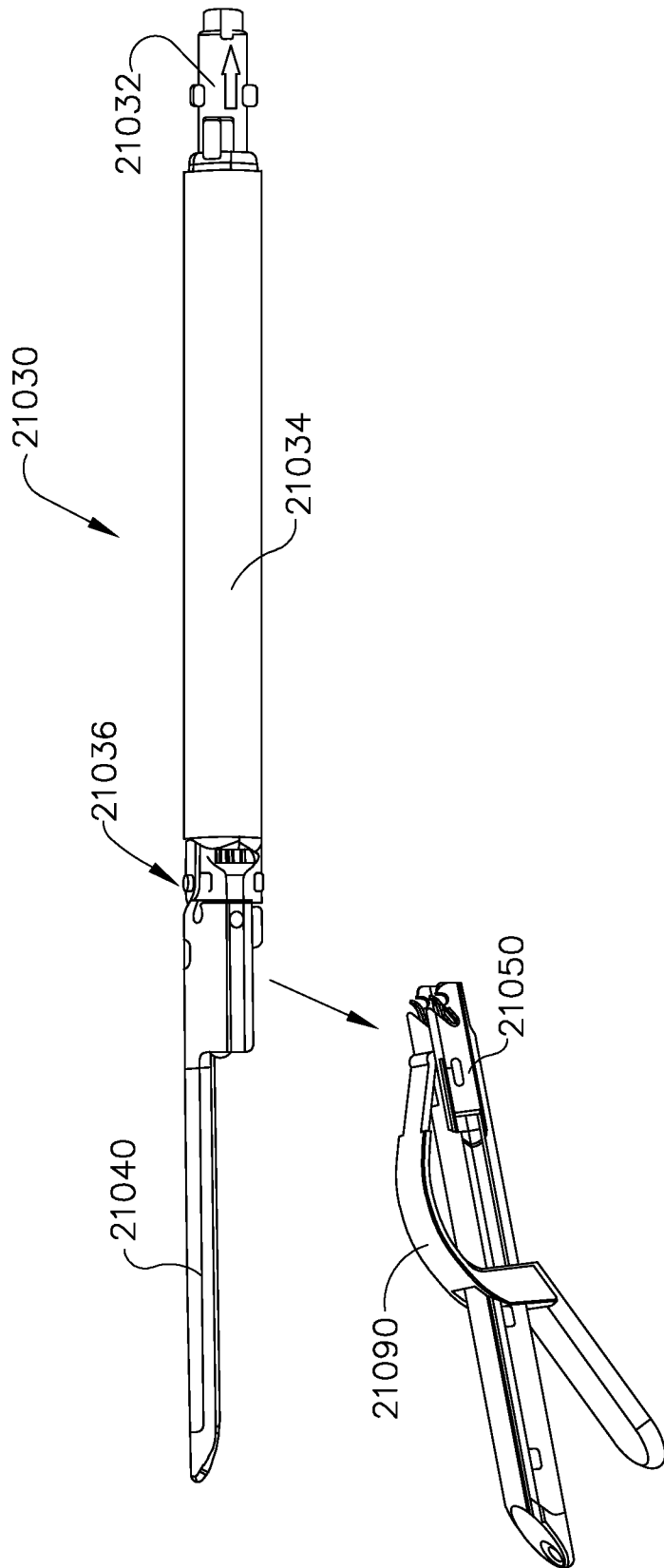


FIG. 22

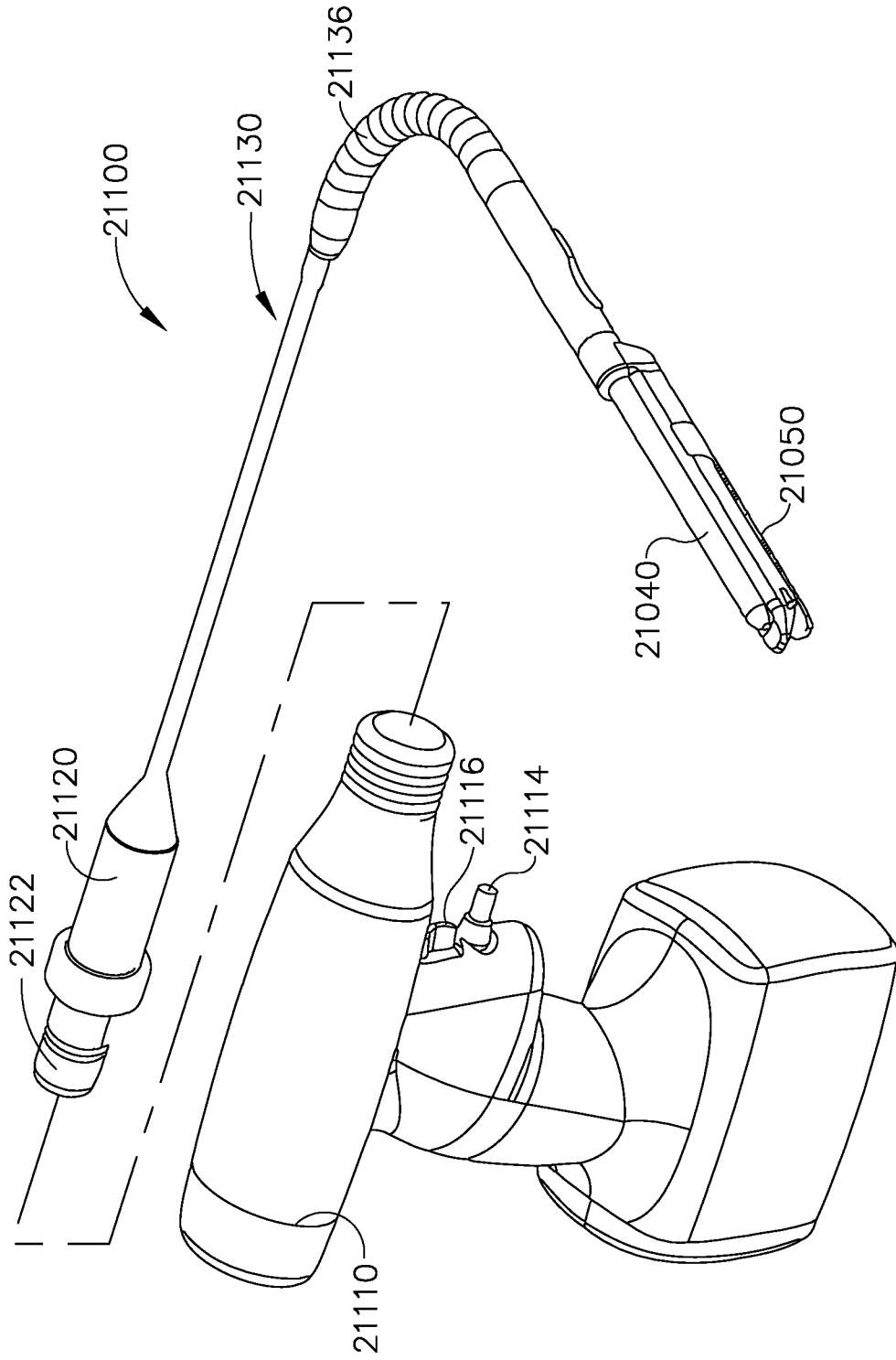


FIG. 23

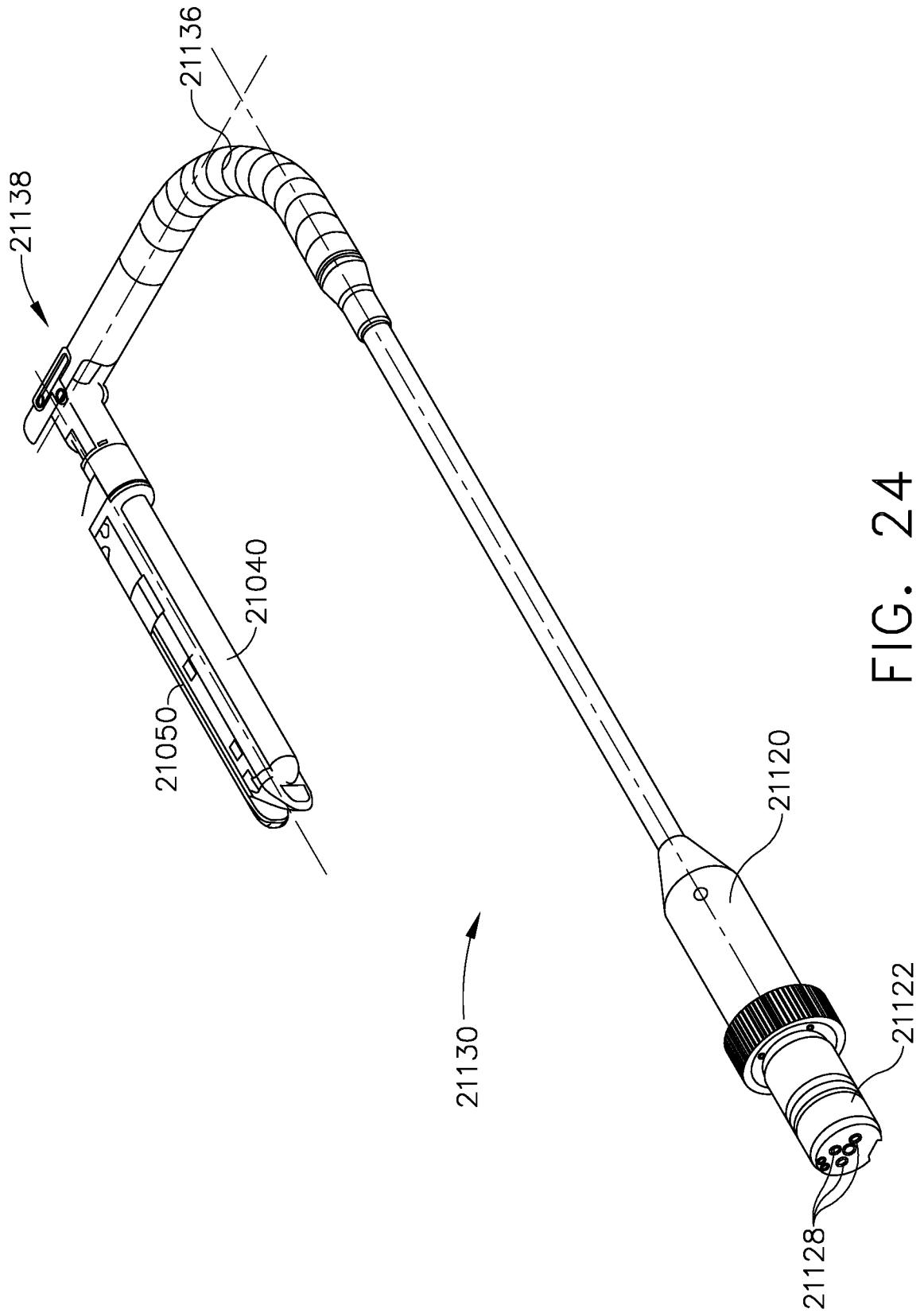


FIG. 24



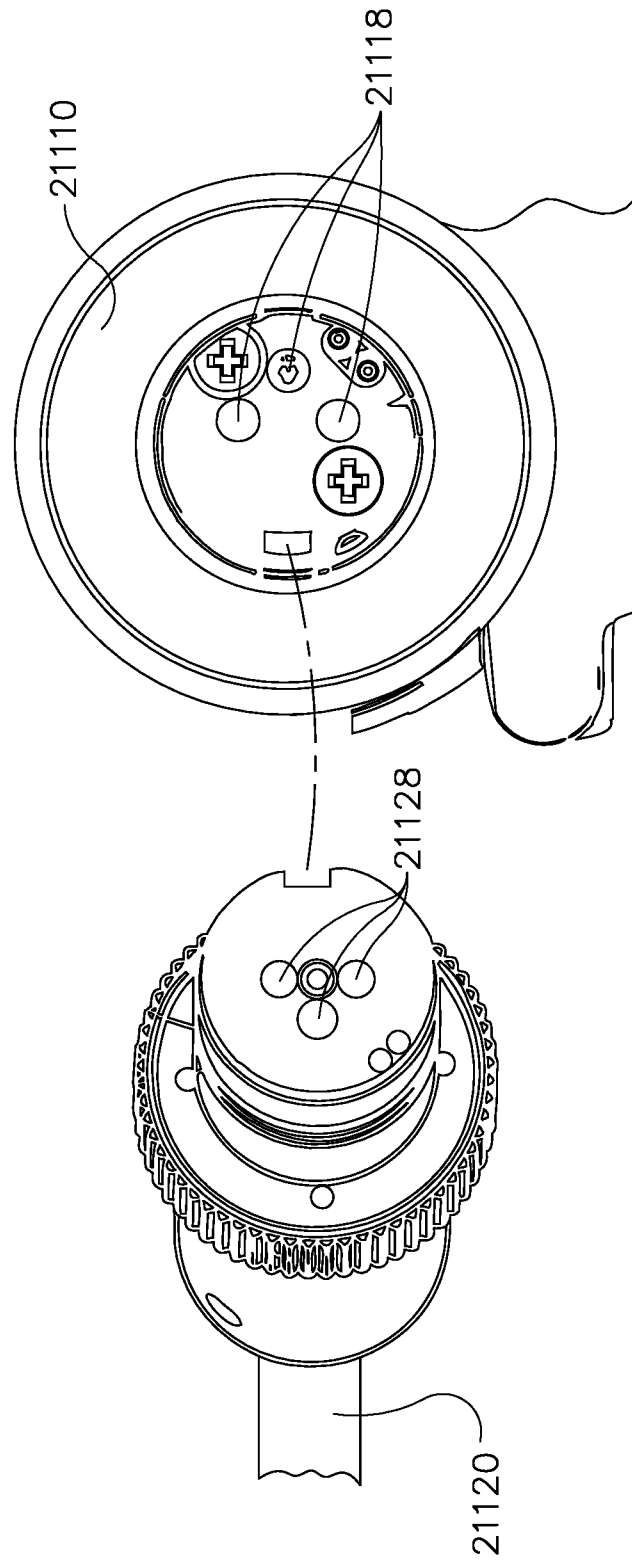


FIG. 25

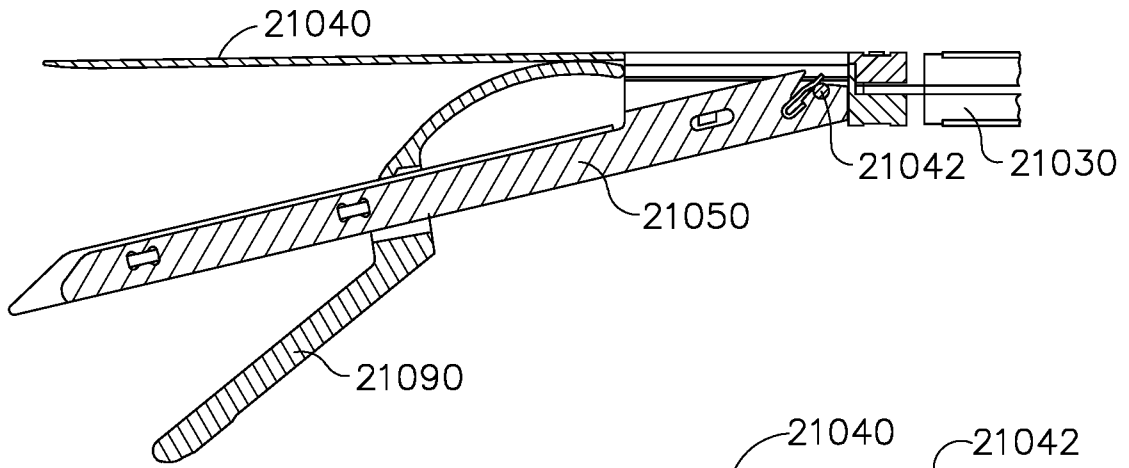


FIG. 26

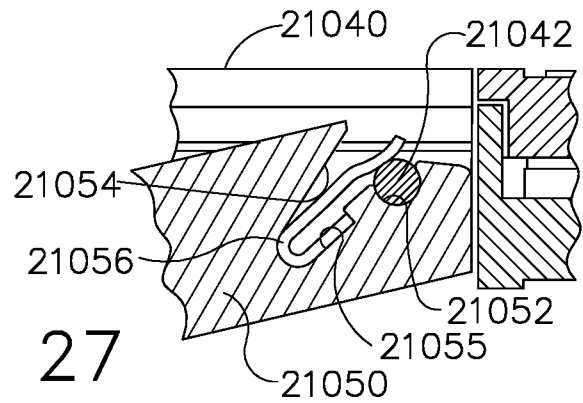


FIG. 27

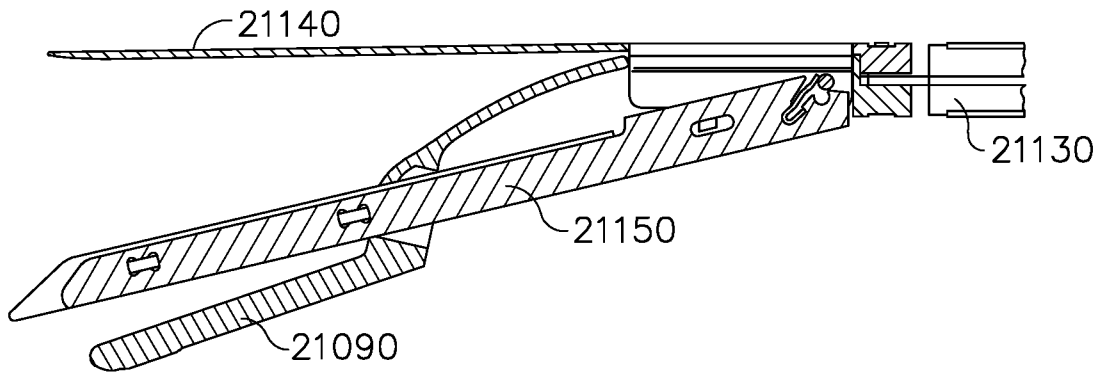


FIG. 28

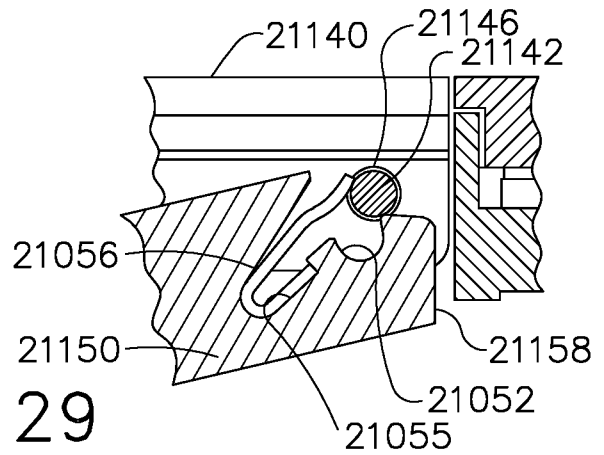


FIG. 29

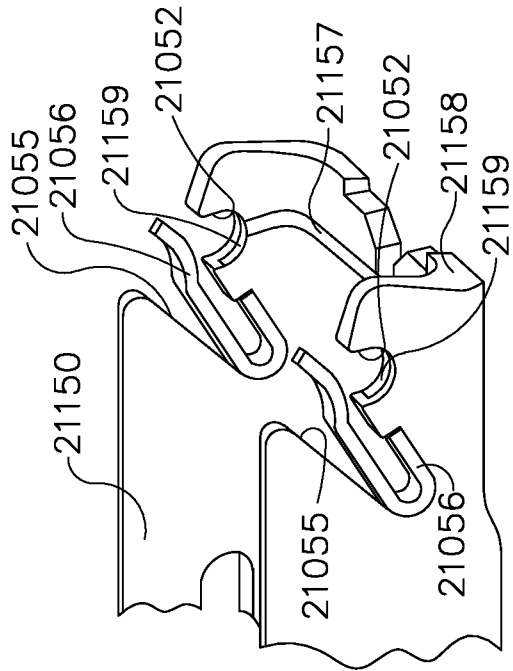


FIG. 31

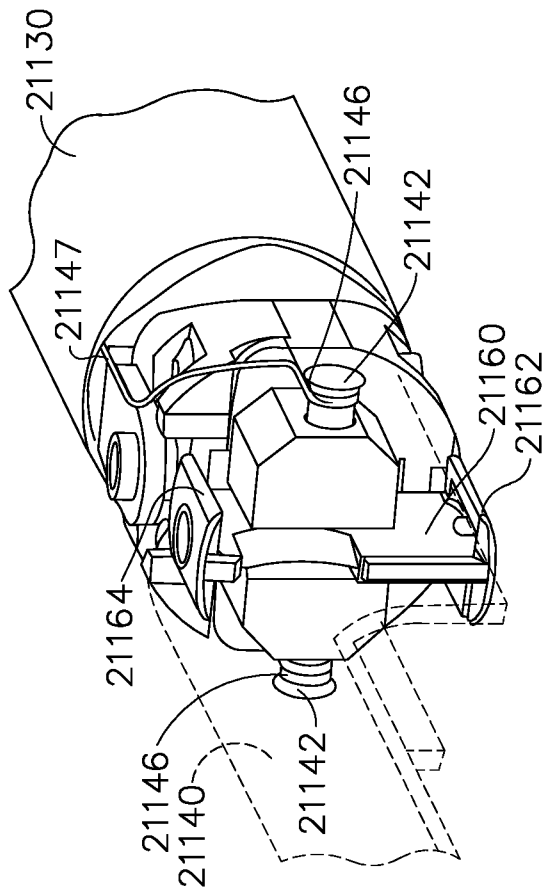


FIG. 30

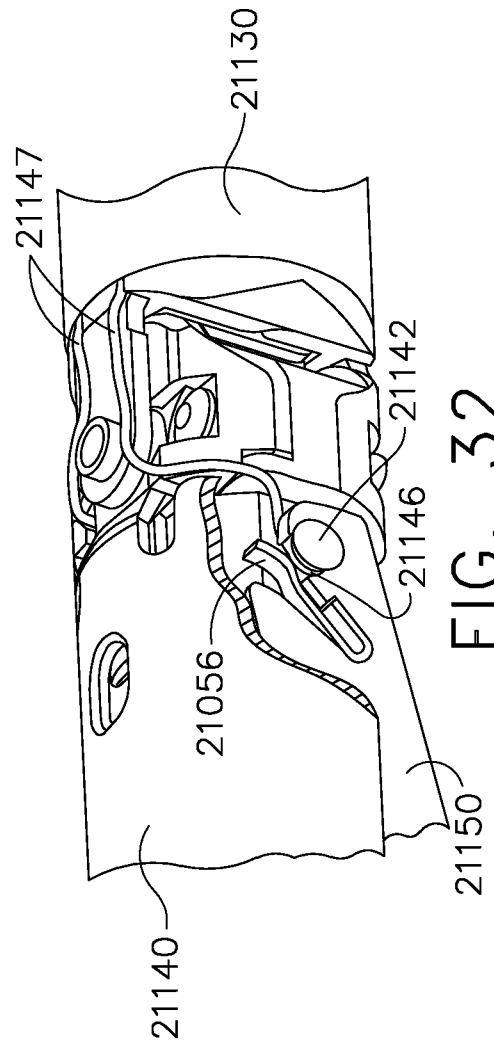


FIG. 32

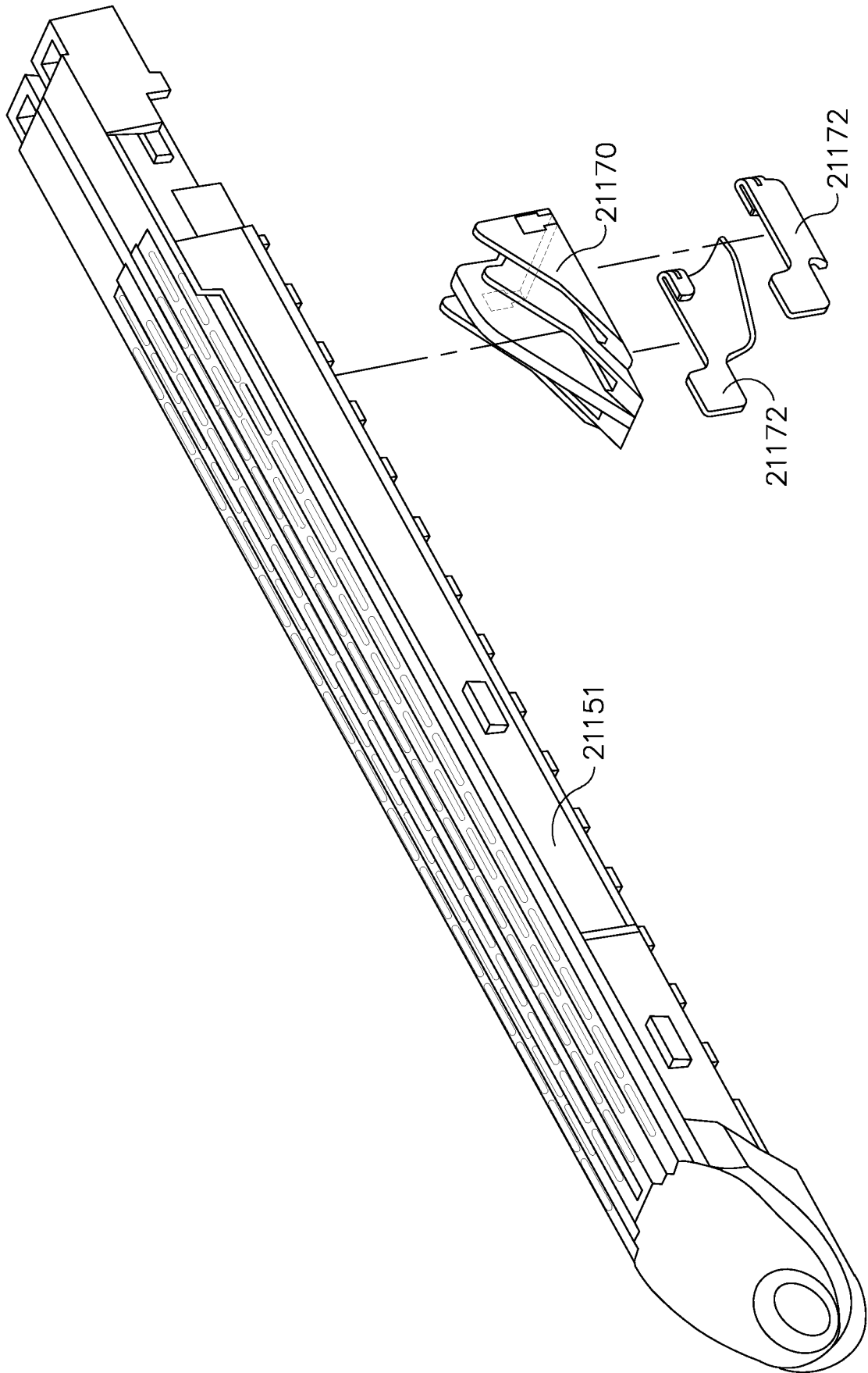


FIG. 33

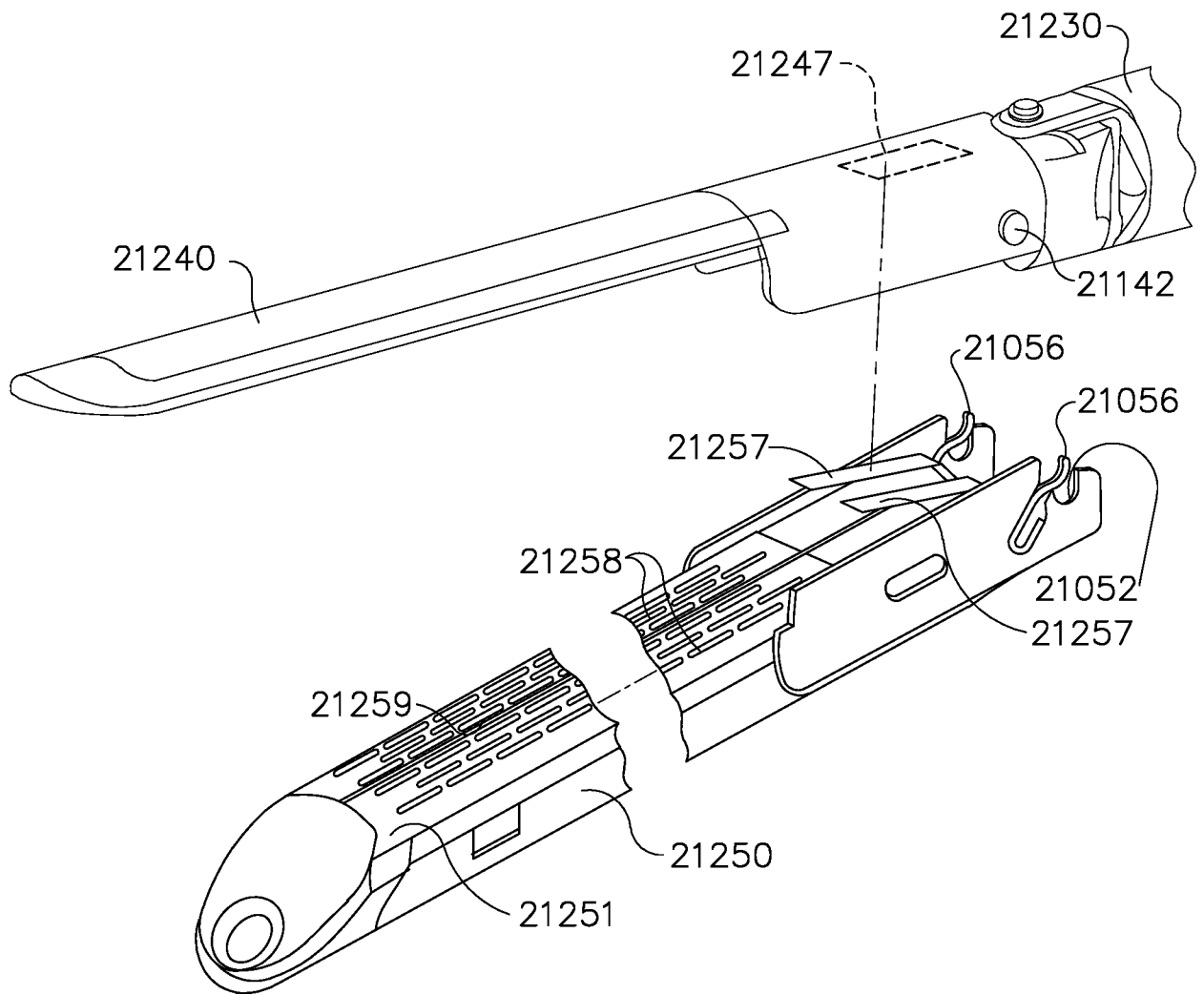


FIG. 34

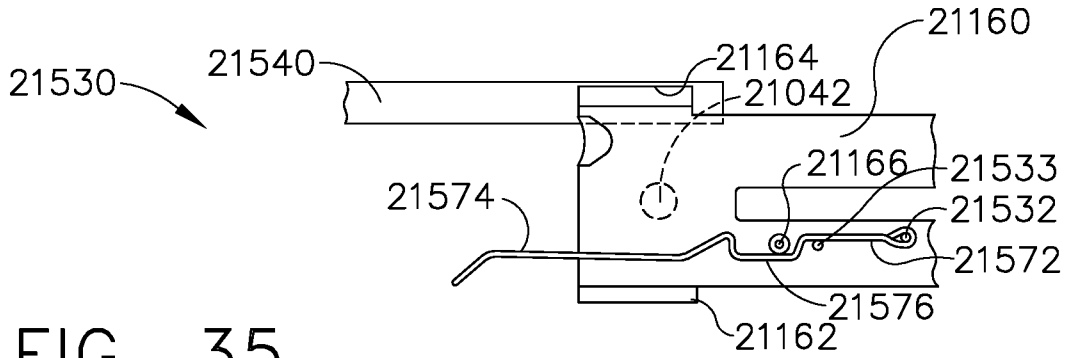


FIG. 35

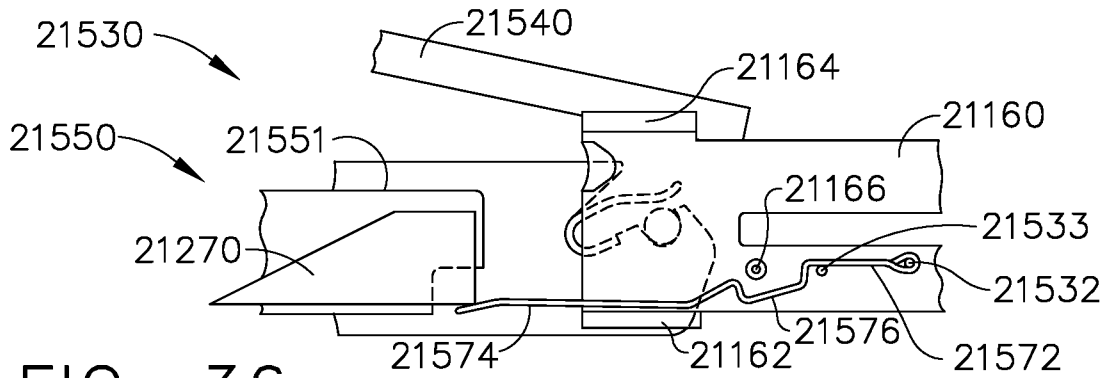


FIG. 36

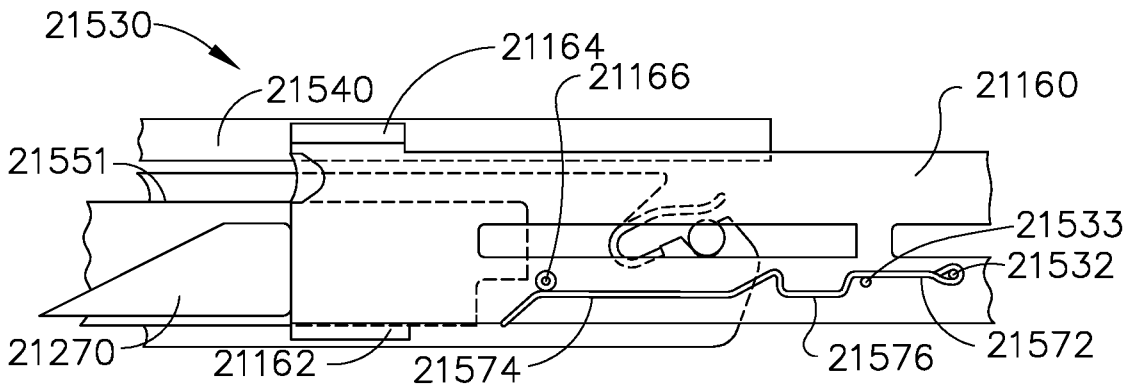


FIG. 37

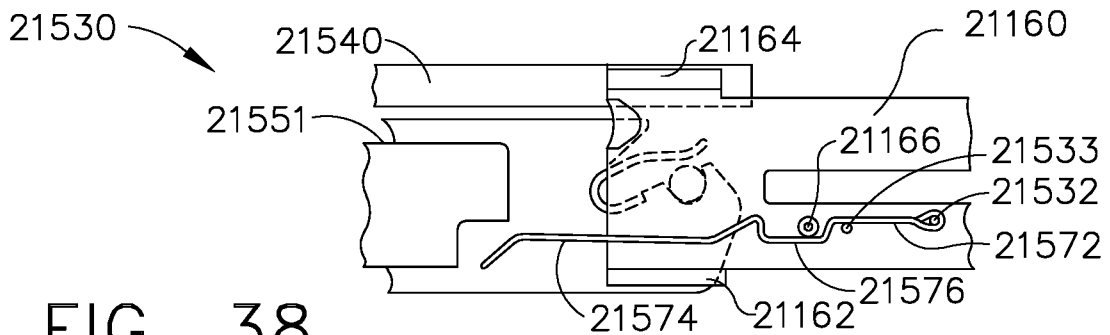


FIG. 38

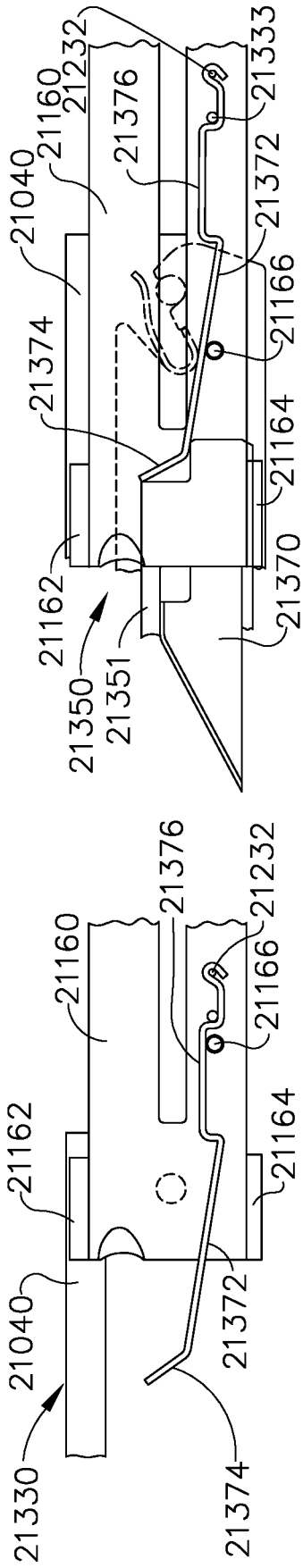


FIG. 40

FIG. 39

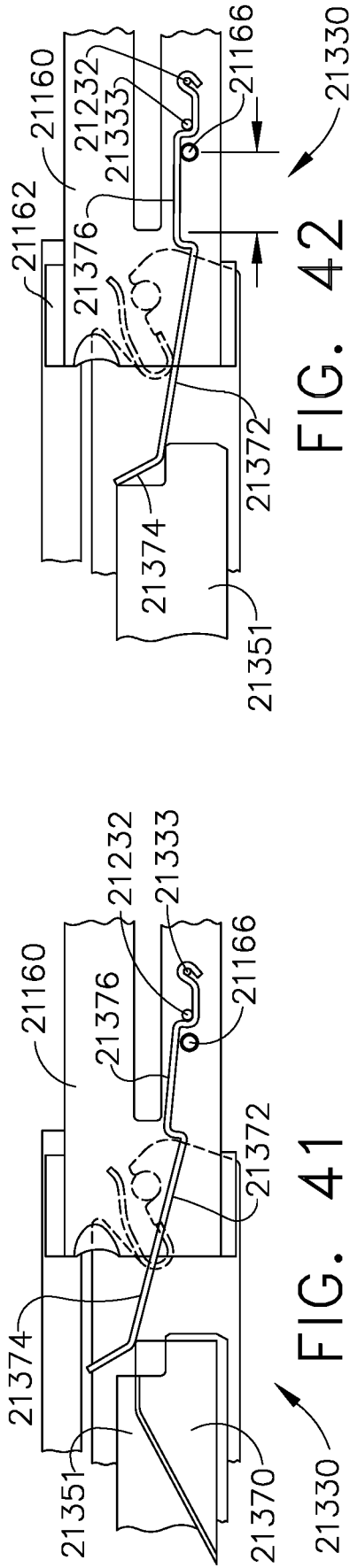


FIG. 42

FIG. 41

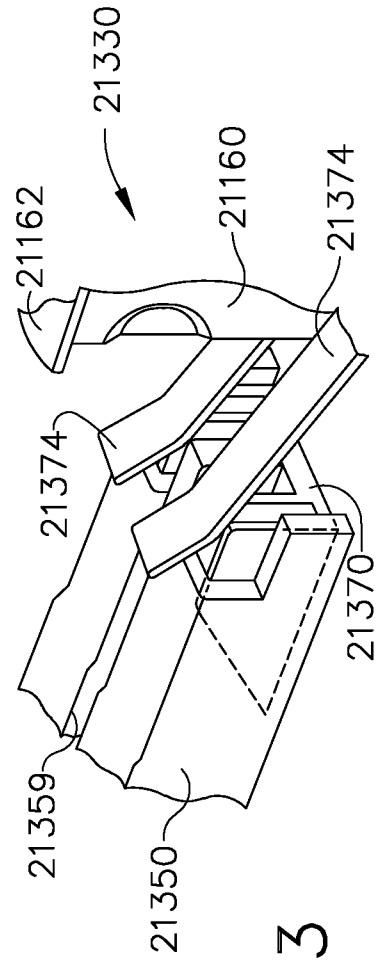


FIG. 43

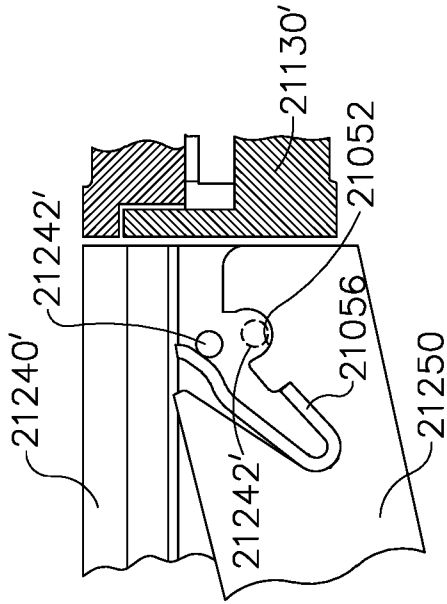


FIG. 45

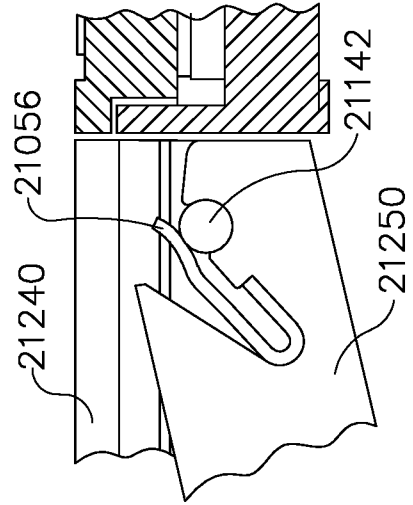


FIG. 46

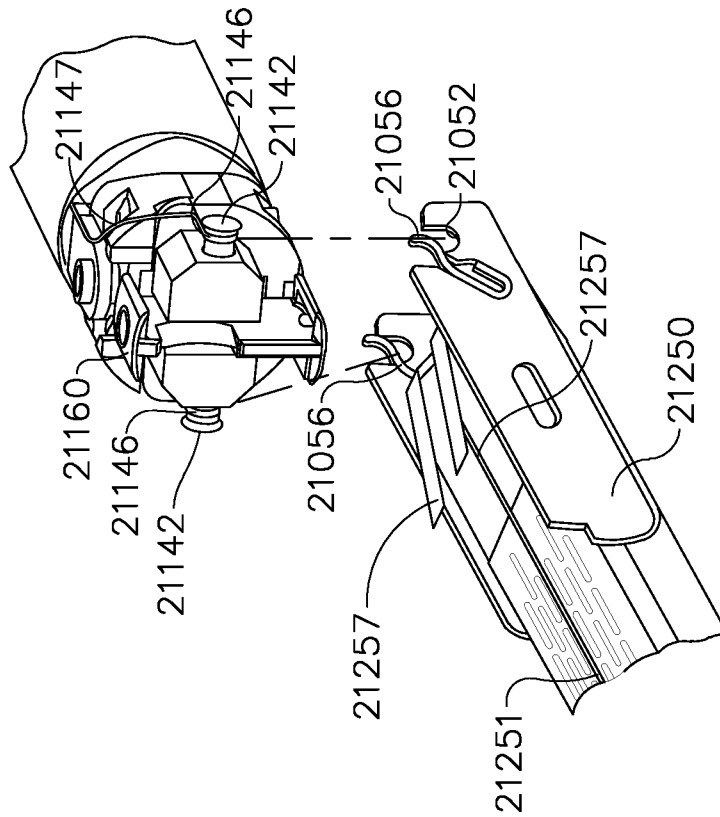


FIG. 44



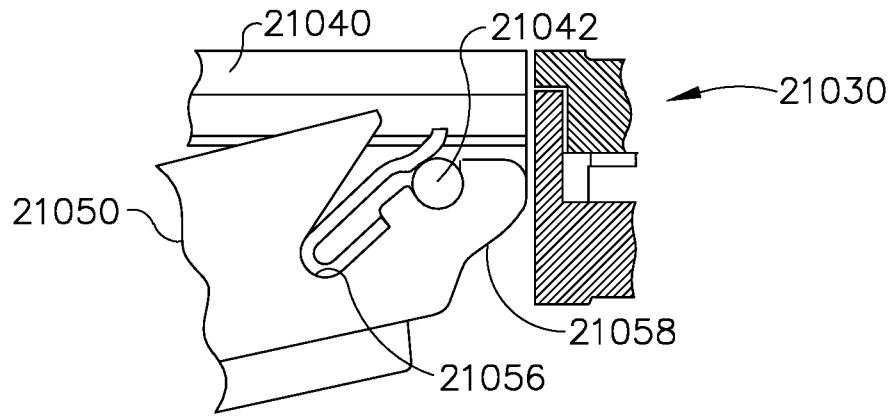


FIG. 47

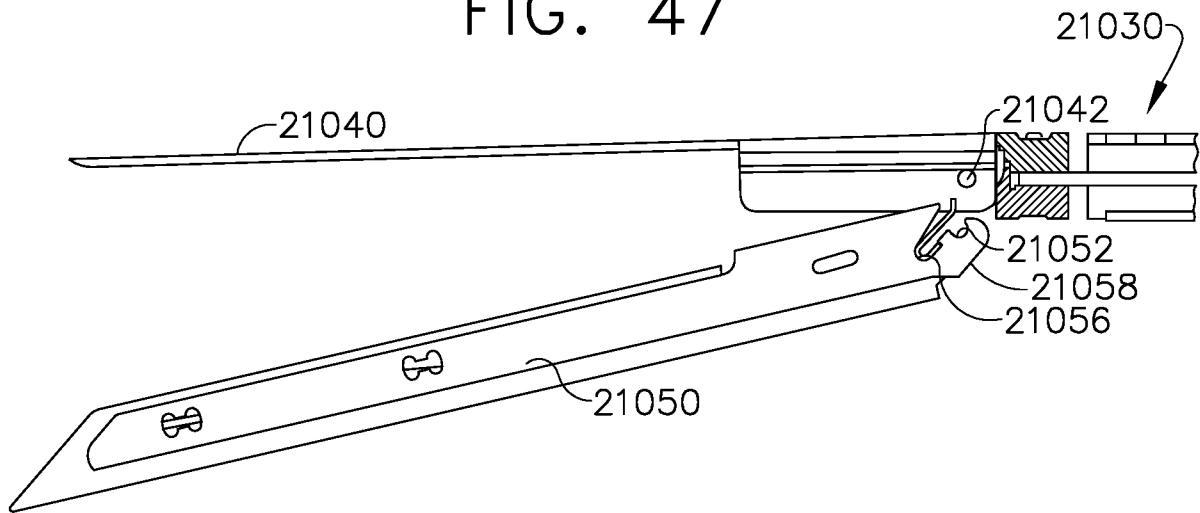


FIG. 48

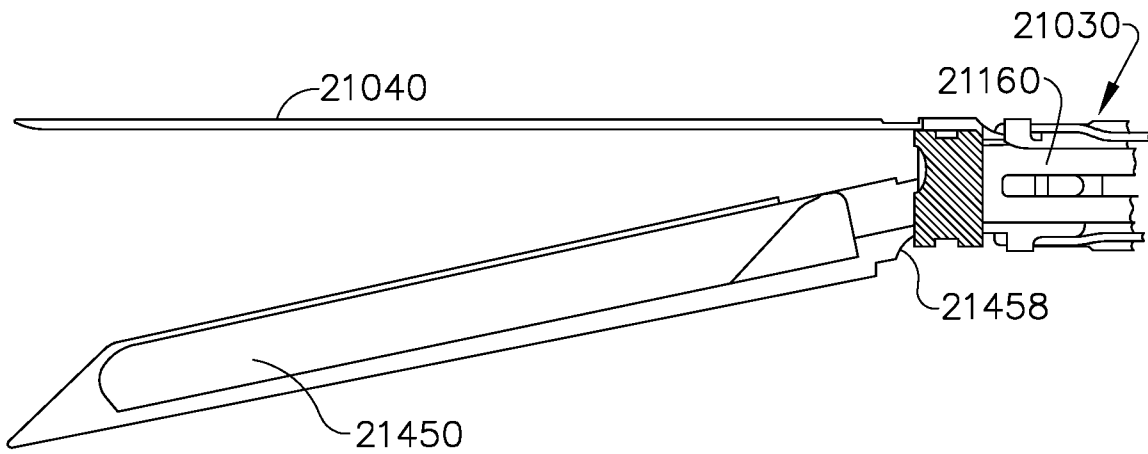


FIG. 49

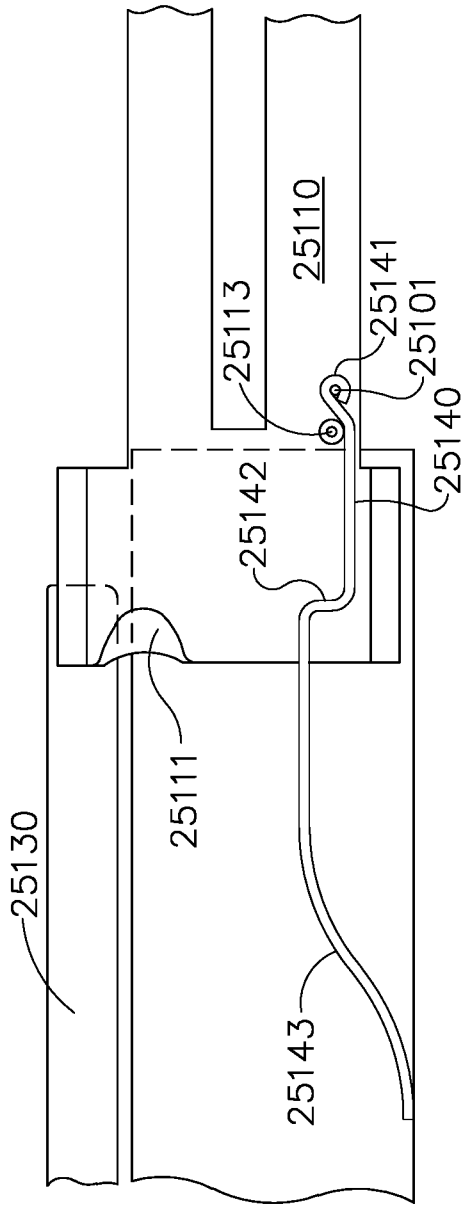


FIG. 50

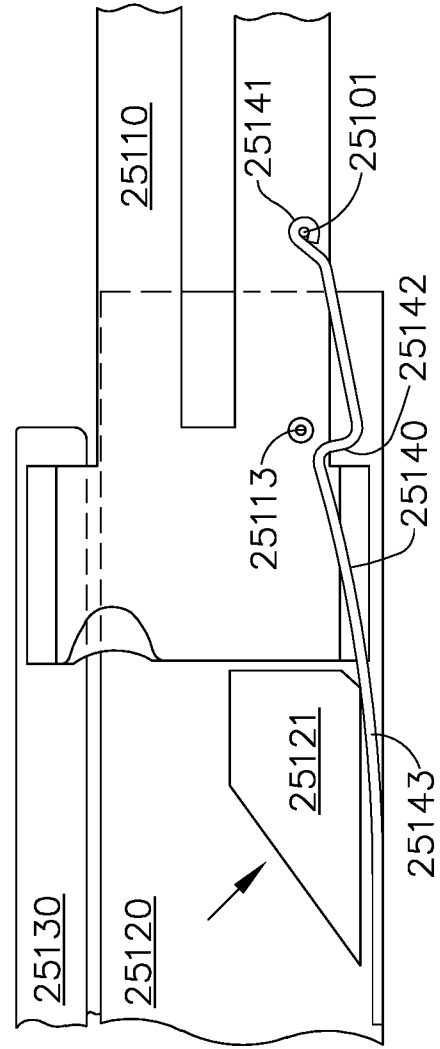
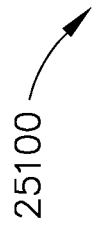


FIG. 51



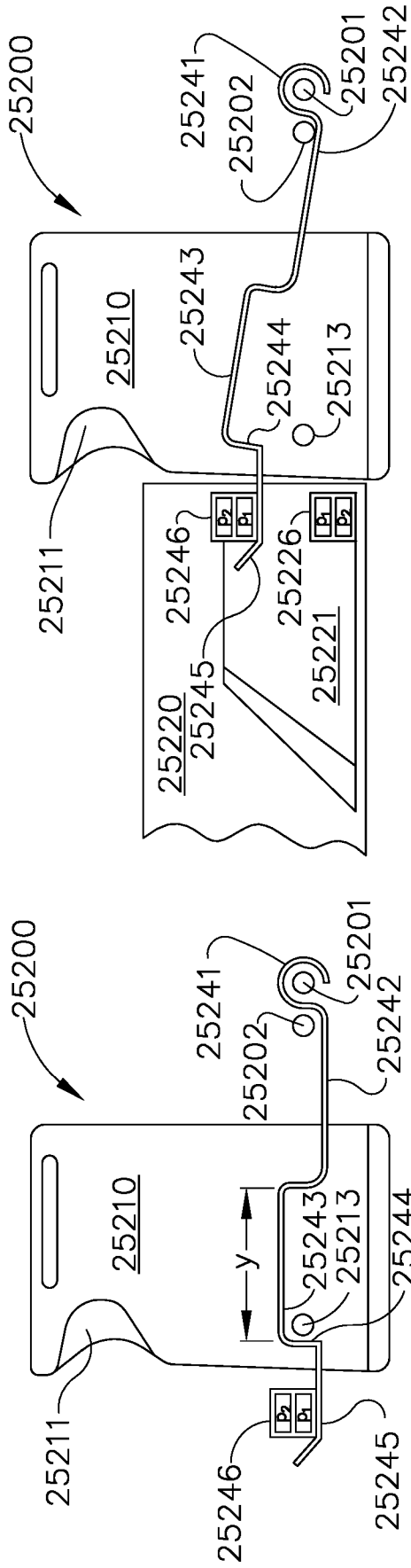


FIG. 53

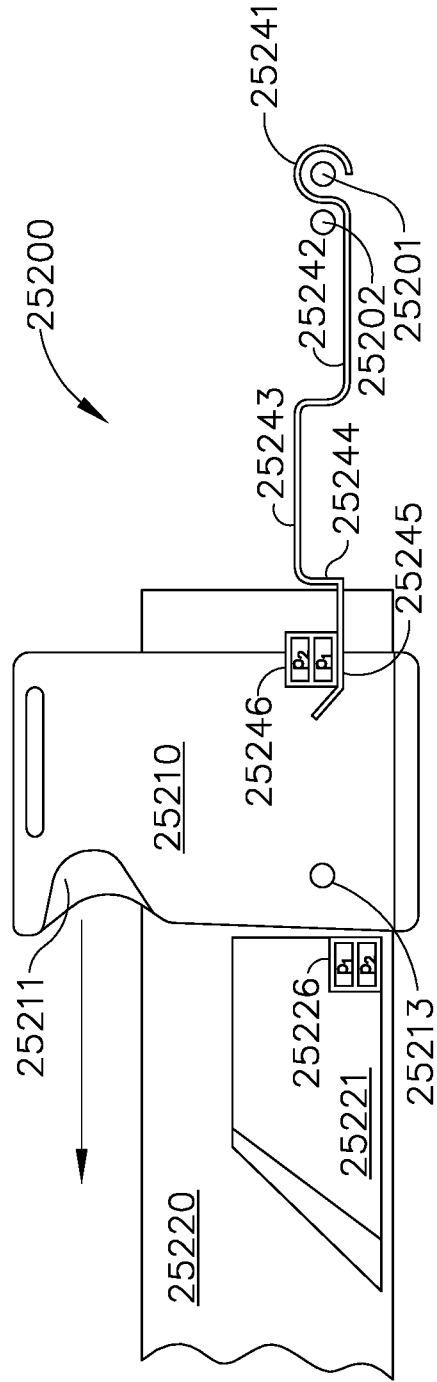


FIG. 54

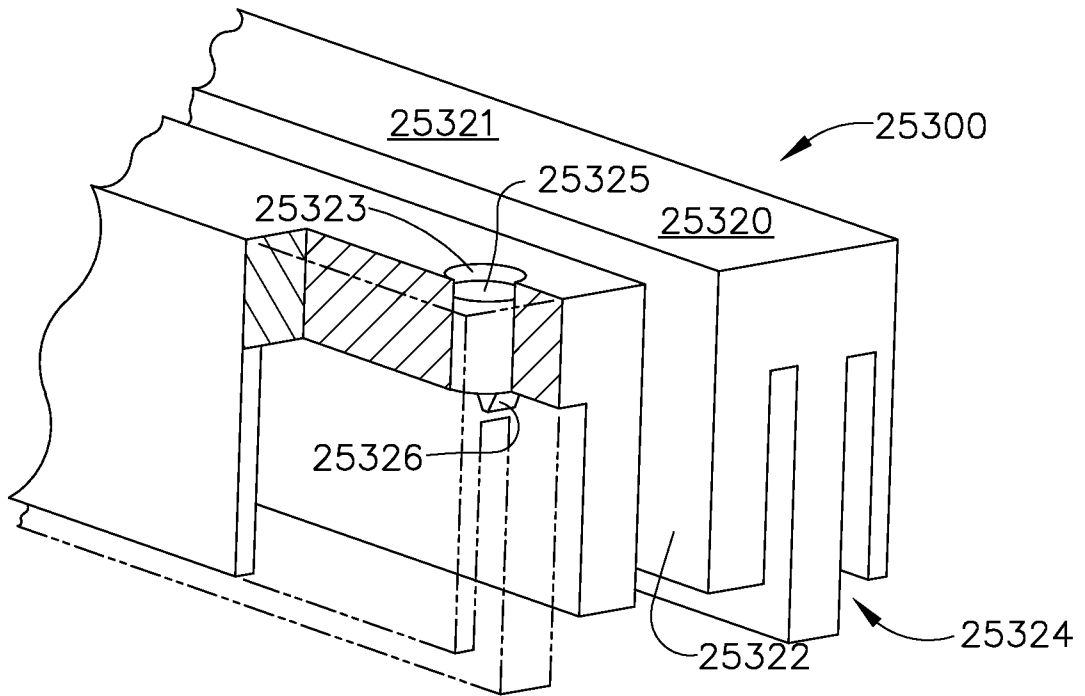


FIG. 55

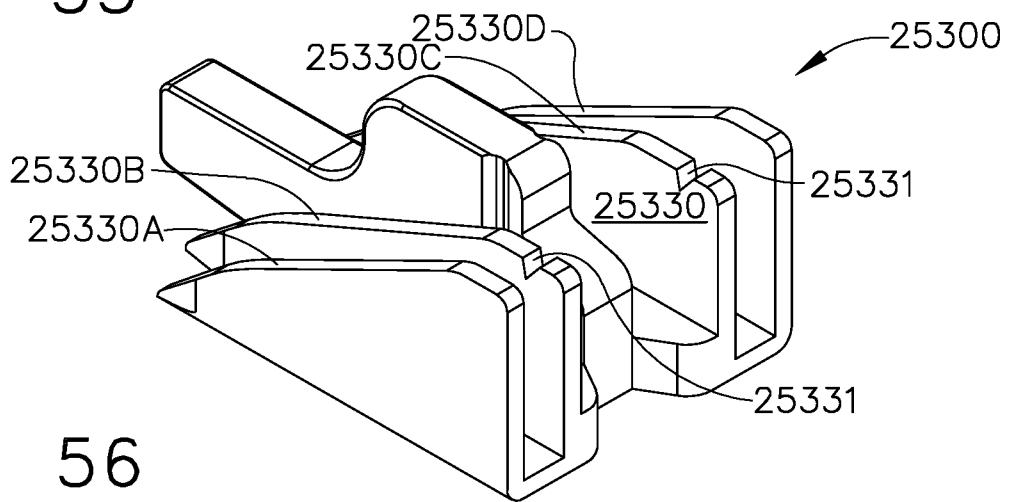


FIG. 56

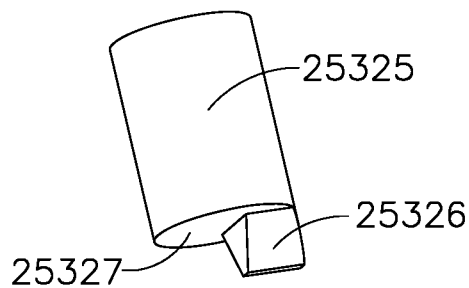


FIG. 57

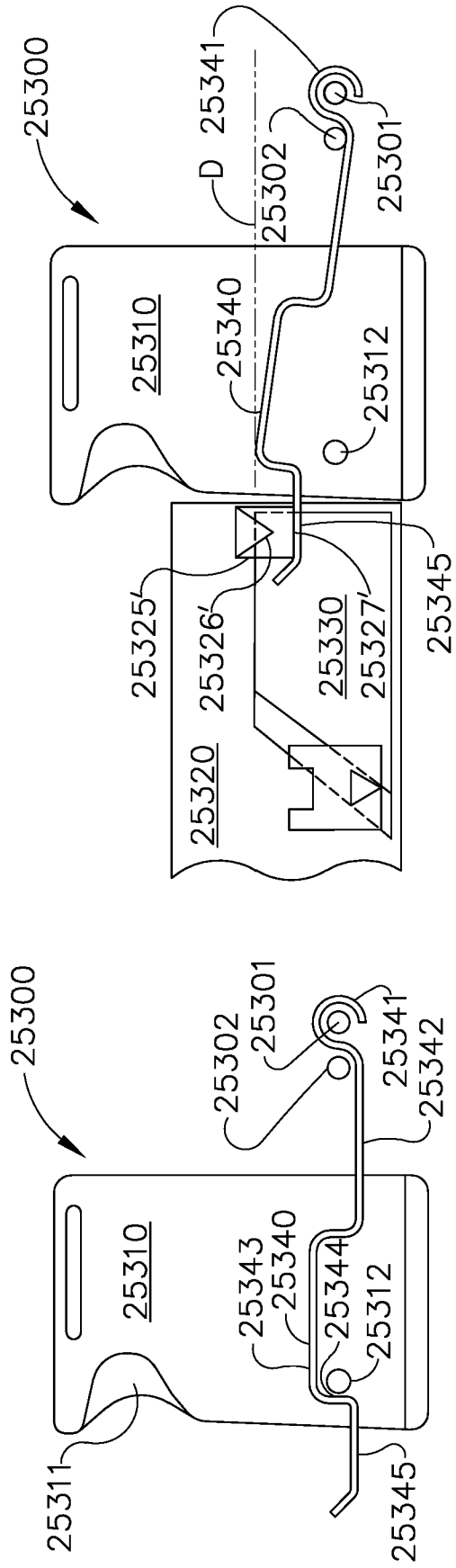


FIG. 58

FIG. 59

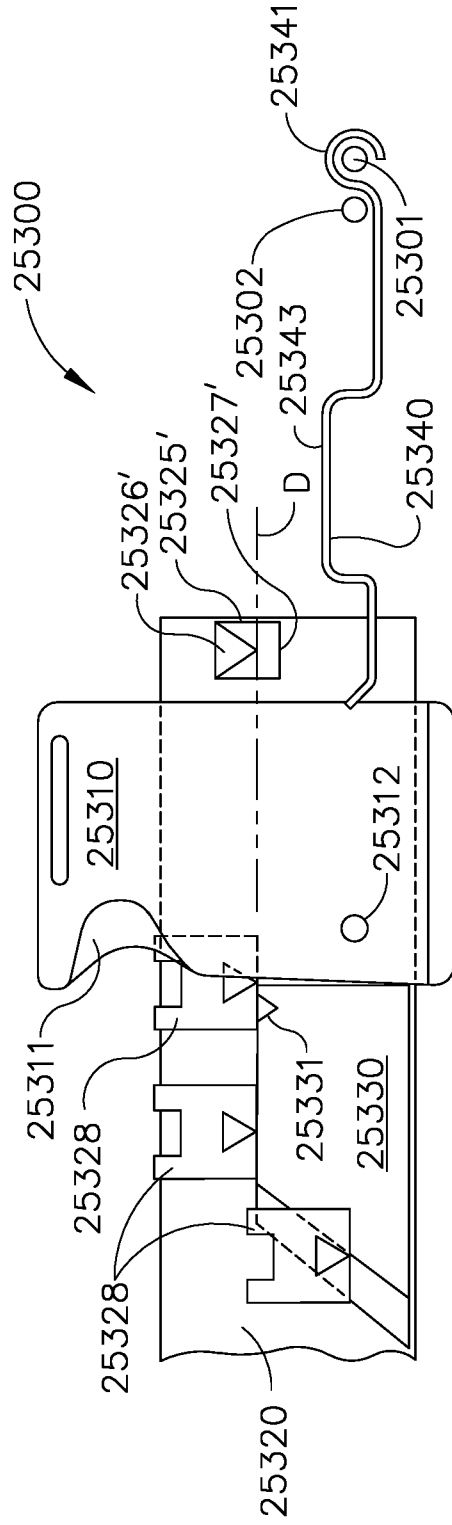


FIG. 60

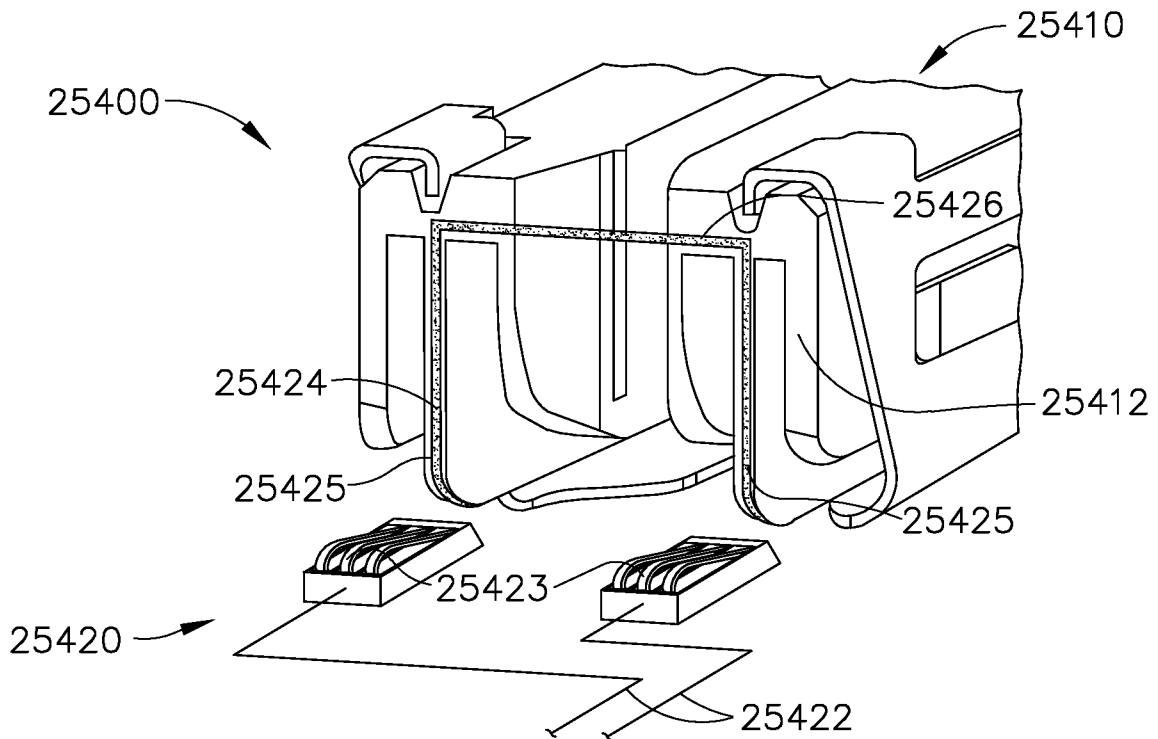


FIG. 61

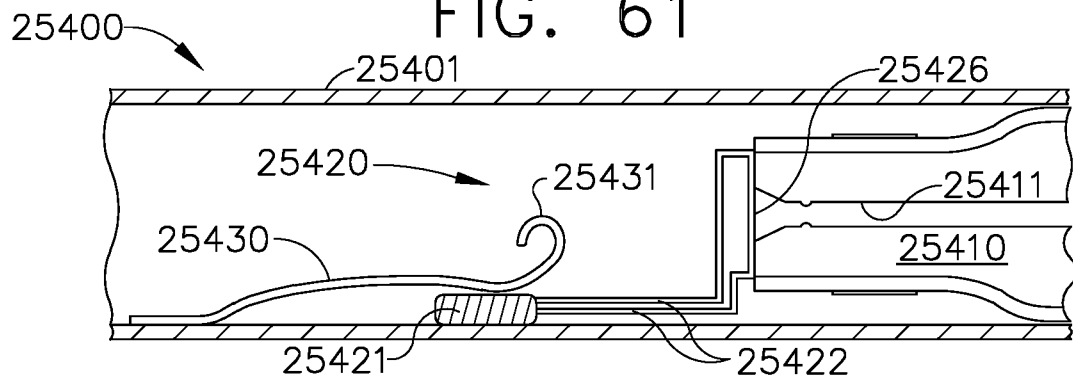


FIG. 62

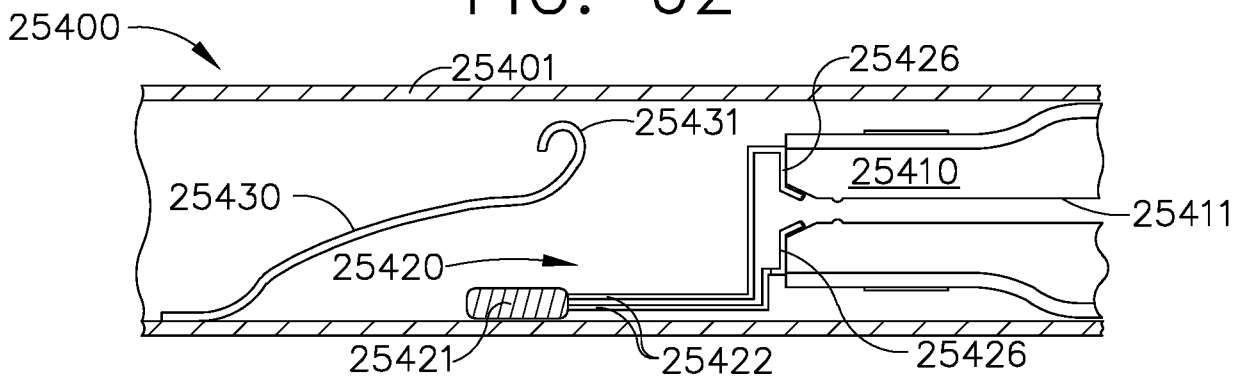


FIG. 63

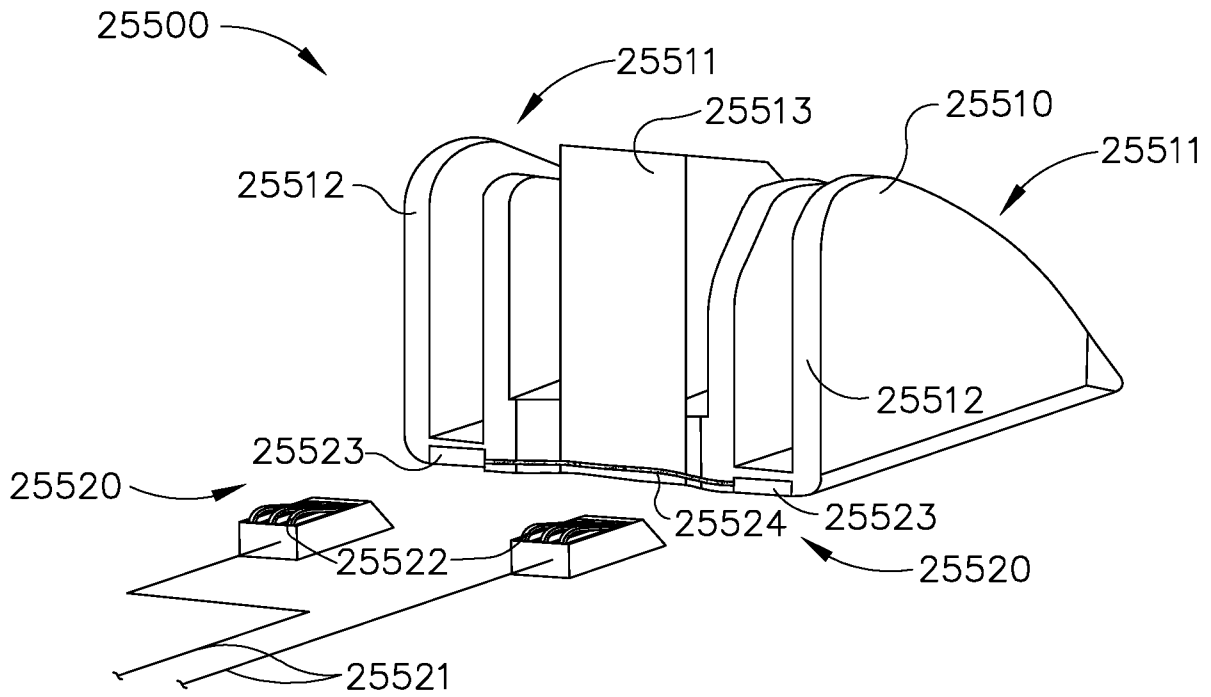
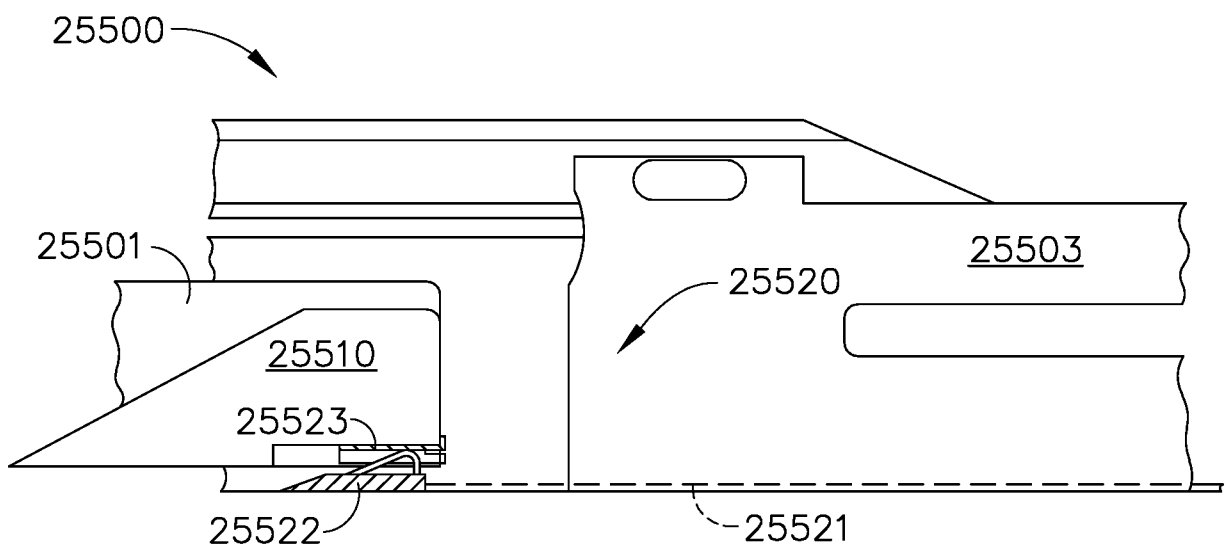


FIG. 64



25520  
FIG. 65

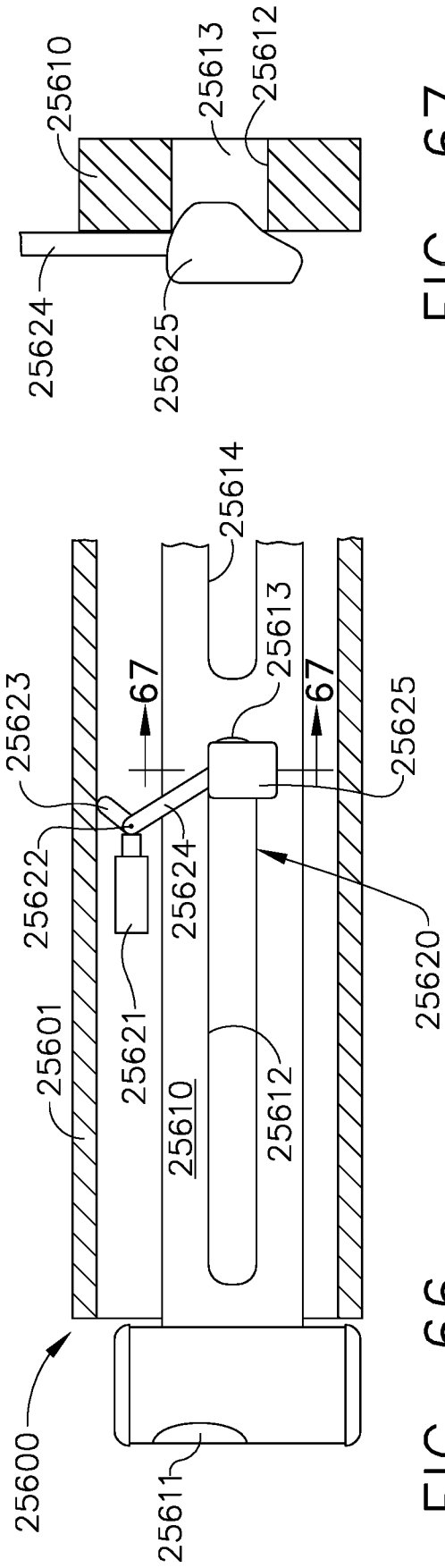


FIG. 67

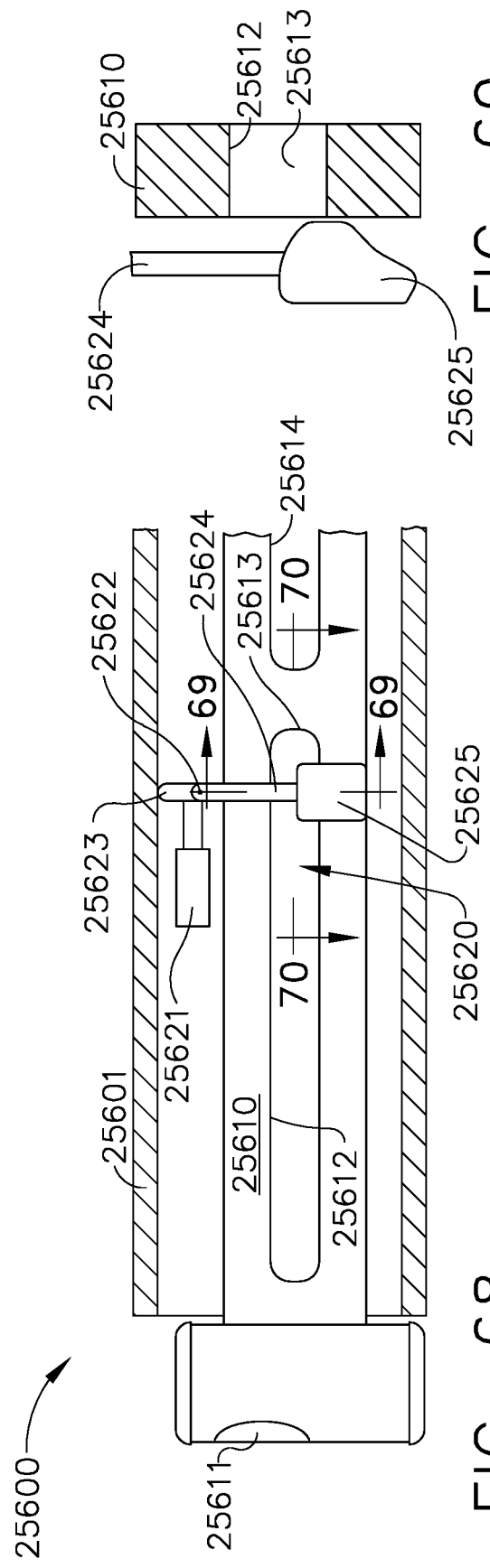
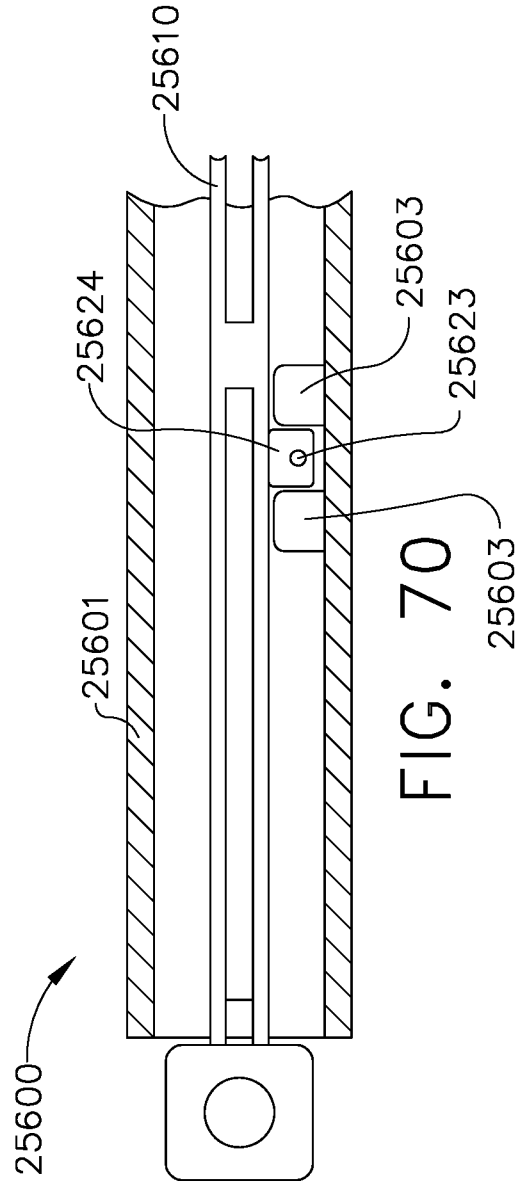


FIG. 69





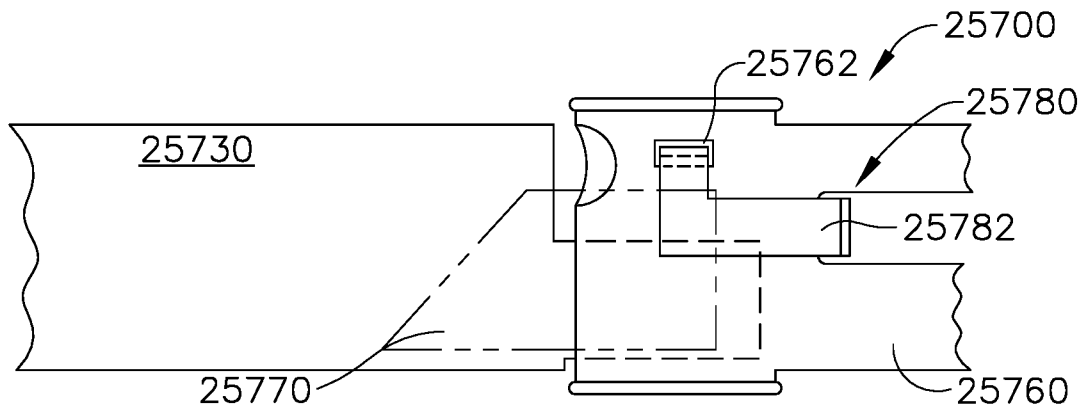


FIG. 71

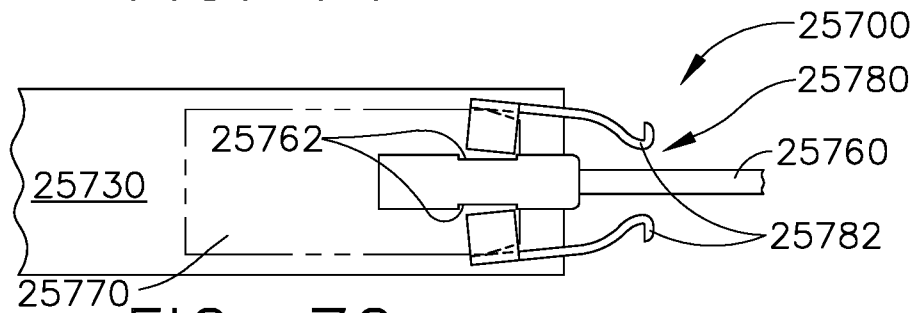


FIG. 72

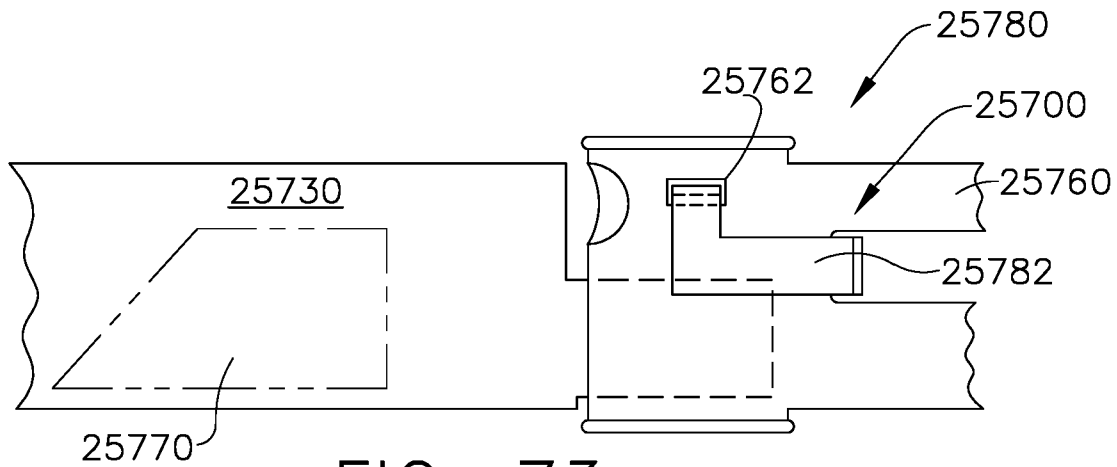


FIG. 73

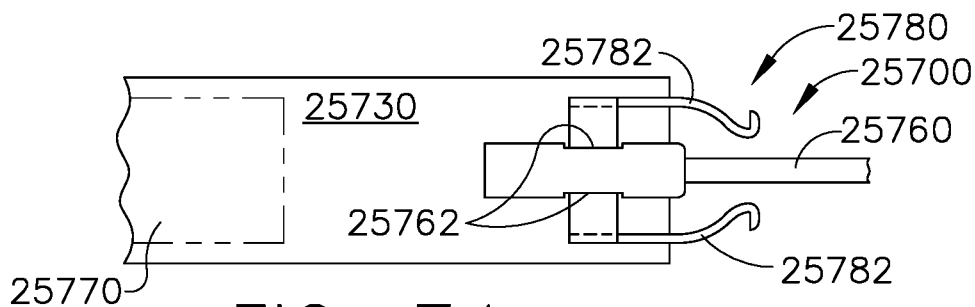


FIG. 74

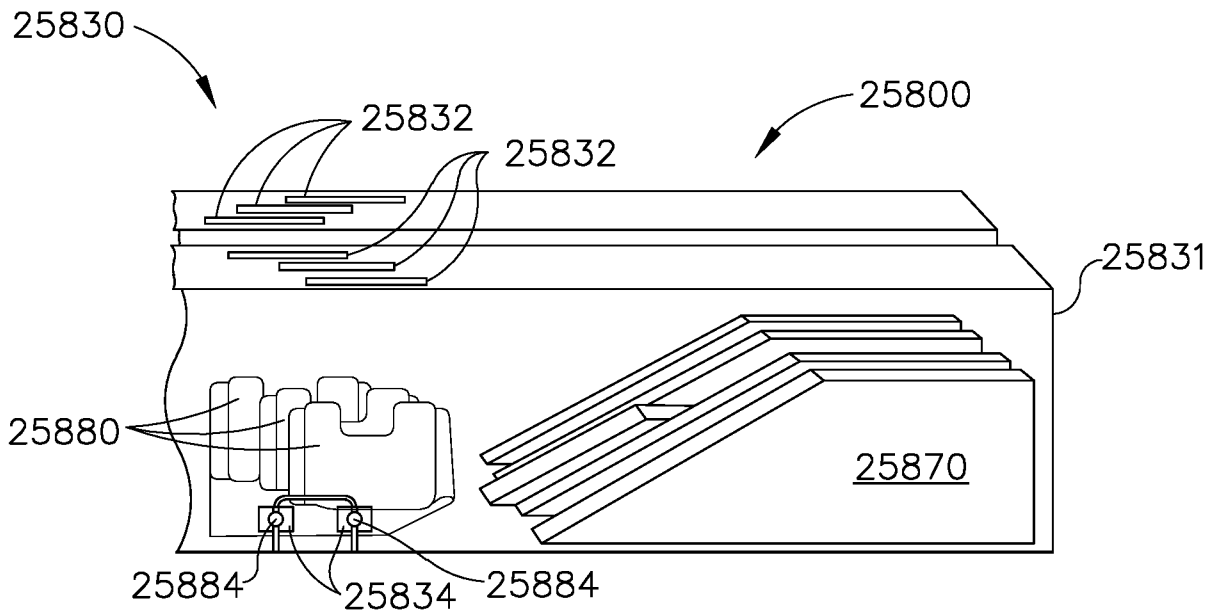


FIG. 75

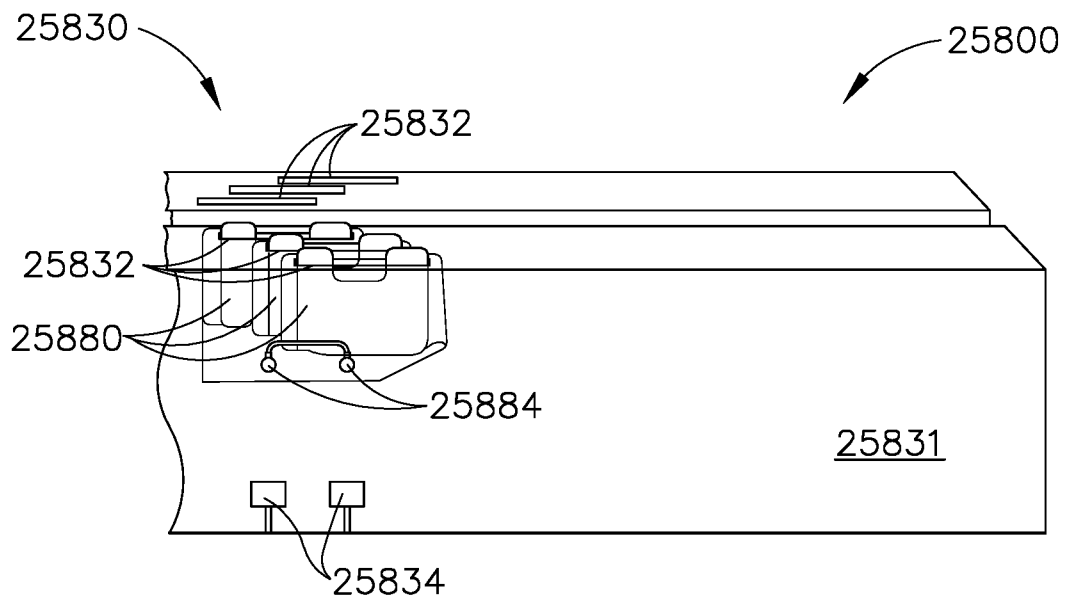


FIG. 76

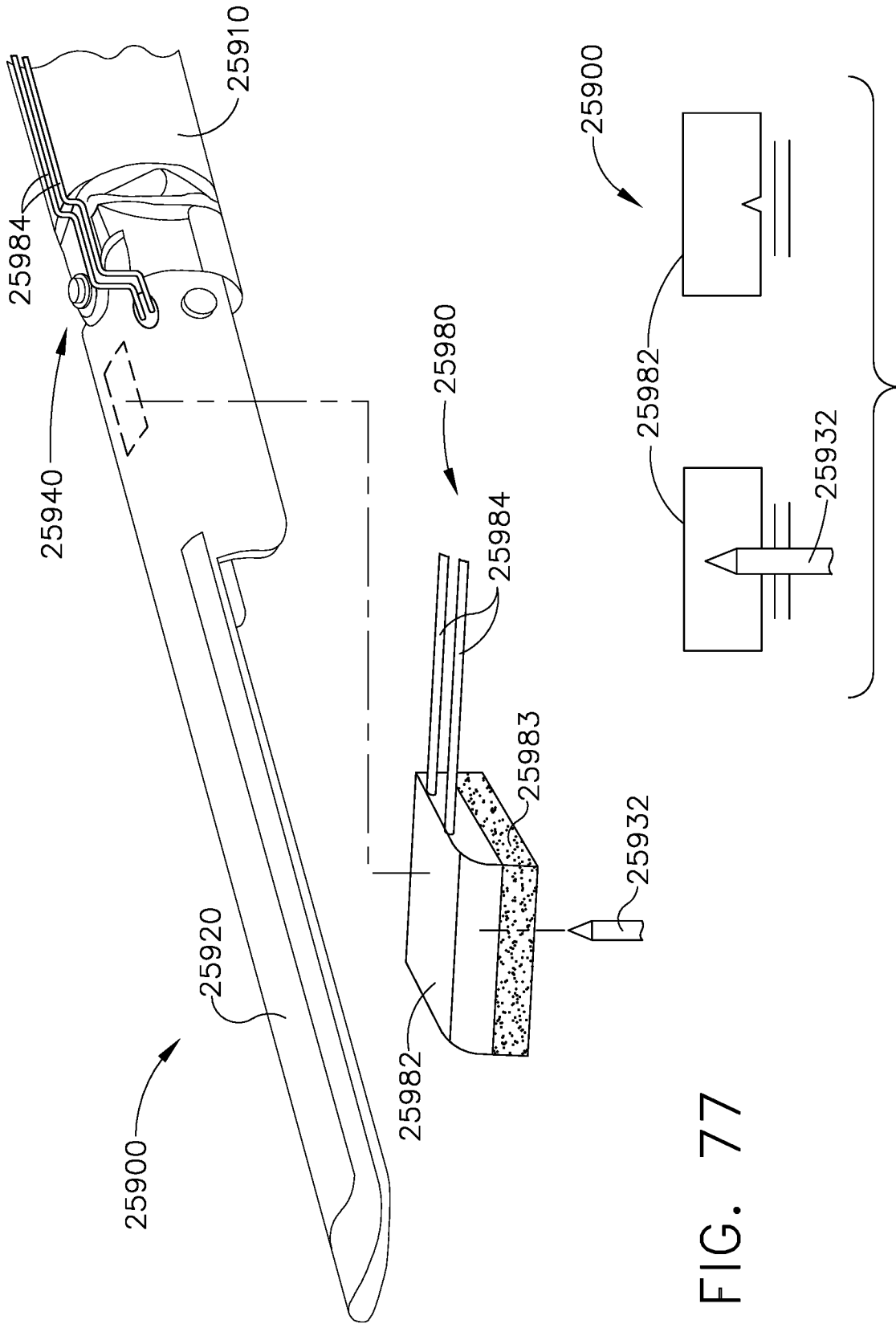
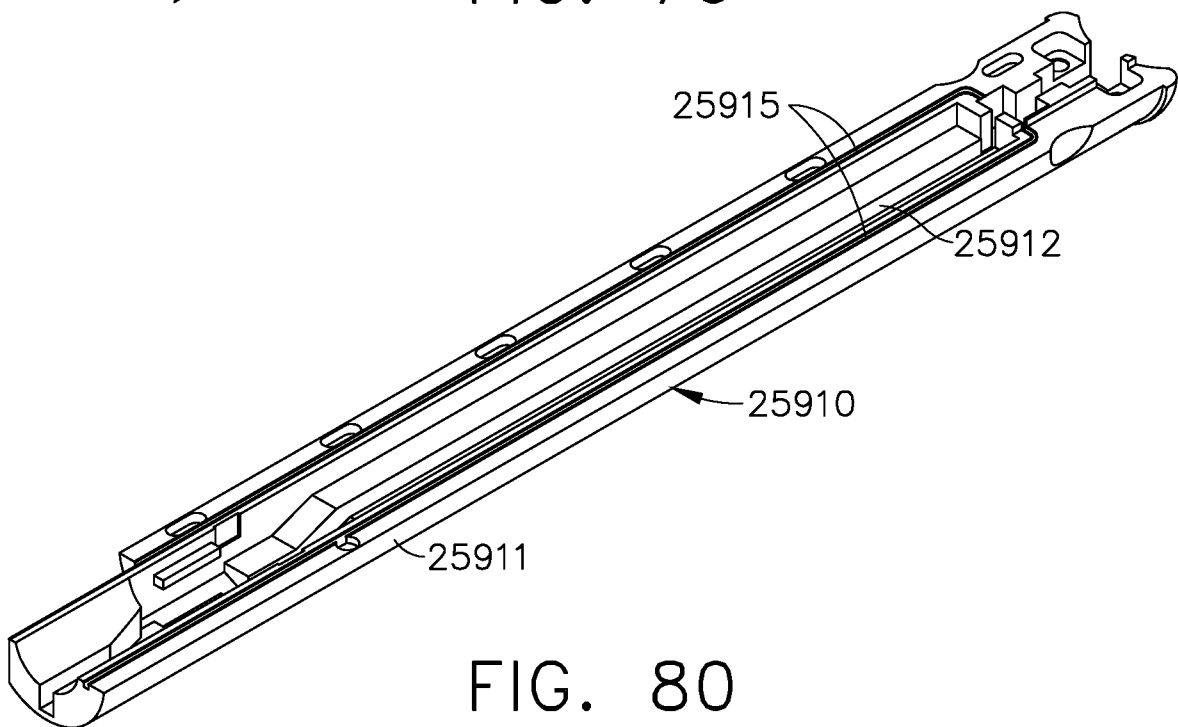
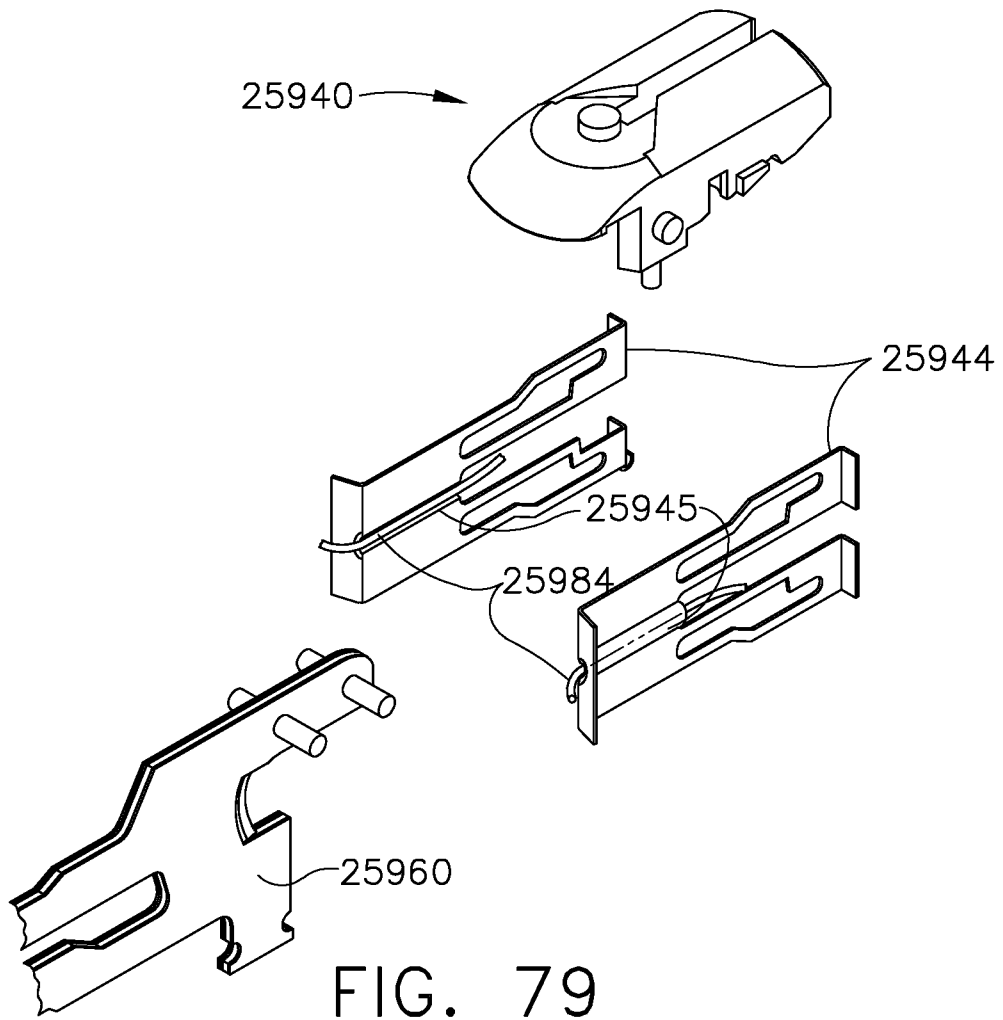


FIG. 77

FIG. 78



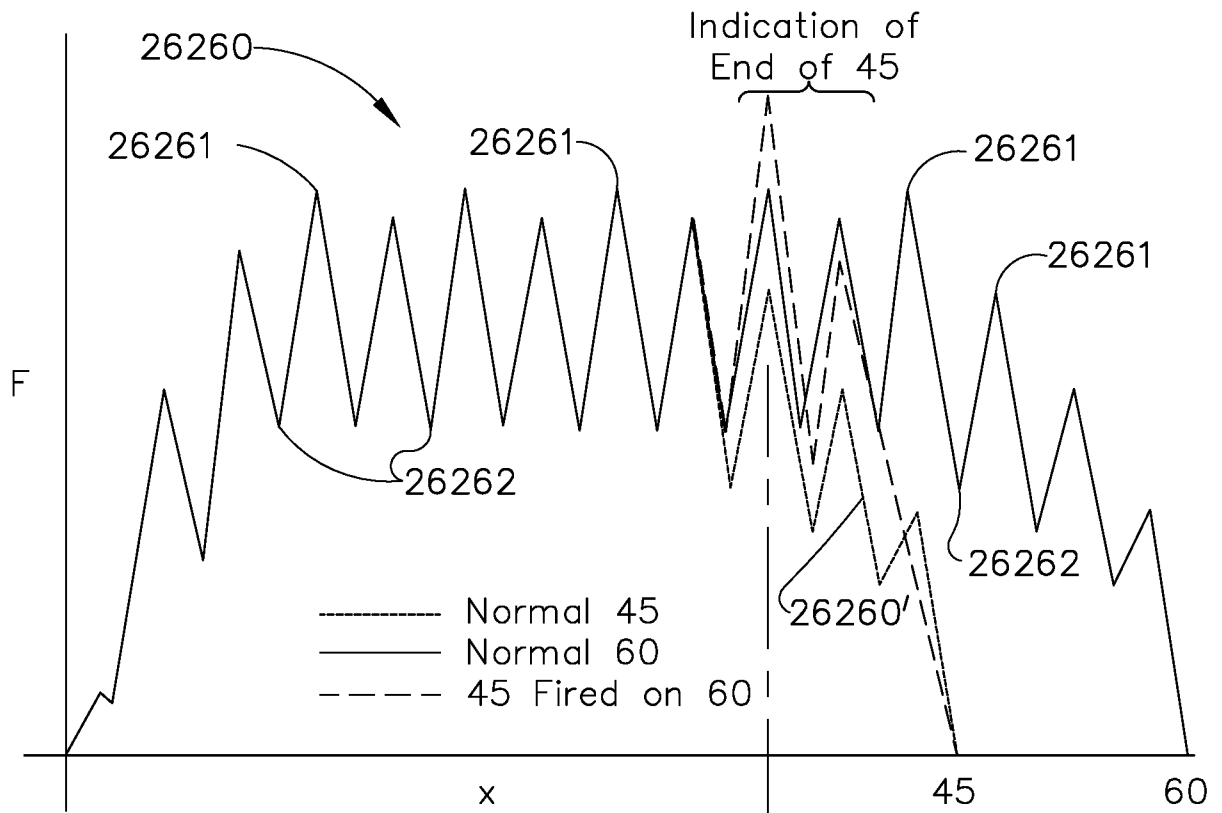


FIG. 81A

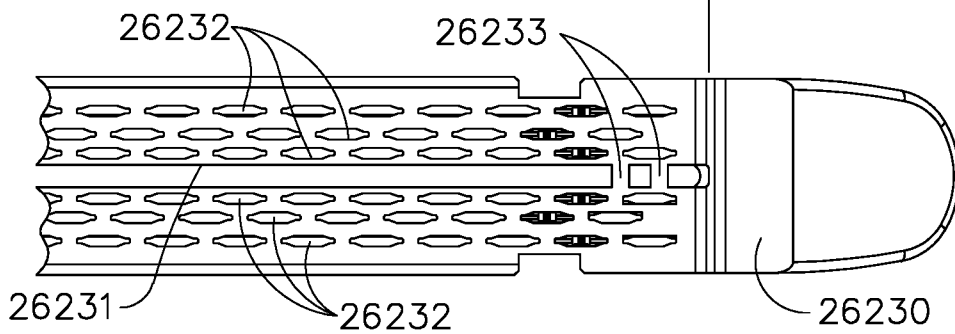


FIG. 81

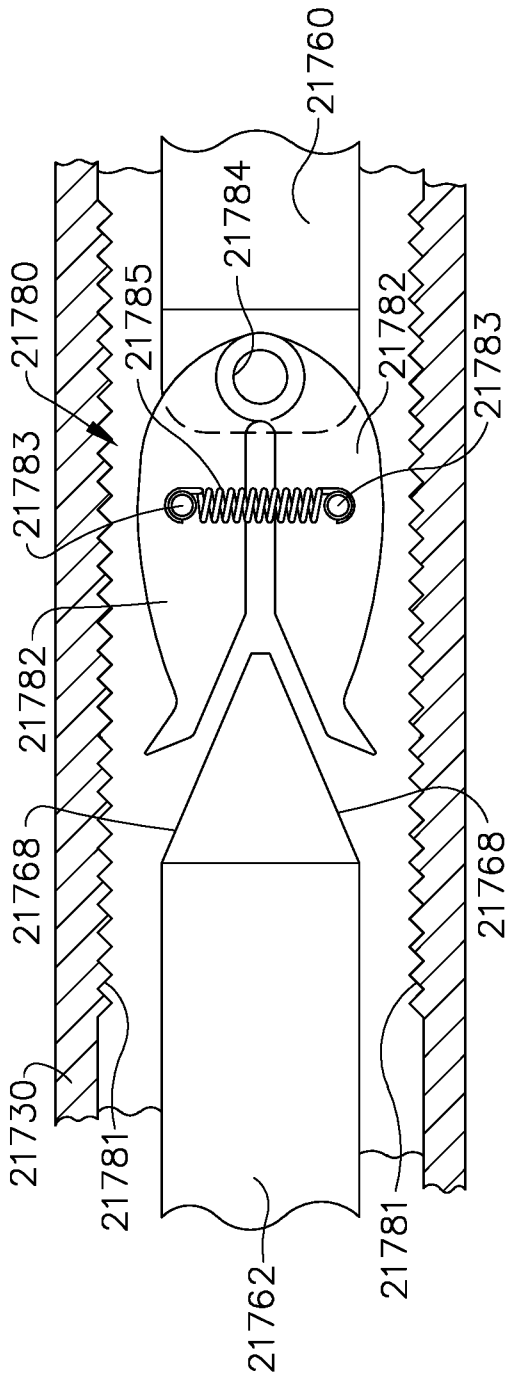


FIG. 82

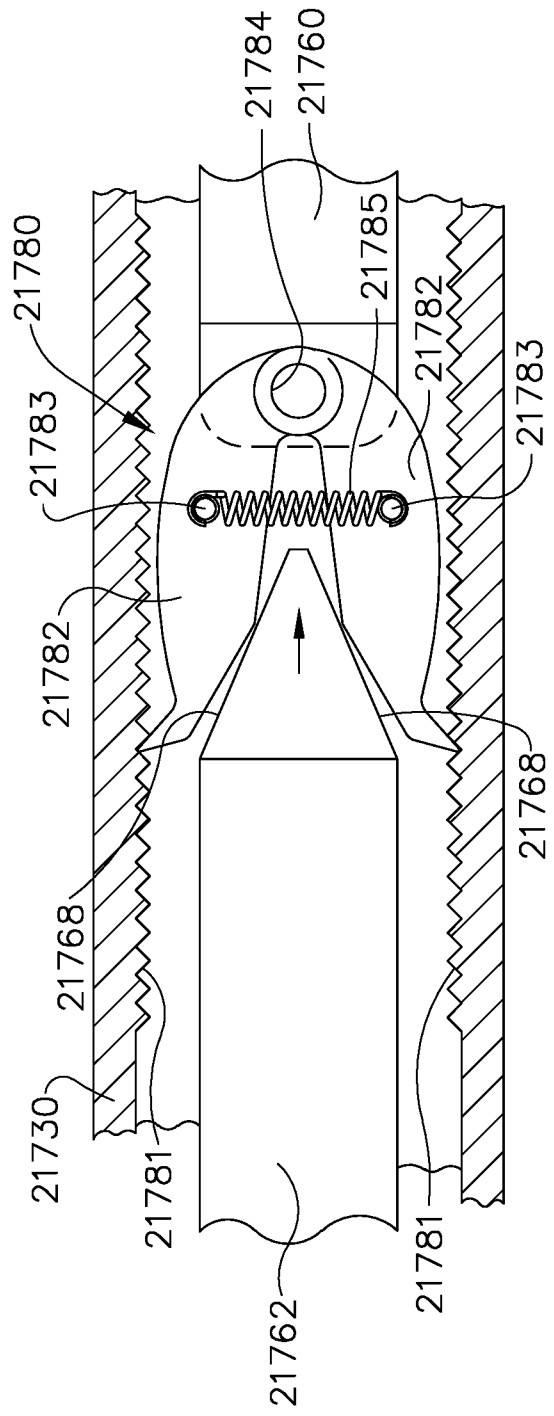


FIG. 83

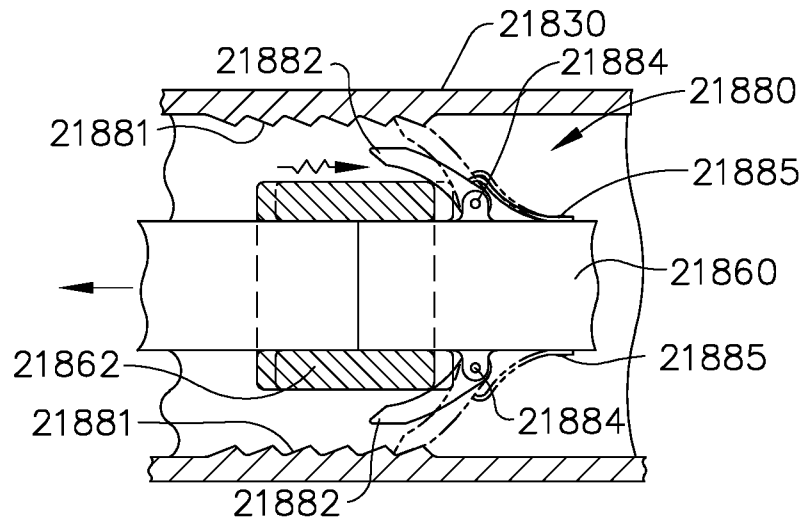


FIG. 84

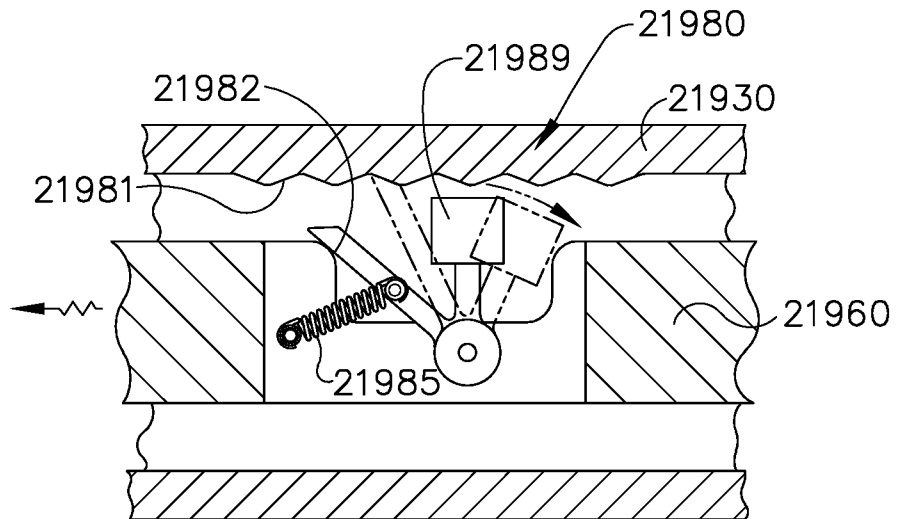


FIG. 85



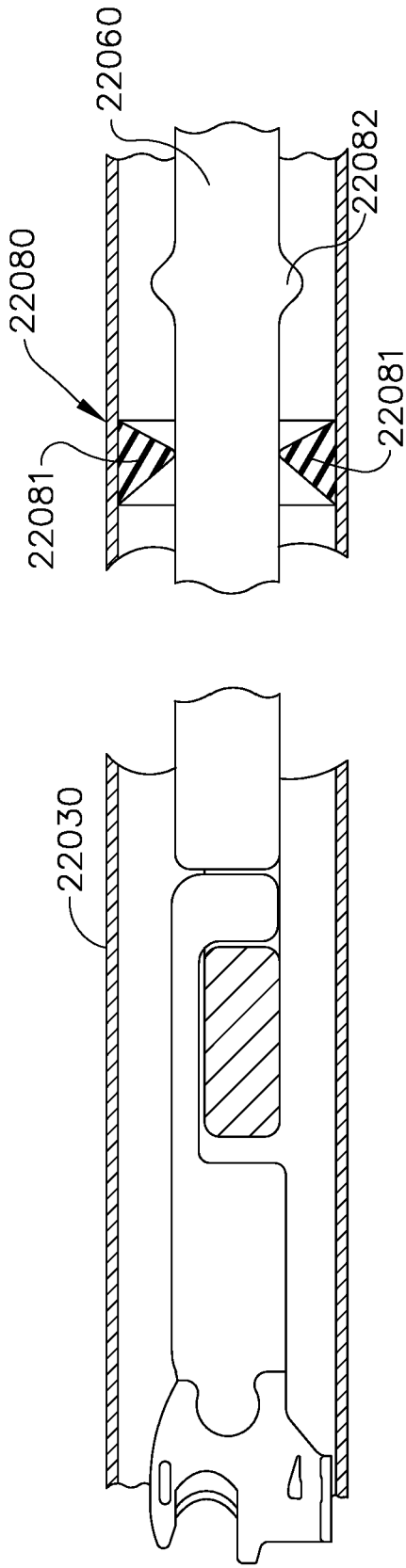


FIG. 86

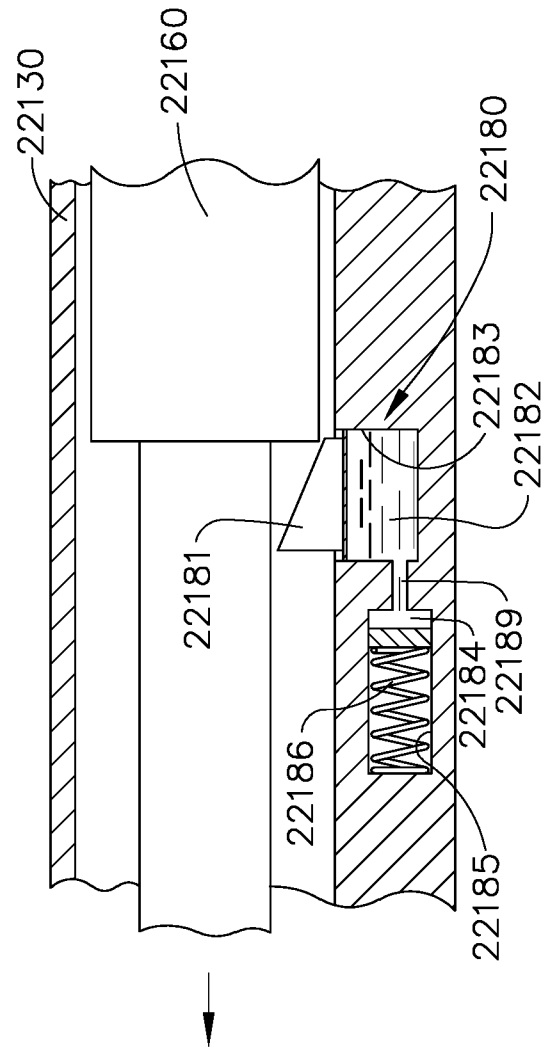


FIG. 87

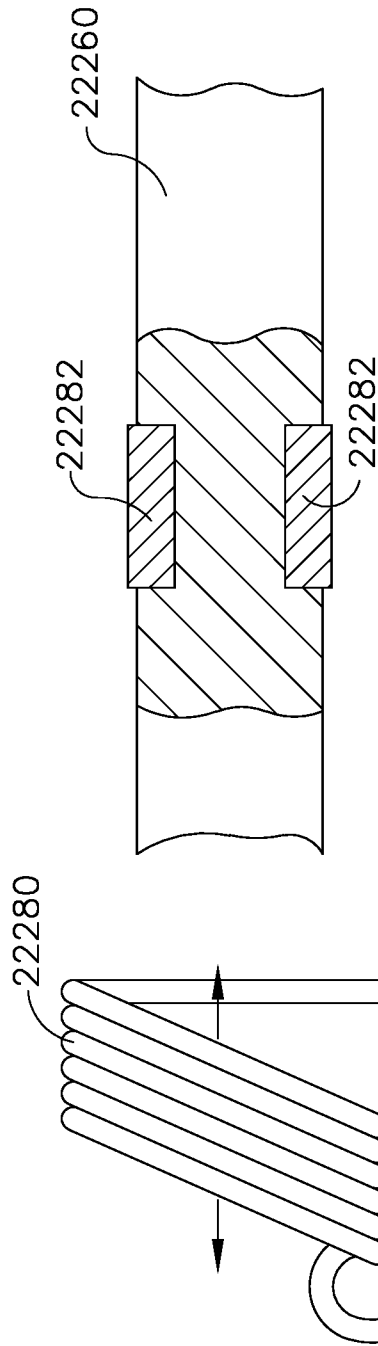


FIG. 88

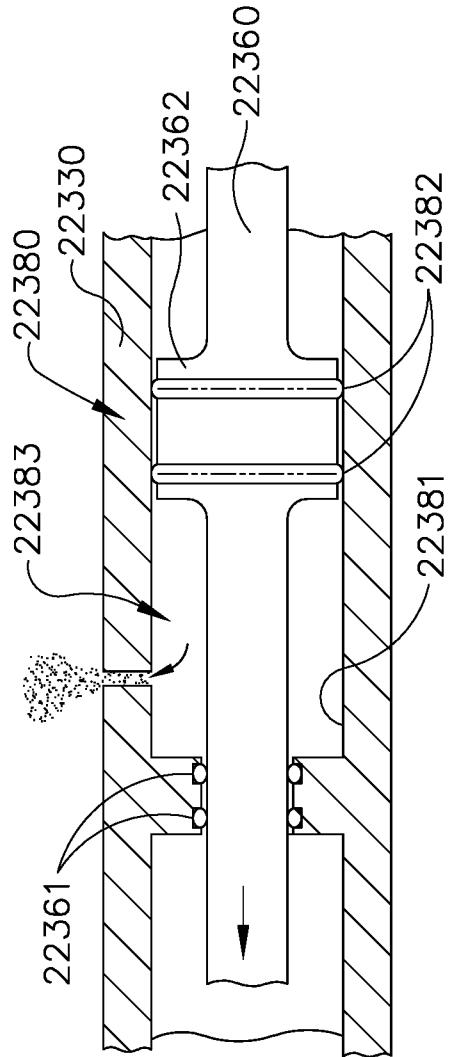


FIG. 89

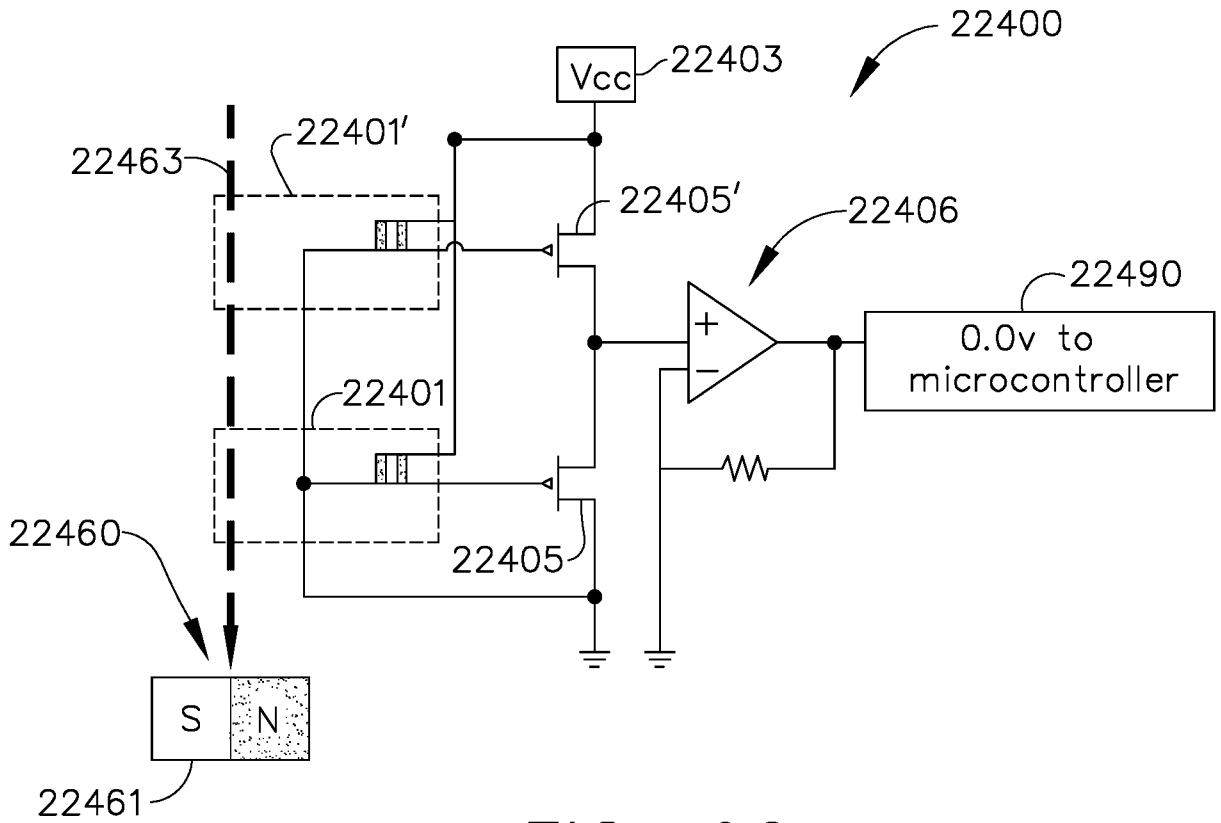


FIG. 90

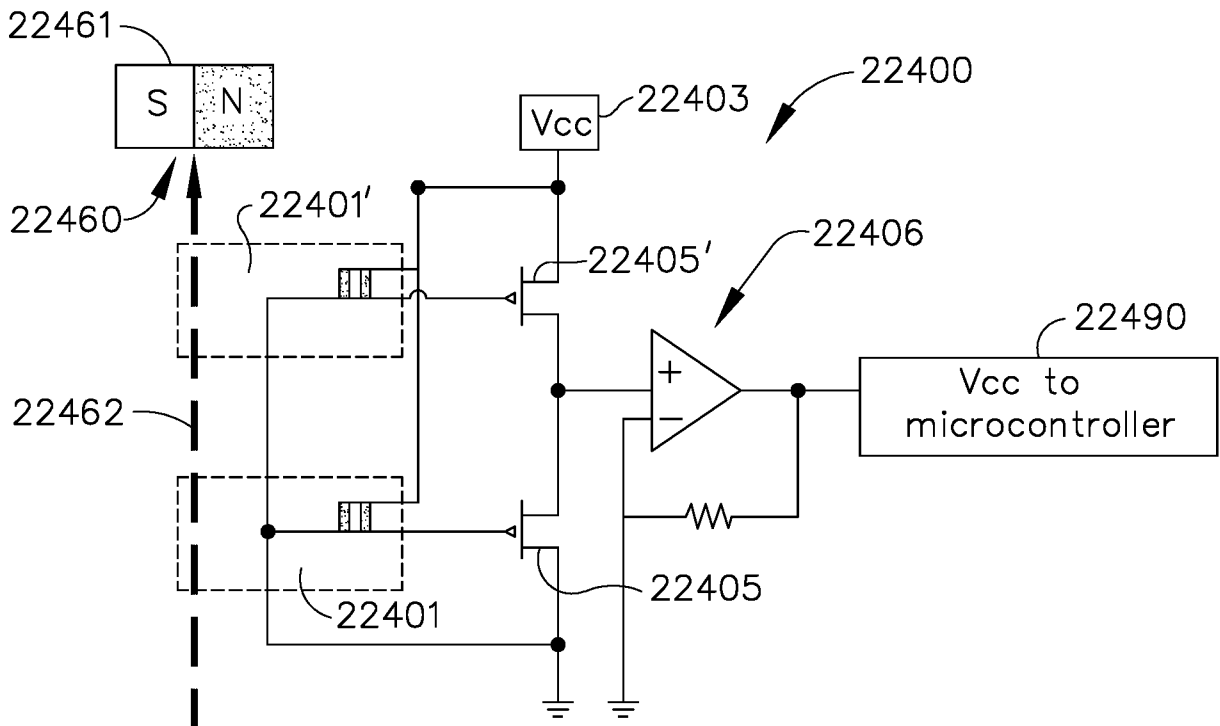


FIG. 91

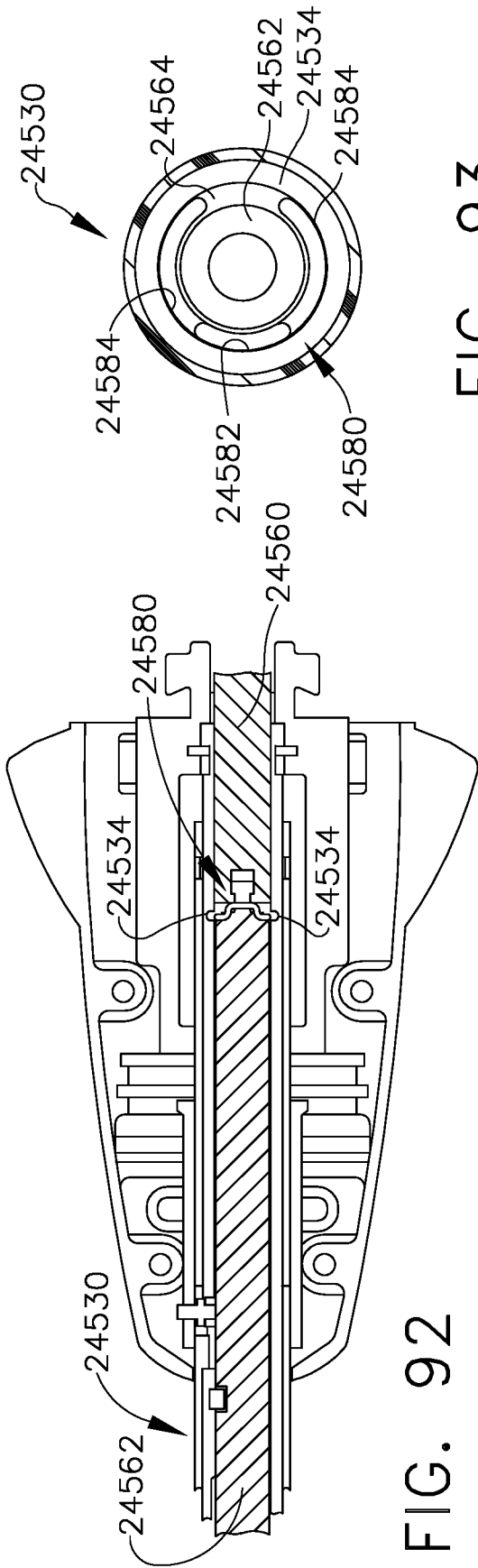


FIG. 92

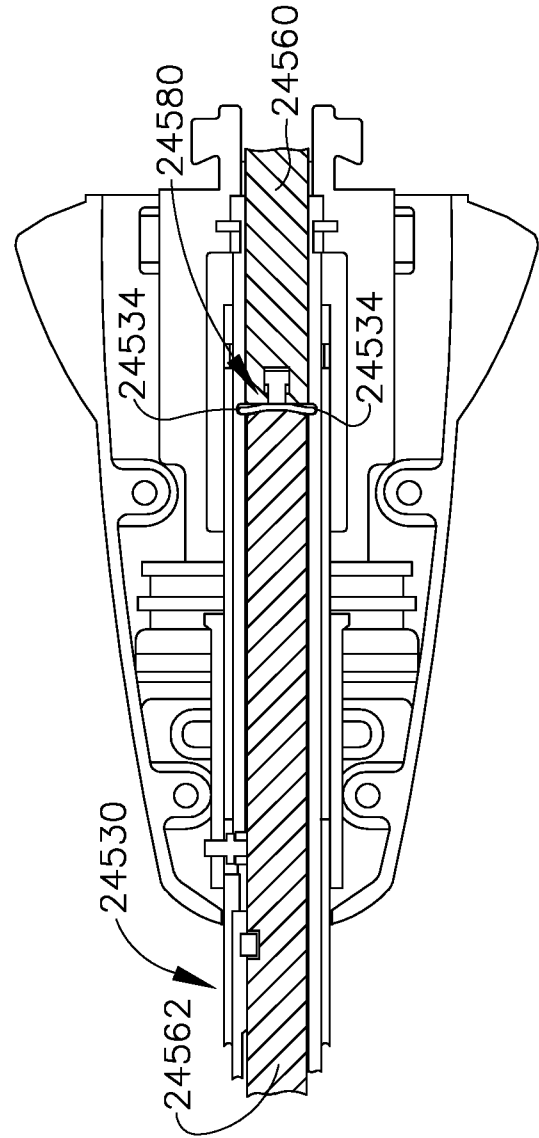


FIG. 94

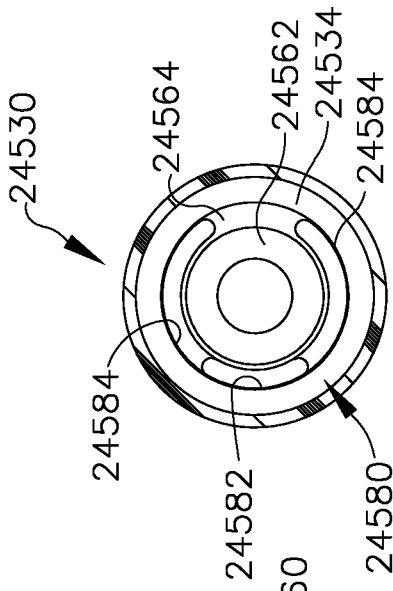


FIG. 93

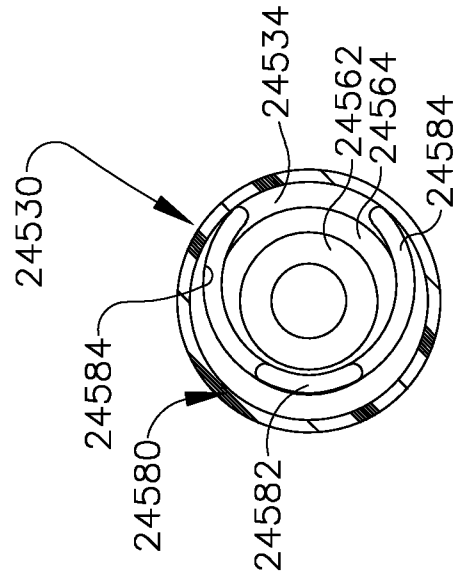


FIG. 95

INTERNATIONAL SEARCH REPORT

International application No  
PCT/US2017/027934

A. CLASSIFICATION OF SUBJECT MATTER  
INV. A61B17/072  
ADD. A61B90/00 A61B17/00

According to International Patent Classification (IPC) or to both national classification and IPC

B. FIELDS SEARCHED

Minimum documentation searched (classification system followed by classification symbols)  
A61B

Documentation searched other than minimum documentation to the extent that such documents are included in the fields searched

Electronic data base consulted during the international search (name of data base and, where practicable, search terms used)  
EPO-Internal

C. DOCUMENTS CONSIDERED TO BE RELEVANT

Category*	Citation of document, with indication, where appropriate, of the relevant passages	Relevant to claim No.
X	EP 2 090 241 A1 (ETHICON ENDO SURGERY INC [US]) 19 August 2009 (2009-08-19)	1-3,6,7, 17,18
Y	paragraph [0019] - paragraph [0020] paragraph [0028] - paragraph [0031] paragraph [0036] - paragraph [0043] figures 1-5	9-13,16
Y	----- US 2011/017801 A1 (ZEMLOK MICHAEL A [US] ET AL) 27 January 2011 (2011-01-27) paragraph [0066] figure 1	9
Y	----- EP 2 777 524 A2 (ETHICON ENDO SURGERY INC [US]) 17 September 2014 (2014-09-17)	10-13,16
A	paragraph [0053] - paragraph [0056] paragraph [0061] figures 11A,50A,50B	15
	----- -/--	

Further documents are listed in the continuation of Box C.

See patent family annex.

\* Special categories of cited documents :

- "A" document defining the general state of the art which is not considered to be of particular relevance
- "E" earlier application or patent but published on or after the international filing date
- "L" document which may throw doubts on priority claim(s) or which is cited to establish the publication date of another citation or other special reason (as specified)
- "O" document referring to an oral disclosure, use, exhibition or other means
- "P" document published prior to the international filing date but later than the priority date claimed

- "T" later document published after the international filing date or priority date and not in conflict with the application but cited to understand the principle or theory underlying the invention
- "X" document of particular relevance; the claimed invention cannot be considered novel or cannot be considered to involve an inventive step when the document is taken alone
- "Y" document of particular relevance; the claimed invention cannot be considered to involve an inventive step when the document is combined with one or more other such documents, such combination being obvious to a person skilled in the art
- "&" document member of the same patent family

Date of the actual completion of the international search  26 July 2017	Date of mailing of the international search report  04/08/2017
---	--

Name and mailing address of the ISA/ European Patent Office, P.B. 5818 Patentlaan 2 NL - 2280 HV Rijswijk Tel. (+31-70) 340-2040, Fax: (+31-70) 340-3016	Authorized officer  Ebbinghaus, M
--	---

# INTERNATIONAL SEARCH REPORT

International application No  
PCT/US2017/027934

C(Continuation). DOCUMENTS CONSIDERED TO BE RELEVANT		
Category*	Citation of document, with indication, where appropriate, of the relevant passages	Relevant to claim No.
A	US 5 693 042 A (BOIARSKI ANTHONY A [US] ET AL) 2 December 1997 (1997-12-02) column 4, line 37 - column 5, line 15 figures 1-6 -----	14

## INTERNATIONAL SEARCH REPORT

Information on patent family members

International application No

PCT/US2017/027934

Patent document cited in search report	Publication date	Patent family member(s)	Publication date
EP 2090241	A1	19-08-2009	BR PI0901480 A2 06-04-2010
			CN 101518460 A 02-09-2009
			EP 2090241 A1 19-08-2009
			JP 5484749 B2 07-05-2014
			JP 2009189841 A 27-08-2009
			RU 2009105139 A 20-08-2010
			US 2009206132 A1 20-08-2009
-----			
US 2011017801	A1	27-01-2011	AU 2010226969 A1 21-04-2011
			CA 2716235 A1 05-04-2011
			CN 102028509 A 27-04-2011
			EP 2308388 A1 13-04-2011
			EP 3158948 A2 26-04-2017
			ES 2611081 T3 04-05-2017
			JP 2011078772 A 21-04-2011
			US 2011017801 A1 27-01-2011
-----			
EP 2777524	A2	17-09-2014	BR 102014005779 A2 11-11-2014
			CN 104042267 A 17-09-2014
			EP 2777524 A2 17-09-2014
			JP 2014171904 A 22-09-2014
			RU 2014109134 A 20-09-2015
-----			
US 5693042	A	02-12-1997	AU 689548 B2 02-04-1998
			AU 5285398 A 02-04-1998
			CA 2147951 A1 29-10-1995
			EP 0679367 A2 02-11-1995
			JP H07299074 A 14-11-1995
			US 5529235 A 25-06-1996
			US 5535934 A 16-07-1996
			US 5535937 A 16-07-1996
			US 5562239 A 08-10-1996
			US 5693042 A 02-12-1997
-----			