

(19) World Intellectual Property Organization
International Bureau



(43) International Publication Date
12 April 2007 (12.04.2007)

PCT

(10) International Publication Number
WO 2007/041062 A3

- (51) International Patent Classification:
A61B 5/15 (2006.01)
- (21) International Application Number:
PCT/US2006/037245
- (22) International Filing Date:
26 September 2006 (26.09.2006)
- (25) Filing Language: English
- (26) Publication Language: English
- (30) Priority Data:
11/239,123 30 September 2005 (30.09.2005) US
- (71) Applicant (for all designated States except US):
ROSEDALE MEDICAL, INC. [US/US]; 10161 Bubb
Road, Cupertino, CA 95014 (US).
- (72) Inventors; and
- (75) Inventors/Applicants (for US only): **ESCUTIA, Raul**
[US/US]; 260 Palo Alto Avenue, Palo Alto, CA 94301
(US). **EMERY, Jeffrey, L.** [US/US]; 338 Lakeview Way,
Redwood City, CA 94062 (US).
- (74) Agent: **CUMMINGS, Scott, W.**; **BUCHANAN INGER-**
SOLL & ROONEY P.C., P.O. Box 1404, Alexandria, VA
22313-1404 (US).

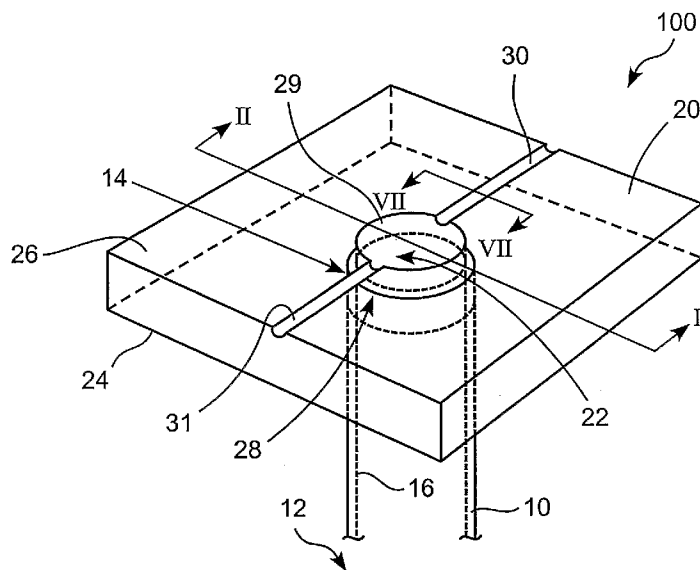
- (81) Designated States (unless otherwise indicated, for every kind of national protection available): AE, AG, AL, AM, AT, AU, AZ, BA, BB, BG, BR, BW, BY, BZ, CA, CH, CN, CO, CR, CU, CZ, DE, DK, DM, DZ, EC, EE, EG, ES, FI, GB, GD, GE, GH, GM, HN, HR, HU, ID, IL, IN, IS, JP, KE, KG, KM, KN, KP, KR, KZ, LA, LC, LK, LR, LS, LT, LU, LV, LY, MA, MD, MG, MK, MN, MW, MX, MY, MZ, NA, NG, NI, NO, NZ, OM, PG, PH, PL, PT, RO, RS, RU, SC, SD, SE, SG, SK, SL, SM, SV, SY, TJ, TM, TN, TR, TT, TZ, UA, UG, US, UZ, VC, VN, ZA, ZM, ZW.
- (84) Designated States (unless otherwise indicated, for every kind of regional protection available): ARIPO (BW, GH, GM, KE, LS, MW, MZ, NA, SD, SL, SZ, TZ, UG, ZM, ZW), Eurasian (AM, AZ, BY, KG, KZ, MD, RU, TJ, TM), European (AT, BE, BG, CH, CY, CZ, DE, DK, EE, ES, FI, FR, GB, GR, HU, IE, IS, IT, LT, LU, LV, MC, NL, PL, PT, RO, SE, SI, SK, TR), OAPI (BF, BJ, CF, CG, CI, CM, GA, GN, GQ, GW, ML, MR, NE, SN, TD, TG).

Declarations under Rule 4.17:

- as to applicant's entitlement to apply for and be granted a patent (Rule 4.17(ii))
- as to the applicant's entitlement to claim the priority of the earlier application (Rule 4.17(iii))

[Continued on next page]

(54) Title: DEVICES AND METHODS FOR FACILITATING FLUID TRANSPORT



(57) Abstract: Arrangements are provided including a base having a bore disposed therein extending from a first surface of the base through a second surface of the base, a fluid transport tube having a first end, a second end opposite the first end, and a lumen having an inner diameter, at least the second end of the tube being received within the bore of the base, and at least one fluid transport enhancing groove having at least a first section disposed in the second surface of the base and in fluid communication with the bore.

WO 2007/041062 A3



Published:

— with international search report

(88) Date of publication of the international search report:

13 December 2007

For two-letter codes and other abbreviations, refer to the "Guidance Notes on Codes and Abbreviations" appearing at the beginning of each regular issue of the PCT Gazette.

INTERNATIONAL SEARCH REPORT

International application No.

PCT/US06/37245

A. CLASSIFICATION OF SUBJECT MATTER

IPC(8) - A61B 5/15 (2007.01)

USPC - 600/576,583; 73/864(.83,.91)

According to International Patent Classification (IPC) or to both national classification and IPC

B. FIELDS SEARCHED

Minimum documentation searched (classification system followed by classification symbols)

IPC(8) - A61B 5/15 (2007.01)

USPC - 600/576,583; 73/864(.83,.91)

Documentation searched other than minimum documentation to the extent that such documents are included in the fields searched

Electronic data base consulted during the international search (name of data base and, where practicable, search terms used)

USPTO EAST System (US, USPG-PUB, EPO, DERWENT), MicroPatent.

C. DOCUMENTS CONSIDERED TO BE RELEVANT

Category*	Citation of document, with indication, where appropriate, of the relevant passages	Relevant to claim No.
Y	US 2004/0191119 A1 (ZANZUCCHI) 30 September 2004 (30.09.2004) entire document	1-48
Y	EP 1,486,766 A (KURIGER) 15 December 2004 (15.12.2004) entire document	1-48
Y	US 2004/0186394 A1 (ROE et al) 23 September 2004 (23.09.2004) entire document	4-5
Y	US 3,623,475 A (SANZ) 30 November 1971 (30.11.1971) entire document	6-14, 21, 23-24, 26-30
Y	US 2003/0039587 A1 (NIERMANN) 27 February 2003 (27.02.2003) entire document	8-14, 23-24, 26-30, 34-35
Y	US 5,399,316 A (YAMADA) 21 March 1995 (21.03.1995) entire document	9, 12
Y	US 2005/0178218 A1 (MONTAGU) 18 August 2005 (18.08.2005) entire document	11, 13-14
Y	US 6,183,434 B1 (EPSTEIN) 06 February 2001 (06.02.2001) entire document	15-17,18
Y	US 2005/0202733 A1 (YOSHIMUR et al) 15 September 2005 (15.09.2005) entire document	17,19-22
Y	US 2,749,797 A (HARKS) 12 June 1956 (12.06.1956) entire document	32, 34-35
Y	US 2005/0015020 A1 (LEVAUGHN et al) 20 January 2005 (20.01.2005) entire document	39-42, 45-48

Further documents are listed in the continuation of Box C.

* Special categories of cited documents:

"A" document defining the general state of the art which is not considered to be of particular relevance

"E" earlier application or patent but published on or after the international filing date

"L" document which may throw doubts on priority claim(s) or which is cited to establish the publication date of another citation or other special reason (as specified)

"O" document referring to an oral disclosure, use, exhibition or other means

"P" document published prior to the international filing date but later than the priority date claimed

"T" later document published after the international filing date or priority date and not in conflict with the application but cited to understand the principle or theory underlying the invention

"X" document of particular relevance: the claimed invention cannot be considered novel or cannot be considered to involve an inventive step when the document is taken alone

"Y" document of particular relevance: the claimed invention cannot be considered to involve an inventive step when the document is combined with one or more other such documents, such combination being obvious to a person skilled in the art

"&" document member of the same patent family

Date of the actual completion of the international search

06 July 2007

Date of mailing of the international search report

20 AUG 2007

Name and mailing address of the ISA/US
 Mail Stop PCT, Attn: ISA/US, Commissioner for Patents
 P.O. Box 1450, Alexandria, Virginia 22313-1450
 Facsimile No. 571-273-3201

Authorized officer:
 Blaine R. Copenheaver

PCT Helpdesk: 571-272-4300
 PCT OSP: 571-272-7774