



US00D579586S

(12) **United States Design Patent**
Mattingly

(10) **Patent No.:** **US D579,586 S**

(45) **Date of Patent:** **** Oct. 28, 2008**

(54) **PANEL WITH REPEATING RECTANGULAR PATTERN FOR WALL OR CEILING**

Primary Examiner—Catherine R Oliver
(74) *Attorney, Agent, or Firm*—Camerland and Associates;
Theresa Fritz Camoriano

(76) Inventor: **Ricky D. Mattingly**, 830 Catwalk Rd.,
Bagdad, KY (US) 40003

(57) **CLAIM**

(**) Term: **14 Years**

The ornamental design for a panel with repeating rectangular pattern for wall or ceiling, as shown and described.

(21) Appl. No.: **29/222,880**

(22) Filed: **Feb. 4, 2005**

DESCRIPTION

(51) **LOC (8) Cl.** **25-01**

FIG. 1 is a broken-away perspective view of a panel with repeating rectangular pattern for wall or ceiling showing my design;

(52) **U.S. Cl.** **D25/138**

FIG. 2 is a right side view thereof, which is a mirror image of the left side view;

(58) **Field of Classification Search** D25/138,
D25/139, 141, 143, 163, 157; 52/314, 316,
52/450, 537, 551, 783.11, 783.19, 630

See application file for complete search history.

FIG. 3 is a top view thereof, which is a mirror image of the bottom view; and,

FIG. 4 is a front view thereof.

(56) **References Cited**

The drawings are shown broken away to indicate indeterminate length.

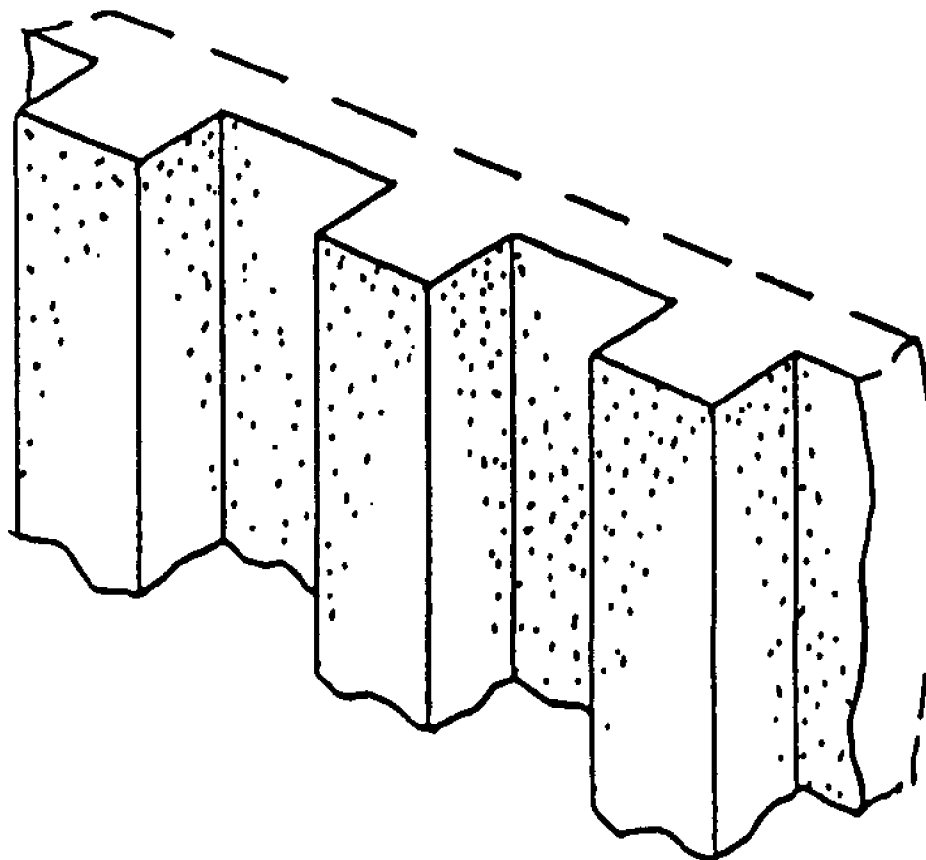
U.S. PATENT DOCUMENTS

3,959,942	A *	6/1976	Merson	52/630
4,722,158	A *	2/1988	Urdaneta	52/316
D426,321	S *	6/2000	Lockwood	D25/138
6,691,482	B1 *	2/2004	Ault	52/450

The broken line showing of environment in the drawings is included for the purpose of illustrating only and forms no part of the claimed design.

* cited by examiner

1 Claim, 1 Drawing Sheet



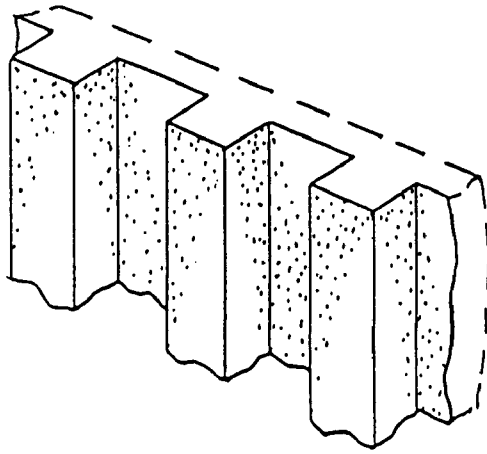


FIG. 1

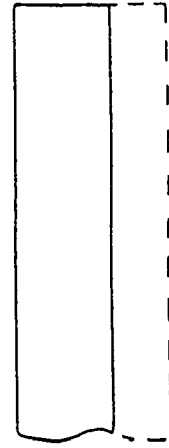


FIG. 2

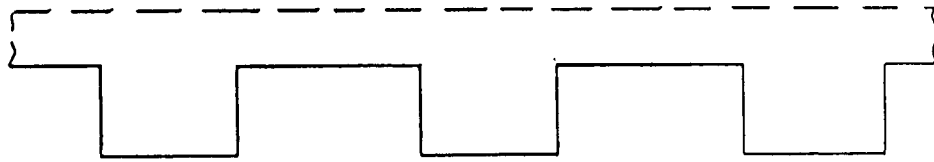


FIG. 3

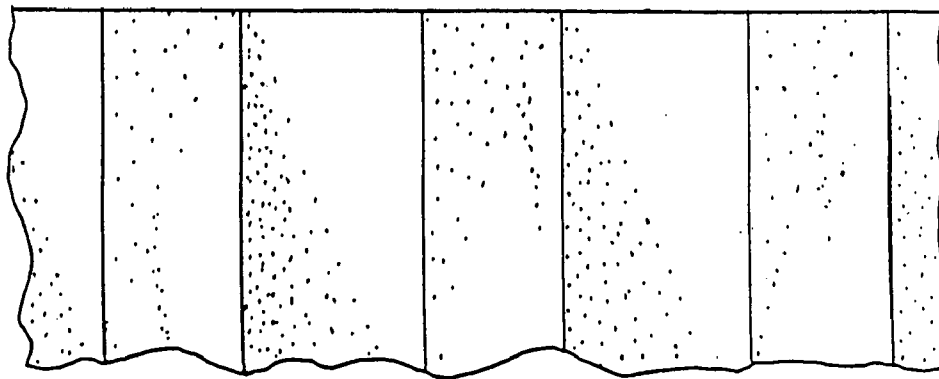


FIG. 4