

United States Patent [19]

Skully et al.

[11] Patent Number: Des. 313,221

[45] Date of Patent: ** Dec. 25, 1990

[54] SUPPORT AND CHARGING BASE FOR A SHAVER

[75] Inventors: **Gerald W. Skully**, Worthington;
Spencer Murrell, Delaware, both of Ohio

[73] Assignee: **Remington Products, Inc.**,
Bridgeport, Conn.

[**] Term: **14 Years**

[21] Appl. No.: **234,298**

[22] Filed: **Aug. 19, 1988**

[52] U.S. Cl. **D13/108**

[58] Field of Search **D28/48-54,**
D28/44-47; D13/5-6, 108; 30/43, 45; 132/289;
320/2

[56] **References Cited**

U.S. PATENT DOCUMENTS

D. 206,590 1/1967 Haggstrom D13/6
D. 275,482 9/1984 Coons et al. D13/5
D. 277,662 2/1985 Huntington et al. D13/5

Primary Examiner—B. J. Bullock
Assistant Examiner—Sandra Morris

[57] **CLAIM**

The ornamental design for a support and charging base for a shaver, as shown and described.

DESCRIPTION

FIG. 1 is a perspective view of a support and charging base for a shaver showing our new design;
FIG. 2 is a rear elevational view thereof;
FIG. 3 is a top plan view thereof;
FIG. 4 is a bottom plan view thereof;
FIG. 5 is a left side elevational view thereof; the right side being a mirror image; and
FIG. 6 is a front elevational view thereof.

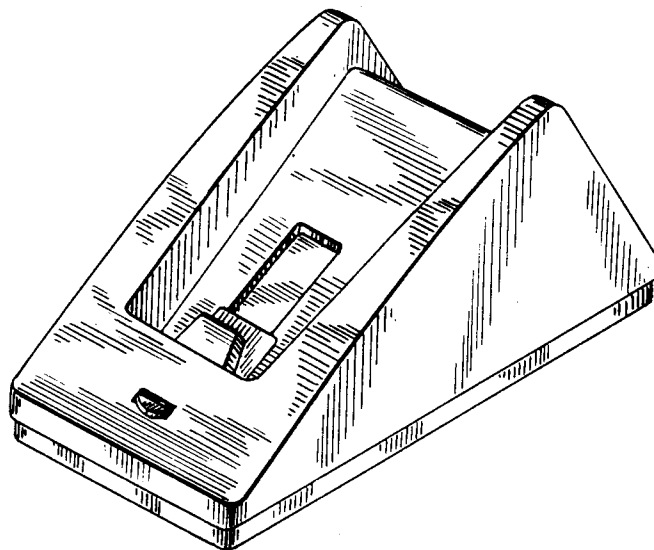


Fig. 1.

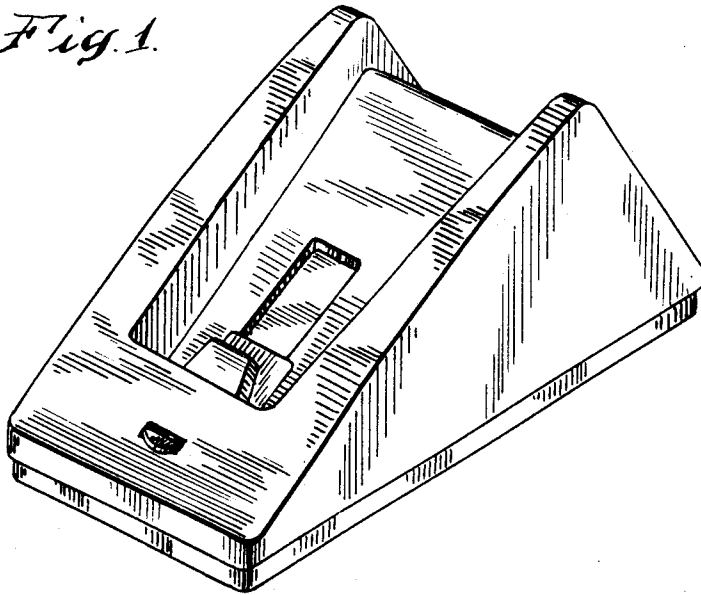


Fig. 2.

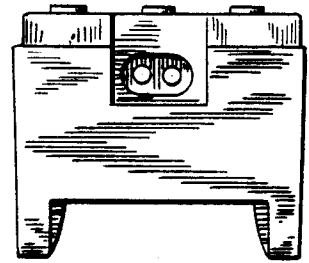


Fig. 3.

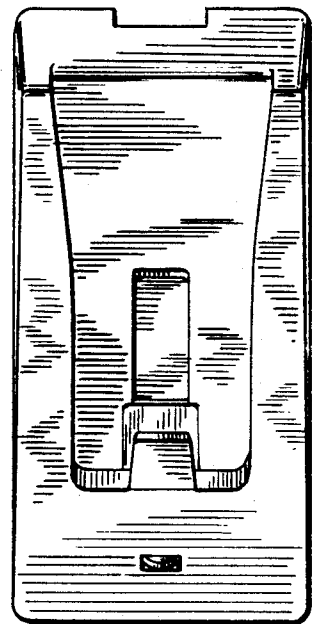
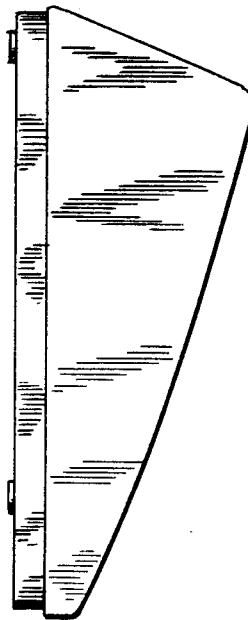
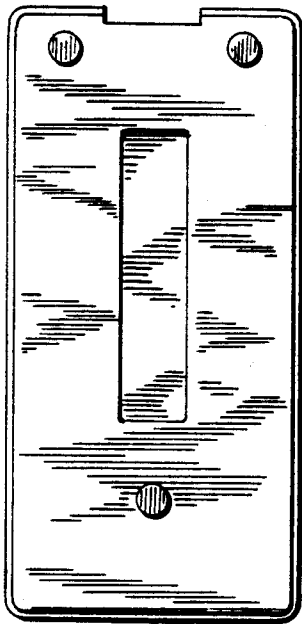


Fig. 4.

Fig. 5.

Fig. 6.

