



US00D992387S

(12) **United States Design Patent**  
**McKenzie et al.**

(10) **Patent No.:** **US D992,387 S**

(45) **Date of Patent:** **\*\* Jul. 18, 2023**

- (54) **EXTRACTOR SOCKET**
- (71) Applicant: **APEX BRANDS, INC.**, Apex, NC (US)
- (72) Inventors: **Timothy T. McKenzie**, Westminster, MD (US); **Zhihong Fu**, Cary, NC (US)
- (73) Assignee: **APEX BRANDS, INC.**, Apex, NC (US)

4,671,141 A	6/1987	Hanson
4,882,957 A	11/1989	Wright et al.
4,947,713 A	8/1990	Arnold
4,982,627 A	1/1991	Johnson
5,092,203 A	3/1992	Mader et al.
5,131,312 A	7/1992	Macor
5,219,392 A	6/1993	Ruzicka et al.
5,277,088 A	1/1994	Vasichek et al.
5,279,190 A	1/1994	Goss et al.
5,361,657 A	11/1994	Terry
5,476,024 A	12/1995	Hsieh

(Continued)

(\*\*) Term: **15 Years**

**FOREIGN PATENT DOCUMENTS**

(21) Appl. No.: **29/890,800**

CA	1287991 C	8/1991
CA	2075566 A1	5/1993

(Continued)

(22) Filed: **Apr. 27, 2023**

**Related U.S. Application Data**

(63) Continuation of application No. 29/834,646, filed on Apr. 13, 2022, which is a continuation of application No. 16/204,134, filed on Nov. 29, 2018, now Pat. No. 11,554,470.

- (51) **LOC (14) CI.** ..... **08-05**
- (52) **U.S. CI.**
- USPC ..... **D8/29**
- CPC ..... **B25B 27/18** (2013.01); **B25B 13/065** (2013.01); **B25B 23/105** (2013.01)

(58) **Field of Classification Search**

USPC ..... D8/29  
CPC ..... B25B 27/18; B25B 13/065; B25B 23/105; F16B 23/003

See application file for complete search history.

(56) **References Cited**

**U.S. PATENT DOCUMENTS**

1,590,200 A	6/1926	Mcguckin
2,969,250 A	1/1961	Kull
3,273,430 A	9/1966	Knudsen et al.
3,903,764 A	9/1975	Andersen
3,996,819 A	12/1976	King
4,073,160 A	2/1978	Perret
4,126,063 A	11/1978	Palmer

**OTHER PUBLICATIONS**

Partial European Search Report dated Aug. 8, 2019 for European Application No. 18211218.5.

(Continued)

*Primary Examiner* — Michael A. Pratt  
(74) *Attorney, Agent, or Firm* — Burr & Forman LLP

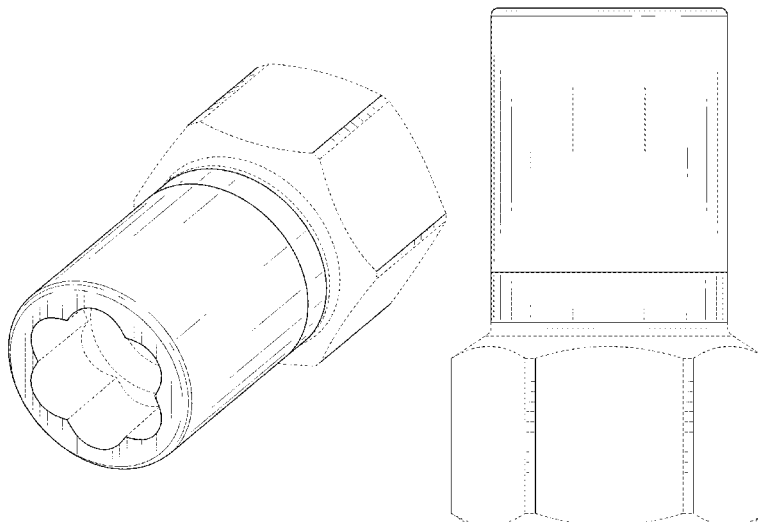
(57) **CLAIM**

The ornamental design for an extractor socket, as shown and described.

**DESCRIPTION**

FIG. 1 is a perspective view of an extractor socket in accordance with an embodiment of the present invention; FIG. 2 is a top view of the extractor socket of FIG. 1; FIG. 3 is a bottom view of the extractor socket of FIG. 1; and, FIG. 4 is a side view of the extractor socket of FIG. 1; The broken lines of FIGS. 1-4 form no part of the claimed design.

**1 Claim, 4 Drawing Sheets**



(56)

## References Cited

## U.S. PATENT DOCUMENTS

5,782,148 A 7/1998 Kerkhoven  
 5,904,076 A 5/1999 Siwy  
 5,924,342 A 7/1999 Chou  
 6,003,411 A 12/1999 Knox et al.  
 6,047,618 A 4/2000 Pieri  
 6,047,620 A 4/2000 Kozak et al.  
 6,082,229 A 7/2000 Shih  
 6,178,854 B1 1/2001 Shih  
 6,269,716 B1 8/2001 Amis  
 6,327,939 B1 12/2001 Macor  
 6,343,531 B2 2/2002 Amis  
 6,354,175 B1 3/2002 Dobson et al.  
 6,382,053 B1 5/2002 Macor  
 6,397,706 B1 6/2002 Maznicki  
 6,477,923 B2 11/2002 Amis  
 6,546,778 B2 4/2003 Jordan  
 6,598,498 B1 7/2003 Pigford et al.  
 6,626,067 B1 9/2003 Iwinski et al.  
 6,877,402 B1 4/2005 Pigford et al.  
 6,962,100 B2 11/2005 Hsien  
 7,007,573 B2 3/2006 Kozak et al.  
 7,044,027 B2 5/2006 Richter  
 7,185,563 B2 3/2007 Kozak et al.  
 7,228,764 B1 6/2007 Macor  
 7,293,483 B1 11/2007 Hutchings et al.  
 7,311,022 B2 12/2007 Putney et al.  
 D570,169 S 6/2008 Lin  
 7,484,440 B2 2/2009 Wright  
 7,523,688 B2 4/2009 Putney et al.  
 7,926,393 B2 4/2011 Hart  
 8,505,417 B2 8/2013 Hui et al.  
 8,544,367 B2 10/2013 Buchanan  
 8,607,670 B2 12/2013 Stawarski  
 8,752,455 B1 6/2014 Taylor, Jr.  
 9,168,643 B2 10/2015 Hsu et al.  
 9,186,782 B2 11/2015 Banks  
 9,272,395 B2 3/2016 Hui  
 9,381,624 B1 7/2016 Patterson  
 9,452,516 B2 9/2016 Alavi  
 9,687,968 B2 6/2017 Doroslovac et al.  
 9,718,170 B2 8/2017 Eggert et al.  
 D887,233 S \* 6/2020 Kukucka ..... D8/29  
 D937,060 S \* 11/2021 Peng ..... D8/29  
 11,590,637 B2 \* 2/2023 Kukucka ..... B25B 23/108  
 2001/0035075 A1 11/2001 Amis  
 2002/0017170 A1 2/2002 Amis  
 2002/0100346 A1 8/2002 Binns  
 2005/0039581 A1 2/2005 Eggert et al.  
 2005/0252346 A1 11/2005 Kozak et al.  
 2005/0279192 A1 12/2005 Richter  
 2006/0032343 A1 2/2006 Putney et al.  
 2006/0101950 A1 5/2006 Kozak et al.  
 2006/0117912 A1 6/2006 McCalley et al.  
 2007/0125204 A1 6/2007 Lin  
 2007/0137441 A1 6/2007 Wright  
 2007/0144311 A1 6/2007 Hsieh  
 2007/0151425 A1 7/2007 Macor  
 2007/0289426 A1 12/2007 Chaconas  
 2008/0006126 A1 1/2008 Hsieh  
 2008/0245195 A1 10/2008 Lee  
 2010/0005932 A1 1/2010 Young et al.  
 2010/0005933 A1 1/2010 Cline  
 2010/0058897 A1 3/2010 Alsobrook  
 2010/0064859 A1 3/2010 Stephens  
 2010/0154602 A1 6/2010 Piper et al.  
 2010/0275739 A1 11/2010 Hart  
 2011/0048175 A1 3/2011 LeVert  
 2011/0056337 A1 3/2011 Buchanan  
 2012/0137837 A1 6/2012 Souma  
 2013/0032009 A1 2/2013 Hui et al.  
 2013/0263701 A1 10/2013 Hsu et al.  
 2014/0013904 A1 1/2014 Meholovitch  
 2014/0182421 A1 7/2014 Chang  
 2014/0196578 A1 7/2014 Milligan et al.  
 2015/0135910 A1 5/2015 Eggert et al.

2017/0036324 A1 2/2017 Taylor, Jr.  
 2017/0266786 A1 9/2017 Rydberg  
 2017/0291284 A1 10/2017 Eggert et al.  
 2018/0021927 A1 1/2018 Lin  
 2019/0186525 A1 \* 6/2019 Dilling ..... B21K 1/56  
 2021/0146506 A1 \* 5/2021 Kukucka ..... B25B 13/04  
 2022/0362910 A1 \* 11/2022 Kukucka ..... B25B 13/065

## FOREIGN PATENT DOCUMENTS

CA 2057104 A1 6/1993  
 CA 2172570 A1 9/1997  
 CA 2311816 A1 6/1999  
 CA 2258440 A1 7/1999  
 CA 2261087 A1 8/1999  
 CA 2281005 A1 2/2001  
 CA 2172570 C 8/2004  
 CA 2476474 A1 11/2005  
 CA 2252171 C 5/2007  
 CA 2258440 C 7/2008  
 CA 2697755 A1 9/2011  
 CA 2476474 C 2/2013  
 CA 2864338 A1 5/2015  
 CN 2291994 Y 9/1998  
 CN 103072106 A 5/2013  
 CN 209774481 U 12/2019  
 DE 202005007853 U1 8/2005  
 EP 458771 A1 11/1991  
 EP 976502 B1 7/2002  
 EP 1256418 A2 11/2002  
 EP 1595652 A2 11/2005  
 EP 930132 B1 4/2007  
 EP 2243597 A1 10/2010  
 EP 1371453 B1 2/2012  
 EP 2418049 A2 2/2012  
 EP 3263278 A1 1/2018  
 GB 893536 A 4/1962  
 GB 906839 A 9/1962  
 GB 9011788 7/1990  
 GB 2260587 B 3/1995  
 GB 0021821 10/2000  
 GB 2366532 A 3/2002  
 GB 2520435 A 5/2015  
 GB 2501181 B 4/2018  
 GB 2558701 A 7/2018  
 GB 2520435 B 8/2018  
 JP 2564473 B2 12/1996  
 JP 2001347463 A 12/2001  
 JP 2005177867 A 7/2005  
 JP 3124111 U 8/2006  
 JP 3135906 U 10/2007  
 JP 2012115948 A 6/2012  
 JP 4973895 B2 7/2012  
 JP 2013094932 A 5/2013  
 JP 3200007 U 10/2015  
 TW 200621436 A 7/2006  
 WO 9927261 A3 7/1999  
 WO 2004018123 A1 3/2004  
 WO 2004105529 A2 12/2004  
 WO 2005082641 A1 9/2005  
 WO 2006023374 A1 3/2006  
 WO 2009115016 A1 9/2009  
 WO 2010107676 A9 11/2010  
 WO 2011116474 A1 9/2011  
 WO 2017041998 A1 3/2017

## OTHER PUBLICATIONS

Partial European Search Report dated Nov. 11, 2019 for European Application No. 18211218.5.  
 Chinese Office Action issued in Chinese Application No. 201811523244.2 dated Apr. 26, 2020.  
 Chinese Office Action issued in Chinese Application No. 201811523244.2 dated Nov. 9, 2020.  
 Communication pursuant to Article 94(3) EPC in European Application No. 18211218.5 dated Apr. 9, 2021.

(56)

**References Cited**

OTHER PUBLICATIONS

Chinese Office Action issued in Chinese Application No.  
201811523244.2 dated Apr. 25, 2021.

\* cited by examiner

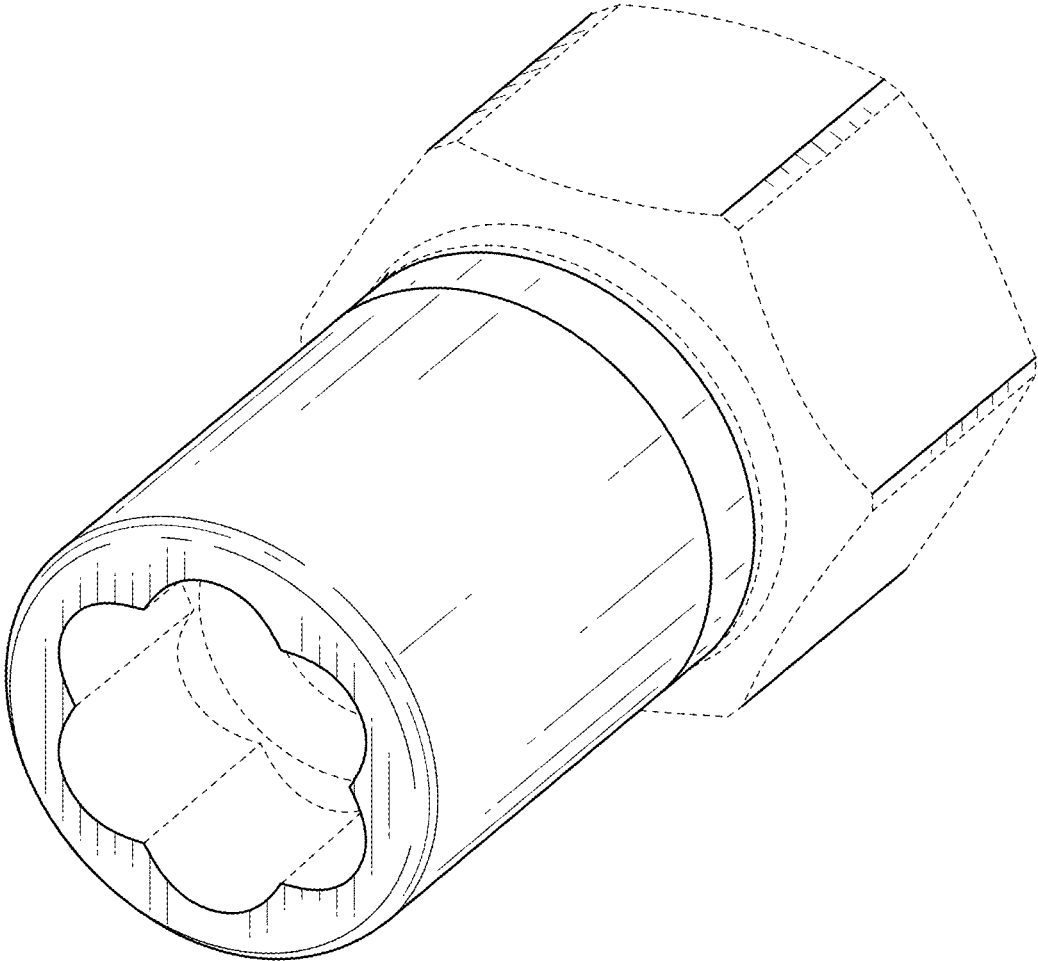


FIG. 1

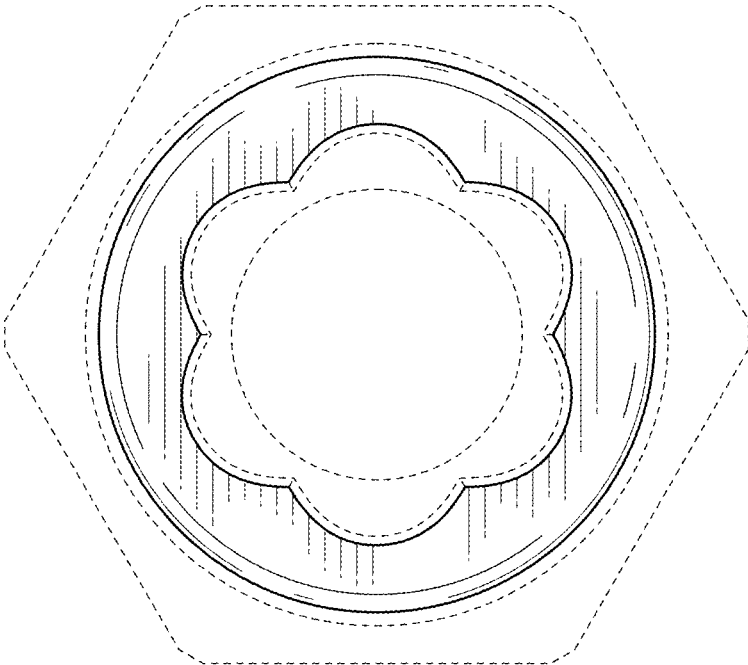


FIG. 2

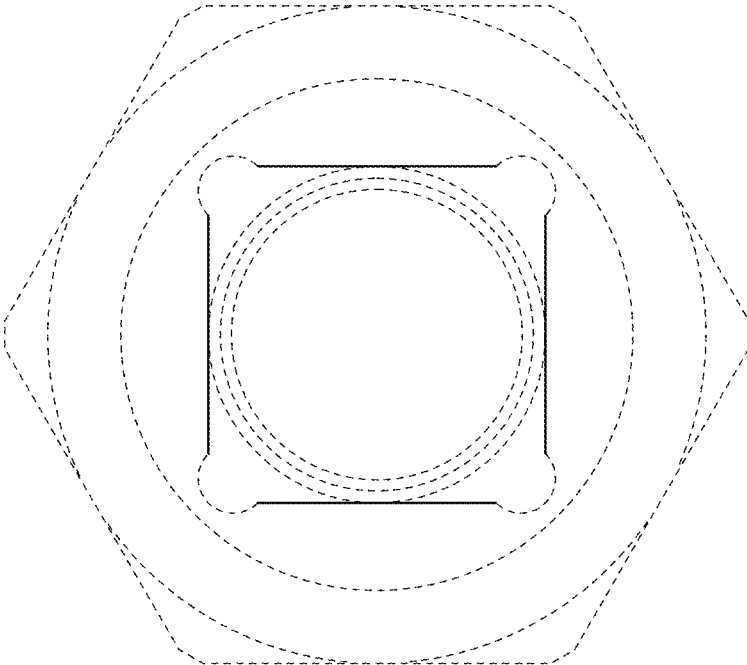


FIG. 3

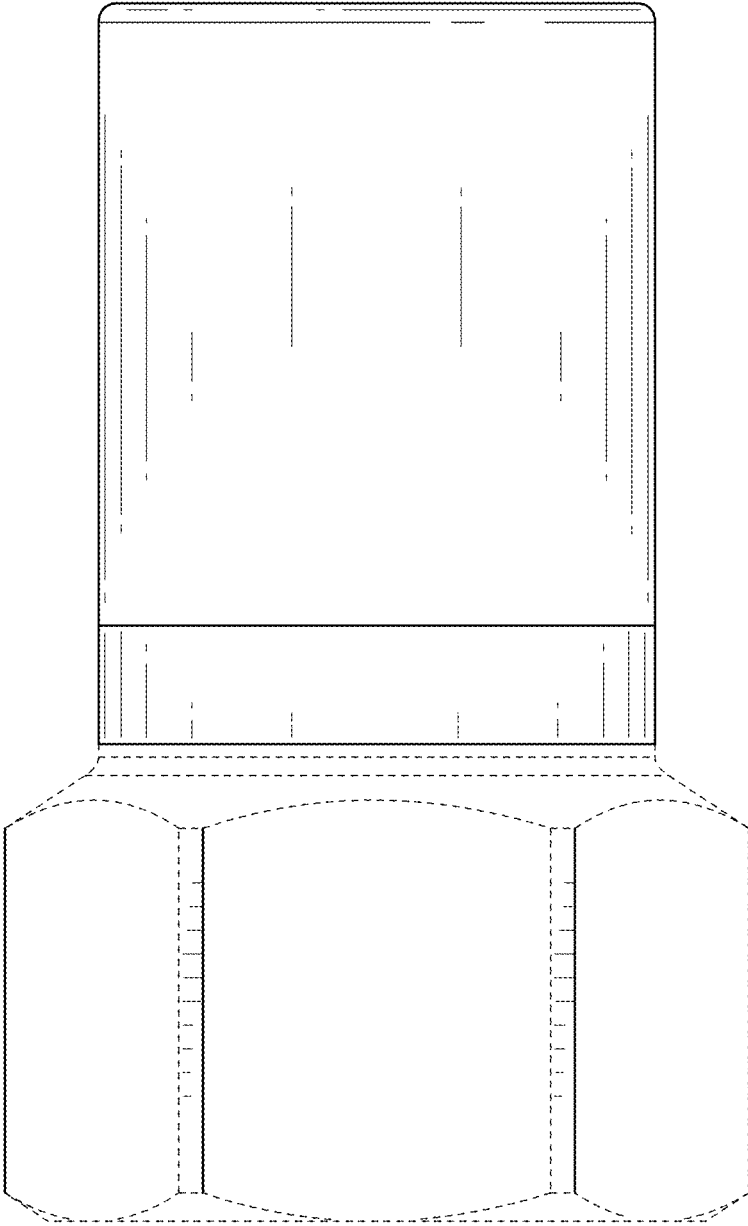


FIG. 4