



US00D784449S

(12) **United States Design Patent**  
**Hebner**

(10) **Patent No.:** **US D784,449 S**  
(45) **Date of Patent:** **\*\* Apr. 18, 2017**

- (54) **VISUAL AID THAT DEMONSTRATES A RANDOM WALK AND GENERATES A BELL CURVE DISTRIBUTION**
- (71) Applicant: **Four Pines Publishing, Inc**, Irvine, CA (US)
- (72) Inventor: **Mark Hebner**, Irvine, CA (US)
- (\*\*) Term: **15 Years**
- (21) Appl. No.: **29/541,718**

D267,961 S *	2/1983	Bjon .....	D21/373
4,403,775 A *	9/1983	Chaput .....	G07C 15/003 273/144 B
D275,972 S *	10/1984	Bahier .....	D21/371
D284,292 S *	6/1986	Smirne .....	D21/371
D298,556 S *	11/1988	Gigliotti .....	D21/371
4,822,048 A *	4/1989	Axup .....	G07C 15/001 273/144 B
D301,487 S *	6/1989	Audet .....	D19/131
D306,747 S *	3/1990	Gigliotti .....	D21/371
4,930,779 A *	6/1990	Maddox .....	G07C 15/003 273/144 B
4,936,576 A *	6/1990	Farraj .....	A63F 7/045 273/457

(Continued)

- (22) Filed: **Oct. 7, 2015**
- (51) **LOC (10) Cl.** ..... **19-07**
- (52) **U.S. Cl.**  
USPC ..... **D19/62**
- (58) **Field of Classification Search**  
USPC ..... D19/59-64, 131; 434/188, 365, 367,  
434/370, 429; D10/44; D21/369, 371,  
D21/373; 273/144 B, 457, 144 R, 139,  
273/138.1, 142 D, 144 A, 269; 414/675;  
99/5; D6/351; 141/331-332; 209/44,  
209/702  
CPC ..... G09B 23/02; G09B 19/025; G09B 23/20;  
A63F 9/0406; A63F 7/044; A63F 7/048;  
A63F 7/045; A63F 7/02; A63F 3/00094;  
G07C 15/001; G07C 15/003; B03B 7/00;  
B07C 7/04; B67C 11/02  
See application file for complete search history.

*Primary Examiner* — Ian Simmons  
*Assistant Examiner* — Mark Cavanna  
 (74) *Attorney, Agent, or Firm* — James M. Duncan, Esq.;  
 Klein DeNatale Goldner

(57) **CLAIM**

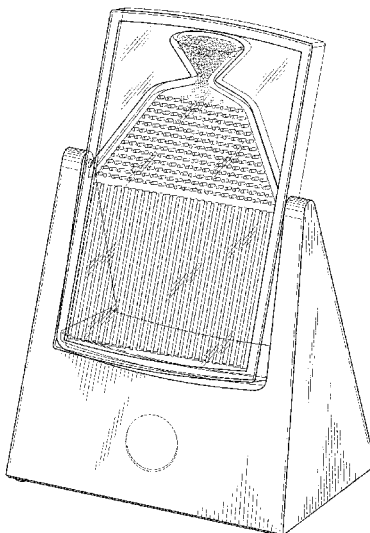
The ornamental design for a visual aid that demonstrates a random walk and generates a bell curve distribution, as shown and described.

**DESCRIPTION**

FIG. 1 is a perspective view of a visual aid that demonstrates a random walk and generates a bell curve distribution;  
 FIG. 2 is a front view thereof;  
 FIG. 3 is a rear view thereof;  
 FIG. 4 is a left side view thereof, the right side view being a mirror image thereof;  
 FIG. 5 is a top view thereof; and,  
 FIG. 6 is a bottom view thereof.  
 The broken lines are included for the purpose of illustrating unclaimed portions of the visual aid that demonstrates a random walk and generates a bell curve distribution and form no part of the claimed design.

- (56) **References Cited**  
U.S. PATENT DOCUMENTS  
2,037,064 A \* 4/1936 Burdick ..... A63F 9/0406  
273/144 B  
2,103,151 A \* 12/1937 Dietrich ..... A63F 7/044  
273/113  
2,838,851 A \* 6/1958 Lusser ..... G09B 23/02  
434/188  
3,717,941 A \* 2/1973 Tomerlin ..... G09B 19/025  
434/188

**1 Claim, 5 Drawing Sheets**



(56)

**References Cited**

## U.S. PATENT DOCUMENTS

5,011,148 A \* 4/1991 Stebing ..... A63F 7/02  
273/144 R  
D317,471 S \* 6/1991 Rizzo ..... D21/371  
D321,669 S \* 11/1991 Hoehne ..... D10/44  
5,117,982 A \* 6/1992 Shothafer ..... B07C 7/02  
414/675  
D331,777 S \* 12/1992 Sedlmeier ..... D19/131  
5,265,877 A \* 11/1993 Boylan ..... A63F 3/00157  
273/139  
5,328,172 A \* 7/1994 Jagiella ..... A63F 7/048  
273/144 B  
D375,764 S \* 11/1996 Hollinger ..... D21/371  
D377,806 S \* 2/1997 Samucha ..... D19/131  
D379,472 S \* 5/1997 Smith ..... D19/131  
D411,253 S \* 6/1999 Wong ..... D21/371  
D419,202 S \* 1/2000 Johns ..... D21/371  
D445,140 S \* 7/2001 Odenwalt ..... D21/373  
6,655,687 B2 \* 12/2003 Sanchez-Seco ..... A63F 3/00094  
273/144 R  
D531,672 S \* 11/2006 Hannon ..... D19/62  
D633,685 S \* 3/2011 Caffee ..... D99/5  
D670,094 S \* 11/2012 Prestandrea ..... D6/351  
D694,832 S \* 12/2013 Garcia ..... D21/371  
D757,571 S \* 5/2016 Newson ..... D10/44  
2015/0302775 A1 \* 10/2015 Matsushima ..... G09B 23/20  
434/281

\* cited by examiner

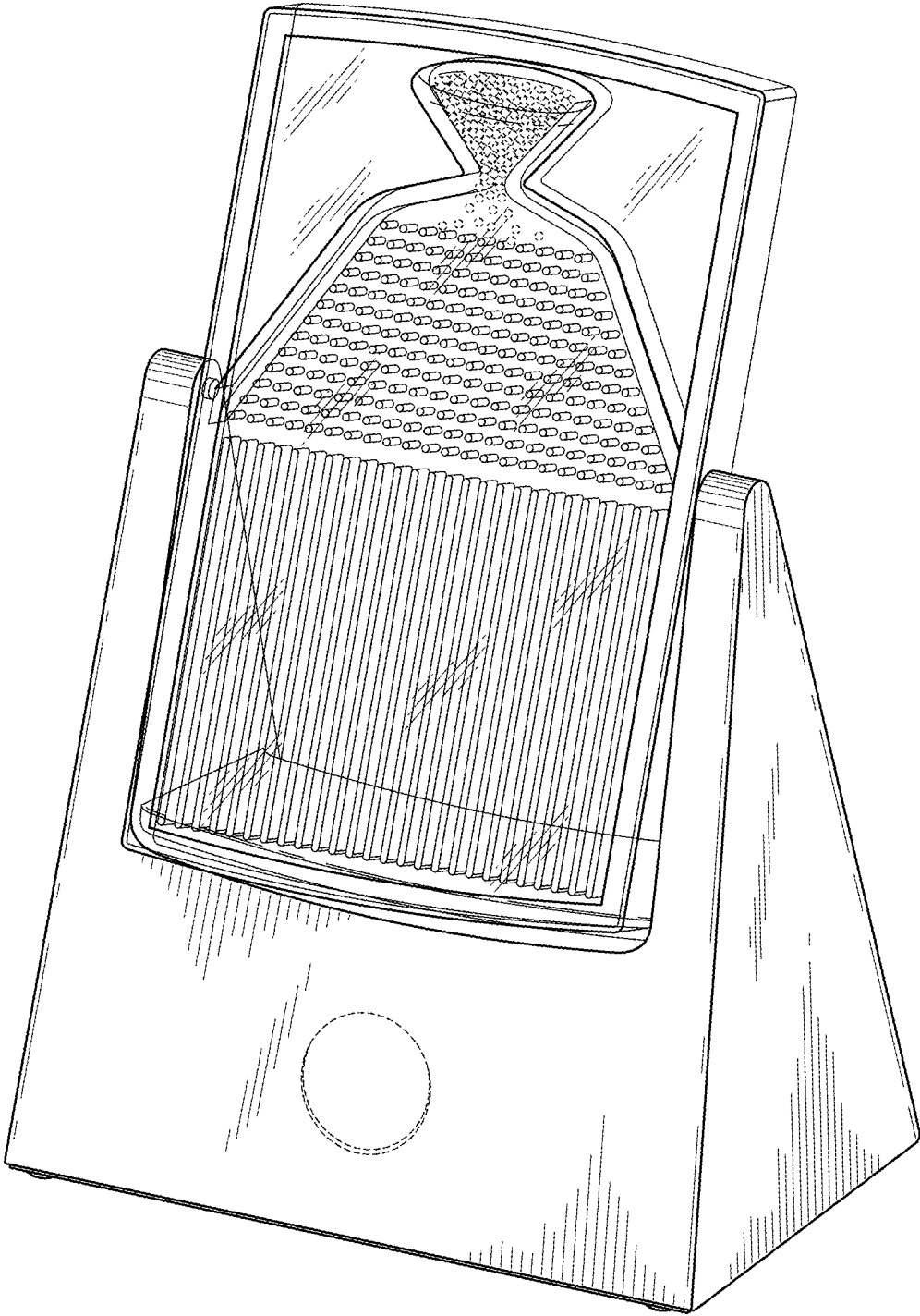


FIG. 1

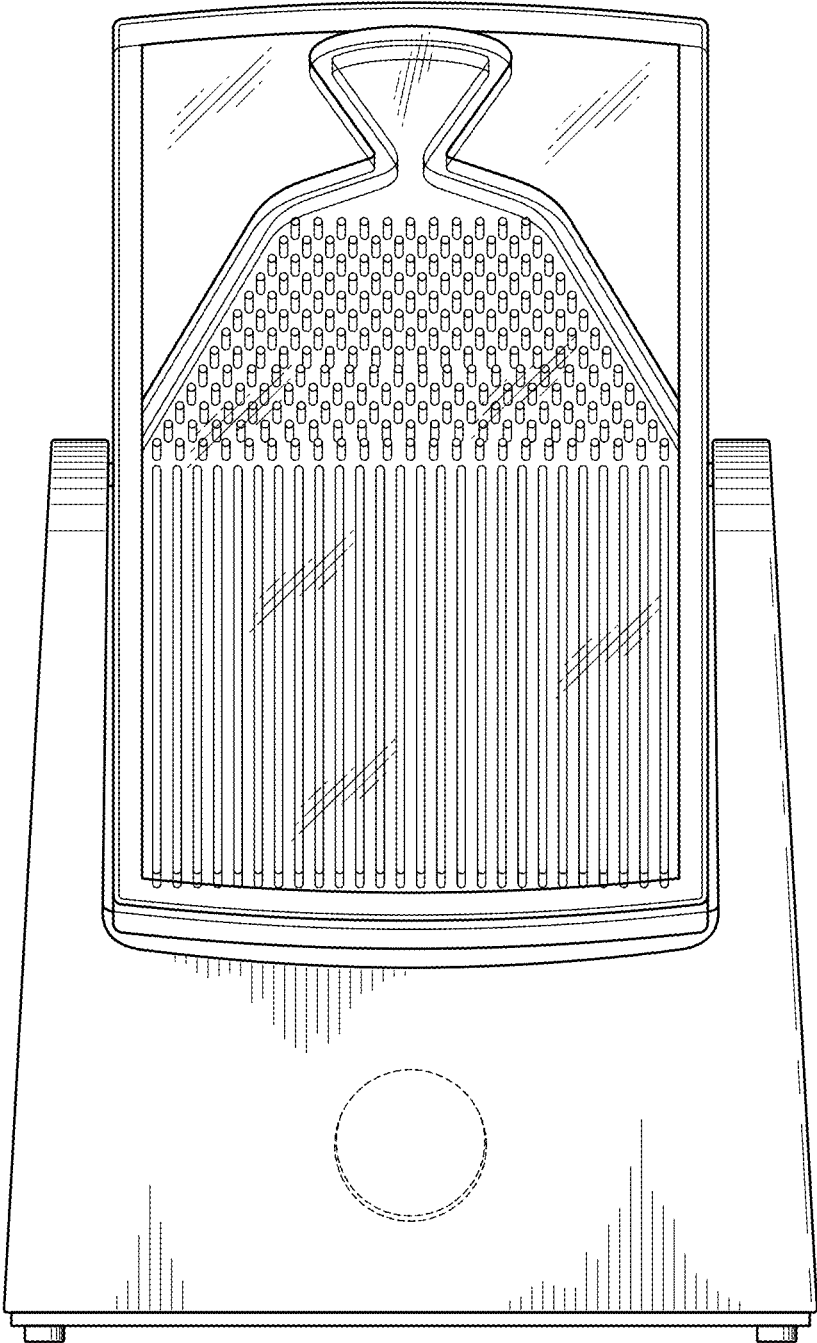


FIG. 2

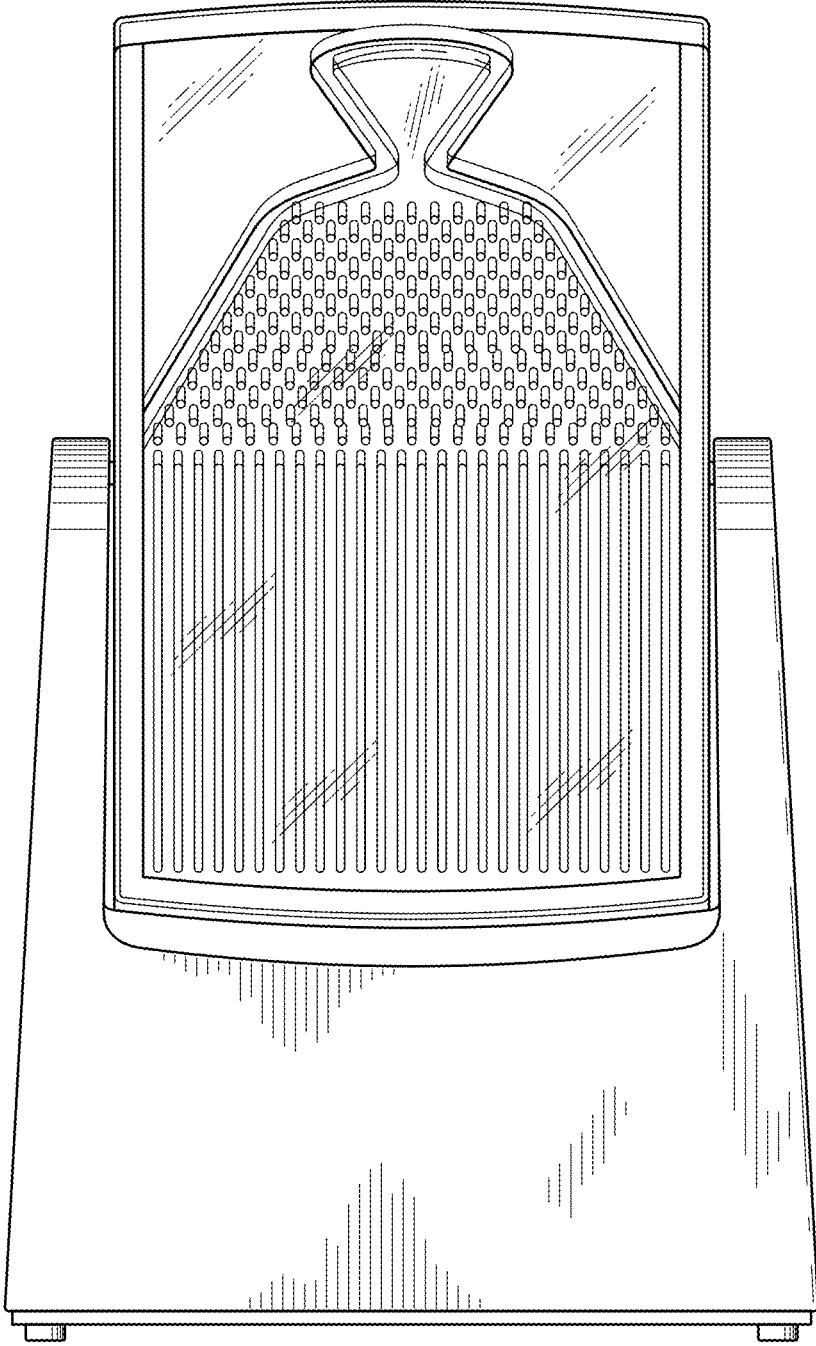


FIG. 3

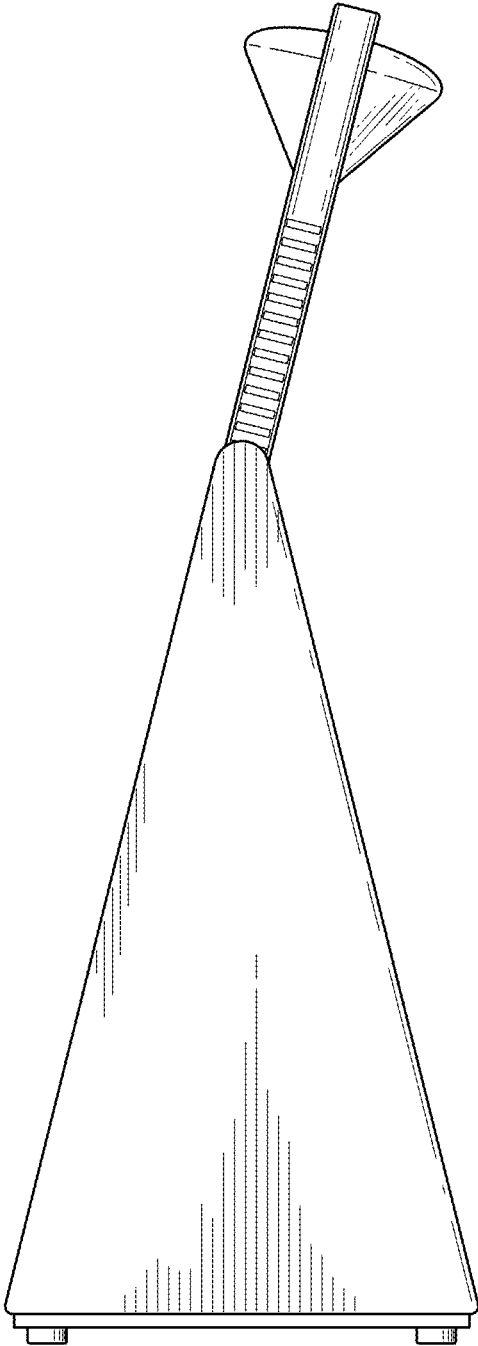


FIG. 4

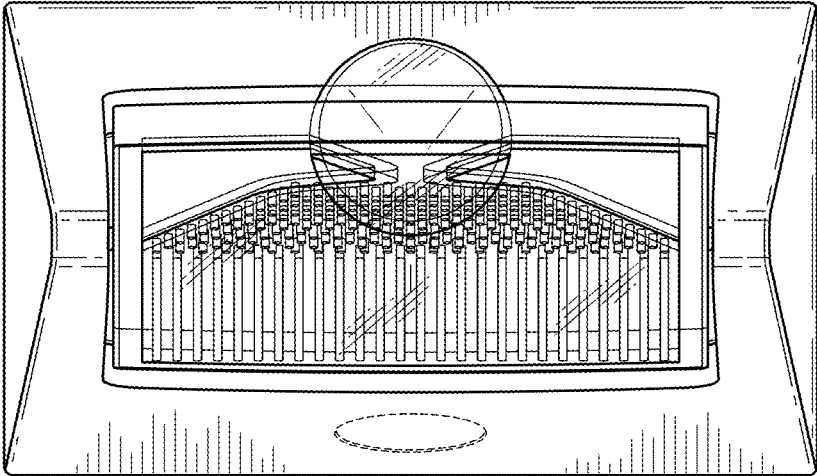


FIG. 5

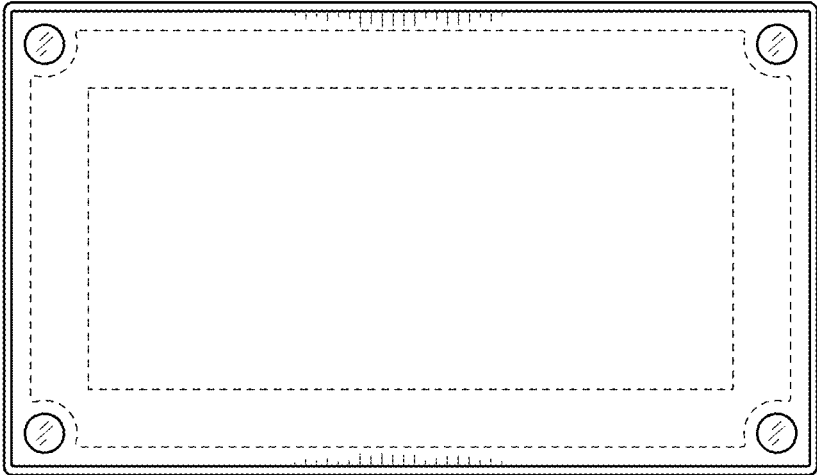


FIG. 6