



US00D859469S

(12) **United States Design Patent** (10) **Patent No.:** **US D859,469 S**
Zin et al. (45) **Date of Patent:** **** *Sep. 10, 2019**

(54) **COWLING FOR AN OUTBOARD MOTOR**
(71) Applicant: **Brunswick Corporation**, Lake Forest, IL (US)
(72) Inventors: **Piotr Zin**, Seattle, WA (US); **Todd D. Dannenberg**, Fond du Lac, WI (US); **John I. S. Park**, Fond du Lac, WI (US)

D474,480 S 5/2003 Zebley et al.
D474,784 S 5/2003 Sanschagrín
D478,597 S 8/2003 Zebley
D485,848 S 1/2004 Sanschagrín
D489,380 S 5/2004 Ohsumi et al.
D495,716 S 9/2004 Sanschagrín
D498,764 S * 11/2004 Sanschagrín D15/4
6,875,066 B2 4/2005 Wolaver
7,001,231 B1 * 2/2006 Halley B63H 20/245
440/88 G
D528,563 S * 9/2006 Sanschagrín D15/4
D549,240 S 8/2007 Okamoto
D589,981 S * 4/2009 Iekura D15/4
D611,062 S 3/2010 Okamoto
D611,063 S * 3/2010 Okamoto D15/4
7,736,207 B2 6/2010 Vignau
D623,661 S * 9/2010 Yamagishi D15/4
D635,586 S 4/2011 Okamoto
D643,440 S 8/2011 Dannenberg et al.
D663,321 S 7/2012 Okamoto

(73) Assignee: **Brunswick Corporation**, Mettawa, IL (US)
(*) Notice: This patent is subject to a terminal disclaimer.
(**) Term: **15 Years**
(21) Appl. No.: **29/617,457**

(Continued)
Primary Examiner — T Chase Nelson
Assistant Examiner — Ania Aman
(74) *Attorney, Agent, or Firm* — Andrus Intellectual Property Law, LLP

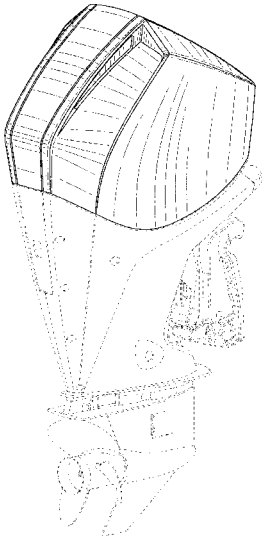
(22) Filed: **Sep. 14, 2017**
(51) **LOC (12) Cl.** **15-01**
(52) **U.S. Cl.**
USPC **D15/4**
(58) **Field of Classification Search**
USPC D15/4, 5
CPC .. B63H 20/32; B63H 2020/323; B63H 23/30;
B63H 23/08; B63H 23/22; B63H 5/14;
B63H 5/15; B63H 21/165; B63H 21/17;
B63H 21/38; B63H 5/125; B63B 35/68
See application file for complete search history.

(57) **CLAIM**
The ornamental design for a cowling for an outboard motor, as shown and described.

(56) **References Cited**
U.S. PATENT DOCUMENTS
D412,911 S * 8/1999 Iekura D15/4
D421,444 S 3/2000 Hatch et al.
D458,273 S 6/2002 Burmeister
D460,972 S 7/2002 Osumi
D463,447 S 9/2002 Osumi et al.
D463,448 S 9/2002 Osumi
D463,449 S 9/2002 Osumi
D463,800 S 10/2002 Osumi

DESCRIPTION
FIG. 1 is a perspective view of a cowling for an outboard motor showing our new design.
FIG. 2 is a side view thereof.
FIG. 3 is an opposite side view thereof.
FIG. 4 is a front view thereof.
FIG. 5 is a rear view thereof.
FIG. 6 is a top view thereof; and,
FIG. 7 is a bottom view thereof.
The broken lines in the drawings illustrate portions of the cowling that are not part of the claimed design.

1 Claim, 7 Drawing Sheets



(56)

References Cited

U.S. PATENT DOCUMENTS

D712,931	S	9/2014	Matsumoto	
D714,345	S *	9/2014	Petit	D15/4
D727,969	S *	4/2015	Okamoto	D15/4
9,073,616	B1 *	7/2015	Wiegele	B63H 20/32
D740,858	S	10/2015	Dannenberg et al.	
9,216,805	B1	12/2015	Amerling	
D757,126	S	5/2016	Vaninetti et al.	
9,376,194	B1 *	6/2016	Jensen	B63H 20/245
9,481,438	B1	11/2016	Tuschscherer	
9,840,316	B1 *	12/2017	Jaszewski	B63H 20/20
D809,017	S *	1/2018	Noda	D15/4
9,926,064	B1 *	3/2018	Tuschscherer	B63H 21/36
D832,472	S	10/2018	Davis	
D834,618	S *	11/2018	Zin	D15/4
D835,675	S	12/2018	Nakaura	
D842,504	S	3/2019	Davis	
2003/0194927	A1 *	10/2003	Sanschagrín	B63H 20/32 440/77
2003/0232548	A1 *	12/2003	Alby	F02B 61/045 440/77
2006/0172631	A1	8/2006	Kameoka	
2010/0147257	A1	6/2010	Yazaki	
2014/0057508	A1	2/2014	Litjens	

* cited by examiner

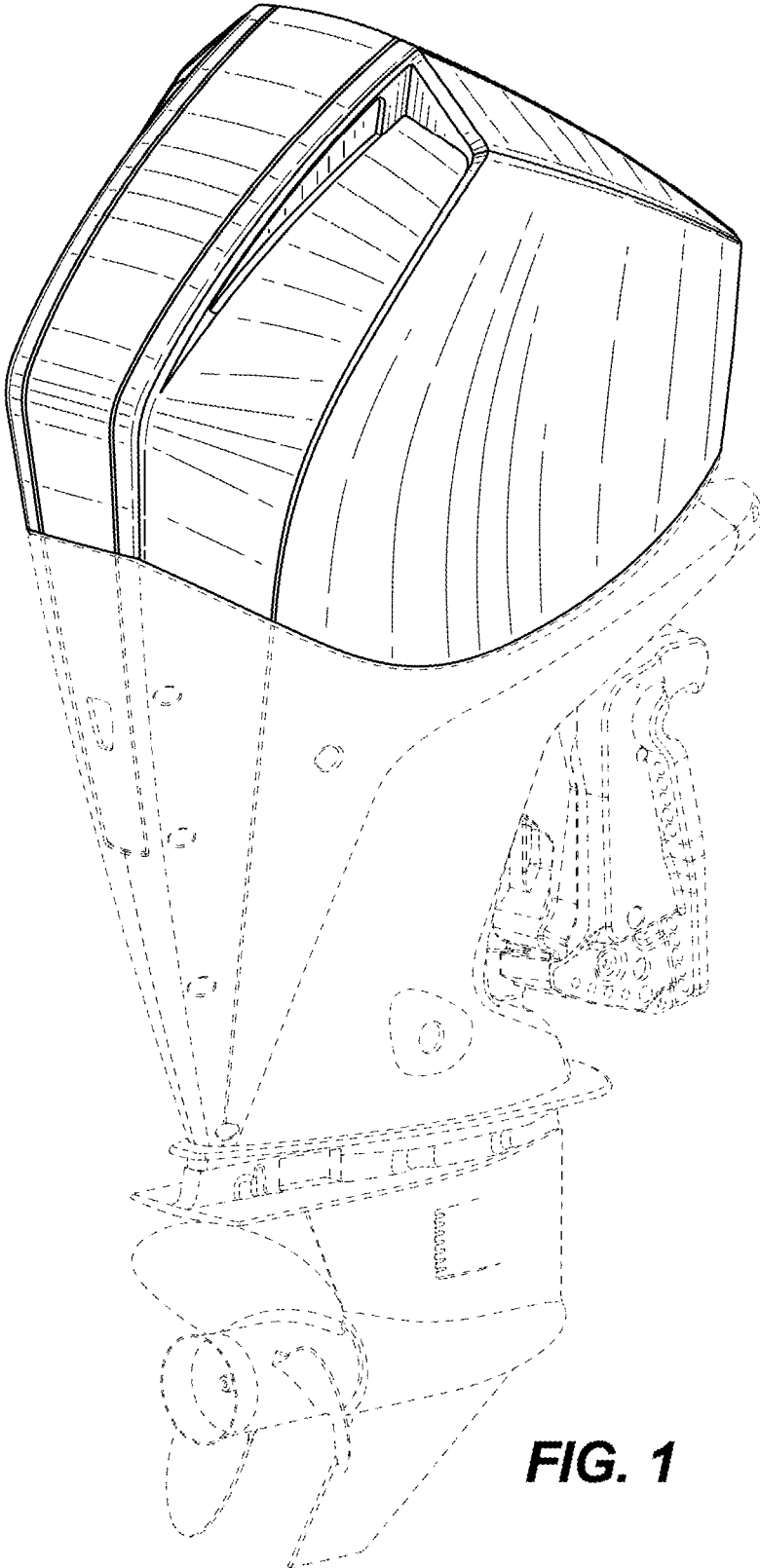


FIG. 1

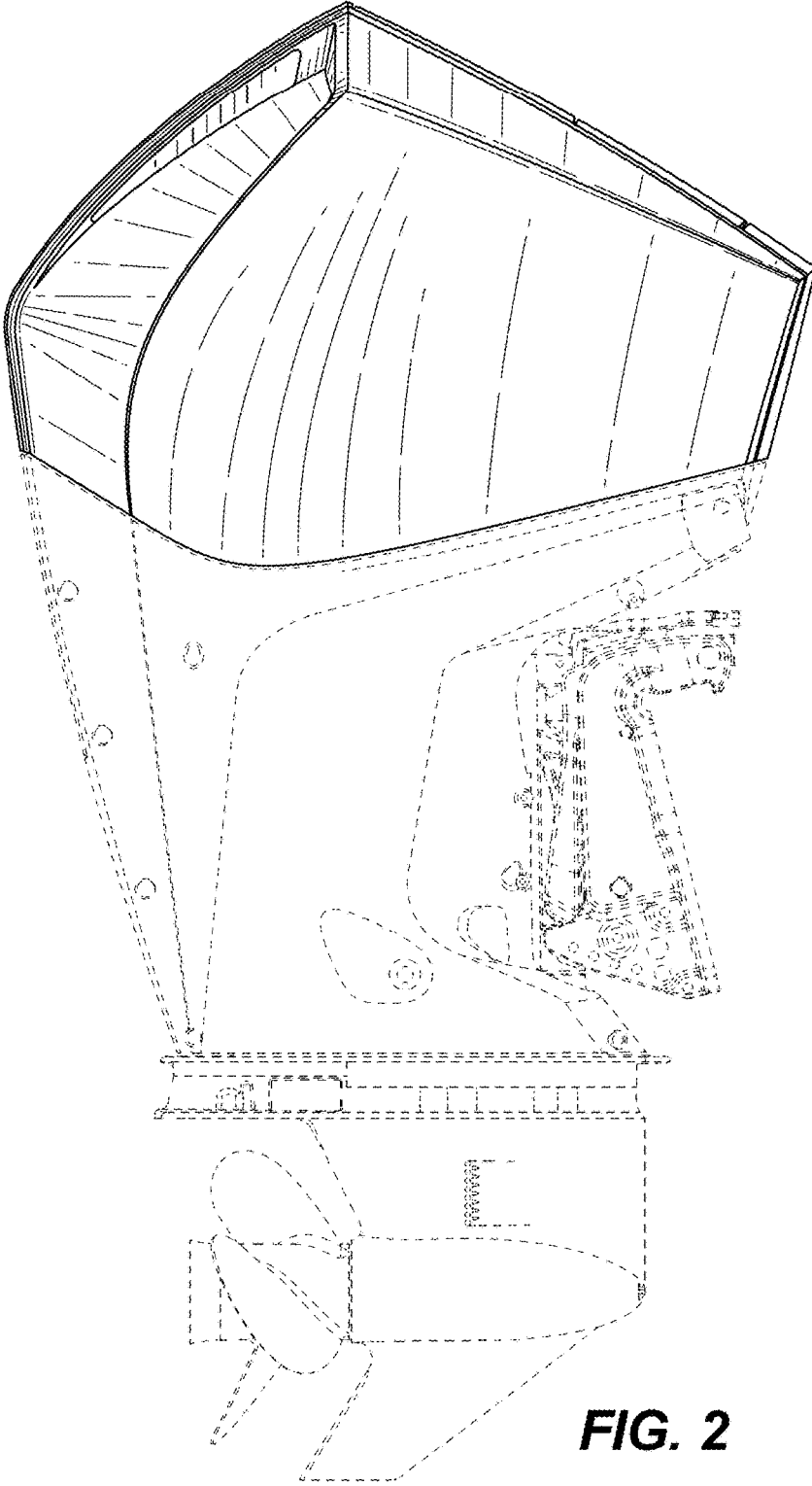


FIG. 2

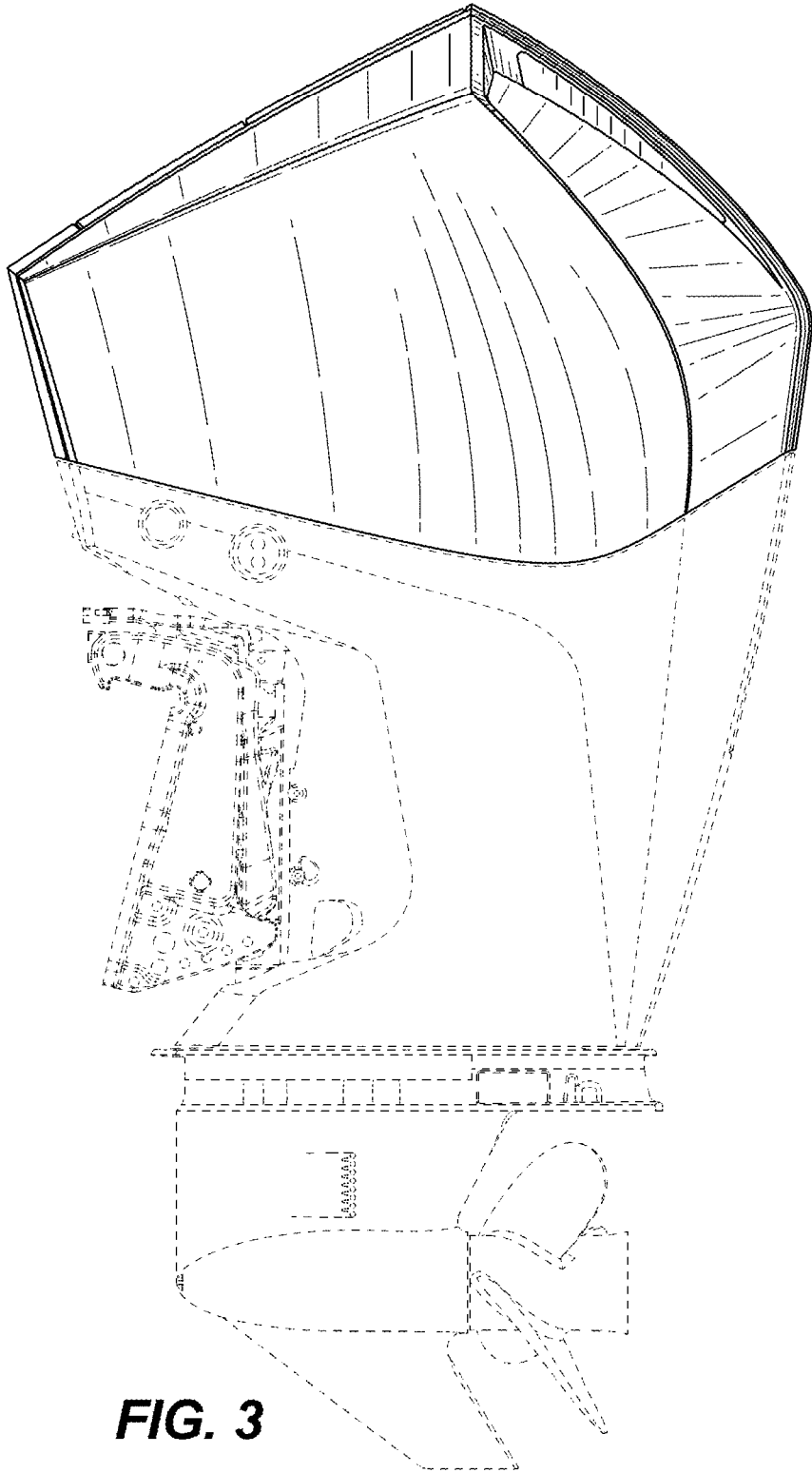


FIG. 3

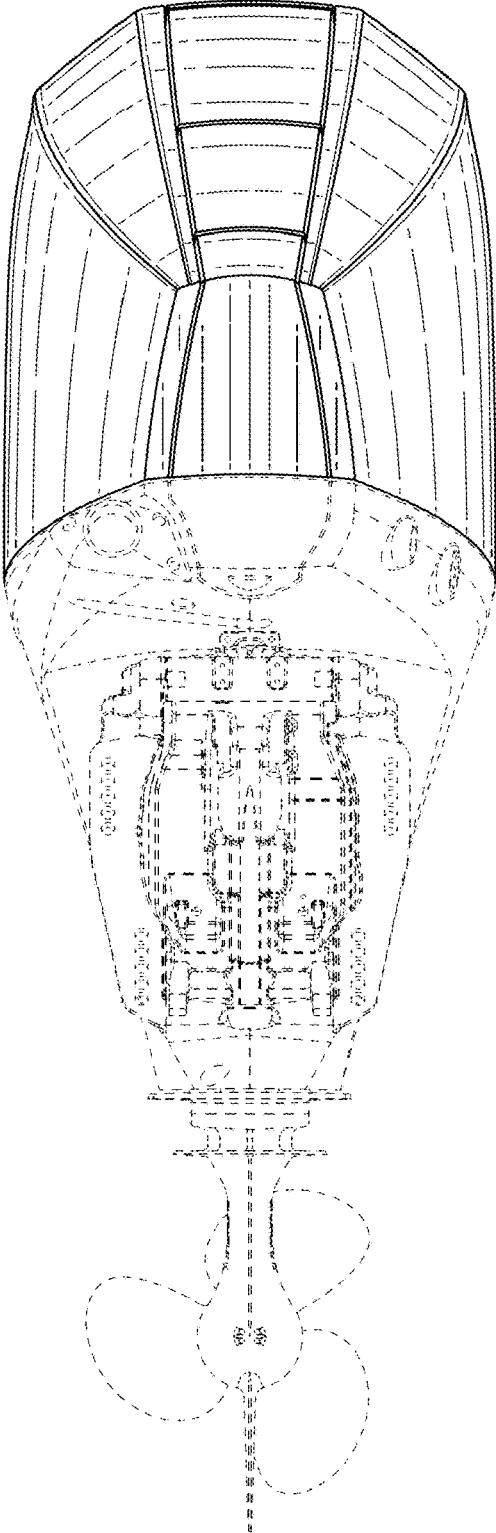


FIG. 4

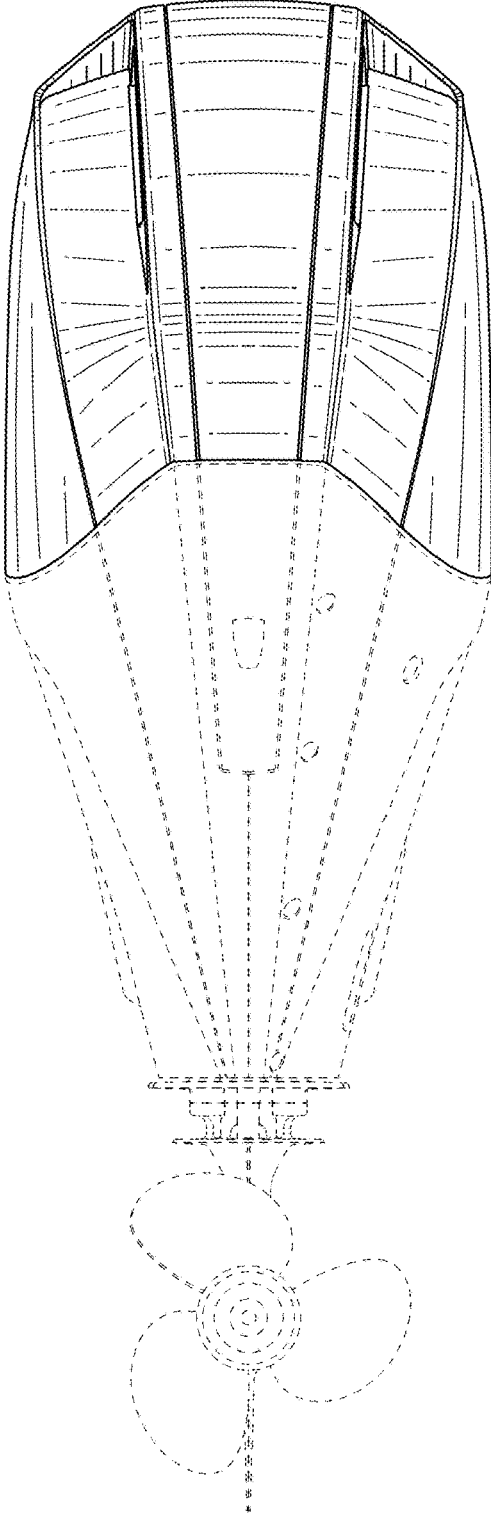


FIG. 5

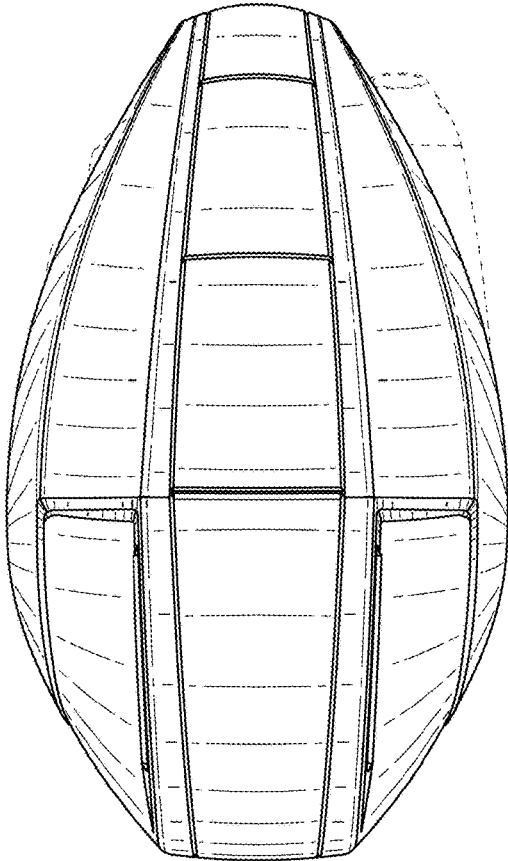


FIG. 6

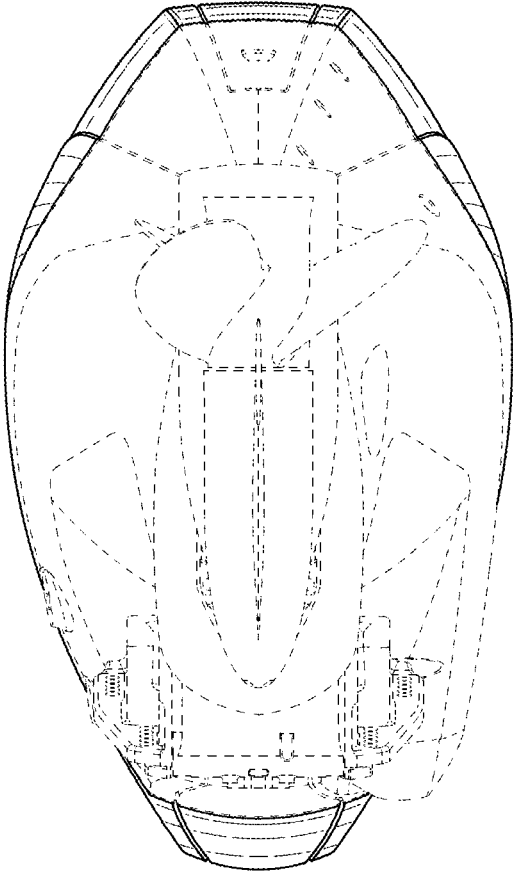


FIG. 7