



US00D720556S

(12) **United States Design Patent**
Mayer et al.

(10) **Patent No.:** **US D720,556 S**

(45) **Date of Patent:** **** Jan. 6, 2015**

(54) **CABINET**

(71) Applicant: **Deco Lav, Inc.**, Boca Raton, FL (US)

(72) Inventors: **Robert Mayer**, Boca Raton, FL (US);
Kristina Gros, Boca Raton, FL (US);
Matt Muenster, Boca Raton, FL (US)

(73) Assignee: **Deco Lav, Inc.**, Boca Raton, FL (US)

(**) Term: **14 Years**

(21) Appl. No.: **29/473,880**

(22) Filed: **Nov. 26, 2013**

(51) **LOC (10) Cl.** **06-04**

(52) **U.S. Cl.**
USPC **D6/657**

(58) **Field of Classification Search**
USPC D6/657, 662, 663, 664, 664.1, 667, 669,
D6/671, 671.1; 312/107, 138.1, 204, 224,
312/237, 257.1

See application file for complete search history.

(56) **References Cited**

U.S. PATENT DOCUMENTS

D88,179 S *	11/1932	Van De Riet	D6/669
D91,111 S *	11/1933	Giuld	D6/667
D123,604 S *	11/1940	Siebenthaler	D6/662
D604,960 S *	12/2009	Garbin	D6/667

* cited by examiner

Primary Examiner — Mimosa De

(74) *Attorney, Agent, or Firm* — Mark Terry

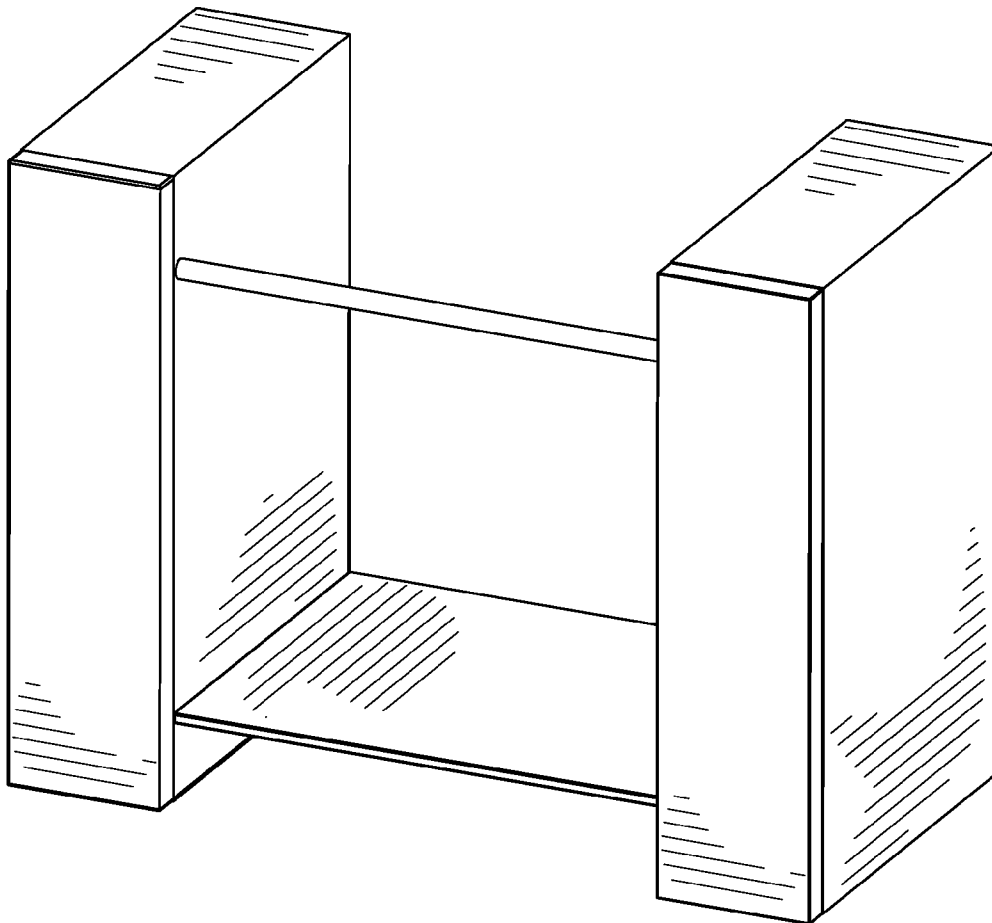
(57) **CLAIM**

The ornamental design for a cabinet, as shown and described.

DESCRIPTION

FIG. 1 is a front perspective view of a cabinet, showing the new design;
FIG. 2 is a rear perspective view thereof;
FIG. 3 is a left side view thereof;
FIG. 4 is a right side view thereof;
FIG. 5 is a front view thereof;
FIG. 6 is a bottom view thereof;
FIG. 7 is a front view thereof; and,
FIG. 8 is a top view thereof.

1 Claim, 4 Drawing Sheets



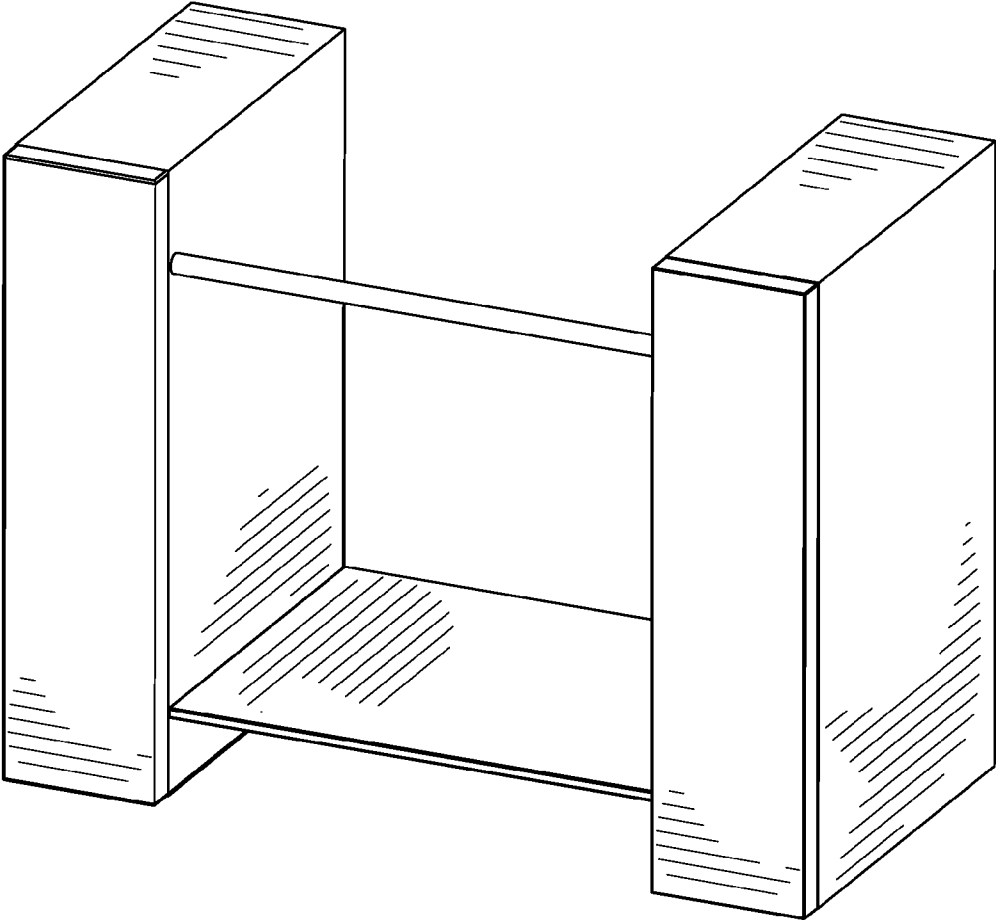


Fig. 1

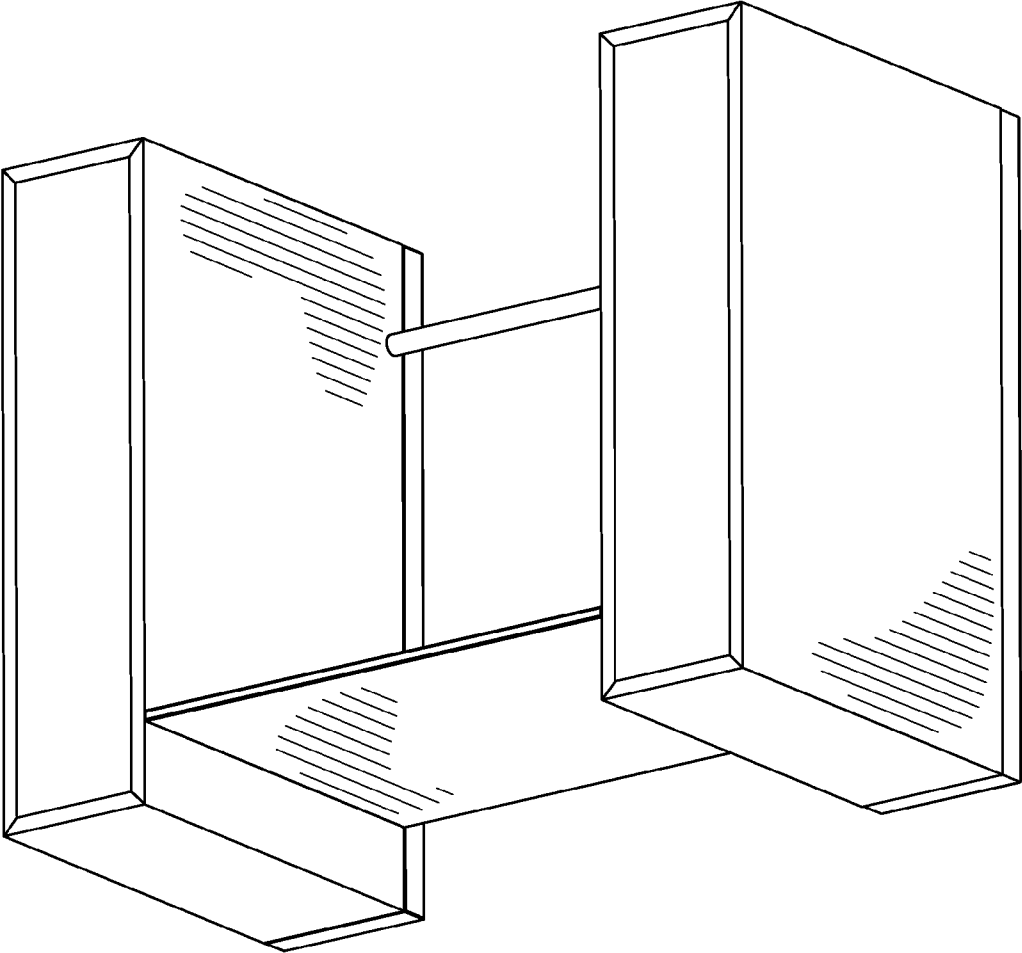


Fig. 2

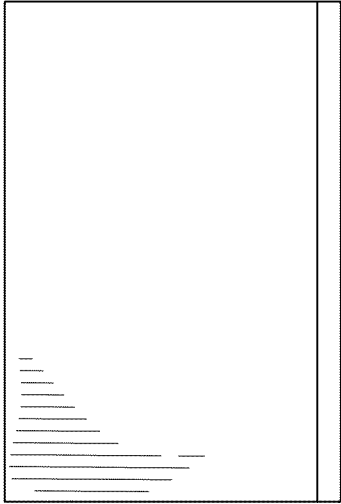


Fig. 3

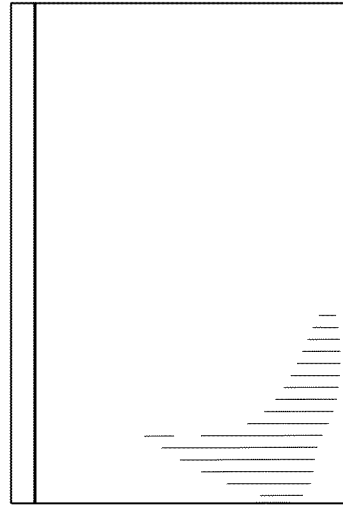


Fig. 4

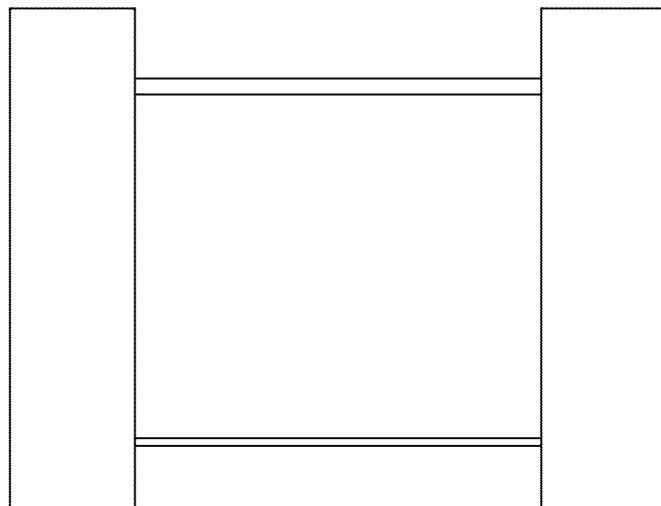


Fig. 5

Fig. 6

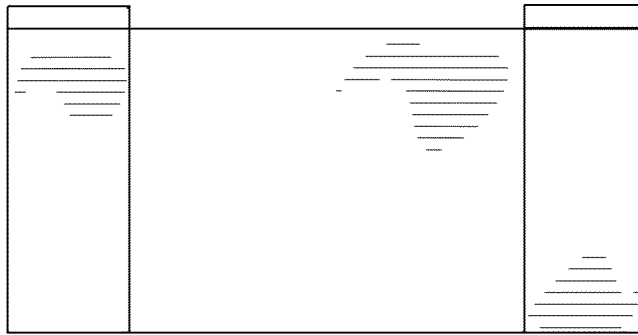


Fig. 7

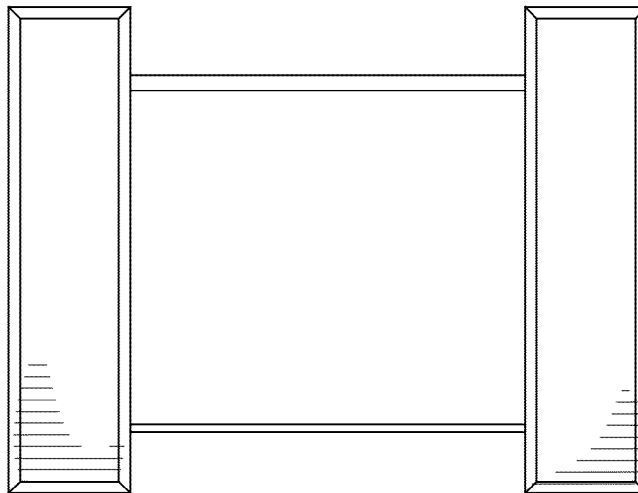


Fig. 8

