



US00D469776S

(12) **United States Design Patent**
Laity et al.

(10) **Patent No.:** **US D469,776 S**

(45) **Date of Patent:** **** Feb. 4, 2003**

- (54) **COMMUNICATIONS MODULE**
- (75) Inventors: **Ian A. Laity**, Simi Valley, CA (US);
Michael R. Smither, Castaic, CA (US)
- (73) Assignee: **Intel Corporation**, Santa Clara, CA (US)
- (**) Term: **14 Years**
- (21) Appl. No.: **29/128,484**
- (22) Filed: **Aug. 25, 2000**

- D370,904 S * 6/1996 Nakata et al. D14/436
- D415,479 S * 10/1999 Yang et al. D14/435
- D432,540 S * 10/2000 Laity et al. D14/436
- D452,495 S * 12/2001 Murnaghan et al. D14/242
- D452,863 S * 1/2002 Madsen et al. D14/433

* cited by examiner

Primary Examiner—Kay H. Chin
(74) *Attorney, Agent, or Firm*—Kenneth J. Cool

(57) **CLAIM**

The ornamental design for a communications module, as shown and described.

Related U.S. Application Data

- (63) Continuation-in-part of application No. 29/085,265, filed on Mar. 19, 1998, now Pat. No. Des. 432,540.
- (51) **LOC (7) Cl.** **14-02**
- (52) **U.S. Cl.** **D14/435**
- (58) **Field of Search** D14/432-438,
D14/435, 242, 257, 240, 356, 357, 358;
439/638, 607, 676, 946; D13/146, 147;
361/685, 686, 730, 736, 752, 728, 737;
379/446

DESCRIPTION

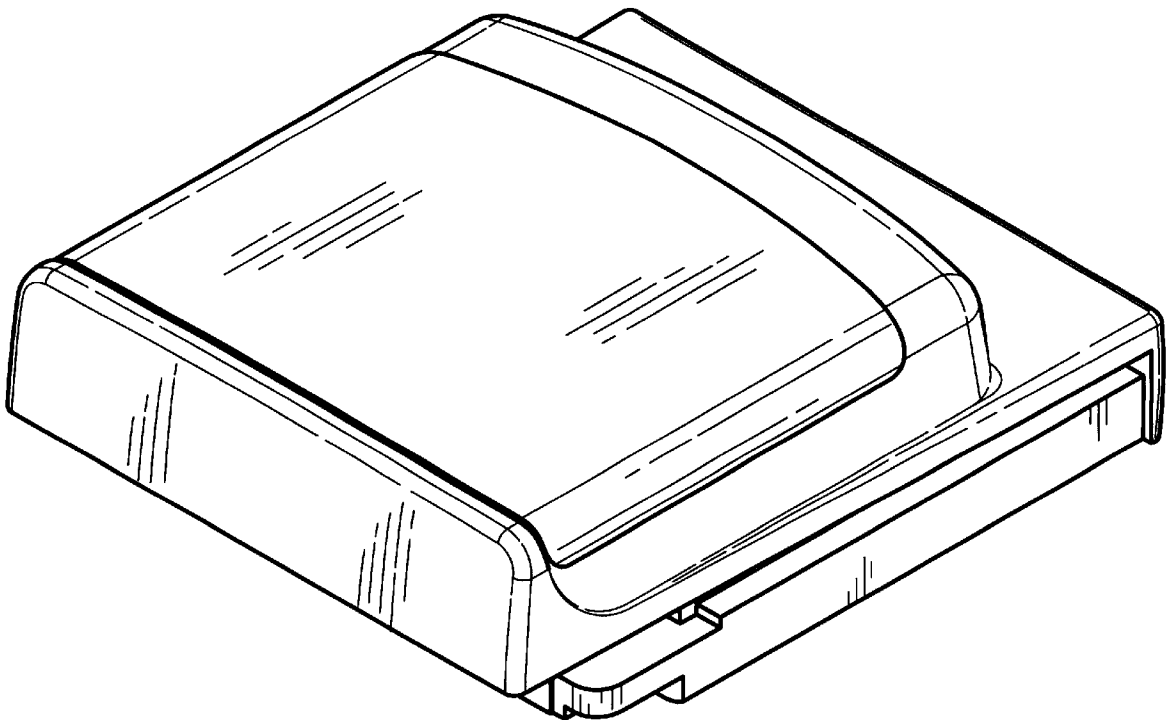
FIG. 1 is a top, front, left side perspective view of a communications module showing our new design; FIG. 2 is a top, rear, left side perspective view thereof; FIG. 3 is a bottom, front, right side perspective view thereof; FIG. 4 is a bottom, rear, right side perspective view thereof; FIG. 5 is a top plan view thereof; FIG. 6 is a front elevation view thereof; FIG. 7 is a rear elevation view thereof; FIG. 8 is a right side elevation view thereof; and, FIG. 9 is a left side elevation view thereof.

(56) **References Cited**

U.S. PATENT DOCUMENTS

- D366,463 S * 1/1996 Ive et al. D14/345

1 Claim, 9 Drawing Sheets



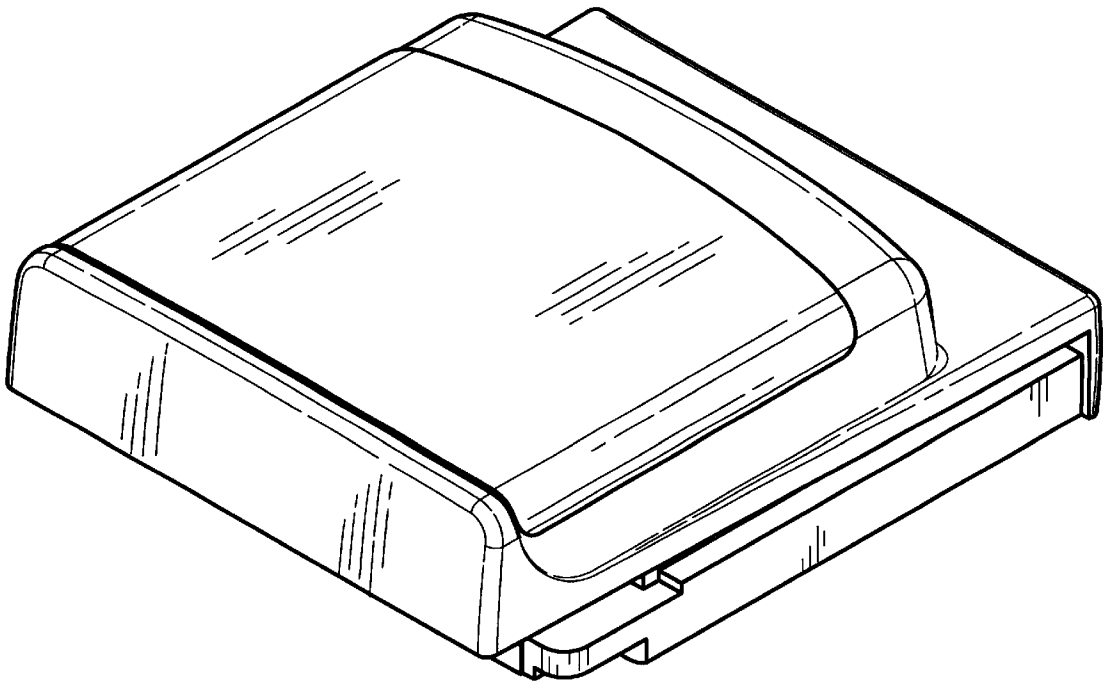


FIG. 1

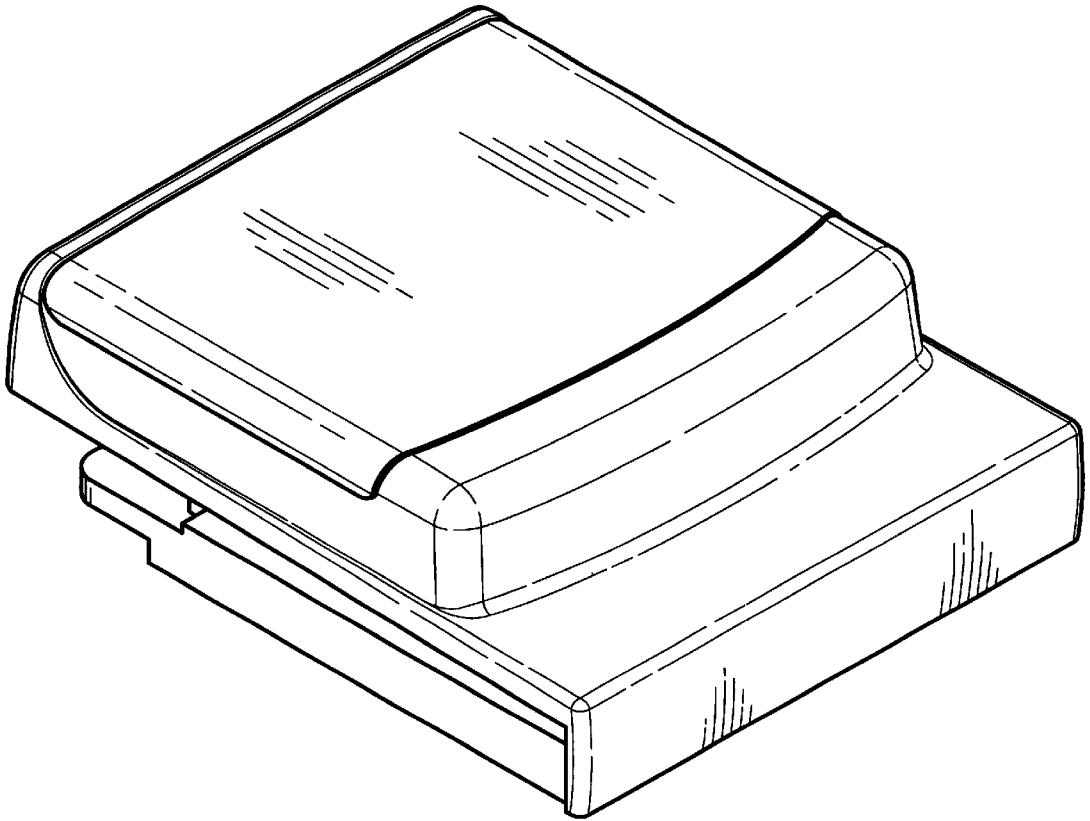


FIG. 2

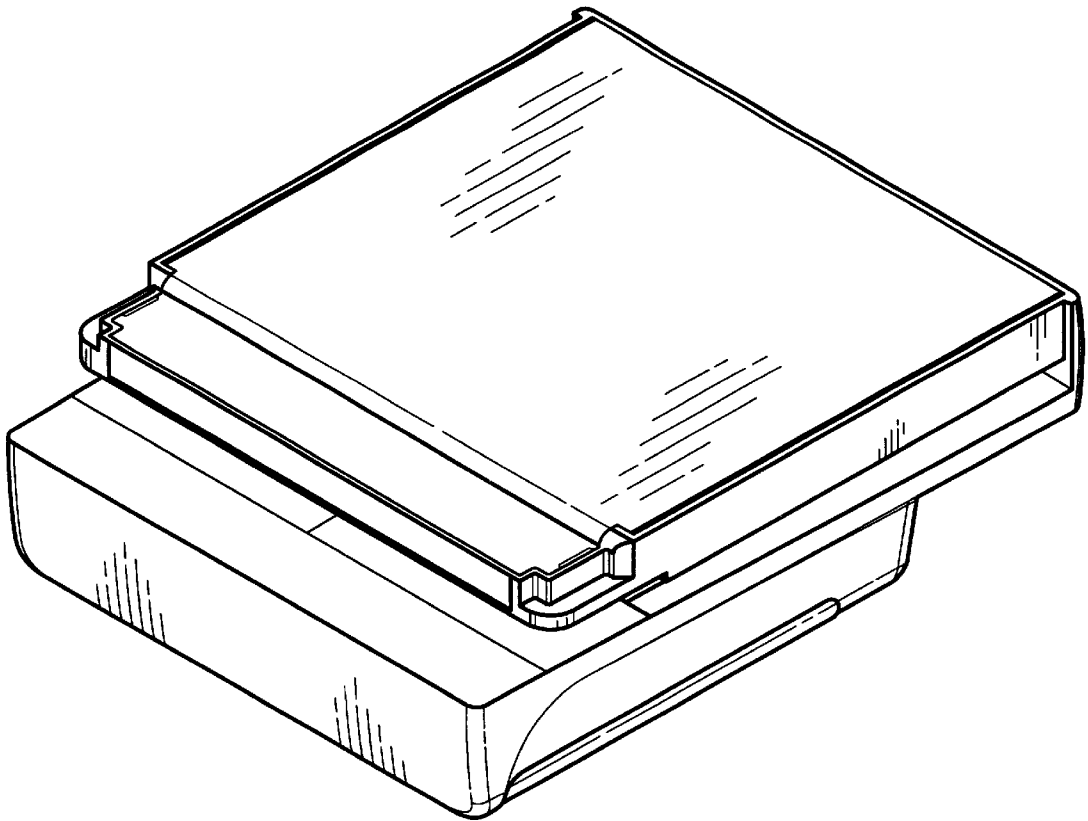


FIG. 3

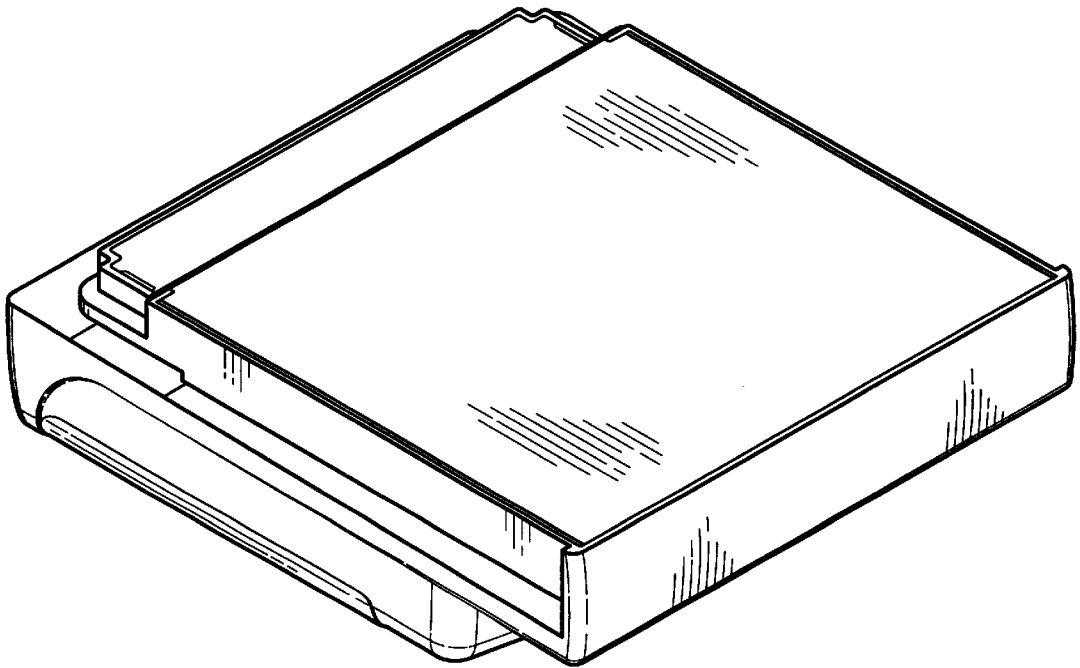


FIG. 4

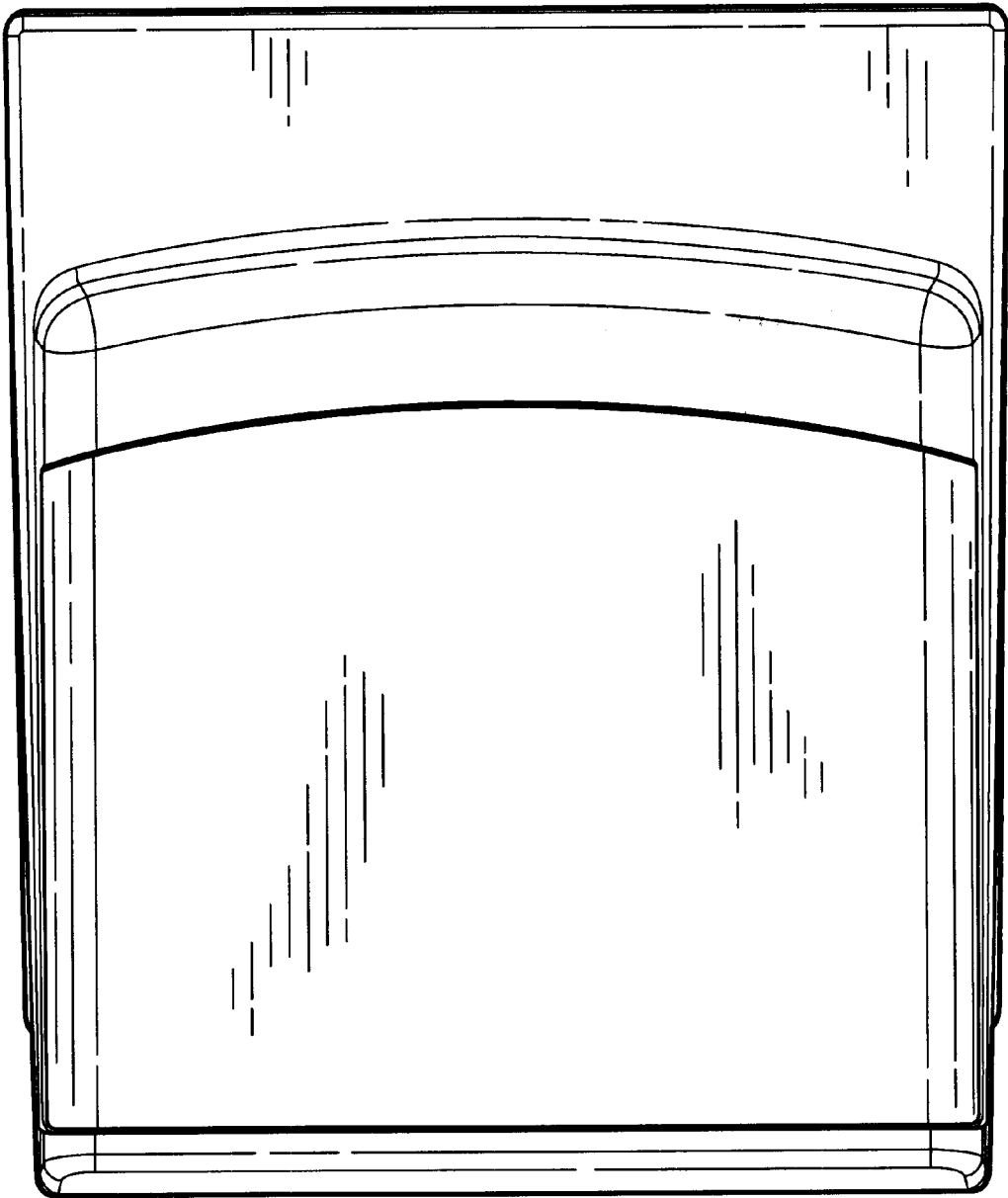


FIG. 5

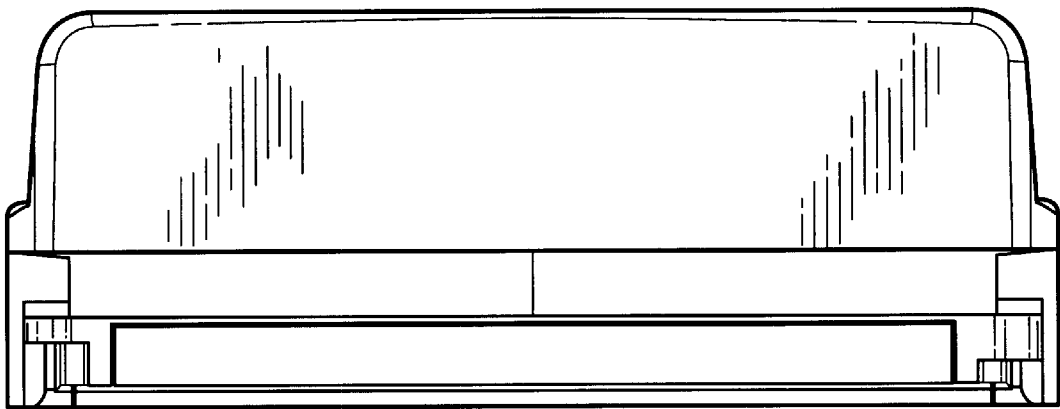


FIG. 6

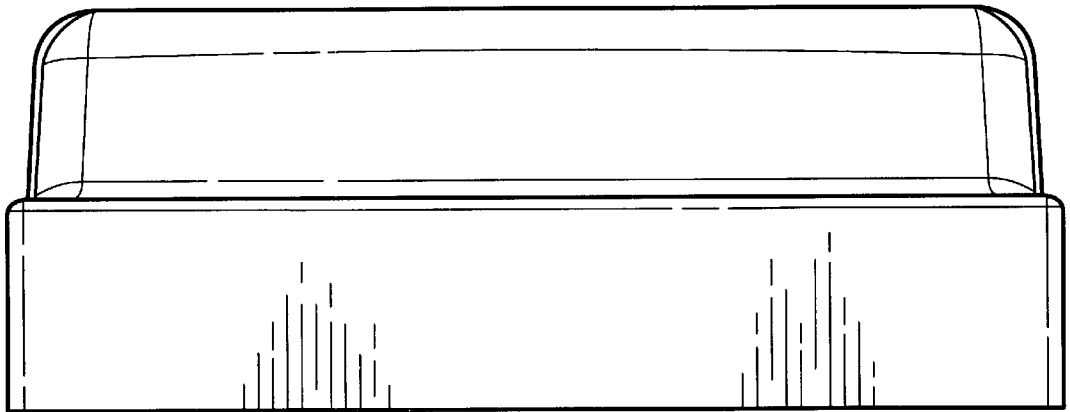


FIG. 7

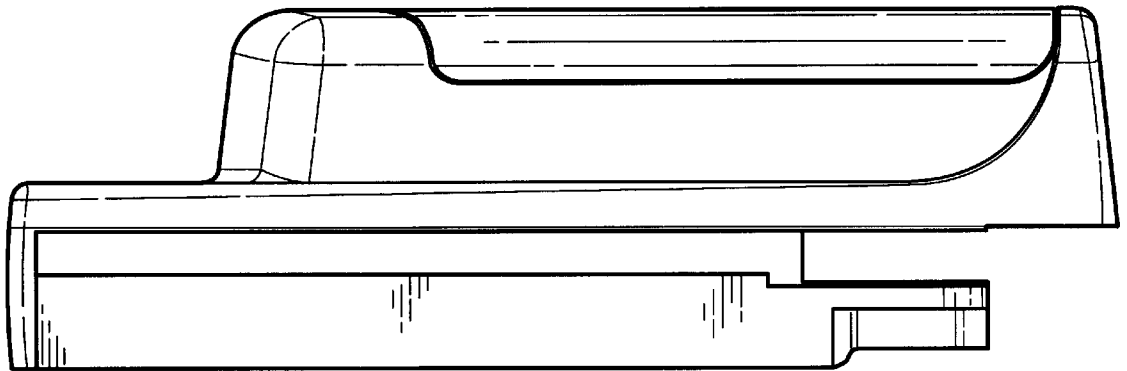


FIG. 8

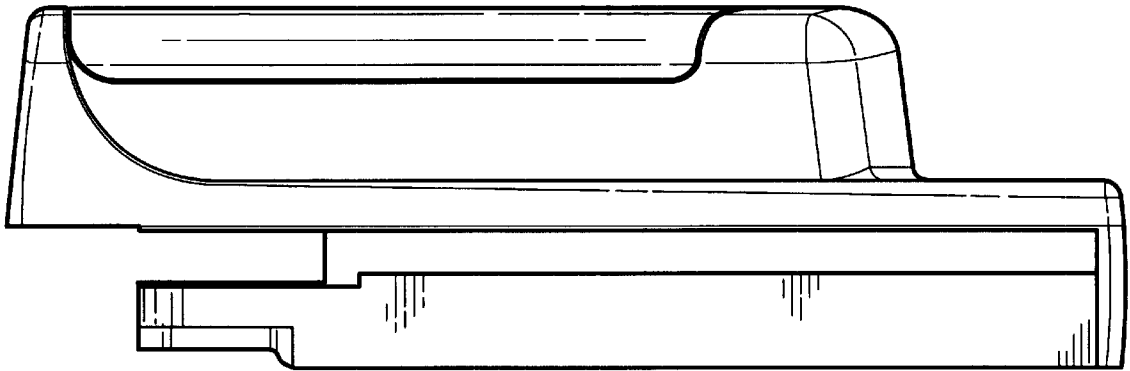


FIG. 9