



US00D341683S

United States Patent [19]

[11] Patent Number: **Des. 341,683**

Angle et al.

[45] Date of Patent: **** Nov. 23, 1993**

[54] **TRAY WASHING APPARATUS**

[76] Inventors: **Hilton Angle**, Rte. 4, Box 1200, Cullman, Ala. 35055; **Jerry Thrasher**, Rte. 2, Box 891, Blountsville, Ala. 35031

[**] Term: **14 Years**

[21] Appl. No.: **647,721**

[22] Filed: **Jan. 29, 1991**

[52] U.S. Cl. **D32/1**

[58] Field of Search **D32/1-2; 134/56 R, 84-85, 104.2, 104.3, 104.4, 111, 172-175, 184, 191, 198, 200; 210/167**

[56] **References Cited**

U.S. PATENT DOCUMENTS

D. 232,322 8/1974 Lee D32/1

D. 249,043 8/1978 McMullen D32/1
D. 254,549 3/1980 Gentry D32/1
D. 306,223 2/1990 Muirhead et al. D32/1
5,051,136 9/1991 Tuominen 134/184

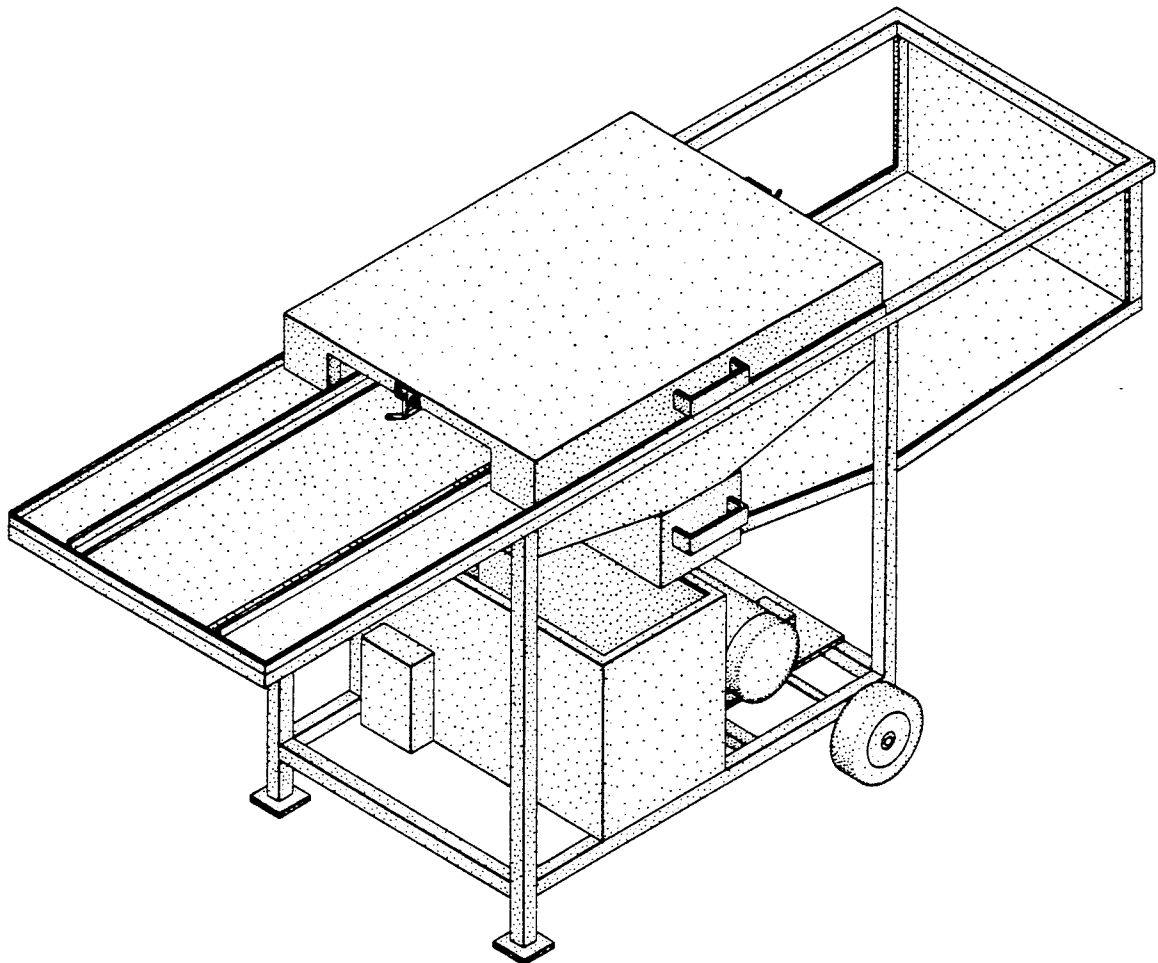
Primary Examiner—Ruth McInroy
Attorney, Agent, or Firm—Veal & Associates

[57] **CLAIM**

The ornamental design for a tray washing apparatus, as shown and described.

DESCRIPTION

FIG. 1 is a front perspective view of a tray washing apparatus showing my new design; FIG. 2 is a rear perspective view thereof; FIG. 3 is a front elevational view thereof; FIG. 4 is a rear elevational view thereof; FIG. 5 is a left end elevational view thereof; FIG. 6 is a right end elevational view thereof; and, FIG. 7 is a top plan view thereof.



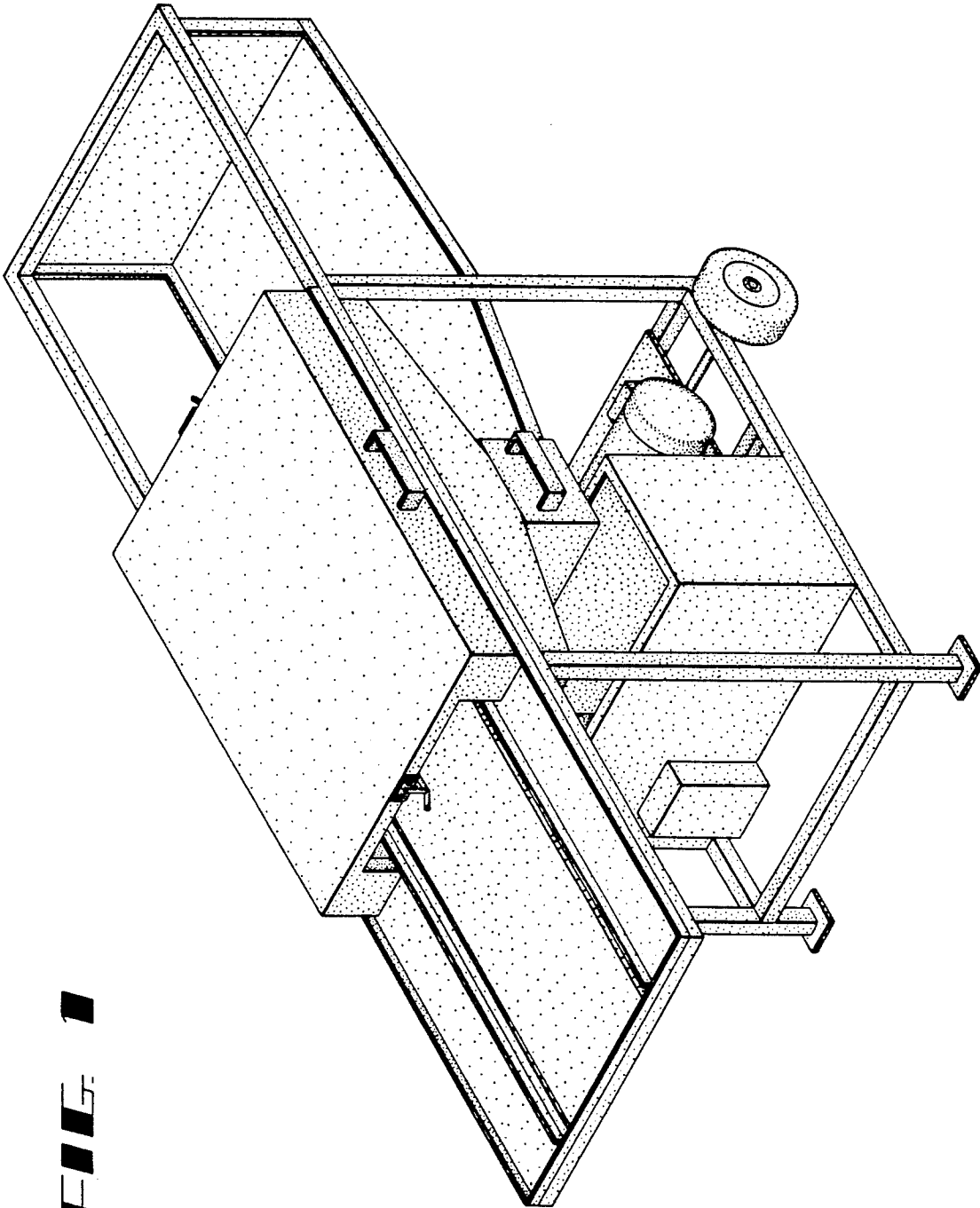


FIG. 1

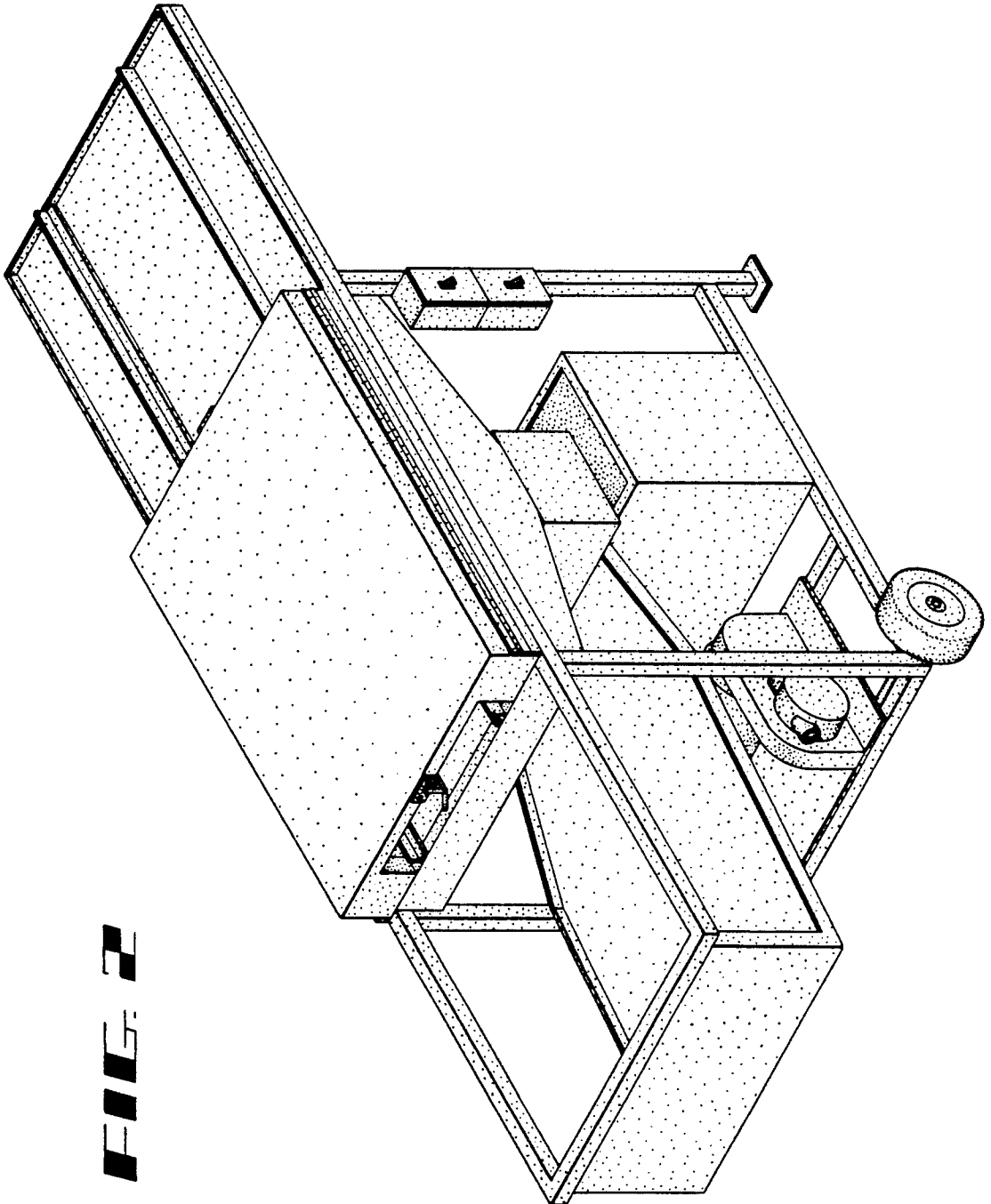


FIG. 2

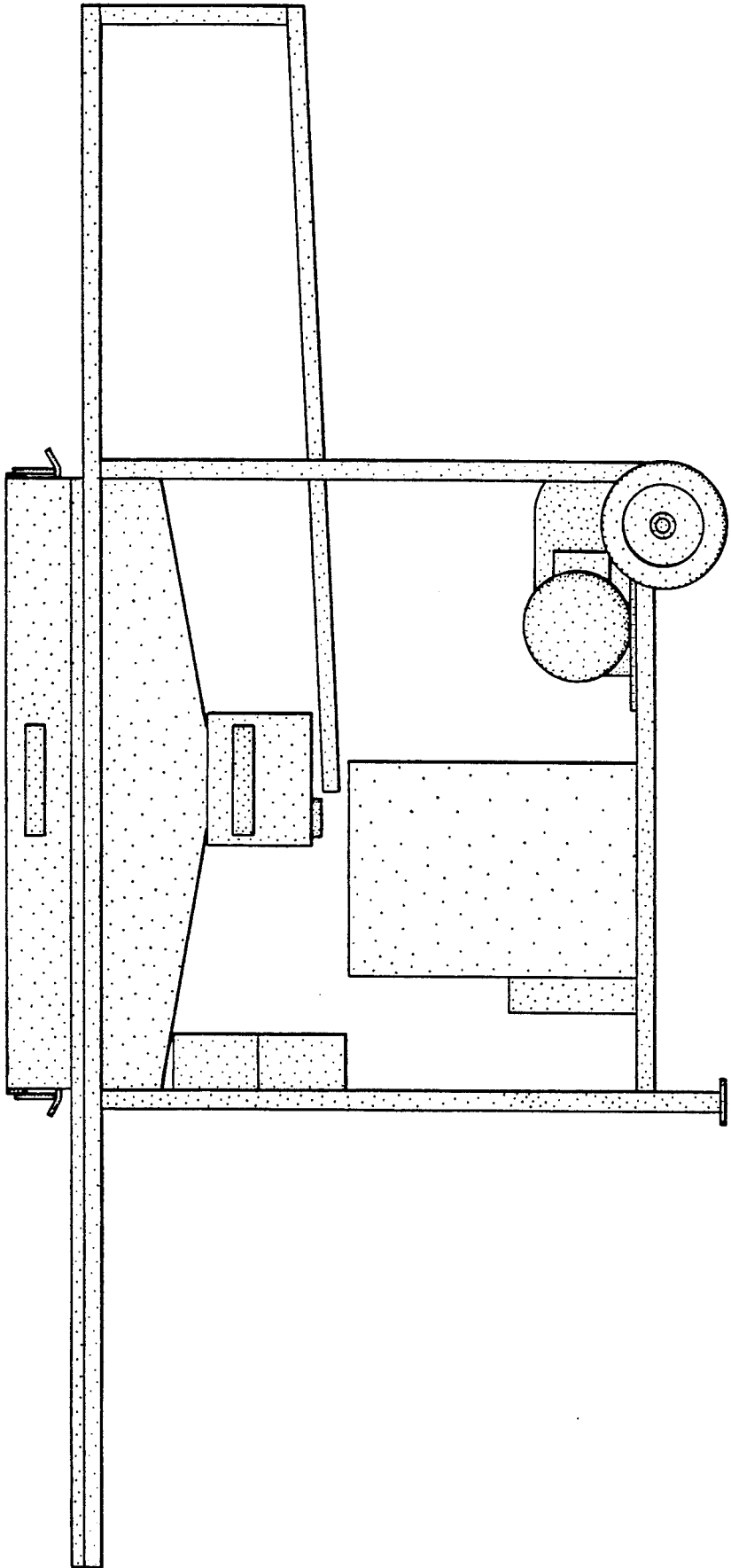


FIG. 3

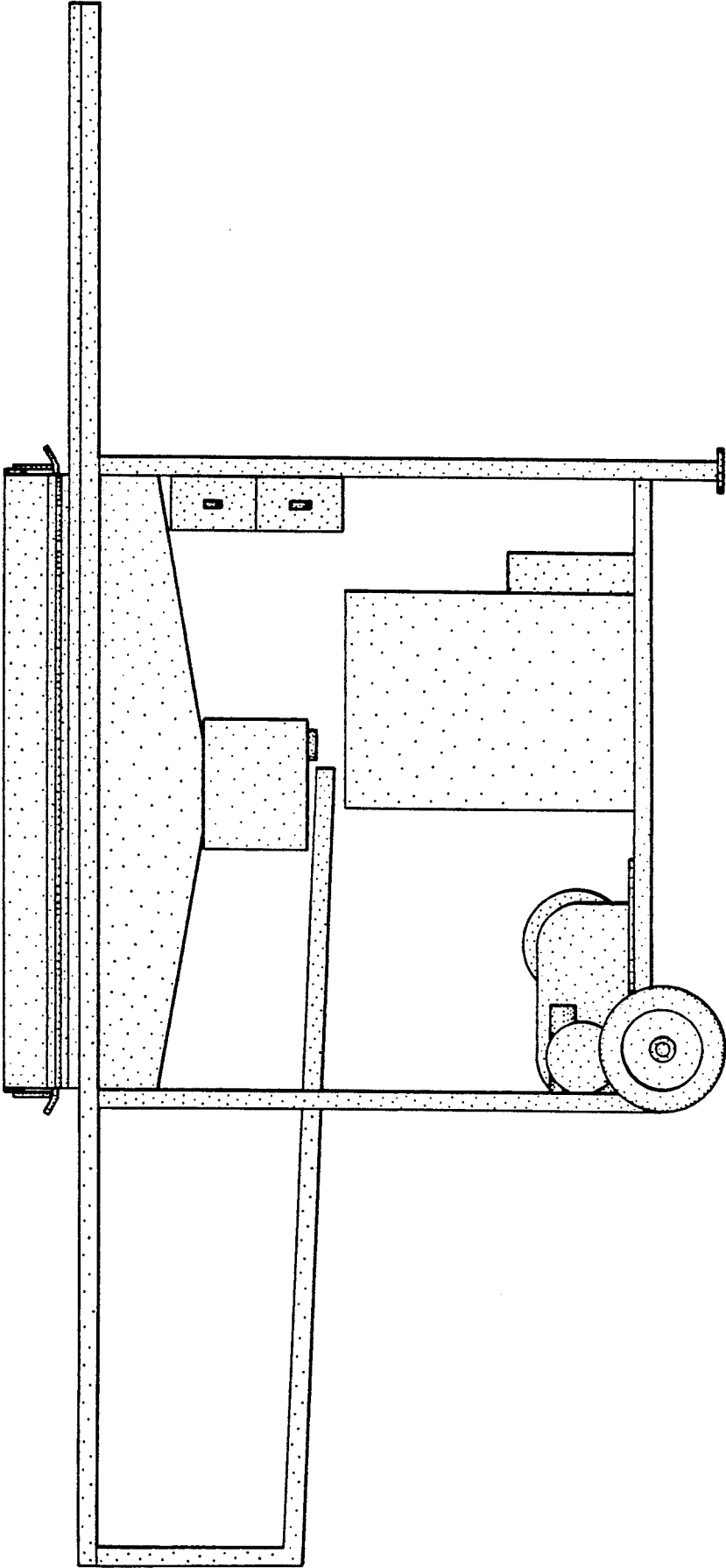


FIG. 4

FIG. 5

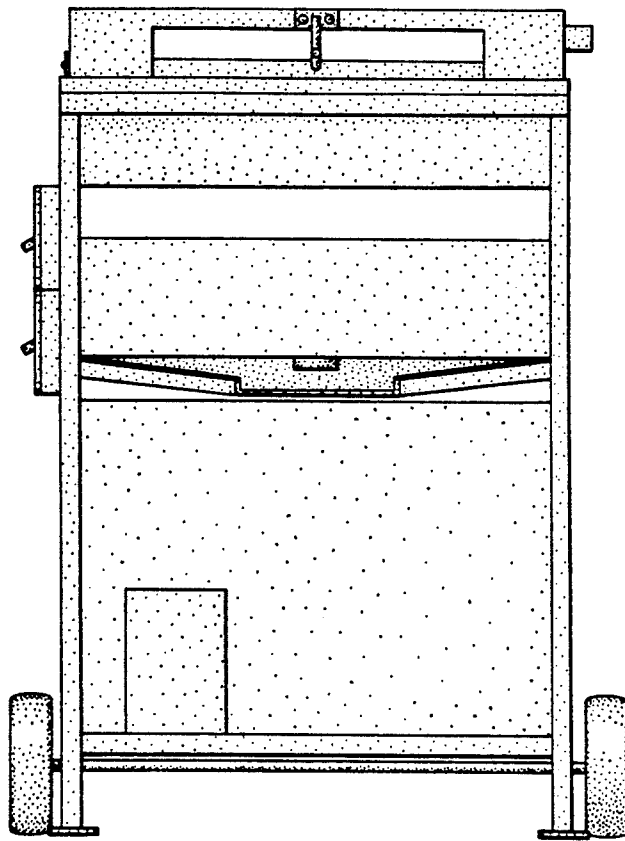


FIG. 6

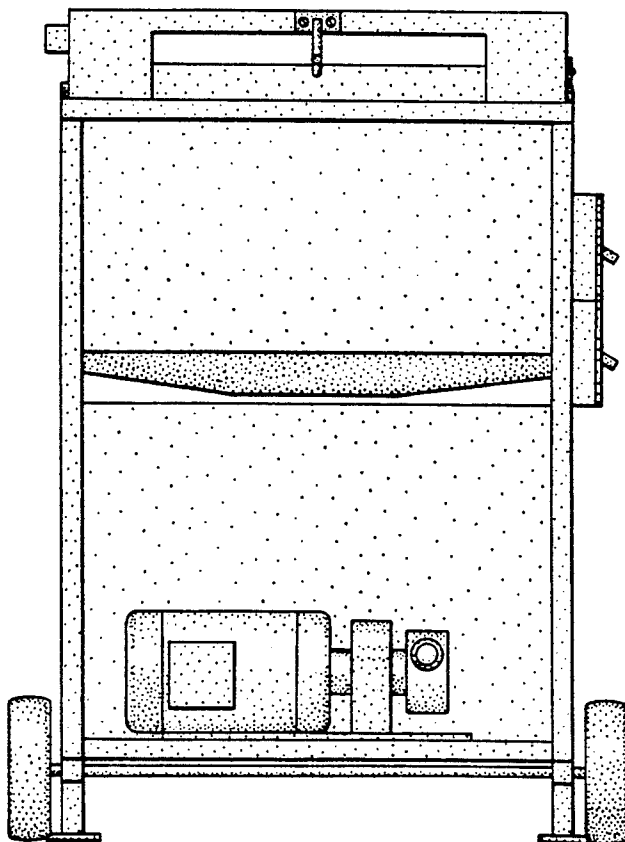


FIG. 7

