



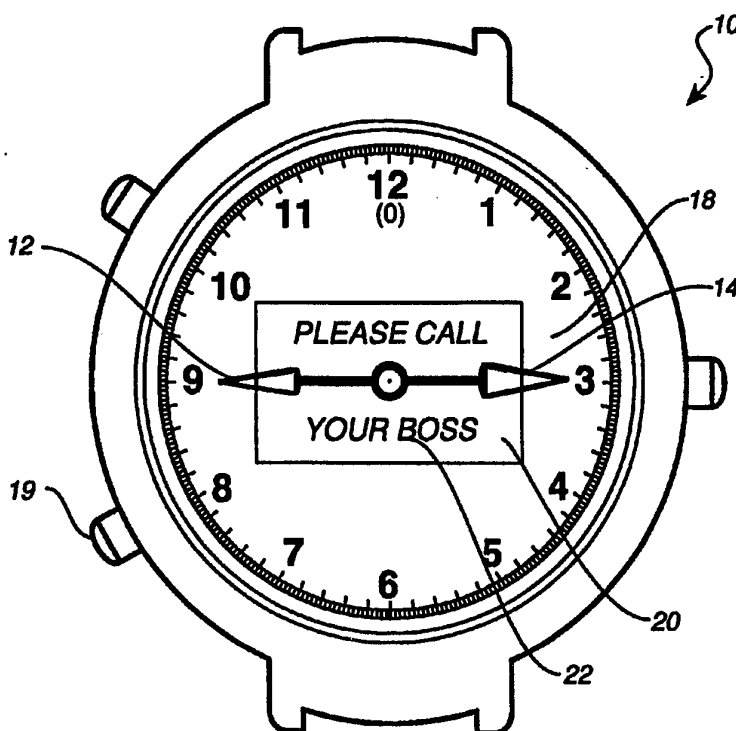
## INTERNATIONAL APPLICATION PUBLISHED UNDER THE PATENT COOPERATION TREATY (PCT)

<p>(51) International Patent Classification<sup>6</sup> : G04B 47/00, 19/00</p>	<p>A1</p>	<p>(11) International Publication Number: <b>WO 97/01134</b> (43) International Publication Date: 9 January 1997 (09.01.97)</p>
<p>(21) International Application Number: PCT/US96/04247 (22) International Filing Date: 29 March 1996 (29.03.96) (30) Priority Data: 08/494,047 23 June 1995 (23.06.95) US (71) Applicant: MOTOROLA INC. [US/US]; 1303 East Algonquin Road, Schaumburg, IL 60196 (US). (72) Inventor: LUCAS, Alfred, R.; 3840 N.W. 108th Drive, Coral Springs, FL 33065 (US). (74) Agents: NICHOLS, Daniel, K. et al.; Motorola Inc., Intellectual Property Dept./RLB, 1500 Gateway Boulevard, MS96, Boynton Beach, FL 33426-8292 (US).</p>	<p>(81) Designated States: CN, JP, KR, European patent (AT, BE, CH, DE, DK, ES, FI, FR, GB, GR, IE, IT, LU, MC, NL, PT, SE).  Published With international search report.</p>	

(54) Title: MULTIPLE DISPLAY TIMEPIECE

(57) Abstract

A multiple display analog timepiece provided with a digital display (17) within the face (18) or watch crystal (13) of the timepiece (10) for displaying digital data (22), wherein the digital data (22) may be viewed without obstruction by the hands of the analog timepiece (10). The analog timepiece (10) includes an analog display (11) having at least two hands above the face (18) and below the watch crystal (13) of the timepiece; a digital display (17) within the face (18) or watch crystal (13) for visually presenting digital data (22); and motors (54) for selectively moving the hands between the position indicating the time and a read data position away from the digital data (22) when the digital data (22) is displayed on the digital display (17). The timepiece (10) may also include a radio frequency receiving device for receiving messages to be displayed as digital data (22).



**FOR THE PURPOSES OF INFORMATION ONLY**

Codes used to identify States party to the PCT on the front pages of pamphlets publishing international applications under the PCT.

AM	Armenia	GB	United Kingdom	MW	Malawi
AT	Austria	GE	Georgia	MX	Mexico
AU	Australia	GN	Guinea	NE	Niger
BB	Barbados	GR	Greece	NL	Netherlands
BE	Belgium	HU	Hungary	NO	Norway
BF	Burkina Faso	IE	Ireland	NZ	New Zealand
BG	Bulgaria	IT	Italy	PL	Poland
BJ	Benin	JP	Japan	PT	Portugal
BR	Brazil	KE	Kenya	RO	Romania
BY	Belarus	KG	Kyrgystan	RU	Russian Federation
CA	Canada	KP	Democratic People's Republic of Korea	SD	Sudan
CF	Central African Republic	KR	Republic of Korea	SE	Sweden
CG	Congo	KZ	Kazakhstan	SG	Singapore
CH	Switzerland	LI	Liechtenstein	SI	Slovenia
CI	Côte d'Ivoire	LK	Sri Lanka	SK	Slovakia
CM	Cameroon	LR	Liberia	SN	Senegal
CN	China	LT	Lithuania	SZ	Swaziland
CS	Czechoslovakia	LU	Luxembourg	TD	Chad
CZ	Czech Republic	LV	Latvia	TG	Togo
DE	Germany	MC	Monaco	TJ	Tajikistan
DK	Denmark	MD	Republic of Moldova	TT	Trinidad and Tobago
EE	Estonia	MG	Madagascar	UA	Ukraine
ES	Spain	ML	Mali	UG	Uganda
FI	Finland	MN	Mongolia	US	United States of America
FR	France	MR	Mauritania	UZ	Uzbekistan
GA	Gabon			VN	Viet Nam

## MULTIPLE DISPLAY TIMEPIECE

5

## Field of the Invention

This invention relates in general to a multiple display timepiece. More particularly, this invention relates to an analog timepiece provided with a digital display within the crystal or on the face of the timepiece for displaying data.

## Background of the Invention

Continuing improvement in circuit design has lead to smaller and smaller integrated circuits used in electronic devices. This in turn affords the opportunity to combine electronic devices, such as a selective call receiver with a timepiece, to provide a very useful and highly desirable personalized electronic device.

Generally, selective call receivers, such as pagers, can display the caller identification number and the message received on an LCD (liquid crystal display) panel section, in addition to the generation of an alarm for indicating call reception.

A typical selective call receiver may be combined with an analog watch with hour, minute and second hands controlled by a pulsed stepping motor. The stepping motor is conventionally controlled by voltage pulses at regular intervals to increment the second and in turn the minute and hour hands and thereby cause the correct time to be displayed.

Combined electronic devices of this type are illustrated in U.S. Patent No. 4,845,485 (the '485 patent) to Pace, assigned to the assignee of the present application, and U.S. Patent No. 5,297,118 (the '118 patent) to Sakumoto, both of which are incorporated herein by reference and described briefly below.

The pager of the '485 patent is combined with an analog watch with hour, minute and second hands controlled by a stepping motor. Normally the stepping motor is activated by a voltage pulse applied at regular intervals, such as every one

second. However, during channel monitoring, means are provided to inhibit any applied voltage pulses to the stepping motor to prevent desensitization of the pager receiver. At the same time, a seconds register is incremented and later utilizes the data processor to generate and apply the appropriate delayed voltage pulses to the stepping motor in a sequential but accelerated fashion so as to bring the timepiece to current time status.

The '118 patent discloses an electronic watch with pager. In one aspect, received and stored information signals are selected in response to an output signal of the external inputting means. The time signal outputted by the time measuring means and received information signals outputted by the received information storing means are selected by the display switching means. The outputs of the display switching means are inputted to the analog display means and the digital display means, respectively. In summary, the time or the caller identification number are selectively displayed on the analog display means. The time and the caller message are selectively displayed on the digital display means. In other aspects of the '118 patent, different inputs and outputs are selected and stored such that there are different types of displays of information.

A problem with conventional watch/pagers is that they display the messages on the face of the watch, beneath the hands. Therefore, the location of the hands can interfere with the reading of the display, which can result in misinterpretation of the display or prevent one from reading the display quickly at a glance. Furthermore, display size is limited, which limits the amount of information that can be displayed without scrolling.

Thus, there is a need in the art to provide a multiple display timepiece in which the message display can be read without interference from the hands of the timepiece. In addition, a multiple display timepiece is needed that provides a larger message display.

### Brief Description of the Drawings

FIG. 1 is a front view of the clock mechanism of the multiple display timepiece in accordance with the preferred embodiment of the present invention.

FIG. 2 is another front view of the clock mechanism of the multiple display timepiece in accordance with the preferred embodiment of the present invention with a display shown in the display area.

FIG. 3 is an isometric view of a conventional wristwatch which represents a preferred configuration for the multiple display timepiece in accordance with the preferred embodiment of the present invention.

FIG. 4 is a system block diagram showing the operation of the analog timepiece of the preferred embodiment of the present invention.

FIG. 5 is a system block diagram showing the operation of the receiving circuitry of the preferred embodiment of the present invention.

### Description of the Preferred Embodiment

Referring to FIGS. 1 and 4, in a preferred embodiment, the invention includes an analog clock mechanism or watch 10, preferably configured as a wristwatch such as that shown in FIG. 3. The watch 10 of the invention generally includes an analog display means 11, preferably having two hands, such as an hour hand 12 and a minute hand 14 above a face 18 of watch 10. Alternatively, watch 10 may also include a second hand. Hands 12, 14 indicate a relative time. Watch 10 also includes a display area 20, comprising the face 18 and a watch crystal 13 which, in combination, provide a digital display means 17 for visually presenting digital data 22 (FIG. 2). Watch 10 further includes a hand moving means 54 (see FIG. 4), preferably including a plurality of conventional motors, for selectively moving hands 12, 14 between the position indicating the relative time and a read data position away from the digital data 22 when digital data 22 is

presented on digital display means 17, thereby allowing a user to view digital data 22. Moving means 54 preferably operate simultaneously, thereby moving hands 12, 14 automatically or manually away from display area 20 quickly. A user control 19  
5 allows a user to effect presentation of the digital data 22 on the display means 17.

Referring to FIG. 2, the preferred embodiment in accordance with the present invention is shown with digital data 22, such as a message, displayed in display area 20. Hands 12, 14 have been  
10 moved away from the digital data 22 so that digital data 22 can be accurately and quickly read. Digital display means 17 is preferably an LCD embedded in watch crystal 13, thereby providing a larger display and greater ease in quickly reading the digital data 22. Such a display is available from Seiko Instruments, Inc. of Chiba, Japan.  
15 Alternatively, digital display means 17 can be embedded in face 18. In the preferred embodiment, digital data 22 is one of an unlimited number of customized messages, such as those received and displayed by conventional personal messaging units, selective call receivers or paging devices.

Referring to FIG. 4, analog display means 11 is controlled by a conventional analog controller 32 which determines the correct hand position based on the relative time or, when active, based on a predetermined "read data" positioning of hands 12, 14. Specifically, moving means 54 for selectively moving hands 12, 14  
25 is controlled by analog display controller 32 responsive to an input signal, the controller 32 directing moving means 54 to position hands 12, 14 responsive to the input signal. Preferably, for simplicity, a single read data position is utilized. It will be appreciated that, alternatively, a plurality of read data positions  
30 can be utilized, e.g., to reduce positioning time.

In operation, the input signal signals controller 32 to direct moving means 54 to position hands 12, 14 to indicate the relative time. The input signal also signals controller 32 to direct moving means 54 to selectively move hands 12, 14 to the read data  
35 position. Analog display means 11 preferably includes a conventional hand movement module 30 and a conventional motor pulse generator 38 for generating the signal which controls

a conventional motor driver module 40 and moving means 54 for driving hands 12, 14 on the basis of this signal.

Referring to FIGS. 4 and 5, the input signal may be manually controlled by the user through the user control 19. Alternatively, the input signal may be controlled by a conventional data processor 52 within watch 10, in response to a received message. Processor 52 supplies the input signal which automatically signals analog display controller 32 to direct moving means 54 to selectively move hands 12, 14 to the read data position when hands 12, 14 obstruct digital data 22 on digital display means 17. Processor 52 also supplies the input signal which signals analog display controller 32 to direct moving means 54 to move hands 12, 14 back to indicate the relative time after a predetermined time delay, such as one minute after hands 12, 14 are moved to the read data position.

Digital display means 17 is controlled by a conventional digital controller 44 which determines the messages to be displayed. Digital display means 17 is composed of a conventional display driver 42 and a conventional display element 46, such as a seven segment digital LCD, for displaying a message in a digital manner on the basis of the output of display driver 42. The user is alerted by conventional alert means, such as an audible tone or vibration, when a message is received and displayed.

Referring to FIG. 5, preferably watch 10 also includes a radio frequency receiving device circuitry 47 within watch 10 for receiving messages and providing the display of digital data 22. The circuitry 47 in accordance with the preferred embodiment of the current invention preferably includes a receiver 48. Receiver 48 preferably is similar to receivers used in conventional personal messaging units and selective call receivers. The radio frequency receiving device circuitry 47 can provide an unlimited number of customized messages as digital data 22 on digital display means 17.

A conventional oscillator 50 is provided in combination with data processor 52. Digital display means 17 receives signals from data processor 52. Referring to FIGS. 1 and 5, an external antenna 23 is further included to intercept communication signals which can include a unique selective call address as well as any associated

messages intended for the watch 10. Communication signals preferably are in the form of binary digits (bits) modulated on a carrier frequency.

5 Watch 10 preferably has a POCSAG decoder, although it may incorporate other paging protocols well known to one of ordinary skill in the art. Processor 52 preferably has internal ROM, and is programmed for controlling watch 10 in accordance with the present invention.

10 As well understood by one of ordinary skill in the art, receiver 48 of the combined pager/watch device responds to signals transmitted and received by antenna 23. Receiver 48 receives, demodulates, and passes the bits to data processor 52. Data processor 52, in a well known manner, processes the detected binary information to determine if the pagers' address is present, and if so, to further process any associated message intended therefor. The timing (clock) signals to permit such data processing are provided by oscillator 50.

15 Data processor 52 preferably also provides a "battery saver" strobe signal to receiver 48 on a periodic basis whereby receiver 48, normally powered-down, comes up to full operating level and monitors the airwaves and determines if there is a signal being transmitted which is of interest to the pager portion of the device. At all other times, receiver 48 is in a deactivated state.

20 Oscillator 50 preferably also serves to provide the timing signals for data processor 52 in generating and applying the necessary periodic voltage pulses to motors 54 so as to move watch second hand 16 at regular (i.e., one second) intervals. In this manner, analog display means 11 displays current time.

25 In operation, watch 10, when operating only in the time display mode, displays the time according to the time to which it was set, which is referred to as the relative time. When a call is placed or a message is otherwise sent to the user of watch 10, hands 12, 14 preferably are manually (such as by operating user control 19) moved away from digital data 22, into a "read data" position, such that the hands show approximately 2:45, or 9:15. It will be appreciated that alternative positions for display area 20 can require alternative read data positions, e.g., approximately 6:30 or

30  
35



12:00. Preferably, after a predetermined amount of time, hands 12, 14 are moved back to the position according to the relative time. Alternatively, operation of the user control 19 can restore the relative time position.

5           Alternatively, watch 10, in addition to or instead of being combined with a receiving device, may be combined with a variety of other electronic devices needing a display area. Such other devices can include, for example, a video display device and a video game (not shown). Digital data 22 can then be represented in  
10 video format.

          While specific embodiments have been shown and described, many variations are possible. Watch 10 preferably includes only hour and minute hands (to limit the number of motors required for hand movement). Alternatively, watch 10  
15 may also include a second hand. The invention can be used on a combination watch, i.e. a watch with analog and digital display functions. Various types of pagers, video displays and video games, as well as calculators and other devices can be combined with the timepiece of the invention. The timepiece can be a  
20 pocket watch or other type of timepiece not worn on the wrist.

          Having described the invention in detail, one of ordinary skill in the art will appreciate that modifications may be made of the invention without departing from its spirit. Therefore, it is not intended that the scope of the invention be limited to the specific  
25 embodiments illustrated and described. Rather, it is intended that the scope of the invention be determined by the appended claims and their equivalents.

30           What is claimed is:

## CLAIMS

- 5           1.     A multiple display timepiece, comprising:  
          an analog display means having at least two hands  
          positioned on a top surface of a face of said timepiece at a position  
          indicating a relative time;  
          a digital display means disposed within a display area of said  
10   timepiece for visually presenting digital data; and  
          means for selectively moving said hands between said  
          position indicating said relative time and a read data position  
          away from said digital data when said digital data is displayed on  
          said digital display means, thereby allowing a user to view said  
15   digital data.
2.     The timepiece of claim 1, wherein said digital display  
          means is disposed below said hands within said face within said  
          display area of said timepiece.
- 20           3.     The timepiece of claim 1, wherein said digital display  
          means is disposed above said hands within a watch crystal within  
          said display area of said timepiece.
- 25           4.     The timepiece of claim 1, wherein said means for  
          selectively moving said hands is controlled by an analog display  
          controller which, responsive to an input signal, directs said hand  
          moving means to position said hands.
- 30           5.     The timepiece of claim 4, wherein said input signal is  
          controlled by said user.
6.     The timepiece of claim 4, wherein said input signal is  
          controlled by a processor within said timepiece.

7. The timepiece of claim 6, wherein said processor supplies said input signal, which directs said hand moving means to selectively move said hands when said digital data is displayed on said digital display means.

5

8. The timepiece of claim 7, wherein said processor supplies said input signal, which signals said controller to direct said hand moving means to move said hands to indicate said relative time after a predetermined time delay after said hands are moved when said digital data is displayed on said digital display means.

10

9. The timepiece of claim 4, wherein said hand moving means comprises a plurality of motors.

15

10. The timepiece of claim 5, wherein said digital display means is a liquid crystal display.

11. The timepiece of claim 5, further comprising a radio frequency receiving device.

20

12. The timepiece of claim 11, wherein said radio frequency receiving device provides said digital data.

13. The timepiece of claim 12, wherein said radio frequency receiving device provides an unlimited number of customized messages on said digital display means.

25

14. The timepiece of claim 5, wherein said digital data is represented in video format.

30

15. The timepiece of claim 5, further comprising an interactive video game.

16. A multiple display timepiece, comprising:

35

an analog display means having at least two hands positioned on a top surface of a face of said timepiece at a position indicating a relative time;

5 a digital display means disposed within a display area of said timepiece for visually presenting digital data; and

means for moving said hands between said position indicating said relative time and a read data position away from said digital data when said digital data is displayed on said digital display means, thereby allowing a user to view said digital data, 10 wherein said hand moving means is controlled by an analog display controller responsive to an input signal, said controller directing said moving means to position said hands responsive to said input signal.

15 17. The timepiece of claim 16, wherein said digital display means is disposed below said hands within said face within said display area of said timepiece.

20 18. The timepiece of claim 16, wherein said digital display means is disposed above said hands within a watch crystal within said display area of said timepiece.

19. A multiple display timepiece provided with a selective call receiver, comprising:

25 an analog display means having at least two hands positioned on a top surface of a face of said timepiece at a position indicating a relative time;

30 a digital display means disposed within a display area of said timepiece for visually presenting digital data received by said selective call receiver; and

means for moving said hands between said position indicating said relative time and a read data position away from said digital data,

35 wherein said hand moving means is controlled by an analog display controller responsive to an input signal, said controller directing said moving means to position said hands responsive to said input signal; and

wherein said input signal is controlled by a processor within said timepiece, said processor supplying said input signal which automatically signals said controller to direct said moving means to selectively move said hands to a read data position when said  
5 digital data is displayed on said digital display means, thereby allowing a user to view said digital data, and wherein said processor supplies said input signal after a predetermined time delay thereafter which signals said controller to direct said moving means to move said hands to indicate said relative time.

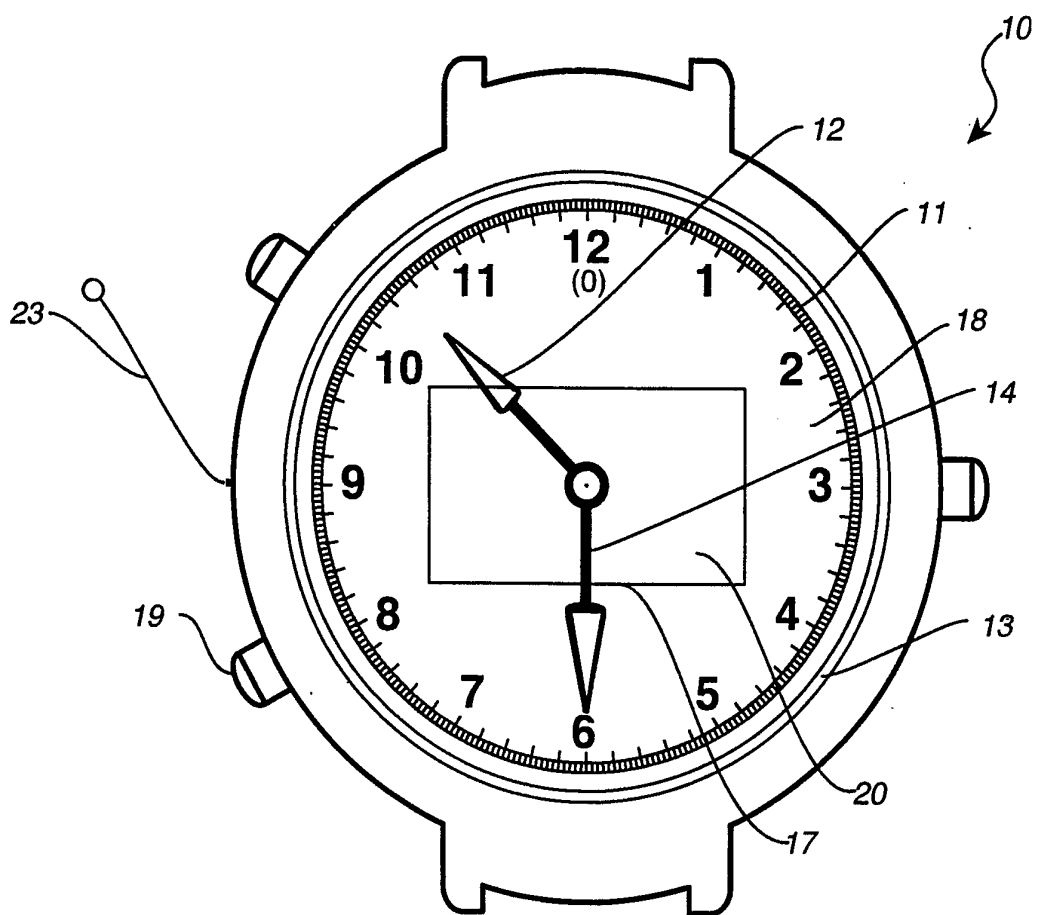
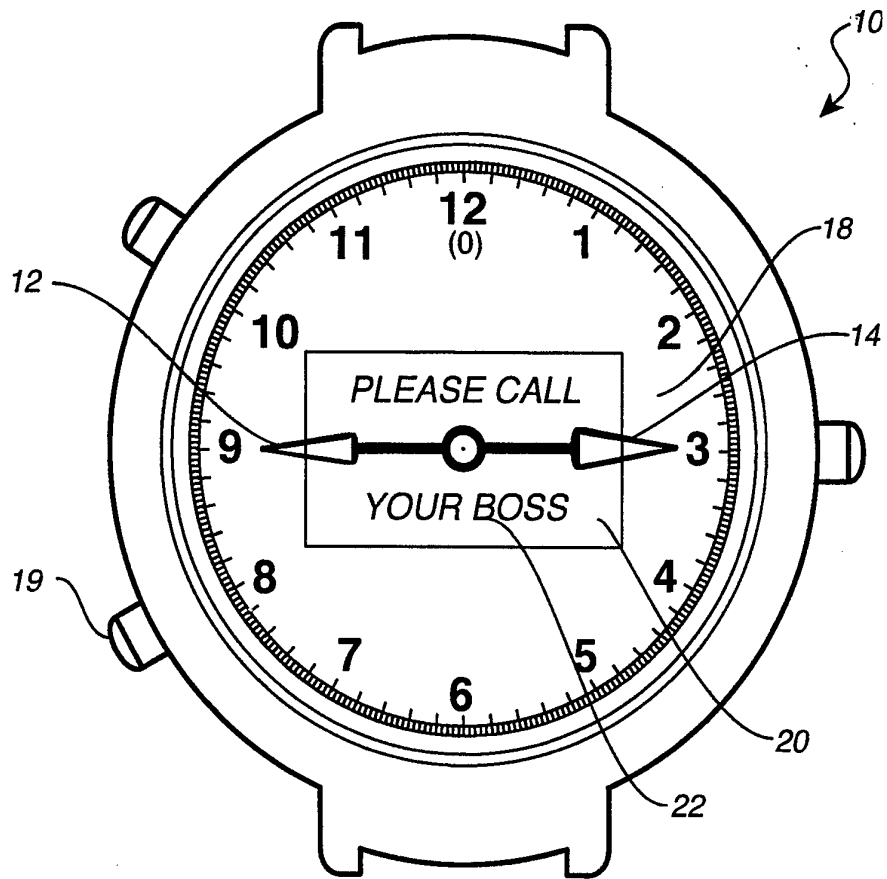
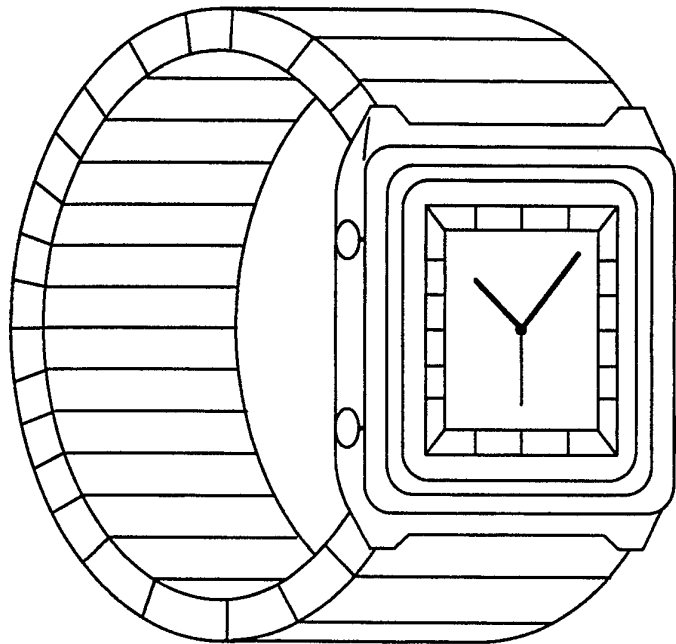


FIG. 1



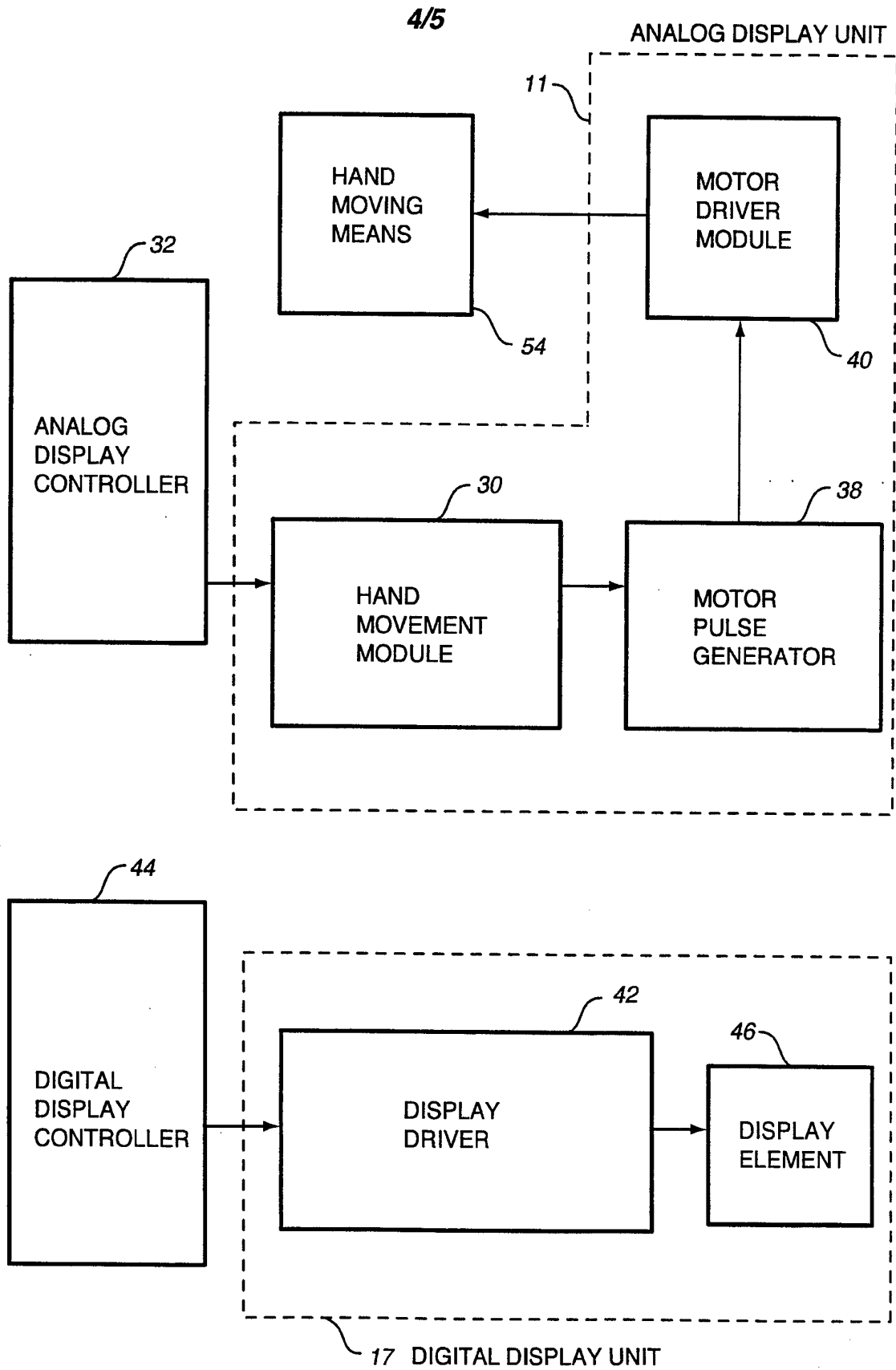
**FIG. 2**

3/5



**FIG. 3**





**FIG. 4**

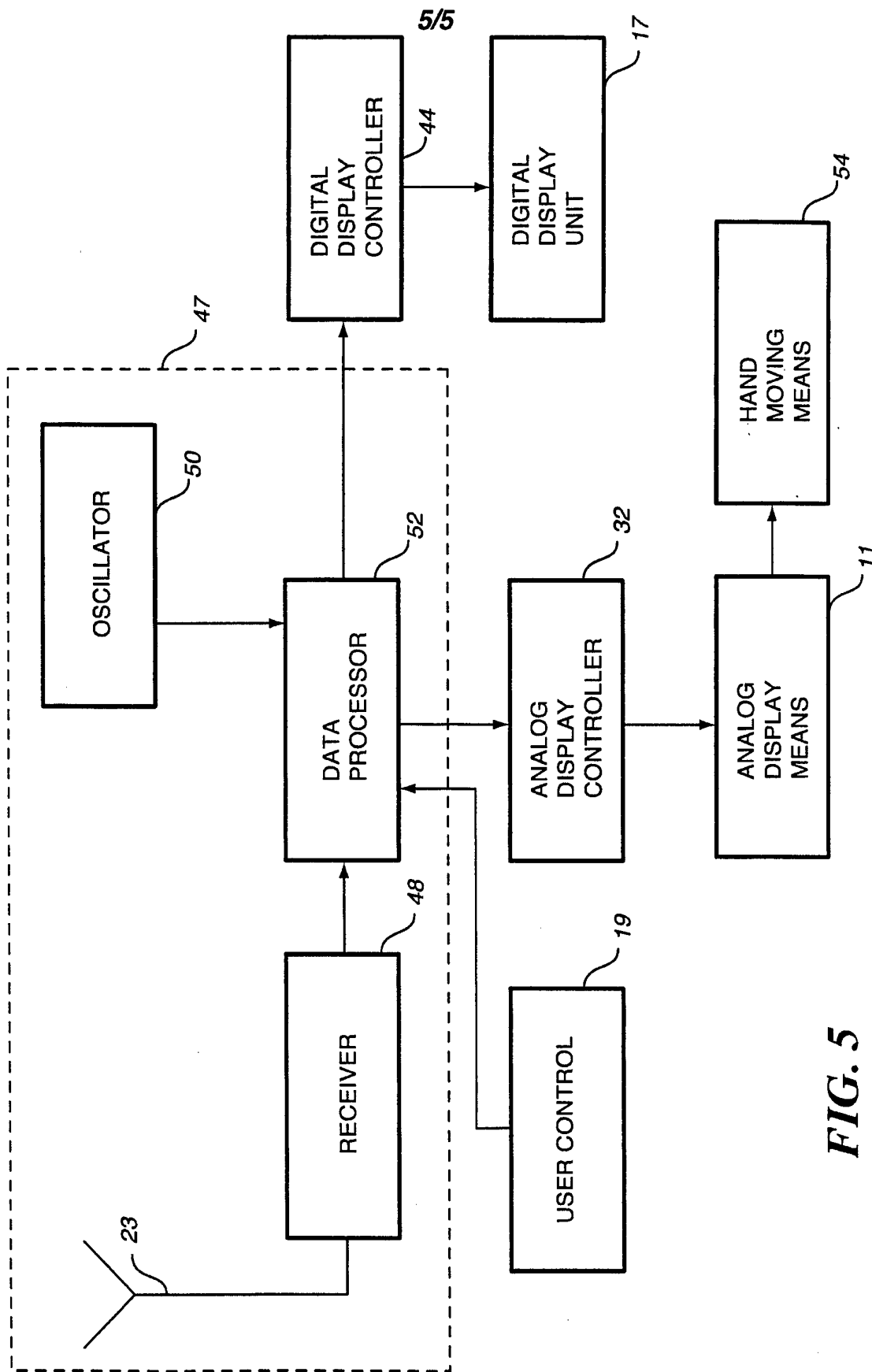


FIG. 5

**INTERNATIONAL SEARCH REPORT**

International application No.  
PCT/US96/04247

**A. CLASSIFICATION OF SUBJECT MATTER**  
 IPC(6) :Please See Extra Sheet.  
 US CL :368/10, 80, 223, 239  
 According to International Patent Classification (IPC) or to both national classification and IPC

**B. FIELDS SEARCHED**  
 Minimum documentation searched (classification system followed by classification symbols)  
 U.S. : 368/239, 241, 242, 79, 80, 82-84, 41, 10

Documentation searched other than minimum documentation to the extent that such documents are included in the fields searched

Electronic data base consulted during the international search (name of data base and, where practicable, search terms used)

**C. DOCUMENTS CONSIDERED TO BE RELEVANT**

Category*	Citation of document, with indication, where appropriate, of the relevant passages	Relevant to claim No.
Y	US, A, 5,297,118 (SAKUMOTO) 22 March 1994, Figure 9.	1-19
Y	US, A, 5,329,501 (MEISTER ET AL.) 12 July 1994	1-19
A	US, A, 4,845,485 (PACE) 04 July 1989, entire document.	1-19
A	US, A, 4,355,380 (HUGUENIN ET AL.) 19 October 1982, see entire document.	1-19
A	US, A, 4,257,115 (HATUSE ET AL) 17 March 1981, see entire document.	

Further documents are listed in the continuation of Box C.  See patent family annex.

* Special categories of cited documents:	"T" later document published after the international filing date or priority date and not in conflict with the application but cited to understand the principle or theory underlying the invention
"A" document defining the general state of the art which is not considered to be of particular relevance	"X" document of particular relevance; the claimed invention cannot be considered novel or cannot be considered to involve an inventive step when the document is taken alone
"E" earlier document published on or after the international filing date	"Y" document of particular relevance; the claimed invention cannot be considered to involve an inventive step when the document is combined with one or more other such documents, such combination being obvious to a person skilled in the art
"L" document which may throw doubts on priority claim(s) or which is cited to establish the publication date of another citation or other special reason (as specified)	"&" document member of the same patent family
"O" document referring to an oral disclosure, use, exhibition or other means	
"P" document published prior to the international filing date but later than the priority date claimed	

Date of the actual completion of the international search 24 JULY 1996	Date of mailing of the international search report <b>06 AUG 1996</b>
---	--

Name and mailing address of the ISA/US Commissioner of Patents and Trademarks Box PCT Washington, D.C. 20231 Facsimile No. (703) 305-3230	Authorized officer <b>BERNARD ROSKOSKI</b> Telephone No. (703) 308-3095
--	---

**INTERNATIONAL SEARCH REPORT**

International application No.

PCT/US96/04247

**A. CLASSIFICATION OF SUBJECT MATTER:**

IPC (6):

G04B 47/00, 19/00