



US00D683662S

(12) **United States Design Patent**
Vloemans

(10) **Patent No.:** **US D683,662 S**

(45) **Date of Patent:** **** Jun. 4, 2013**

(54) **QUICK RELEASE DEVICE**

(75) Inventor: **Eric Vloemans**, Olen (BE)

(73) Assignee: **Race Productions, Naamloze**
Vennootschap, Paal (BE)

(**) Term: **14 Years**

(21) Appl. No.: **29/400,028**

(22) Filed: **Aug. 23, 2011**

(30) **Foreign Application Priority Data**

Feb. 24, 2011 (EP) 001825837-0001

(51) **LOC (9) Cl.** **12-11**

(52) **U.S. Cl.**
USPC **D12/114**

(58) **Field of Classification Search**
USPC D12/179, 111, 114, 123, 124; 301/124.2,
301/111.03; 403/322.4, DIG. 4; 280/278,
280/287; 70/233; 29/267; D8/16, 31, 105;
81/119, DIG. 7

See application file for complete search history.

(56) **References Cited**

U.S. PATENT DOCUMENTS

D292,549	S	*	11/1987	Rixen	D8/14
5,003,656	A	*	4/1991	Loppnow	7/169
5,099,726	A	*	3/1992	Hsiao	81/459
5,443,471	A	*	8/1995	Swajger	606/99
5,544,379	A	*	8/1996	Chen	7/138

5,588,169	A	*	12/1996	Chuang	7/138
5,613,387	A	*	3/1997	Shieh	70/233
5,655,242	A	*	8/1997	Chuang	7/138
5,996,180	A	*	12/1999	Eisenzopf	16/406
D436,514	S	*	1/2001	Rivera	D8/105
6,336,385	B1	*	1/2002	Wang	81/177.4
D467,777	S	*	12/2002	Van Horn et al.	D8/27
6,622,329	B2	*	9/2003	Ostor et al.	7/138
6,679,142	B1	*	1/2004	Lin	81/437
D515,392	S	*	2/2006	Xingguo	D8/105
7,082,636	B1	*	8/2006	Rinard et al.	7/138
D555,546	S	*	11/2007	Hanamura	D12/114
7,520,692	B2	*	4/2009	Hsu	403/349
2006/0127167	A1	*	6/2006	Hsieh	403/109.5
2011/0173759	A1	*	7/2011	Taiga	7/118

* cited by examiner

Primary Examiner — Philip S Hyder

Assistant Examiner — John T Applewhite

(74) *Attorney, Agent, or Firm* — Bacon & Thomas, PLLC

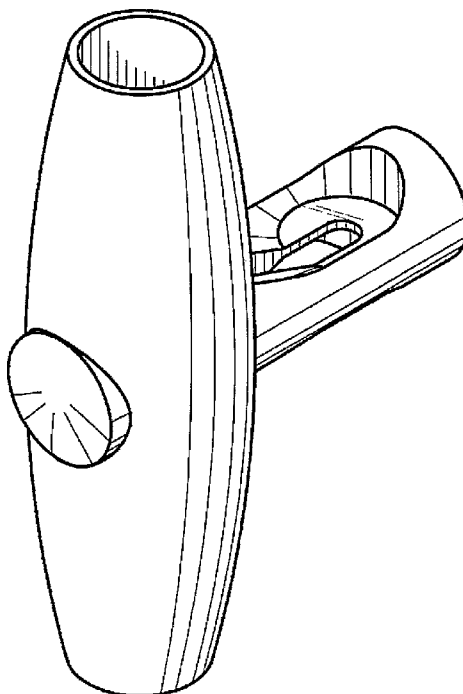
(57) **CLAIM**

The ornamental design for quick release device, as shown and described.

DESCRIPTION

FIG. 1 is a front elevation view of my new design for quick release device, the rear view being a mirror image thereof; FIG. 2 is a top plan view thereof; FIG. 3 is a left elevation view thereof; FIG. 4 is an upper left perspective view thereof; and, FIG. 5 is an upper right perspective view thereof.

1 Claim, 5 Drawing Sheets



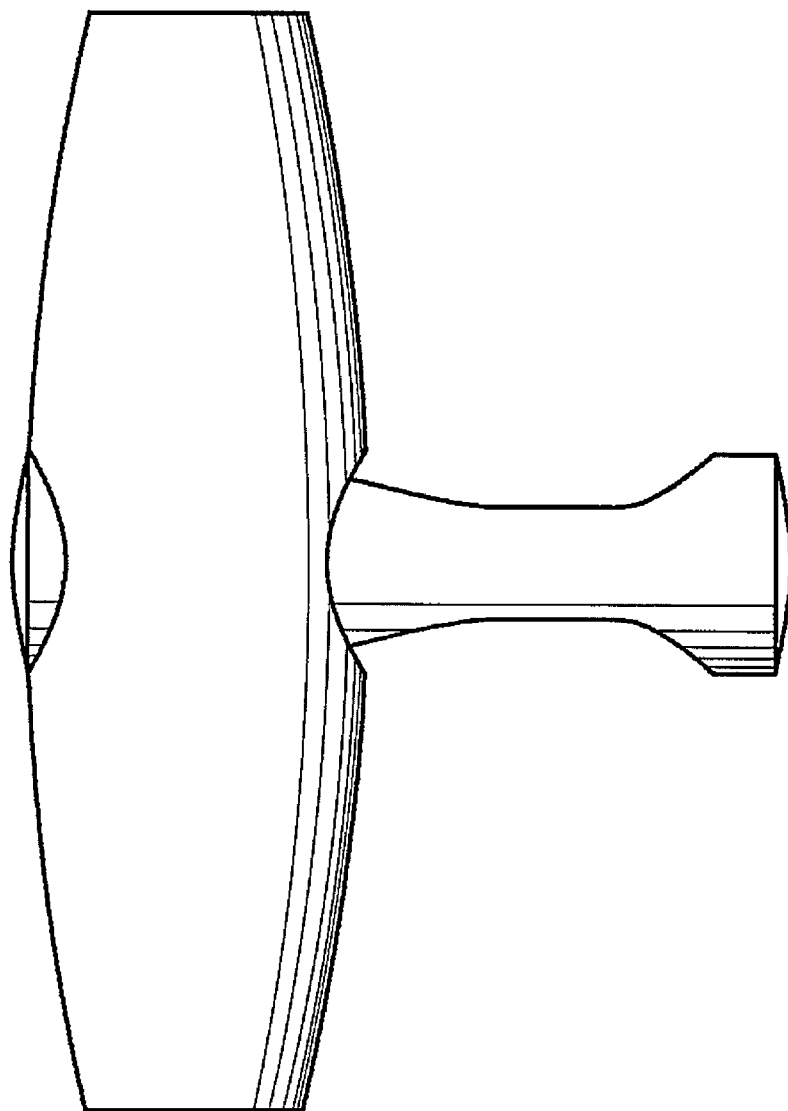


Figure 1

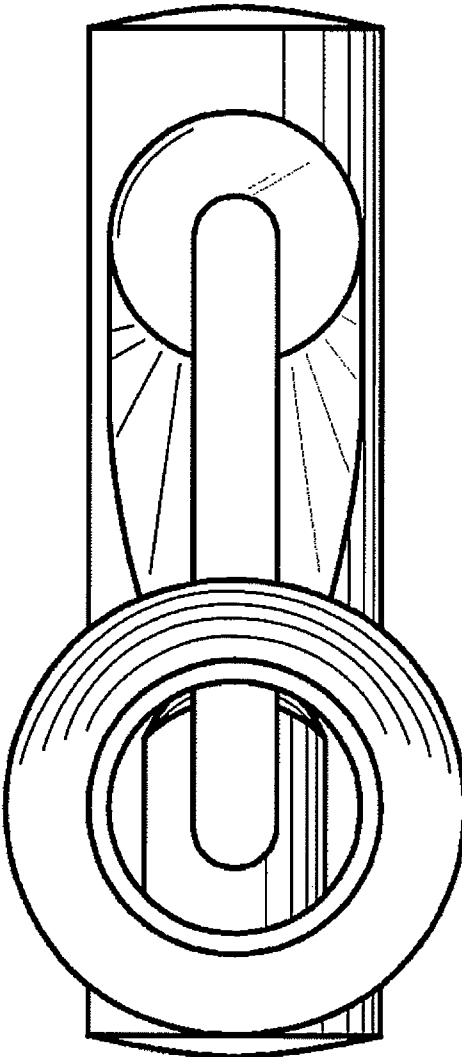


Figure 2

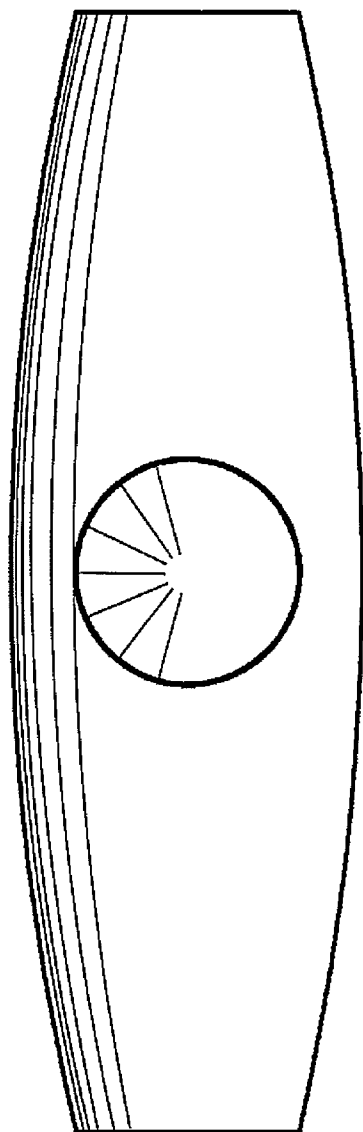


Figure 3

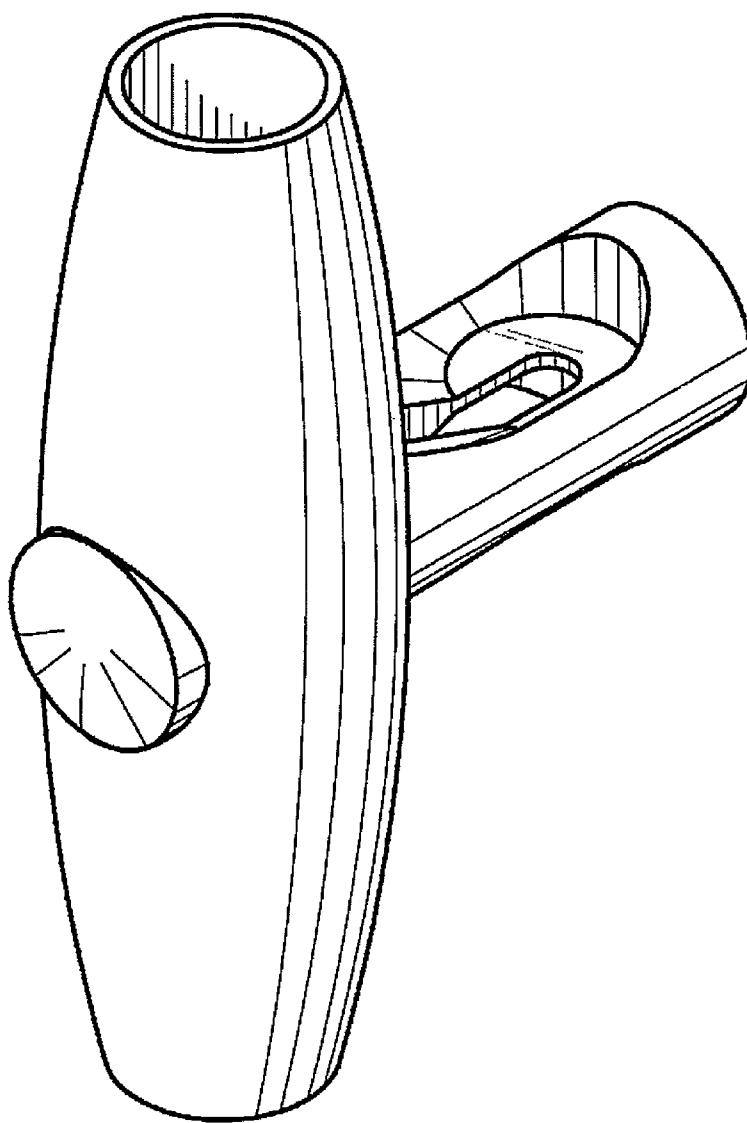


Figure 4

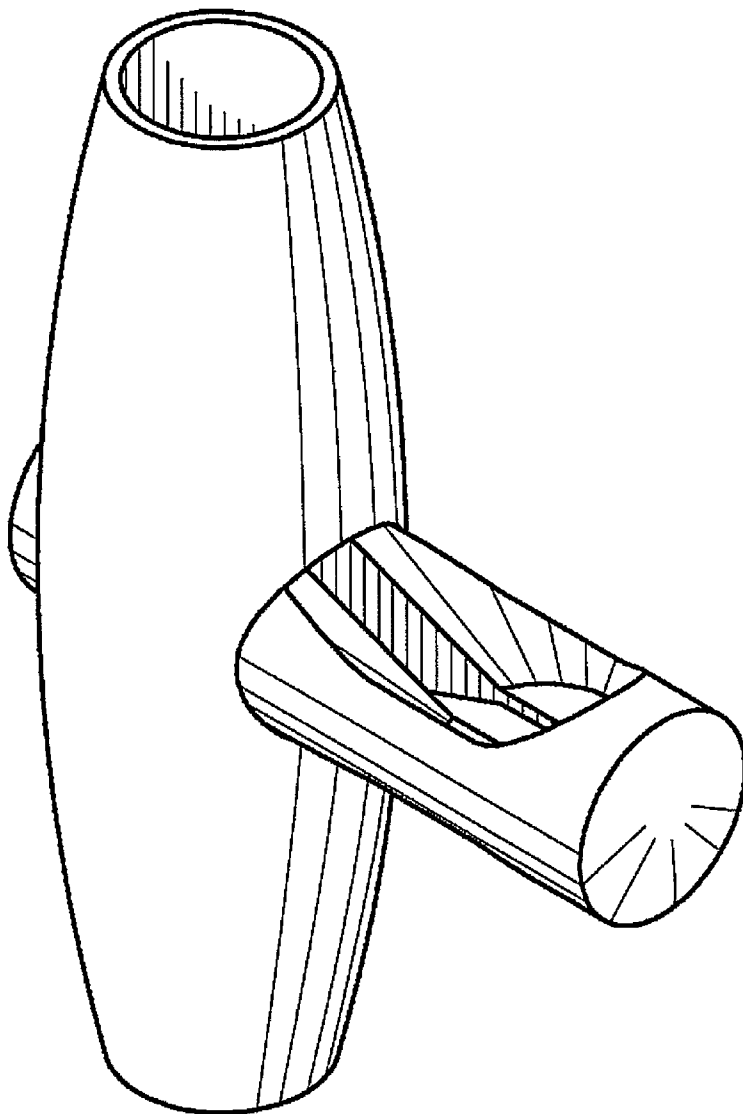


Figure 5