



US00D822786S

(12) **United States Design Patent**
Schroeder et al.

(10) **Patent No.:** **US D822,786 S**

(45) **Date of Patent:** **** Jul. 10, 2018**

- (54) **FISH ATTRACTOR, TEASER, OR LURE**
- (71) Applicant: **Saucy Tackle Company, LLC**,
Manchester, NH (US)
- (72) Inventors: **Gerhardt P. Schroeder**, Concord, NH
(US); **Nicholas Want**, Manchester, NH
(US)
- (73) Assignee: **SAUCY TACKLE COMPANY, LLC**,
Manchester, NH (US)
- (**) Term: **15 Years**

- 3,226,875 A * 1/1966 Woolums A01K 85/10
43/42.17
- 3,382,600 A * 5/1968 Walters A01K 85/18
43/42.15
- D278,738 S * 5/1985 Hargreaves D22/126
- D347,459 S * 5/1994 Gowing D22/126

* cited by examiner

Primary Examiner — Catherine R Oliver-Garcia

(74) *Attorney, Agent, or Firm* — RatnerPrestia

(57) **CLAIM**

The ornamental design for a fish attractor, teaser, or lure, as shown and described.

DESCRIPTION

FIG. 1 is an isometric perspective view of the fish attractor, teaser, or lure showing the claimed design;
 FIG. 2 is a FRONT elevation view illustrated in FIG. 1.
 FIG. 3 is a REAR elevation view illustrated in FIG. 1.
 FIG. 4 is a RIGHT elevation view illustrated in FIG. 1.
 FIG. 5 is a LEFT elevation view illustrated in FIG. 1.
 FIG. 6 is a TOP elevation view illustrated in FIG. 1.
 FIG. 7 is a BOTTOM elevation view illustrated in FIG. 1.
 FIG. 8 is a FRONT elevation view illustrated in FIG. 3, but with a portion of the design rotated 180° illustrating the relative rotation of portions of the design; and,
 FIG. 9 is a LEFT elevation view illustrated in FIG. 6, but with a portion of the design rotated 180° illustrating the relative rotation of portions of the design.
 The dashed lines are for illustration purposes only and form no part of the claimed design. The dash-dot lines separate claimed surfaces from surfaces that form no part of the claimed design.

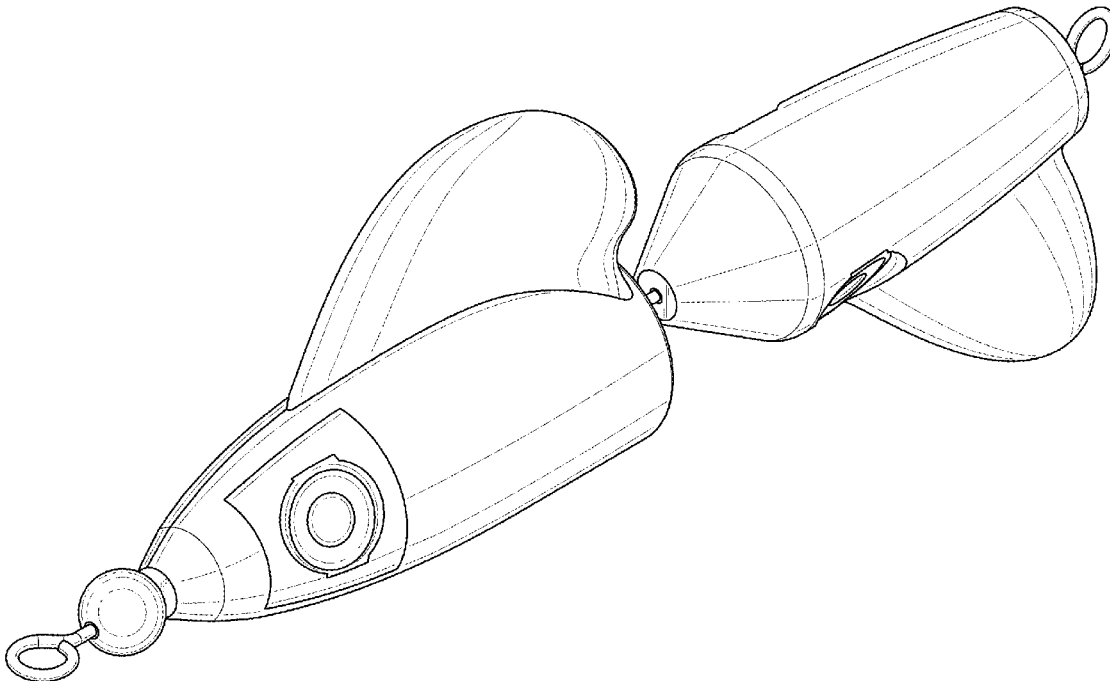
- (21) Appl. No.: **29/596,616**
- (22) Filed: **Mar. 9, 2017**
- (51) **LOC (11) Cl.** **22-05**
- (52) **U.S. Cl.**
USPC **D22/126**
- (58) **Field of Classification Search**
USPC D22/126–133; 43/42.21, 42.17, 42.15,
43/42.44, 42.48, 42.31, 42.28
CPC A01K 85/00; A01K 85/10; A01K 85/18
See application file for complete search history.

(56) **References Cited**

U.S. PATENT DOCUMENTS

- 2,578,041 A * 12/1951 Candioto A01K 85/12
43/42.21
- D174,367 S * 4/1955 Autry D22/126

1 Claim, 6 Drawing Sheets



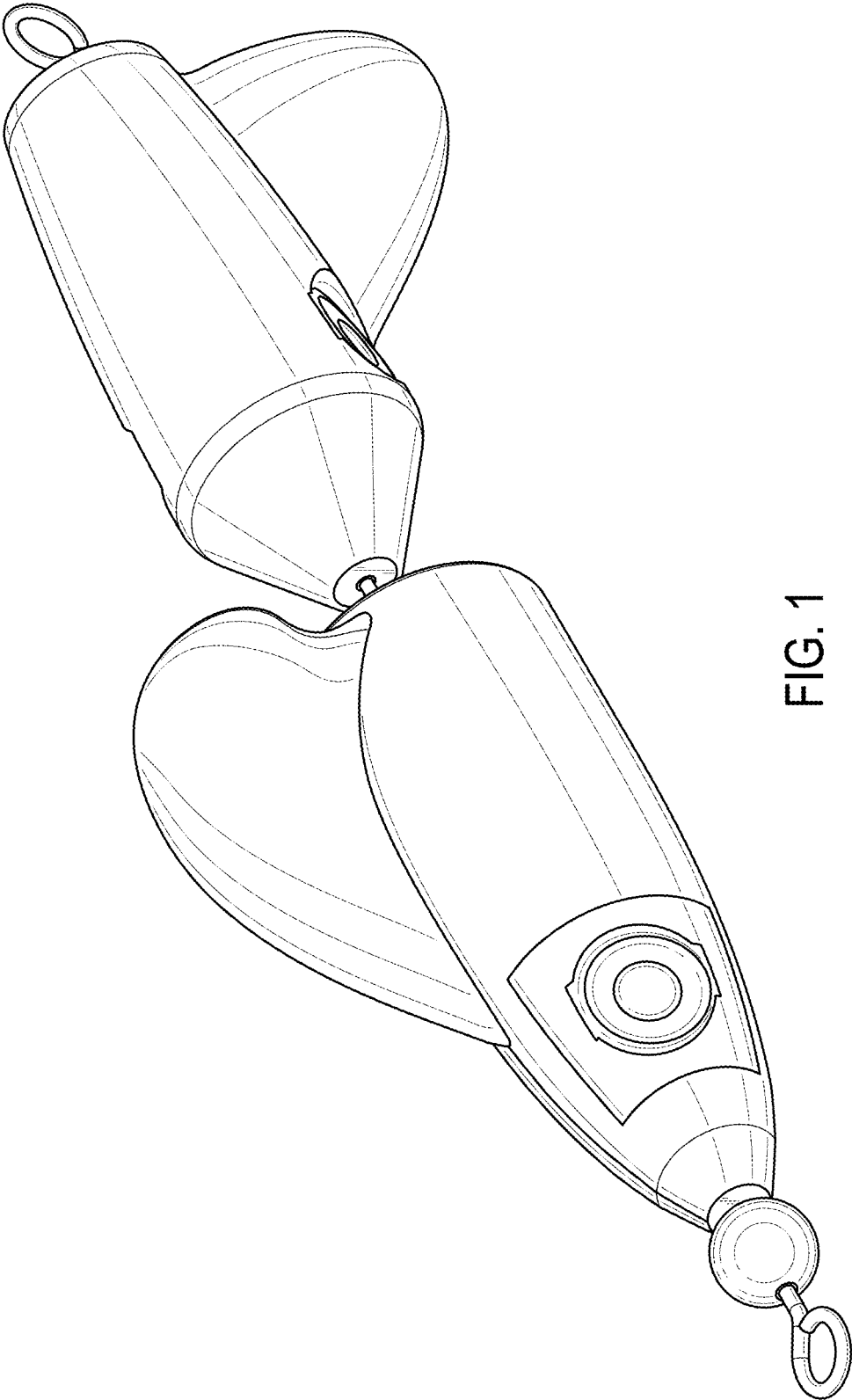


FIG. 1

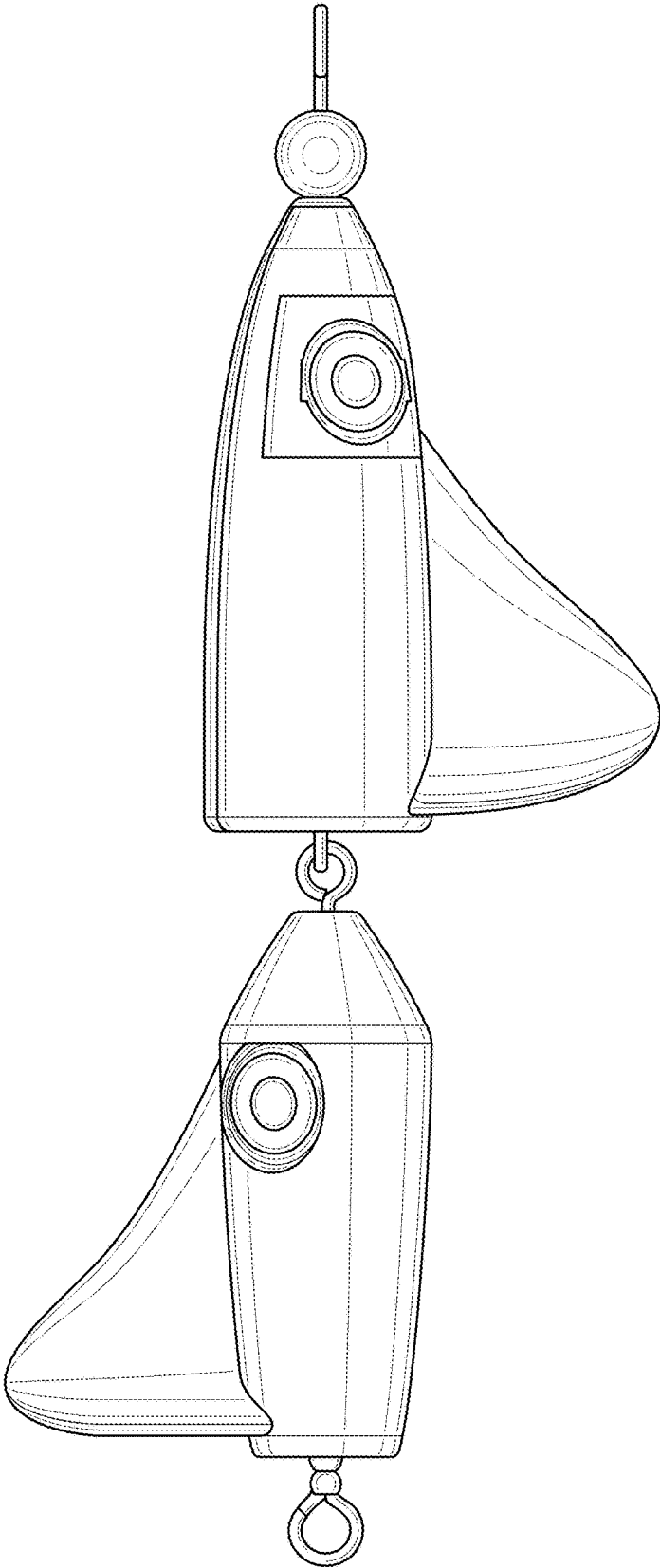


FIG. 2

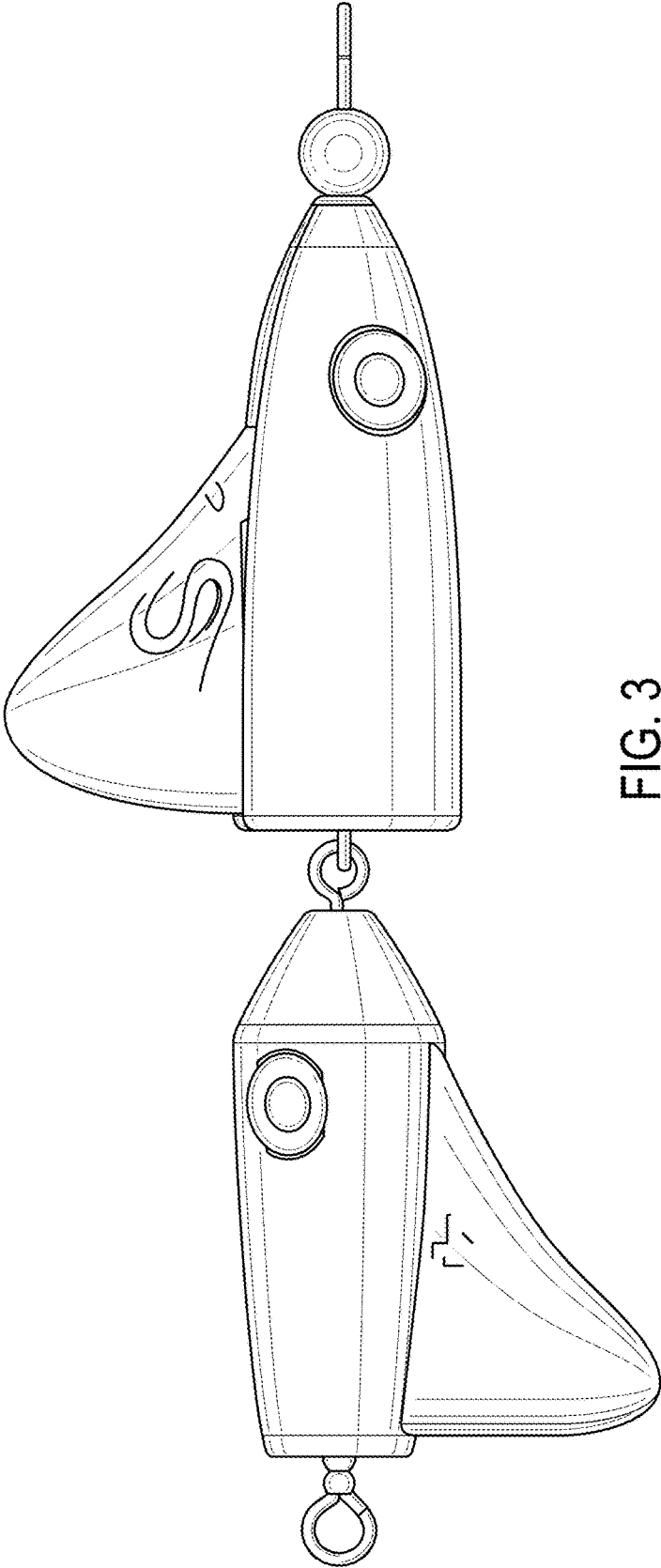


FIG. 3

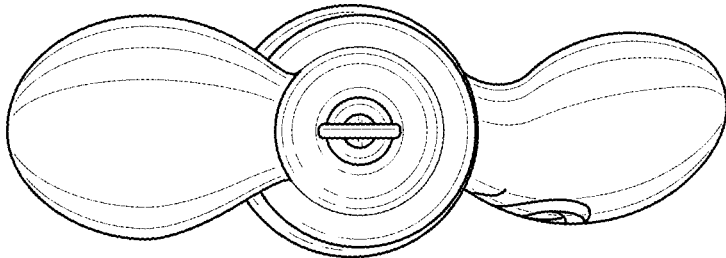


FIG. 5

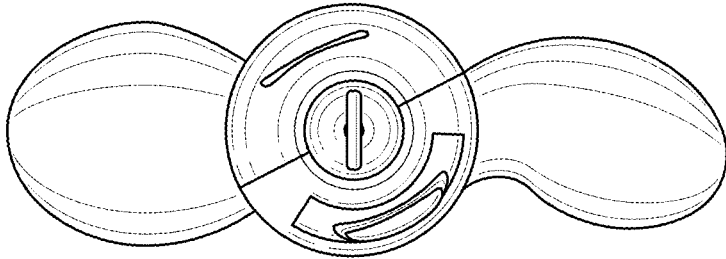


FIG. 4

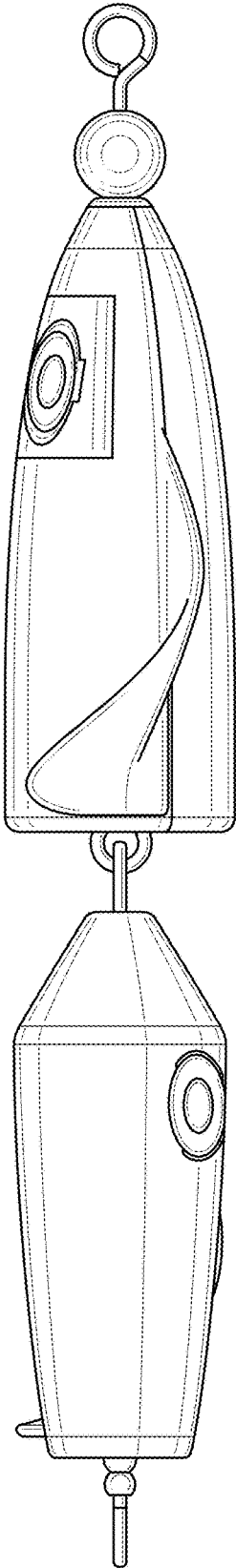


FIG. 6

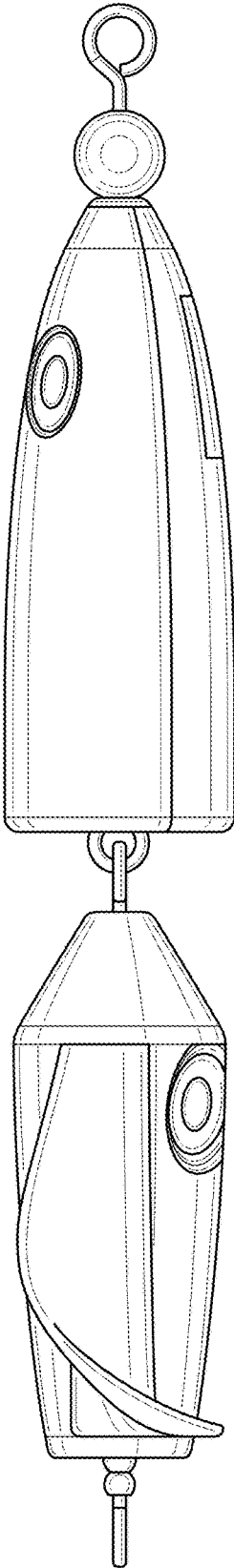


FIG. 7

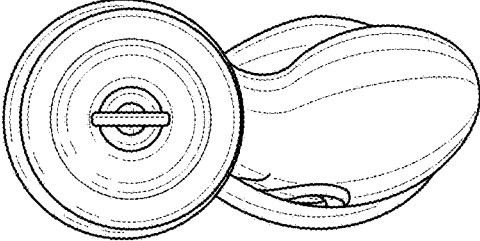
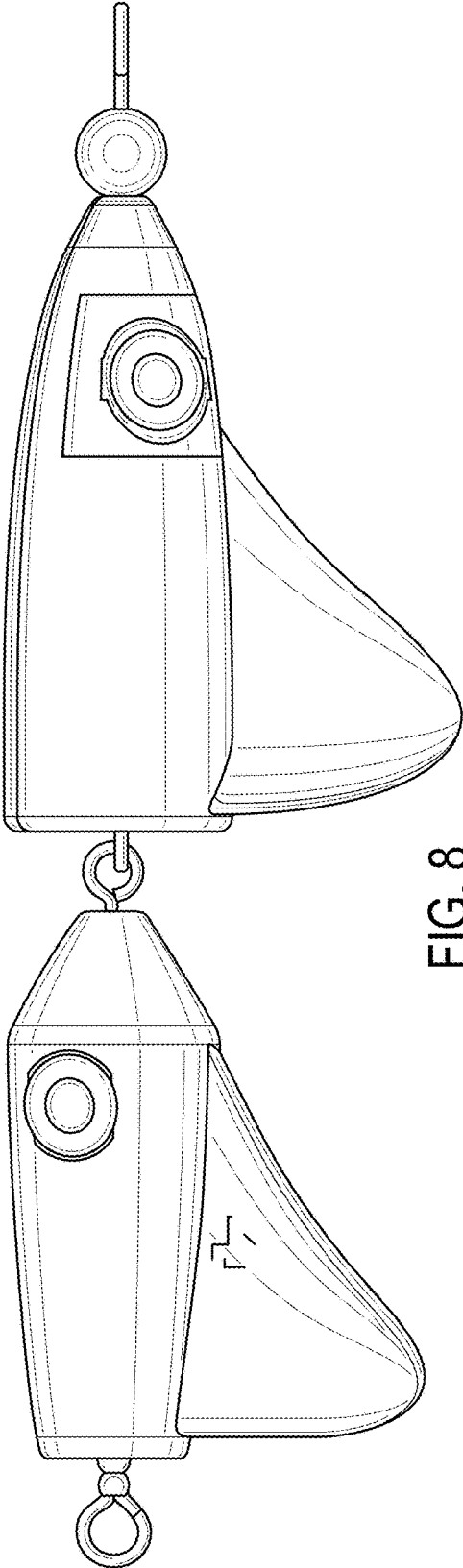


FIG. 9