



US00D785394S

(12) **United States Design Patent**
Palermo et al.

(10) **Patent No.:** **US D785,394 S**

(45) **Date of Patent:** **** May 2, 2017**

- (54) **HOT BEVERAGE APPLIANCE**
- (71) Applicant: **Sunbeam Products, Inc.**, Boca Raton, FL (US)
- (72) Inventors: **Joseph Palermo**, Boynton Beach, FL (US); **Augusto A. Picozza**, Boca Raton, FL (US); **Sandra Lin**, Appleton, WI (US); **Damien Vizcarra**, Pasadena, CA (US)
- (73) Assignee: **Sunbeam Products, Inc.**, Boca Raton, FL (US)
- (**) Term: **15 Years**

D317,546 S *	6/1991	Rakocy	D7/309
D343,758 S *	2/1994	Beeren	D7/309
5,335,589 A *	8/1994	Yerves, Jr.	A47G 19/14 215/6
D387,245 S *	12/1997	Hippen	D7/309
D511,066 S *	11/2005	Garner	D7/309
D604,985 S *	12/2009	Taylor	D7/309
D670,132 S *	11/2012	De'Longhi	D7/309
D720,567 S *	1/2015	Cauwood	D7/306
D721,911 S *	2/2015	Cauwood	D7/306
D738,152 S *	9/2015	Grasselli	D7/309
D739,169 S *	9/2015	Shao	D7/309
D760,008 S *	6/2016	Moon	D7/306
D774,348 S *	12/2016	Veeravagu	D7/306
D774,820 S *	12/2016	Yang	D7/306
D777,499 S *	1/2017	McConnell	D7/309

* cited by examiner

(21) Appl. No.: **29/556,349**

Primary Examiner — Marianne Pandozzi

(22) Filed: **Feb. 29, 2016**

(74) *Attorney, Agent, or Firm* — Michael J. Corrigan

(51) **LOC (10) Cl.** **07-01**

(57) **CLAIM**

(52) **U.S. Cl.**
USPC **D7/306; D7/311; D7/309**

The ornamental design for a hot beverage appliance, as shown and described.

(58) **Field of Classification Search**
USPC D7/305-311, 313; D15/82; 222/129.1, 222/146.6; 99/295
CPC A47J 31/44; A47J 31/4403; A47J 31/46; B67D 1/36; B67D 2210/0065; B67D 1/0864
See application file for complete search history.

DESCRIPTION

FIG. 1 is a front perspective view of a hot beverage appliance showing our new design;
 FIG. 2 is a front view thereof;
 FIG. 3 is a rear view thereof;
 FIG. 4 is a left side view thereof;
 FIG. 5 is a right side view thereof; and,
 FIG. 6 is a top plan view thereof.
 The broken lines in the drawing depict portions of the hot beverage appliance that form no part of the claimed design.

(56) **References Cited**

U.S. PATENT DOCUMENTS

D239,758 S *	5/1976	Claxton et al.	D7/309
4,748,901 A *	6/1988	Burmeister	A47J 31/0573 99/295

1 Claim, 3 Drawing Sheets

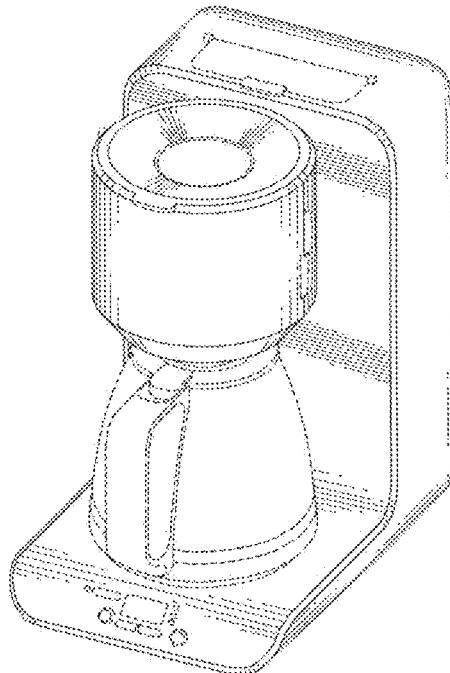


FIG. 1

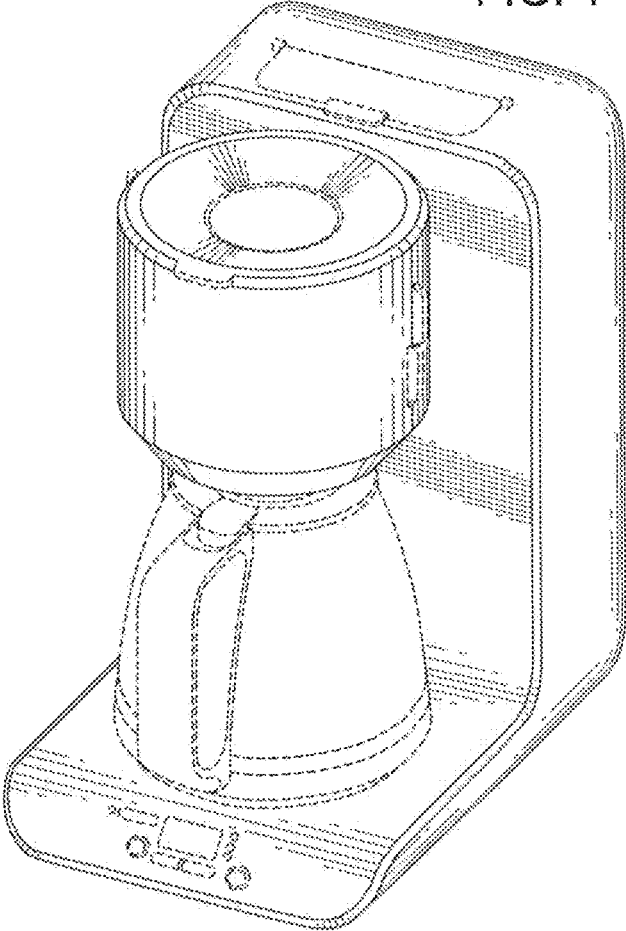


FIG. 6

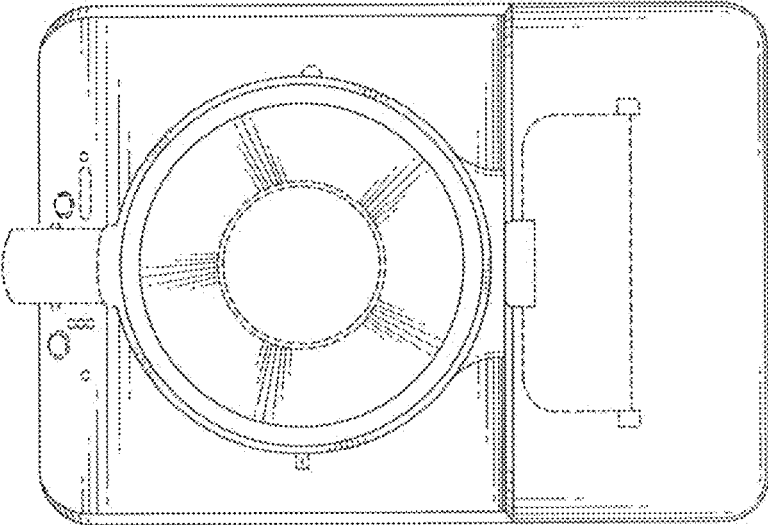


FIG. 3

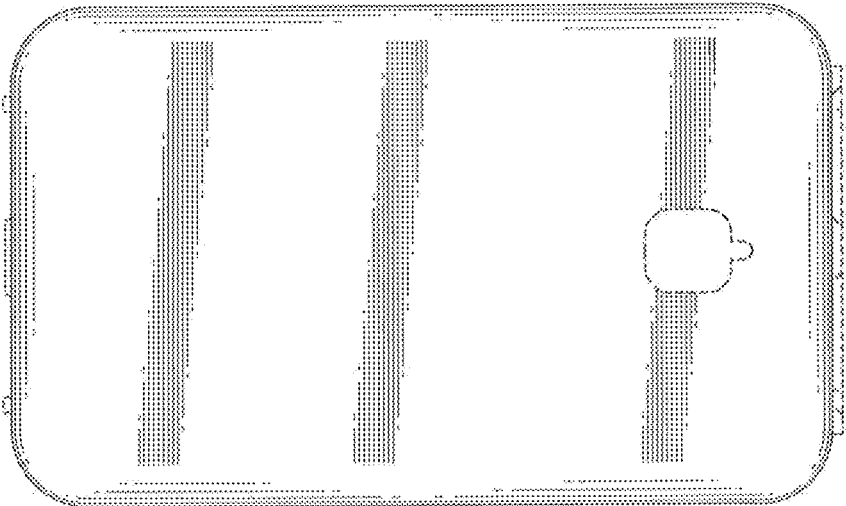


FIG. 2

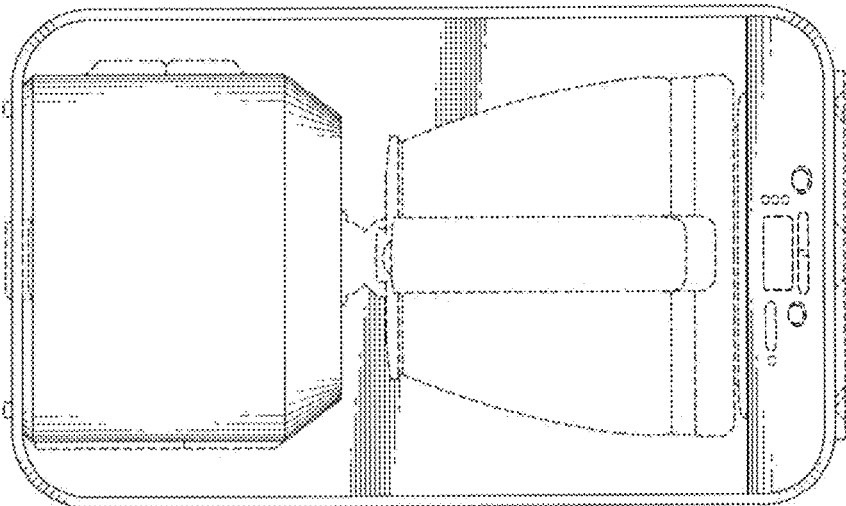


FIG. 5

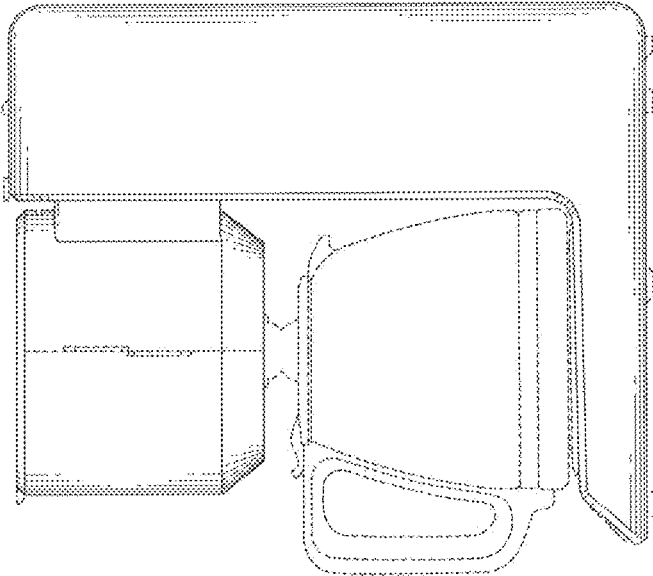


FIG. 4

