

(19) World Intellectual Property Organization
International Bureau



(43) International Publication Date
1 November 2007 (01.11.2007)

PCT

(10) International Publication Number
WO 2007/123647 A3

(51) International Patent Classification:

G01R 31/02 (2006.01) **G01R 31/28** (2006.01)
G01R 31/26 (2006.01)

(21) International Application Number:

PCT/US2007/007866

(22) International Filing Date: 28 March 2007 (28.03.2007)

(25) Filing Language: English

(26) Publication Language: English

(30) Priority Data:

60/786,928 28 March 2006 (28.03.2006) US
11/729,039 27 March 2007 (27.03.2007) US

(71) Applicant and

(72) Inventor: **JOHNSON, Morgan, T.** [US/US]; 401 N. Tomahawk Island Drive, Portland, OR 97217 (US).

(74) Agent: **WERNER, Raymond, J.**; 2056 NW Aloclek Drive, Suite 314, Hillsboro, OR 97124 (US).

(81) Designated States (unless otherwise indicated, for every kind of national protection available): AE, AG, AL, AM,

AT, AU, AZ, BA, BB, BG, BH, BR, BW, BY, BZ, CA, CH, CN, CO, CR, CU, CZ, DE, DK, DM, DZ, EC, EE, EG, ES, FI, GB, GD, GE, GH, GM, GT, HN, HR, HU, ID, IL, IN, IS, JP, KE, KG, KM, KN, KP, KR, KZ, LA, LC, LK, LR, LS, LT, LU, LY, MA, MD, MG, MK, MN, MW, MX, MY, MZ, NA, NG, NI, NO, NZ, OM, PG, PH, PL, PT, RO, RS, RU, SC, SD, SE, SG, SK, SL, SM, SV, SY, TJ, TM, TN, TR, TT, TZ, UA, UG, US, UZ, VC, VN, ZA, ZM, ZW.

(84) Designated States (unless otherwise indicated, for every kind of regional protection available): ARIPO (BW, GH, GM, KE, LS, MW, MZ, NA, SD, SL, SZ, TZ, UG, ZM, ZW), Eurasian (AM, AZ, BY, KG, KZ, MD, RU, TJ, TM), European (AT, BE, BG, CH, CY, CZ, DE, DK, EE, ES, FI, FR, GB, GR, HU, IE, IS, IT, LT, LU, LV, MC, MT, NL, PL, PT, RO, SE, SI, SK, TR), OAPI (BF, BJ, CF, CG, CI, CM, GA, GN, GQ, GW, ML, MR, NE, SN, TD, TG).

Declaration under Rule 4.17:

— of inventorship (Rule 4.17(iv))

Published:

— with international search report

[Continued on next page]

(54) Title: DESKTOP WAFER ANALYSIS STATION

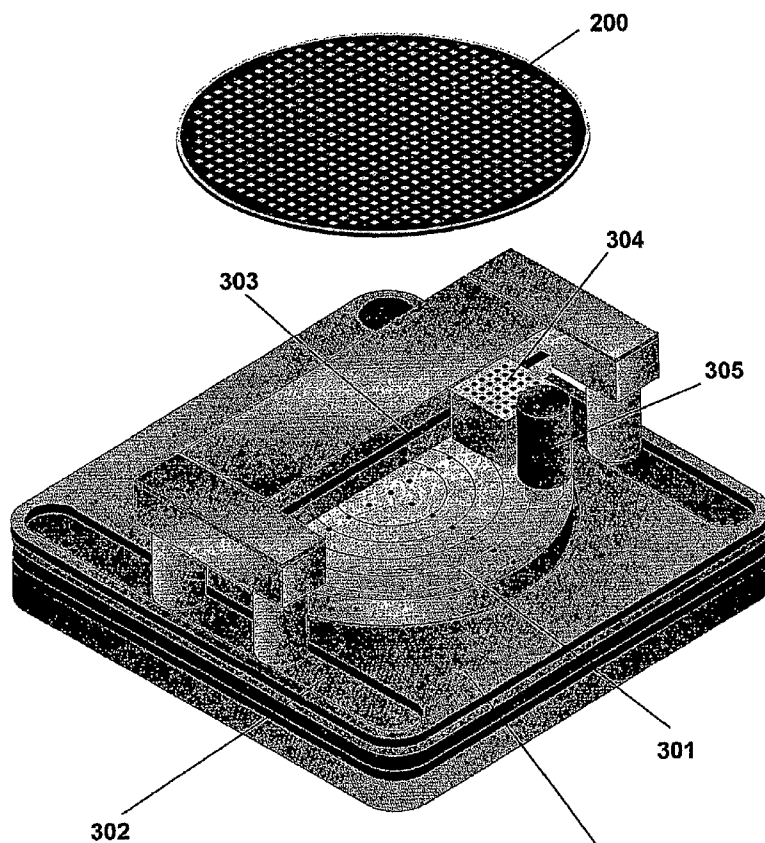


Fig. 3

(57) Abstract: A small-footprint wafer analysis, or test station (300), suitable for personal or desktop use, includes a chuck (301) mounted upon a base, an x-y motion mechanism (303) slidably attached to the base, a contact array carrier (304) slidably attached to the x-y motion mechanism (303), and an optical alignment mechanism (305) attached to the contact array carrier (304).



WO 2007/123647 A3



— *before the expiration of the time limit for amending the claims and to be republished in the event of receipt of amendments*

(88) Date of publication of the international search report:
25 September 2008

INTERNATIONAL SEARCH REPORT

International application No.

PCT/US07/07866

A. CLASSIFICATION OF SUBJECT MATTER

IPC: G01R 31/02(2006.01),31/26(2006.01),31/28(2006.01)

USPC: 324/754-765,158.1

According to International Patent Classification (IPC) or to both national classification and IPC

B. FIELDS SEARCHED

Minimum documentation searched (classification system followed by classification symbols)
U.S. : 324/754-765, 158.1

Documentation searched other than minimum documentation to the extent that such documents are included in the fields searched

Electronic data base consulted during the international search (name of data base and, where practicable, search terms used)
Please See Continuation Sheet

C. DOCUMENTS CONSIDERED TO BE RELEVANT

Category *	Citation of document, with indication, where appropriate, of the relevant passages	Relevant to claim No.
Y	US 5,835,997 A (YASSINE) 10 NOVEMBER 1998 (10.11.1998), column 5, line 31- column 7, line 7.	1-2, 4-6, 8-10, 12-15
Y	US 5,539,324 A (WOOD et al) 23 JULY 1996 (23.07.1996), column 6, lines 55-63.	1-2, 4-6, 8-10, 12-15

Further documents are listed in the continuation of Box C.

See patent family annex.

* Special categories of cited documents:

"A"	document defining the general state of the art which is not considered to be of particular relevance	"T"	later document published after the international filing date or priority date and not in conflict with the application but cited to understand the principle or theory underlying the invention
"E"	earlier application or patent published on or after the international filing date	"X"	document of particular relevance; the claimed invention cannot be considered novel or cannot be considered to involve an inventive step when the document is taken alone
"L"	document which may throw doubts on priority claim(s) or which is cited to establish the publication date of another citation or other special reason (as specified)	"Y"	document of particular relevance; the claimed invention cannot be considered to involve an inventive step when the document is combined with one or more other such documents, such combination being obvious to a person skilled in the art
"O"	document referring to an oral disclosure, use, exhibition or other means	"&"	document member of the same patent family
"P"	document published prior to the international filing date but later than the priority date claimed		

Date of the actual completion of the international search
18 June 2008 (18.06.2008)

Date of mailing of the international search report

25 JUL 2008

Name and mailing address of the ISA/US
Mail Stop PCT, Attn: ISA/US
Commissioner for Patents
P.O. Box 1450
Alexandria, Virginia 22313-1450
Facsimile No. (571) 273-3201

Authorized officer
Jermele M. Hollington
Jermele M. Hollington
Telephone No. (571) 272-1850