

(19) World Intellectual Property Organization
International Bureau



(43) International Publication Date
4 January 2007 (04.01.2007)

PCT

(10) International Publication Number
WO 2007/002471 A3

(51) International Patent Classification:
A63B 22/06 (2006.01)

(21) International Application Number:
PCT/US2006/024585

(22) International Filing Date: 23 June 2006 (23.06.2006)

(25) Filing Language: English

(26) Publication Language: English

(30) Priority Data:
60/693,061 23 June 2005 (23.06.2005) US
11/472,992 23 June 2006 (23.06.2006) US

(71) Applicant (for all designated States except US): DNA
DIGITAL MEDIA GROUP [US/US]; 1230 West Wash-
ington, Chicago, IL 60607 (US).

(72) Inventor; and

(75) Inventor/Applicant (for US only): TOMES, Christopher
[US/US]; 845 North May Street, Chicago, IL 60622 (US).

(74) Agent: LINK, Jonathan, D.; McGuireWoods LLP, 1750
Tysons Boulevard, Suite 1800, McLean, VA 22102 (US).

(81) Designated States (unless otherwise indicated, for every
kind of national protection available): AE, AG, AL, AM,

AT, AU, AZ, BA, BB, BG, BR, BW, BY, BZ, CA, CH, CN,
CO, CR, CU, CZ, DE, DK, DM, DZ, EC, EE, EG, ES, FI,
GB, GD, GE, GH, GM, HN, HR, HU, ID, IL, IN, IS, JP,
KE, KG, KM, KN, KP, KR, KZ, LA, LC, LK, LR, LS, LT,
LU, LV, LY, MA, MD, MG, MK, MN, MW, MX, MZ, NA,
NG, NI, NO, NZ, OM, PG, PH, PL, PT, RO, RS, RU, SC,
SD, SE, SG, SK, SL, SM, SY, TJ, TM, TN, TR, TT, TZ,
UA, UG, US, UZ, VC, VN, ZA, ZM, ZW.

(84) Designated States (unless otherwise indicated, for every
kind of regional protection available): ARIPO (BW, GH,
GM, KE, LS, MW, MZ, NA, SD, SL, SZ, TZ, UG, ZM,
ZW), Eurasian (AM, AZ, BY, KG, KZ, MD, RU, TJ, TM),
European (AT, BE, BG, CH, CY, CZ, DE, DK, EE, ES, FI,
FR, GB, GR, HU, IE, IS, IT, LT, LU, LV, MC, NL, PL, PT,
RO, SE, SI, SK, TR), OAPI (BF, BJ, CF, CG, CI, CM, GA,
GN, GQ, GW, ML, MR, NE, SN, TD, TG).

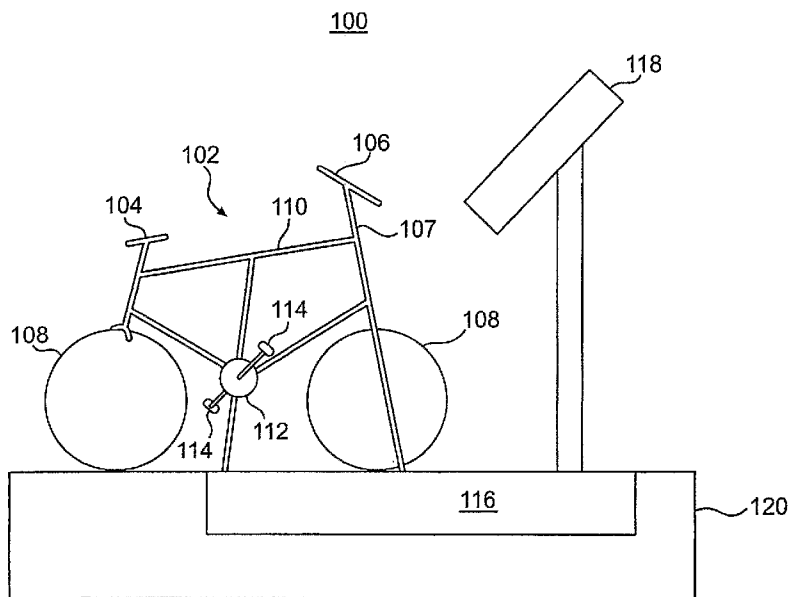
Published:

- with international search report
- before the expiration of the time limit for amending the claims and to be republished in the event of receipt of amendments

(88) Date of publication of the international search report:
15 March 2007

For two-letter codes and other abbreviations, refer to the "Guidance Notes on Codes and Abbreviations" appearing at the beginning of each regular issue of the PCT Gazette.

(54) Title: STATIONARY VIRTUAL CYCLE SYSTEM AND METHOD FOR OPERATING THE SAME



(57) Abstract: The invention is directed generally to a method and apparatus for providing a stationary cycle, and more particularly to methods and devices for providing a user, such as a child, with a stationary cycle to navigate through a virtual world displayed to the user. More specifically, the invention allows a user to navigate within a virtual world by controlling a stationary cycle, thereby combining the interaction of a video game environment with the exercise afforded on a cycle. The user pedaling the cycle and controlling the handle bars. Based on these actions, the user can control navigation within the virtual world.

WO 2007/002471 A3

INTERNATIONAL SEARCH REPORT

International application No.

PCT/US06/24585

A. CLASSIFICATION OF SUBJECT MATTER IPC(8) - (2006.01) - A63B 22/06 USPC - 482/57 According to International Patent Classification (IPC) or to both national classification and IPC		
B. FIELDS SEARCHED Minimum documentation searched (classification system followed by classification symbols) IPC(8) (2006.01) - A63B 22/00, 22/06, 21/002, 71/00 USPC - 482/52, 57, 92, 94, 901, 8, 9 Documentation searched other than minimum documentation to the extent that such documents are included in the fields searched Electronic data base consulted during the international search (name of data base and, where practicable, search terms used) USPTO EAST System (US, USPG-PUB, EPO, DERWENT), MicroPatent, IP.com, DialogPro		
C. DOCUMENTS CONSIDERED TO BE RELEVANT		
Category*	Citation of document, with indication, where appropriate, of the relevant passages	Relevant to claim No.
X	US 6,244,988 B1 (DELMAN) 12 June 2001 (12.06.2001) columns 3-7	1-3, 6-10, 13-21
Y		5, 12
Y	US 5,027,303 A (WITTE) 25 June 1991 (25.06.1991) columns 5 and 6	5, 12
A	US 2003/0134714 A1 (OISHI et al) 17 July 2003 (17.07.2003) entire document	1-21
A	US 2002/0055422 A1 (AIRMET et al) 09 May 2002 (09.05.2002) entire document	1-21
A	US 4,637,605 A (RITCHIE) 20 January 1987 (20.01.1987) entire document	1-21
A	US 2004/0023761 A1 (EMERY) 05 February 2004 (05.02.2004) entire document	1-21
A	US 6,733,419 B2 (LIU et al) 11 May 2004 (11.05.2004) entire document	1-21
A	US 6,908,416 B2 (MERCADO et al) 21 June 2005 (21.06.2005) entire document	1-21
A, P	US 2005/0170934 A1 (MYLES, SR et al) 04 August 2005 (04.08.2005) entire document	1-21
A, P	US 7,044,891 B1 (RIVERA) 16 May 2006 (16.05.2006) entire document	1-21
<input type="checkbox"/> Further documents are listed in the continuation of Box C. <input type="checkbox"/>		
<p>* Special categories of cited documents:</p> <p>"A" document defining the general state of the art which is not considered to be of particular relevance</p> <p>"E" earlier application or patent but published on or after the international filing date</p> <p>"L" document which may throw doubts on priority claim(s) or which is cited to establish the publication date of another citation or other special reason (as specified)</p> <p>"O" document referring to an oral disclosure, use, exhibition or other means</p> <p>"P" document published prior to the international filing date but later than the priority date claimed</p> <p>"T" later document published after the international filing date or priority date and not in conflict with the application but cited to understand the principle or theory underlying the invention</p> <p>"X" document of particular relevance; the claimed invention cannot be considered novel or cannot be considered to involve an inventive step when the document is taken alone</p> <p>"Y" document of particular relevance; the claimed invention cannot be considered to involve an inventive step when the document is combined with one or more other such documents, such combination being obvious to a person skilled in the art</p> <p>"&" document member of the same patent family</p>		
Date of the actual completion of the international search 12 November 2006		Date of mailing of the international search report 10 JAN 2007
Name and mailing address of the ISA/US Mail Stop PCT, Attn: ISA/US, Commissioner for Patents P.O. Box 1450, Alexandria, Virginia 22313-1450 Facsimile No. 571-273-3201		Authorized officer: Blaine R. Copenheaver PCT Helpdesk: 571-272-4300 PCT OSP: 571-272-7774