



US00D594937S

(12) **United States Design Patent**
Price et al.

(10) **Patent No.:** **US D594,937 S**

(45) **Date of Patent:** **** Jun. 23, 2009**

(54) **SWIVEL THREADED END MALE SEWER FITTING**

(75) Inventors: **Clay D. Price**, Stokesdale, NC (US);
Jeffrey R. Russell, Winston Salem, NC (US)

(73) Assignee: **Camco Manufacturing, Inc.**, Greensboro, NC (US)

(**) Term: **14 Years**

(21) Appl. No.: **29/310,971**

(22) Filed: **Sep. 22, 2008**

(51) **LOC (9) Cl.** **23-01**

(52) **U.S. Cl.** **D23/259**

(58) **Field of Classification Search** D23/259-269;
285/7, 177, 394-395, 903, 307, 358, 179-183,
285/423; 292/58-59; 137/15.08, 590; 123/514
See application file for complete search history.

(56) **References Cited**

U.S. PATENT DOCUMENTS

549,733 A	11/1895	Limbert	
3,078,109 A	2/1963	Jackson et al.	
3,785,682 A	1/1974	Schaller et al.	
3,899,198 A	8/1975	Maroschak	
4,174,858 A	11/1979	Brooks	
4,660,860 A	4/1987	Tood	
D479,585 S *	9/2003	Mulligan et al.	D23/262
D508,980 S *	8/2005	Bigelow	D23/262

D564,076 S	3/2008	Brockington et al.	
D564,637 S	3/2008	Brockington et al.	
D565,707 S *	4/2008	Brockington et al.	D23/262
2005/0184523 A1 *	8/2005	Stravitz	285/903

OTHER PUBLICATIONS

Pending U.S. Appl. No. 29/307,287, filed Apr. 10, 2008 of Clay D. Price, et al.

* cited by examiner

Primary Examiner—T. Chase Nelson
Assistant Examiner—Eric L. Goodman

(57) **CLAIM**

The ornamental design for a swivel threaded end male sewer fitting, as shown and described.

DESCRIPTION

FIG. 1 is a left, front top perspective view of a swivel threaded end male sewer fitting embodying our design;

FIG. 2 is a left, rear top perspective view of the same invention in FIG. 1;

FIG. 3 is a left side elevational view thereof;

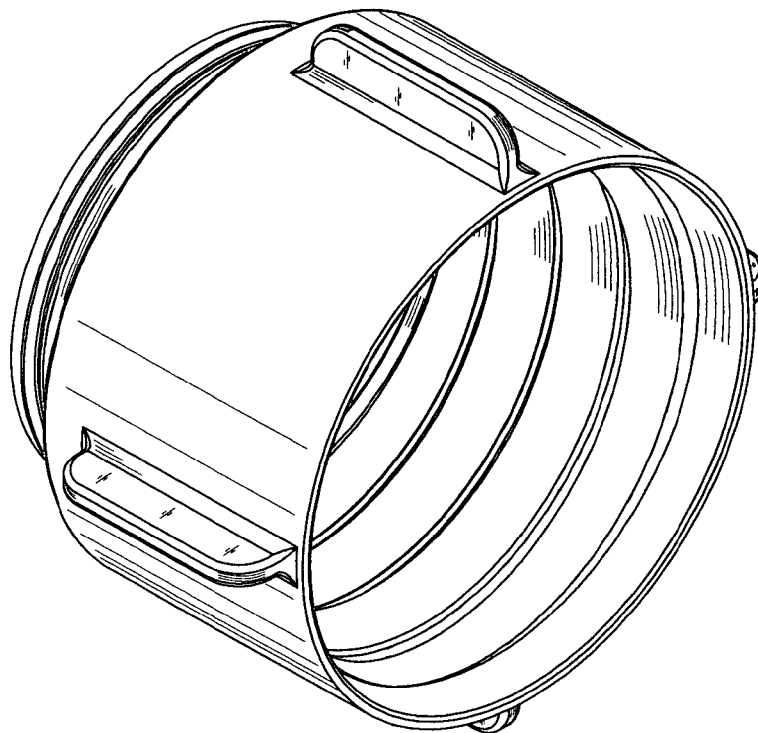
FIG. 4 is a right side elevational view thereof;

FIG. 5 is a front side elevational view thereof;

FIG. 6 is a rear side elevational view thereof; and,

FIG. 7 is a top plan view thereof, the bottom plan view being a mirror image.

1 Claim, 4 Drawing Sheets



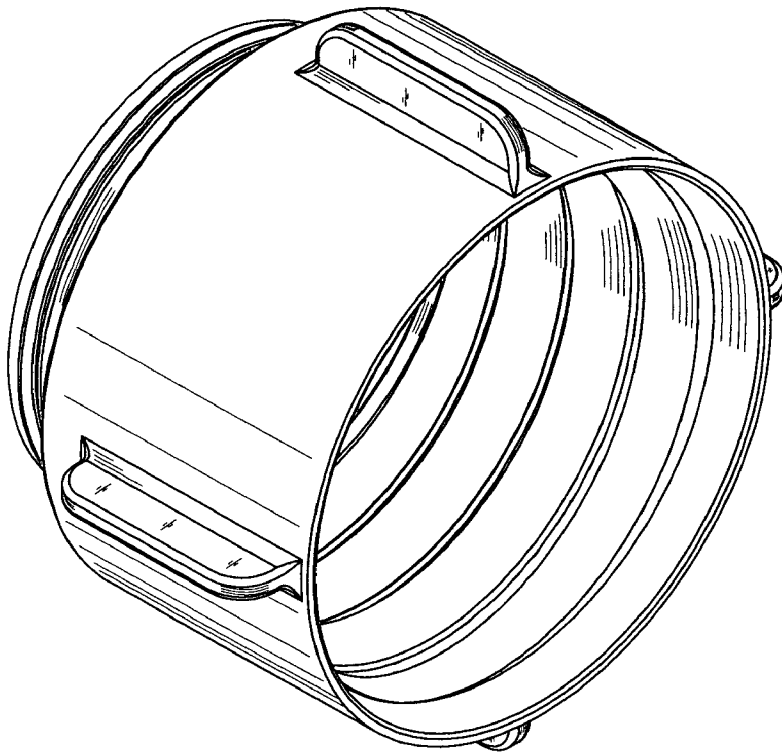


FIG. 1

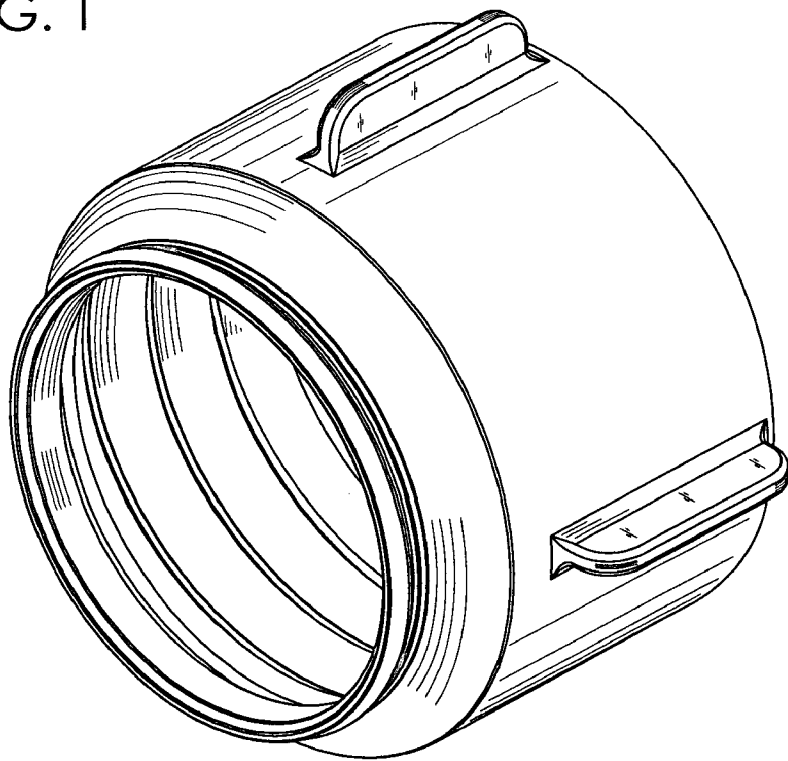


FIG. 2

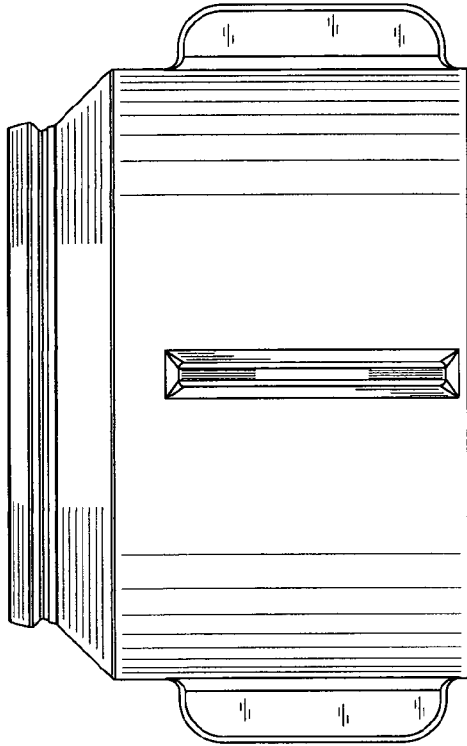


FIG. 3

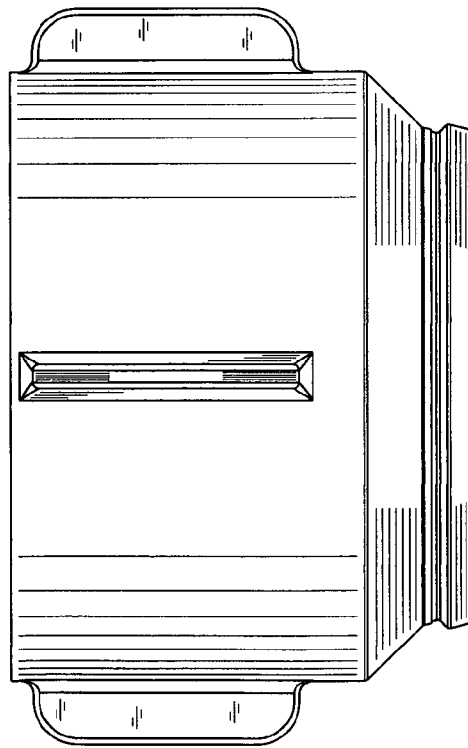


FIG. 4

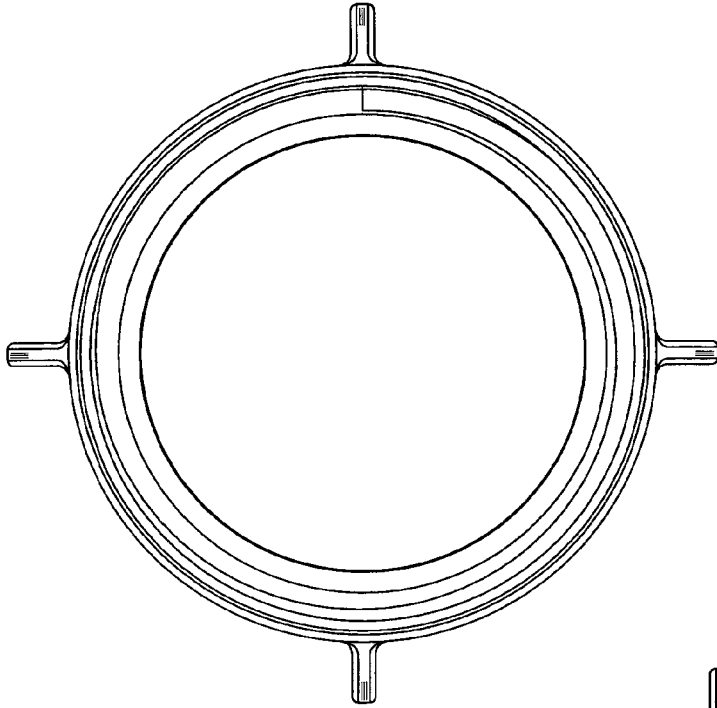


FIG. 5

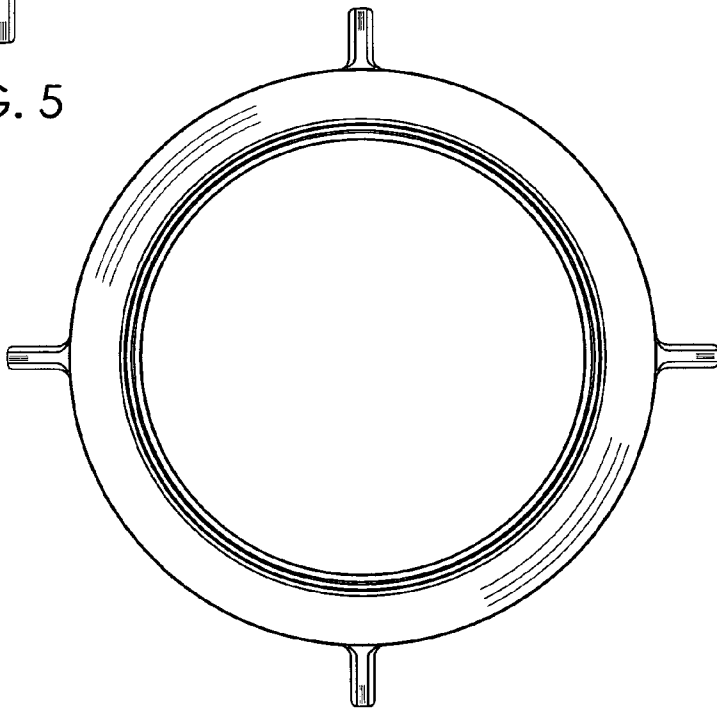


FIG. 6

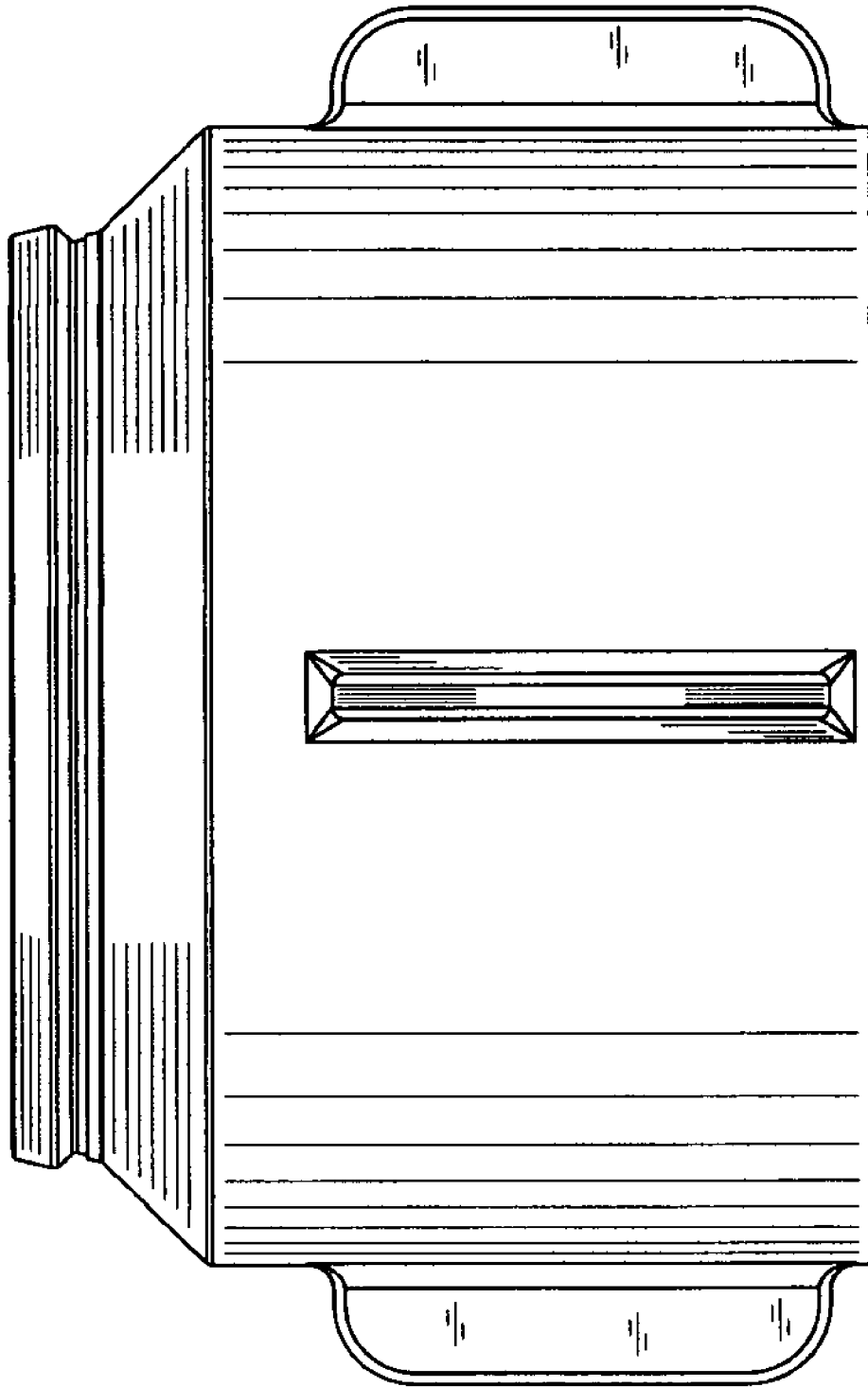


FIG. 7