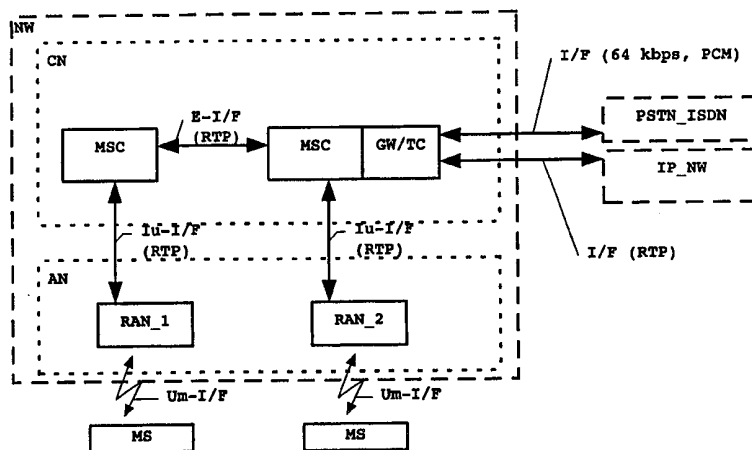




INTERNATIONAL APPLICATION PUBLISHED UNDER THE PATENT COOPERATION TREATY (PCT)

<p>(51) International Patent Classification ⁷ : H04Q 7/24</p>	<p>A1</p>	<p>(11) International Publication Number: WO 00/54526 (43) International Publication Date: 14 September 2000 (14.09.00)</p>
<p>(21) International Application Number: PCT/EP99/01615 (22) International Filing Date: 8 March 1999 (08.03.99) (71) Applicant (for all designated States except US): NOKIA NETWORKS OY [FI/FI]; P.O. Box 300, FIN-00045 Nokia Group (FI). (72) Inventor; and (75) Inventor/Applicant (for US only): SUVANEN, Jyri [FI/FI]; Nokia Networks Oy, P.O. Box 320, FIN-00045 Nokia Group (FI). (74) Agents: GRILL, Matthias et al.; Tiedtke-Büthling-Kinne et al, Bavariaring 4, D-80336 München (DE).</p>	<p>(81) Designated States: AL, AM, AT, AU, AZ, BA, BB, BG, BR, BY, CA, CH, CN, CU, CZ, DE, DK, EE, ES, FI, GB, GD, GE, GH, GM, HR, HU, ID, IL, IN, IS, JP, KE, KG, KP, KR, KZ, LC, LK, LR, LS, LT, LU, LV, MD, MG, MK, MN, MW, MX, NO, NZ, PL, PT, RO, RU, SD, SE, SG, SI, SK, SL, TJ, TM, TR, TT, UA, UG, US, UZ, VN, YU, ZW, ARIPO patent (GH, GM, KE, LS, MW, SD, SL, SZ, UG, ZW), Eurasian patent (AM, AZ, BY, KG, KZ, MD, RU, TJ, TM), European patent (AT, BE, CH, CY, DE, DK, ES, FI, FR, GB, GR, IE, IT, LU, MC, NL, PT, SE), OAPI patent (BF, BJ, CF, CG, CI, CM, GA, GN, GW, ML, MR, NE, SN, TD, TG).</p> <p>Published With international search report.</p>	

(54) Title: TRANSMISSION METHOD IN A MOBILE COMMUNICATION SYSTEM



(57) Abstract

The present invention proposes a transmission method for transmitting data in a telecommunication network (NW), said telecommunication network comprising at least one access network (RAN) adapted to transmit data to/from at least one terminal device (MS) and a core network (CN, MSC, GW/TC), which are connected to each other via a first interface (Iu), wherein said data are exchanged via said first interface (Iu) using a real-time transfer protocol (RTP). Preferably, said real-time transfer protocol complies with ITU-T H.225 and ITU-T H.323 Recommendations. Consequently, transmission resources available on said first interface can be effectively and economically used, since the RTP protocol conforming to ITU-T H.323 Recommendation is adapted to handle discontinuous transmission. Moreover, interoperability of the radio telecommunication network with an Internet protocol based network can be improved, since the gateway functionality can significantly be reduced due to data being transmitted between the telecommunication network and the Internet protocol based network being in the same data format, so that hardly any transcoding is required. The invention also proposes a corresponding telecommunication network.

FOR THE PURPOSES OF INFORMATION ONLY

Codes used to identify States party to the PCT on the front pages of pamphlets publishing international applications under the PCT.

AL	Albania	ES	Spain	LS	Lesotho	SI	Slovenia
AM	Armenia	FI	Finland	LT	Lithuania	SK	Slovakia
AT	Austria	FR	France	LU	Luxembourg	SN	Senegal
AU	Australia	GA	Gabon	LV	Latvia	SZ	Swaziland
AZ	Azerbaijan	GB	United Kingdom	MC	Monaco	TD	Chad
BA	Bosnia and Herzegovina	GE	Georgia	MD	Republic of Moldova	TG	Togo
BB	Barbados	GH	Ghana	MG	Madagascar	TJ	Tajikistan
BE	Belgium	GN	Guinea	MK	The former Yugoslav Republic of Macedonia	TM	Turkmenistan
BF	Burkina Faso	GR	Greece	ML	Mali	TR	Turkey
BG	Bulgaria	HU	Hungary	MN	Mongolia	TT	Trinidad and Tobago
BJ	Benin	IE	Ireland	MR	Mauritania	UA	Ukraine
BR	Brazil	IL	Israel	MW	Malawi	UG	Uganda
BY	Belarus	IS	Iceland	MX	Mexico	US	United States of America
CA	Canada	IT	Italy	NE	Niger	UZ	Uzbekistan
CF	Central African Republic	JP	Japan	NL	Netherlands	VN	Viet Nam
CG	Congo	KE	Kenya	NO	Norway	YU	Yugoslavia
CH	Switzerland	KG	Kyrgyzstan	NZ	New Zealand	ZW	Zimbabwe
CI	Côte d'Ivoire	KP	Democratic People's Republic of Korea	PL	Poland		
CM	Cameroon	KR	Republic of Korea	PT	Portugal		
CN	China	KZ	Kazakistan	RO	Romania		
CU	Cuba	LC	Saint Lucia	RU	Russian Federation		
CZ	Czech Republic	LI	Liechtenstein	SD	Sudan		
DE	Germany	LK	Sri Lanka	SE	Sweden		
DK	Denmark	LR	Liberia	SG	Singapore		
EE	Estonia						

TRANSMISSION METHOD IN A MOBILE COMMUNICATION SYSTEM

FIELD OF THE INVENTION

5 The present invention relates to a transmission method for transmitting data in a telecommunication network and also to a corresponding telecommunication network. Particularly, the present invention relates to such a method to be adopted in mobile telecommunication systems.

10

BACKGROUND OF THE INVENTION

In currently used mobile radio telecommunication systems such as the existing GSM system, radio resources are limited due to the limited radio spectrum available and/or reserved for such purposes. The saving of radio resources is achieved by the usage of codecs (encoding-decoding devices) which operate at low bit rates. Namely, with such low-bit-rate codecs, the transmission rate on a radio interface is reduced to / expanded from 13 kbps in current GSM systems.

Furthermore, existing mobile radio telecommunication networks like GSM networks have to co-operate with existing public switched telephone networks PSTN such as the currently spreading ISDN network (Integrated Services Digital Network).

However, ISDN-PSTN networks primarily use a representation for speech data of 64 kbps in pulse code modulation (PCM), while the mobile radio telecommunication network uses the above mentioned 13 kbps representation.

Hence, interoperability at an interface I/F between the two types of networks has to be provided for, which is achieved by an interworking function unit also referred to as IWF unit or gateway unit (GW).

In case a call is forwarded from the ISDN-PSTN network to a mobile station MS as a radio terminal device of the radio telecommunication network (and vice versa), a speech coding
5 functionality is required on both sides, i.e. on the network side and on the terminal device side. Namely, speech data of a call forwarded from the ISDN-PSTN network have to be coded in the network side for transmission via the radio interface (air interface Um), and if speech data
10 of "an answer" are transmitted from the terminal device side, the speech data have likewise to be coded for transmission via the air interface.

Such a transmission of coded speech using time divisional
15 multiplexing (TDM) between the radio access part or access network of the telecommunication network (e.g. a base transceiver station) and a speech codec part (e.g. transcoder and/or **Transcoding Rate and Adaptation Unit** TRAU) associated to, for example, a **Mobile Services**
20 **Switching Center** MSC as a part of a core network of the telecommunication network, according to GSM, is effected using so-called TRAU frames (for details, reference is made to GSM 08.60).

25 Now, if a call is established between two terminal devices MS_A and MS_B, speech data transmitted there between are normally transcoded twice. Namely, firstly speech is encoded in the terminal device MS_A and subsequently decoded in the network. Thus, the speech data are present
30 in the 64 kbps PCM format. Thereafter, the speech is encoded again in the network for transmission to the terminal MS_B, where it is decoded upon being received.

Thus, the coding is performed twice, while such double
35 coding adversely affects the quality of transmitted speech, which of course, is undesirable.

In order to prevent such coding being performed twice (also referred to as tandem coding), the European telecommunication Standards Institute (ETSI) has standardized a feature named **Tandem Free Operation TFO**, which is specified in detail in GSM 04.53. In short, it can be said that this TFO operation is based on an in-band signaling within the speech data stream of 64 kbps.

Herein above and up to now, a description has been made with only the mobile radio telecommunication network and a PSTN network such as the ISDN-PSTN being considered.

However, in most recent times also information networks like the Internet have widely spread and offer a number of increasingly used services. Such networks are based on a so-called **Internet Protocol (IP)**. With such IP based networks, it is currently already possible to transmit speech data (either low bit-rate coded or PCM coded).

Nevertheless, the interoperability of such IP based networks with the currently existing radio telecommunication networks is rather limited and not optimal.

Interoperability between IP based networks and the currently existing (GSM based) radio telecommunication networks has been enhanced by using the above mentioned TFO method also in this respect.

However, although enhanced, this is not an optimum solution, since due to the adopted in-band signaling a connection (i.e. transmission channel) is rather slowly established and a minor speech degradation is still present.

35

Current developments are directed to so called third generation telecommunication systems, which are also

referred to as UMTS (Universal Mobile Telecommunication System) systems.

5 However, while these UMTS systems are currently under development, there are no definite standards in terms of how the interoperability between those third generation telecommunication networks and IP based networks is to be assured and/or improved in comparison to existing telecommunication networks. Also, currently there are no
10 specifications as regards the speech data transmission within a third generation network, i.e. speech transmission between a radio access network and a corresponding core network, which form together a UMTS network.

15 SUMMARY OF THE INVENTION

Hence, it is an object of the present invention to provide a method for transmitting data in a telecommunication network, and a corresponding telecommunication network,
20 which assures an improved and simplified interoperability of a telecommunication network with other networks.

According to the present invention, this object is achieved by a transmission method for transmitting data in a
25 telecommunication network, said telecommunication network comprising at least one access network adapted to transmit data to/from at least one terminal device and a core network, which are connected to each other via a first interface, wherein said data are exchanged via said first
30 interface using a real-time transfer protocol.

Preferably, said real-time transfer protocol complies with ITU-T H.225 and ITU-T H.323 Recommendations.

35 Also, according to the present invention this object is achieved by a telecommunication network, comprising at least one access network adapted to transmit data to/from

at least one terminal device via a first interface, and a core network including at least one access network control device having a gateway interworking function unit adapted to provide at least a second interface to at least one
5 other network, wherein said core network further comprises a transcoding function unit adapted to transcode said data transmitted via said first interface to data transmitted via said second interface, said transcoding function unit being combined with said gateway interworking function
10 unit.

Favorable further refinements of the present invention are defined in the dependent claims.

15 Thus, with the present invention being implemented in a UMTS (third generation) telecommunication network, improved and simplified interoperability of a telecommunication network with other networks such as ISDN-PSTN or IP based networks is assured.

20 Moreover, since all data transmission (of circuit switched services) within the third generation network is transmitted in coded format using the RTP protocol, no transcoding is required. Also, in case data are transmitted
25 to or from an IP based network, no transcoding is required, since IP based networks already adopt the real time transmission RTP protocol. Only in case data are transmitted to or from the telecommunication network from another network such as the ISDN-PSTN network, transcoding
30 is required. Therefore, the transcoding functional unit can be arranged to be provided only at the gateway unit of the telecommunication network

Thus, the gateway function to be implemented in a gateway
35 unit is almost zero, which reduces the costs of the gateway functional unit.

Furthermore, since the RTP protocol conforming to ITU-T H.323 has an inherent capability to handle discontinuous transmission (DTX), transmission resources to be utilized in the Iu interface between core network and access network
5 can be economically used.

BRIEF DESCRIPTION OF THE DRAWINGS

The present invention will be more readily understood with
10 reference to the accompanying drawings, in which

Fig. 1 schematically shows a possible architecture for a radio telecommunication network of the third generation with the present invention being implemented.
15

DETAILED DESCRIPTION OF PREFERRED EMBODIMENTS

The present invention will now be described in detail with reference to the Fig. 1 of the drawing.
20

Prior to describing the network architecture with the transmission method according to the present invention being implemented, it should be noted that two assumptions are made.
25

Firstly, it is assumed that a transcoding function or transcoding functional unit TC is located at a side of a core network CN. (This is in a way similar to currently existing systems, in which the above mentioned TRAU is
30 located closely to a mobile services switching center MSC as an access network control device.)

Secondly, the description starts from the assumption that codec devices used for coding/decoding data to be
35 transmitted on a chosen transmission medium are the same, i.e. particularly, an IP based network IP_NW and a third

generation radio telecommunication network NW use the same media codecs.

5 A telecommunication network NW such as for example a radio telecommunication network of the third generation (UMTS network) consists of an access network AN and a core network CN. The access network and the core network are interconnected by a first interface I/F also known as Iu-Interface Iu-I/F.

10

The access network AN consists of at least one radio access network unit RAN_1, RAN_2, each of which is adapted to communicate with at least one terminal device MS. Such communication is effected via a fourth interface I/F. In case of a radio telecommunication network, this interface is referred to as air interface or Um Interface Um-I/F. A radio access network unit RAN may consist for example of base transceiver devices and/or base transceiver device controller devices.

15

The core network CN consists of at least one access network control device MSC, also referred to as mobile services switching center. Furthermore, at least one access network control device is adapted to provide a gateway interworking function GW, to thereby provide at least a third interface to at least one other network. In case there are at least two access network control devices MSC, data are exchanged there between via a second interface I/F also referred to as E interface E-I/F.

20

Via the gateway function, a third interface to at least one other network is established to interoperate with such other networks. Fig. 1 shows as typical examples an interface I/F(64kbps, PCM) to an ISDN_PSTN network, as well as an interface I/F(RTP) to an Internet Protocol based network also referred to as IP network IP_NW. Although Fig. 1 shows one of such other networks only, it should be noted

25

30

that more than one network of each type can interoperate with the telecommunication network with the transmission method according to the present invention being implemented. Also, the IP based network IP_NW can be the
5 Internet, but also an Intranet.

Moreover, as shown in Fig. 1, an access network control device MSC adapted to provide said gateway interworking function GW is additionally adapted to perform a
10 transcoding TC between data present in the pulse code modulated data format and the data present in the real-time transfer protocol format.

According to the present invention, a transmission method
15 is implemented in such a network, according to which speech and other circuit switched services such as audio and video services is transmitted in the first interface Iu-I/F between the access network AN (or a radio access network unit RAN) and the core network CN (or an access network
20 control device MSC) using a real time protocol RTP as a framing method in this interface.

Preferably, the RTP protocol complies with ITU-T H.225 and ITU-T H.323 Recommendations. (ITU-T H.225 recommendation
25 specifies multiplexing for services on local area networks (LANs) without guaranteed quality of service (QoS); ITU-T H.323 recommendation specifies visual telephone systems and equipment for local area networks (LANs) without guaranteed quality of service (QoS).)

30

This can be done, since some kind of frame and control protocol is required anyway for the Iu interface Iu-I/F. Hence, the RTP protocol can be used for this purpose. In consequence, the access network AN and/or an access network
35 unit RAN_1, RAN_2 can be regarded as representing a so-called H.323 terminal to the core network CN. Furthermore, the H.323 protocol provides an inherent capability to

handle discontinuous transmission. Hence, transmission resources that are utilized in the interface Iu-I/F can be used economically.

- 5 Furthermore, also data transmitted on the interface E-I/F between respective access network control devices MSC are, according to the present invention, transmitted using the RTP format.
- 10 Fig. 1 illustrates a case in which the RTP connections are terminated in the radio access network units RAN_1, RAN_2, respectively, so that the data transmission using the RTP protocol is not used up to the terminal devices MS. Nevertheless, RTP as a transmission method could be easily
15 adapted to be used for mobile stations as the terminal devices MS, too. Then, a terminal MS would represent a H.323 terminal with a circuit switched bearer, and RTP transmission would also be used for transmission over the air interface Um-I/F.
- 20 Also, not only the RTP protocol could be used, but also the RTCP (**R**eal-time **T**ransmission **C**ontrol **P**rotocol) could be used.
- 25 Now, the network's NW architecture and the adopted transmission methods on the respectively existing interfaces have been described so far. Thus, the different types of possible calls or data transmissions which may occur are described, together with the advantages resulting
30 from the transmission method of the present invention being implemented.

Firstly, a call from a terminal MS to another terminal MS is considered (MS-MS-call). In such a case, all calls,
35 requiring real-time processing, are handled within the network NW and are transmitted via the respective interface (Iu-I/F, E-I/F) in coded format using the RTP protocol

implemented for these interfaces. Thus, no transcoding is required.

Secondly, a call to/from a terminal device MS to a terminal
5 (not shown in Fig. 1) associated to another network is considered (non-MS-MS-call). In such a case, the respective call is routed from/to the terminal MS via the network NW through at least the access network control device MSC which is provided with the gateway GW / transcoding TC
10 function to/from the external network such as the illustrated ISDN_PSTN network or IP network IP_NW. Thus, the transcoder functionality can be combined with the gateway function.

15 Furthermore, if in this case a call is established to/from a terminal device MS from/to the IP network, there is in addition no need to implement the RTP protocol in the gateway, i.e. to perform a protocol adaptation at the interface to the IP network IP_NW, since the call
20 originating/terminating from/to the telecommunication network NW of the so-called third generation is already present in the RTP format. In conjunction with the above second assumption, this means that the gateway
functionality between an IP based network IP_NW and the
25 telecommunication network NW could be negligible and be regarded as being almost zero for this type of calls.

Thus, as described herein before, according to the present invention the RTP protocol can be effectively used for
30 circuit switched services in the Iu interface as well as in the E-interface within a third generation telecommunication network. Also, a transcoding functionality and a gateway functionality can be implemented in an integrated manner at an access network control device such as an gateway MSC.
35 The main advantages resulting from the transmission method as proposed by the present invention reside in that tandem free operations (TFO operations) can be easily established,

with the transcoder device or transcoding functionality being located in the core network CN.

Also, due to the present invention, the interoperability of
5 telecommunication networks NW particularly with Internet Protocol based IP networks IP_NW is significantly enhanced.

The present invention proposes a transmission method for
transmitting data in a telecommunication network NW, said
10 telecommunication network comprising at least one access network RAN adapted to transmit data to/from at least one terminal device MS and a core network CN, MSC, GW/TC, which are connected to each other via a first interface Iu, wherein said data are exchanged via said first interface Iu
15 using a real-time transfer protocol RTP. Preferably, said real-time transfer protocol complies with ITU-T H.225 and ITU-T H.323 Recommendations. Consequently, transmission resources available on said first interface can be effectively and economically used, since the RTP protocol
20 conforming to ITU-T H.323 Recommendation is adapted to handle discontinuous transmission. Moreover, interoperability of the radio telecommunication network with an Internet protocol based network can be improved, since the gateway functionality can significantly be
25 reduced due to data being transmitted between the telecommunication network and the Internet protocol based network being in the same data format, so that hardly any transcoding is required. The invention also proposes a corresponding telecommunication network.

30

It should be understood that the above description and accompanying figures are merely intended to illustrate the present invention by way of example only. The preferred embodiments of the present invention may thus vary within
35 the scope of the attached claims.

CLAIMS

1. A transmission method for transmitting data in a
5 telecommunication network (**NW**), said telecommunication
network comprising at least one access network (**AN**, **RAN_1**;
RAN_2) adapted to transmit data to/from at least one
terminal device (**MS**) and a core network (**CN**, **MSC**, **GW/TC**),
10 which are connected to each other via a first interface
(**Iu**), wherein said data are exchanged via said first
interface (**Iu**) using a real-time transfer protocol (**RTP**).
2. A transmission method according to claim 1, wherein said
real-time transfer protocol complies with ITU-T H.225 and
15 ITU-T H.323 Recommendations.
3. A transmission method according to claim 1, wherein said
data transmitted are data of circuit switched services.
- 20 4. A transmission method according to claim 3, wherein said
data comprise speech data.
5. A transmission method according to claim 3, wherein said
data comprise audio and video data.
25
6. A transmission method according to claim 1 or 2, wherein
said core network (**CN**) comprises at least two access
network control devices (**MSC**) interconnected via a second
interface (**E**), and data are exchanged via said second
30 interface (**Iu**) using said real-time transfer protocol
(**RTP**).
7. A transmission method according to claim 1 or 2, wherein
said core network (**CN**) comprises at least one access
35 network control device (**MSC**) adapted to provide a gateway
interworking function (**GW**), to thereby provide at least a

third interface to at least one other network (**IP-NW, PSTN-
ISDN**).

5 8. A transmission method according to claim 7, wherein said
at least one other network (**IP-NW**) is operated based on an
Internet Protocol (**IP**), and data are exchanged via said
third interface (**I/F(RTP)**) using said real-time transfer
protocol (**RTP**).

10 9. A transmission method according to claim 7, wherein said
at least one other network (**PSTN-ISDN**) is operated
according to an ISDN protocol, and data are exchanged on
said third interface in a pulse code modulated data format
(**PCM**), and said access network control device (**MSC**) adapted
15 to provide said gateway interworking function (**GW**) is
additionally adapted to perform a transcoding (**TC**) between
data present in the pulse code modulated data format and
the data present in the real-time transfer protocol format.

20 10. A transmission method according to claim 1, wherein
said telecommunication network is a radio telecommunication
network.

25 11. A transmission method according to claim 1, wherein
data are transmitted between said at least one access
network (**AN, RAN_1, RAN_2**) and said at least one terminal
device (**MS**) via a fourth interface (**Um**) using said real-
time transfer protocol (**RTP**).

30 12. A telecommunication network (**NW**), comprising
at least one access network (**AN, RAN_1; RAN_2**) adapted
to transmit data to/from at least one terminal device (**MS**)
via a first interface (**Um-I/F**), and
a core network (**CN, MSC, GW/TC**) including at least one
35 access network control device (**MSC, GW/TC**) having a gateway
interworking function unit (**GW**) adapted to provide at least

a second interface (**I/F**) to at least one other network (**IP-NW, PSTN-ISDN**), wherein said core network further comprises a transcoding function unit (**TC**) adapted to transcode said data transmitted via said first interface (**Um-I/F**) to data transmitted via said second interface (**I/F**), said transcoding function unit being combined with said gateway interworking function unit (**GW**).

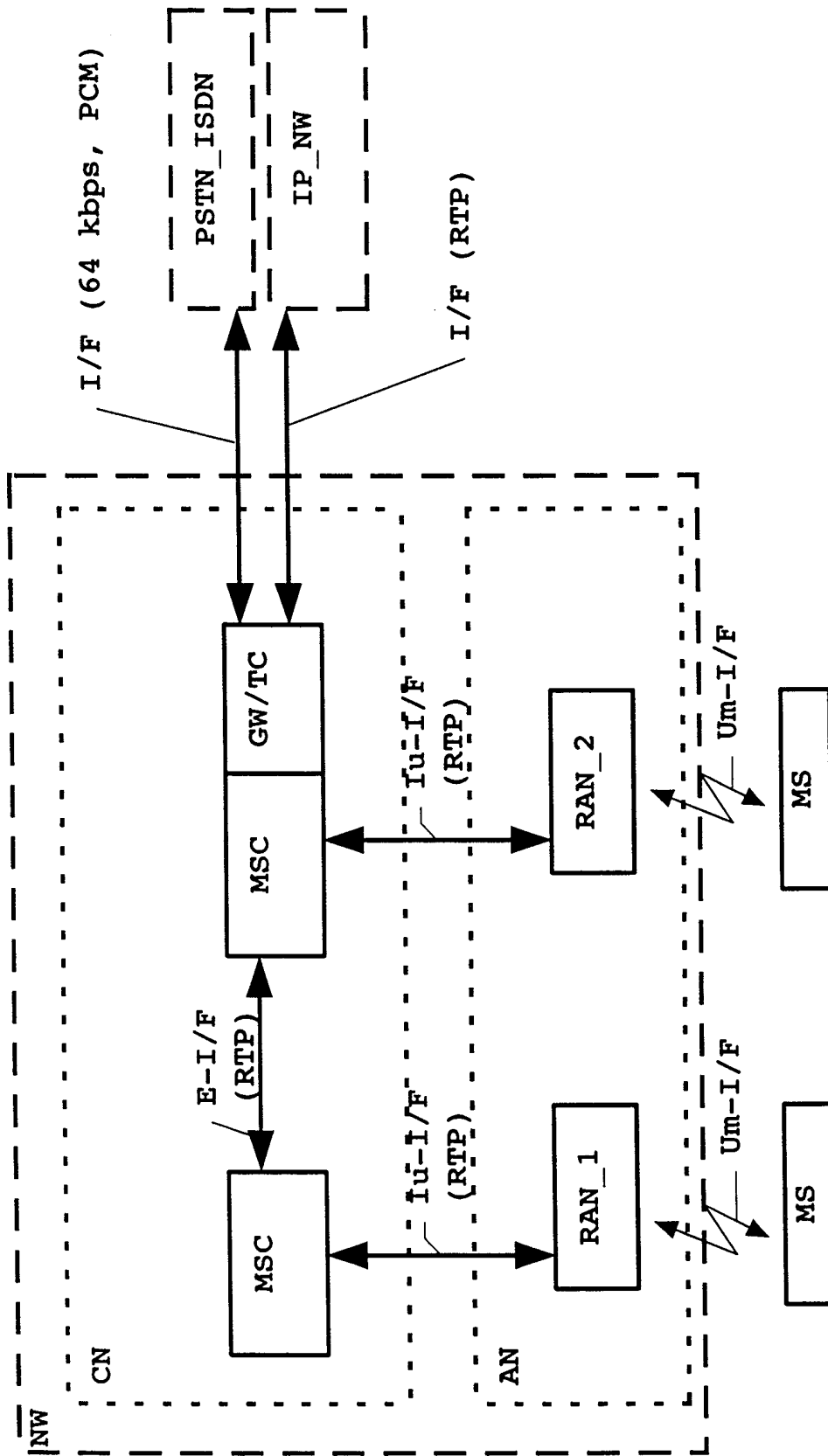


FIG. 1

INTERNATIONAL SEARCH REPORT

International Application No

PCT/EP 99/01615

A. CLASSIFICATION OF SUBJECT MATTER
IPC 7 H04Q7/24

According to International Patent Classification (IPC) or to both national classification and IPC

B. FIELDS SEARCHED

Minimum documentation searched (classification system followed by classification symbols)
IPC 7 H04Q

Documentation searched other than minimum documentation to the extent that such documents are included in the fields searched

Electronic data base consulted during the international search (name of data base and, where practical, search terms used)

C. DOCUMENTS CONSIDERED TO BE RELEVANT

Category °	Citation of document, with indication, where appropriate, of the relevant passages	Relevant to claim No.
X	<p>WANG J ET AL: "WIRELESS VOICE-OVER-IP AND IMPLICATIONS FOR THIRD-GENERATION NETWORK DESIGN" BELL LABS TECHNICAL JOURNAL, US, BELL LABORATORIES, vol. 3, no. 3, July 1998 (1998-07), page 79-97 XP000782375 ISSN: 1089-7089 page 80, left-hand column, line 31 -page 84, right-hand column, line 13</p> <p style="text-align: center;">----- -/--</p>	1-10

Further documents are listed in the continuation of box C.

Patent family members are listed in annex.

° Special categories of cited documents :

- "A" document defining the general state of the art which is not considered to be of particular relevance
- "E" earlier document but published on or after the international filing date
- "L" document which may throw doubts on priority claim(s) or which is cited to establish the publication date of another citation or other special reason (as specified)
- "O" document referring to an oral disclosure, use, exhibition or other means
- "P" document published prior to the international filing date but later than the priority date claimed

- "T" later document published after the international filing date or priority date and not in conflict with the application but cited to understand the principle or theory underlying the invention
- "X" document of particular relevance; the claimed invention cannot be considered novel or cannot be considered to involve an inventive step when the document is taken alone
- "Y" document of particular relevance; the claimed invention cannot be considered to involve an inventive step when the document is combined with one or more other such documents, such combination being obvious to a person skilled in the art.
- "&" document member of the same patent family

Date of the actual completion of the international search

30 November 1999

Date of mailing of the international search report

13/12/1999

Name and mailing address of the ISA
European Patent Office, P.B. 5818 Patentlaan 2
NL - 2280 HV Rijswijk
Tel. (+31-70) 340-2040, Tx. 31 651 epo nl,
Fax: (+31-70) 340-3016

Authorized officer

López-Pérez, M-C

INTERNATIONAL SEARCH REPORT

International Application No
PCT/EP 99/01615

C.(Continuation) DOCUMENTS CONSIDERED TO BE RELEVANT		
Category *	Citation of document, with indication, where appropriate, of the relevant passages	Relevant to claim No.
X	<p>BERRUTO E: "RESEARCH ACTIVITIES ON UMTS RADIO INTERFACE, NETWORK ARCHITECTURES, AND PLANNING" IEEE COMMUNICATIONS MAGAZINE, US, IEEE SERVICE CENTER. PISCATAWAY, N.J, vol. 36, no. 2, February 1998 (1998-02), page 82-95 XP000740416 ISSN: 0163-6804 page 88, left-hand column, line 1 -page 91, right-hand column, line 29 ---</p>	1-8,10
A	<p>WO 98 28934 A (NOKIA TELECOMMUNICATIONS OY ;LAATU JUHO (FI); LAHTINEN PEKKA (FI);) 2 July 1998 (1998-07-02) page 1, line 6 - line 17 page 4, line 23 -page 6, line 25 ---</p>	11,12
A	<p>WO 95 24789 A (NOKIA TELECOMMUNICATIONS OY ;FRIMAN LEIF (FI)) 14 September 1995 (1995-09-14) page 7, line 1 -page 10, line 14 page 14, line 20 -page 15, line 27 -----</p>	11,12

INTERNATIONAL SEARCH REPORT

Information on patent family members

International Application No

PCT/EP 99/01615

Patent document cited in search report	Publication date	Patent family member(s)	Publication date
WO 9828934 A	02-07-1998	FI 964888 A	06-06-1998
		AU 5223198 A	17-07-1998

WO 9524789 A	14-09-1995	FI 941125 A	10-09-1995
		AU 690647 B	30-04-1998
		AU 1851295 A	25-09-1995
		CN 1143442 A	19-02-1997
		EP 0749664 A	27-12-1996
		JP 9510061 T	07-10-1997
