

(19) World Intellectual Property Organization  
International Bureau



(43) International Publication Date  
3 October 2002 (03.10.2002)

PCT

(10) International Publication Number  
WO 02/078043 A3

(51) International Patent Classification<sup>7</sup>: H01J 37/08,  
37/30, 37/32

(21) International Application Number: PCT/JP02/02749

(22) International Filing Date: 22 March 2002 (22.03.2002)

(25) Filing Language: English

(26) Publication Language: English

(30) Priority Data:  
2001-088863 26 March 2001 (26.03.2001) JP

(71) Applicant (for all designated States except US): **EBARA CORPORATION** [JP/JP]; 11-1, Haneda Asahi-cho, Ohta-ku, Tokyo 144-8510 (JP).

(72) Inventors; and

(75) Inventors/Applicants (for US only): **ICHIKI, Katsunori** [JP/JP]; c/o Ebara Research Co., Ltd., 2-1, Honfujisawa 4-chome, Fujisawa-shi, Kanagawa 251-8502 (JP). **YAMAUCHI, Kazuo** [JP/JP]; c/o Ebara Research Co., Ltd.,

2-1, Honfujisawa 4-chome, Fujisawa-shi, Kanagawa 251-8502 (JP). **HIYAMA, Hirokuni** [JP/JP]; c/o Ebara Research Co., Ltd., 2-1, Honfujisawa 4-chome, Fujisawa-shi, Kanagawa 251-8502 (JP). **SAMUKAWA, Seiji** [JP/JP]; c/o Tohoku University, 2-1-1, Katahira, Aoba-ku, Sendai-shi, Miyagi 980-8577 (JP).

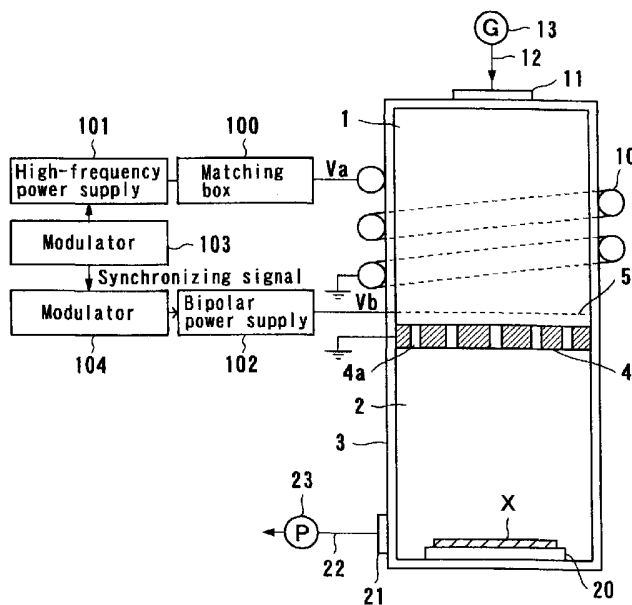
(74) Agents: **WATANABE, Isamu** et al.; GOWA Nishi-Shinjuku 4F, 5-8, Nishi-Shinjuku 7-chome, Shinjuku-ku, Tokyo 160-0023 (JP).

(81) Designated States (national): AE, AG, AL, AM, AT, AU, AZ, BA, BB, BG, BR, BY, BZ, CA, CH, CN, CO, CR, CU, CZ, DE, DK, DM, DZ, EC, EE, ES, FI, GB, GD, GE, GH, GM, HR, HU, ID, IL, IN, IS, KE, KG, KP, KR, KZ, LC, LK, LR, LS, LT, LU, LV, MA, MD, MG, MK, MN, MW, MX, MZ, NO, NZ, OM, PH, PL, PT, RO, RU, SD, SE, SG, SI, SK, SL, TJ, TM, TN, TR, TT, TZ, UA, UG, US, UZ, VN, YU, ZA, ZM, ZW.

(84) Designated States (regional): ARIPO patent (GH, GM, KE, LS, MW, MZ, SD, SL, SZ, TZ, UG, ZM, ZW), Eurasian patent (AM, AZ, BY, KG, KZ, MD, RU, TJ, TM), European patent (AT, BE, CH, CY, DE, DK, ES, FI, FR,

[Continued on next page]

(54) Title: BEAM PROCESSING APPARATUS



(57) Abstract: A beam processing apparatus comprises a workpiece holder (20) for holding a workpiece (X), a plasma generator for generating a plasma in a vacuum chamber (3), first electrode (4) disposed in the vacuum chamber (3), and a second electrode (5) disposed upstream of the first electrode (4) in the vacuum chamber (3). The beam processing apparatus further comprises a voltage applying unit for applying a variable voltage between the first electrode (4) and the second electrode (5) to alternately extract positive ions (6) and negative ions from the plasma generated by the plasma generator.



WO 02/078043 A3



GB, GR, IE, IT, LU, MC, NL, PT, SE, TR), OAPI patent  
(BF, BJ, CF, CG, CI, CM, GA, GN, GQ, GW, ML, MR,  
NE, SN, TD, TG).

**(88) Date of publication of the international search report:**  
4 December 2003

**Published:**

— *with international search report*

*For two-letter codes and other abbreviations, refer to the "Guidance Notes on Codes and Abbreviations" appearing at the beginning of each regular issue of the PCT Gazette.*

## INTERNATIONAL SEARCH REPORT

International Application No

PCT/JP 02/02749

A. CLASSIFICATION OF SUBJECT MATTER  
 IPC 7 H01J37/08 H01J37/30 H01J37/32

According to International Patent Classification (IPC) or to both national classification and IPC

## B. FIELDS SEARCHED

Minimum documentation searched (classification system followed by classification symbols)  
 IPC 7 H01J

Documentation searched other than minimum documentation to the extent that such documents are included in the fields searched

Electronic data base consulted during the international search (name of data base and, where practical, search terms used)

EPO-Internal, PAJ, WPI Data, INSPEC

## C. DOCUMENTS CONSIDERED TO BE RELEVANT

Category °	Citation of document, with indication, where appropriate, of the relevant passages	Relevant to claim No.
X	US 5 279 669 A (LEE YOUNG H) 18 January 1994 (1994-01-18) column 4, line 26 - line 29 column 6, line 50 -column 7, line 25 column 10, line 22 - line 42 figure 2 column 7, line 8 - line 16 ---	1,2,5, 7-9
X	WO 01 06534 A (HATAKEYAMA MASAHIRO; SATAKE TOHRU; WATANABE KENJI; ICHIKI KATSUNORI) 25 January 2001 (2001-01-25) & EP 1 220 272 A (EBARA CORPORATION) 3 July 2002 (2002-07-03) column 8, line 19 - line 55 column 7, line 56 -column 8, line 15 figures 1,2,7A --- -/--	1,2,5,6



Further documents are listed in the continuation of box C.



Patent family members are listed in annex.

° Special categories of cited documents :

- \*A\* document defining the general state of the art which is not considered to be of particular relevance
- \*E\* earlier document but published on or after the international filing date
- \*L\* document which may throw doubts on priority claim(s) or which is cited to establish the publication date of another citation or other special reason (as specified)
- \*O\* document referring to an oral disclosure, use, exhibition or other means
- \*P\* document published prior to the international filing date but later than the priority date claimed

- \*T\* later document published after the international filing date or priority date and not in conflict with the application but cited to understand the principle or theory underlying the invention
- \*X\* document of particular relevance; the claimed invention cannot be considered novel or cannot be considered to involve an inventive step when the document is taken alone
- \*Y\* document of particular relevance; the claimed invention cannot be considered to involve an inventive step when the document is combined with one or more other such documents, such combination being obvious to a person skilled in the art.
- \* & \* document member of the same patent family

Date of the actual completion of the international search

10 October 2002

Date of mailing of the international search report

17/10/2002

Name and mailing address of the ISA

European Patent Office, P.B. 5818 Patentlaan 2  
 NL - 2280 HV Rijswijk  
 Tel. (+31-70) 340-2040, Tx. 31 651 epo nl,  
 Fax: (+31-70) 340-3016

Authorized officer

Zuccatti, S

## INTERNATIONAL SEARCH REPORT

International Application No

PCT/JP 02/02749

## C.(Continuation) DOCUMENTS CONSIDERED TO BE RELEVANT

Category °	Citation of document, with indication, where appropriate, of the relevant passages	Relevant to claim No.
X	GB 2 349 506 A (NIPPON ELECTRIC CO) 1 November 2000 (2000-11-01)	7
A	page 23, line 13 - line 16 page 8, line 20 -page 9, line 15 figures 7-9 ---	1
X	PATENT ABSTRACTS OF JAPAN vol. 006, no. 111 (E-114), 22 June 1982 (1982-06-22) & JP 57 042131 A (MITSUBISHI ELECTRIC CORP), 9 March 1982 (1982-03-09) abstract ---	7
A	US 6 051 151 A (KELLER JOHN H ET AL) 18 April 2000 (2000-04-18) abstract; figures 2,5,6 ---	1,3,4
A	PATENT ABSTRACTS OF JAPAN vol. 2000, no. 07, 29 September 2000 (2000-09-29) & JP 2000 100798 A (CANON INC), 7 April 2000 (2000-04-07) abstract ---	1,3,4
A	PATENT ABSTRACTS OF JAPAN vol. 1997, no. 10, 31 October 1997 (1997-10-31) & JP 09 162169 A (HORIIE YASUHIRO;SHINDO HARUO; KOBE STEEL LTD), 20 June 1997 (1997-06-20) abstract ---	3,4
A	US 4 987 346 A (KATZSCHNER WERNER ET AL) 22 January 1991 (1991-01-22) column 7, line 29 - line 54; figures 10A,10B ---	1,8
A	US 5 818 040 A (KINOSHITA KEIZO ET AL) 6 October 1998 (1998-10-06) column 7, line 26 -column 8, line 29 -----	1,5,7,8

## Information on patent family members

International Application No

PCT/JP 02/02749

Patent document cited in search report		Publication date	Patent family member(s)	Publication date
US 5279669	A	18-01-1994	US 5453305 A	26-09-1995
WO 0106534	A	25-01-2001	JP 2001028244 A EP 1220272 A1 WO 0106534 A1	30-01-2001 03-07-2002 25-01-2001
GB 2349506	A	01-11-2000	JP 2000306894 A TW 454258 B	02-11-2000 11-09-2001
JP 57042131	A	09-03-1982	NONE	
US 6051151	A	18-04-2000	NONE	
JP 2000100798	A	07-04-2000	NONE	
JP 09162169 8	A		NONE	
US 4987346	A	22-01-1991	DE 3803355 A1 AT 104089 T DE 58907368 D1 EP 0326824 A2 FI 890497 A , B, JP 2103932 A KR 9203019 B1	17-08-1989 15-04-1994 11-05-1994 09-08-1989 06-08-1989 17-04-1990 13-04-1992
US 5818040	A	06-10-1998	JP 2842344 B2 JP 9139364 A GB 2307333 A , B KR 242483 B1	06-01-1999 27-05-1997 21-05-1997 02-03-2000