

(19) World Intellectual Property Organization
International Bureau



(43) International Publication Date
22 February 2007 (22.02.2007)

PCT

(10) International Publication Number
WO 2007/021196 A3

(51) International Patent Classification:

B65G 21/06 (2006.01) B65G 23/44 (2006.01)
B65G 21/10 (2006.01) B65G 39/12 (2006.01)
B65G 15/24 (2006.01)

(21) International Application Number:

PCT/NO2006/000296

(22) International Filing Date: 17 August 2006 (17.08.2006)

(25) Filing Language: English

(26) Publication Language: English

(30) Priority Data:

2005 3901 19 August 2005 (19.08.2005) NO

(71) Applicant and

(72) Inventor: BUGGE, Niels [NO/NO]; Vestfjordveien 61,
N-3142 Vestskogen (NO).

(74) Agent: PROTECTOR INTELLECTUAL PROPERTY
CONSULTANTS AS; P.O. Box 5074 Majorstuen, N-0301
Oslo (NO).

(81) Designated States (unless otherwise indicated, for every
kind of national protection available): AE, AG, AL, AM,
AT, AU, AZ, BA, BB, BG, BR, BW, BY, BZ, CA, CH, CN,

CO, CR, CU, CZ, DE, DK, DM, DZ, EC, EE, EG, ES, FI,
GB, GD, GE, GH, GM, HN, HR, HU, ID, IL, IN, IS, JP,
KE, KG, KM, KN, KP, KR, KZ, LA, LC, LK, LR, LS, LT,
LU, LV, LY, MA, MD, MG, MK, MN, MW, MX, MY, MZ,
NA, NG, NI, NO, NZ, OM, PG, PH, PL, PT, RO, RS, RU,
SC, SD, SE, SG, SK, SL, SM, SV, SY, TJ, TM, TN, TR,
TT, TZ, UA, UG, US, UZ, VC, VN, ZA, ZM, ZW.

(84) Designated States (unless otherwise indicated, for every
kind of regional protection available): ARIPO (BW, GH,
GM, KE, LS, MW, MZ, NA, SD, SL, SZ, TZ, UG, ZM,
ZW), Eurasian (AM, AZ, BY, KG, KZ, MD, RU, TJ, TM),
European (AT, BE, BG, CH, CY, CZ, DE, DK, EE, ES, FI,
FR, GB, GR, HU, IE, IS, IT, LT, LU, LV, MC, NL, PL, PT,
RO, SE, SI, SK, TR), OAPI (BF, BJ, CF, CG, CI, CM, GA,
GN, GQ, GW, ML, MR, NE, SN, TD, TG).

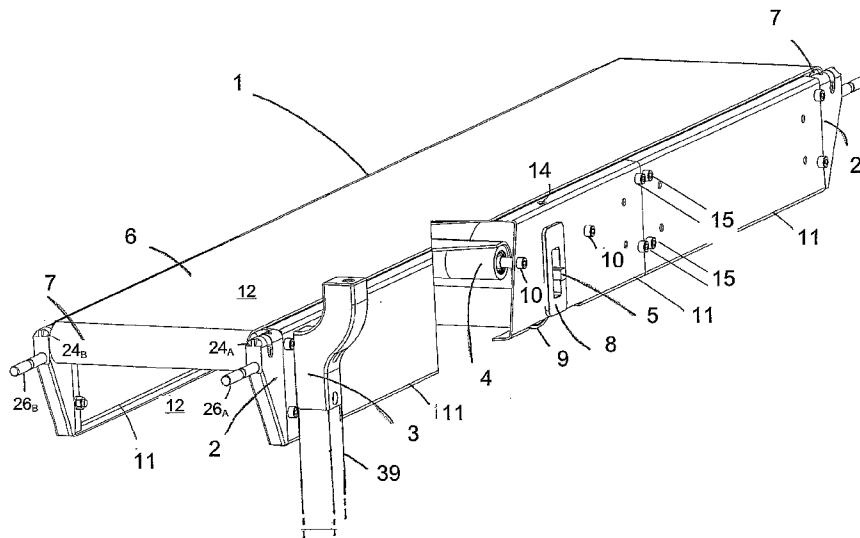
Published:

- with international search report
- before the expiration of the time limit for amending the
claims and to be republished in the event of receipt of
amendments

(88) Date of publication of the international search report:
12 April 2007

For two-letter codes and other abbreviations, refer to the "Guid-
ance Notes on Codes and Abbreviations" appearing at the begin-
ning of each regular issue of the PCT Gazette.

(54) Title: IMPROVEMENTS IN A CONVEYOR SYSTEM



(57) Abstract: A conveyor system having any number of conveyor system modules, each system module comprising a support structure, a band (6) and a band drive mechanism for driving the band around a path of each respective system module. In one aspect of the invention a mounting bracket (2) forms a part of the conveyor system and has mounting details (28,29) for mounting the bracket onto a conveyor system support element (1). In a second aspect of the invention a conveyor drive mechanism bracket mounts a drive mechanism in the conveyor system. Locking details (82-86) are also designed to tighten a band (6) of the conveyor system. In a third aspect of the invention a coupling bracket for a first conveyor system module has mechanical coupling details (21).

WO 2007/021196 A3

INTERNATIONAL SEARCH REPORT

International application No
PCT/NO2006/000296

A. CLASSIFICATION OF SUBJECT MATTER

INV. B65G21/06 B65G21/10 B65G15/24 B65G23/44 B65G39/12

According to International Patent Classification (IPC) or to both national classification and IPC

B. FIELDS SEARCHED

Minimum documentation searched (classification system followed by classification symbols)
B65G

Documentation searched other than minimum documentation to the extent that such documents are included in the fields searched

Electronic data base consulted during the international search (name of data base and, where practical, search terms used)

EPO-Internal

C. DOCUMENTS CONSIDERED TO BE RELEVANT

Category*	Citation of document, with indication, where appropriate, of the relevant passages	Relevant to claim No.
A	GB 646 190 A (FISHER & LUDLOW LTD) 15 November 1950 (1950-11-15) page 4, line 22 - line 41; figures -----	1-8
A	EP 0 492 058 A1 (DYNAMIC CONVEYOR CORP [US]) 1 July 1992 (1992-07-01) column 8, line 35 - line 44; figure 7 -----	1-8
A	DE 84 07 676 U1 (GEPPERT, HELMUT, 5162 NIEDERZIER, DE) 11 July 1985 (1985-07-11) figure 4 -----	1-8
A	US 2004/089522 A1 (SHAUM FRANK-PETER [US] SCHAUM FRANK-PETER [US]) 13 May 2004 (2004-05-13) paragraph [0034]; figures -----	1-8
	-/--	

Further documents are listed in the continuation of Box C.

See patent family annex.

* Special categories of cited documents :

"A" document defining the general state of the art which is not considered to be of particular relevance

"E" earlier document but published on or after the international filing date

"L" document which may throw doubts on priority claim(s) or which is cited to establish the publication date of another citation or other special reason (as specified)

"O" document referring to an oral disclosure, use, exhibition or other means

"P" document published prior to the international filing date but later than the priority date claimed

"T" later document published after the international filing date or priority date and not in conflict with the application but cited to understand the principle or theory underlying the invention

"X" document of particular relevance; the claimed invention cannot be considered novel or cannot be considered to involve an inventive step when the document is taken alone

"Y" document of particular relevance; the claimed invention cannot be considered to involve an inventive step when the document is combined with one or more other such documents, such combination being obvious to a person skilled in the art.

"&" document member of the same patent family

Date of the actual completion of the international search

29 January 2007

Date of mailing of the international search report

08/02/2007

Name and mailing address of the ISA/

European Patent Office, P.B. 5818 Patentlaan 2
NL - 2280 HV Rijswijk
Tel. (+31-70) 340-2040, Tx. 31 651 epo nl,
Fax: (+31-70) 340-3016

Authorized officer

Lawder, M

INTERNATIONAL SEARCH REPORT

International application No
PCT/N02006/000296

C(Continuation). DOCUMENTS CONSIDERED TO BE RELEVANT		
Category*	Citation of document, with indication, where appropriate, of the relevant passages	Relevant to claim No.
X	US 3 593 591 A (CHANTLAND ALFRED) 20 July 1971 (1971-07-20) figures	9,14
A	US 5 749 659 A (NISLEY DONALD L [US]) 12 May 1998 (1998-05-12) the whole document	9-15

INTERNATIONAL SEARCH REPORT

International application No.
PCT/N02006/000296

Box II Observations where certain claims were found unsearchable (Continuation of item 2 of first sheet)

This International Search Report has not been established in respect of certain claims under Article 17(2)(a) for the following reasons:

1. Claims Nos.:
because they relate to subject matter not required to be searched by this Authority, namely:

2. Claims Nos.:
because they relate to parts of the International Application that do not comply with the prescribed requirements to such an extent that no meaningful International Search can be carried out, specifically:

3. Claims Nos.:
because they are dependent claims and are not drafted in accordance with the second and third sentences of Rule 6.4(a).

Box III Observations where unity of invention is lacking (Continuation of item 3 of first sheet)

This International Searching Authority found multiple inventions in this international application, as follows:

see additional sheet

1. As all required additional search fees were timely paid by the applicant, this International Search Report covers all searchable claims.
2. As all searchable claims could be searched without effort justifying an additional fee, this Authority did not invite payment of any additional fee.
3. As only some of the required additional search fees were timely paid by the applicant, this International Search Report covers only those claims for which fees were paid, specifically claims Nos.:
4. No required additional search fees were timely paid by the applicant. Consequently, this International Search Report is restricted to the invention first mentioned in the claims; it is covered by claims Nos.:

Remark on Protest

- The additional search fees were accompanied by the applicant's protest.
- No protest accompanied the payment of additional search fees.

FURTHER INFORMATION CONTINUED FROM PCT/ISA/ 210

This International Searching Authority found multiple (groups of) inventions in this international application, as follows:

1. claims: 1-8

Invention 1 relates to a bracket for use in coupling modules of a conveyor system, whereby the bracket has coupling details allowing a mechanical coupling between similar coupling brackets.

2. claims: 9-15

Invention 2 relates to a bracket for releasably and adjustably mounting and holding a band drum axle whereby the locking details are able to move the axle enabling a tightening or tensioning of a conveyor belt.

INTERNATIONAL SEARCH REPORT

Information on patent family members

International application No

PCT/NO2006/000296

Patent document cited in search report	Publication date	Patent family member(s)	Publication date
GB 646190	A	15-11-1950	NONE
EP 0492058	A1	01-07-1992	CA 2040838 A1 28-06-1992 CA 2054159 A1 28-06-1992 DE 69109836 D1 22-06-1995 DE 69109836 T2 21-12-1995 ES 2075281 T3 01-10-1995 JP 5162835 A 29-06-1993 US 5131531 A 21-07-1992
DE 8407676	U1	11-07-1985	NONE
US 2004089522	A1	13-05-2004	NONE
US 3593591	A	20-07-1971	NONE
US 5749659	A	12-05-1998	NONE