



US00D463582S

(12) **United States Design Patent** (10) **Patent No.:** **US D463,582 S**  
**Conde** (45) **Date of Patent:** **\*\* \*Sep. 24, 2002**

(54) **LANDSCAPE EDGING** 4,644,685 A 2/1987 Tisbo et al.  
 4,761,923 A 8/1988 Reum et al.  
 (75) **Inventor:** **Clemente Conde**, Waco, TX (US) 4,858,379 A 8/1989 West  
 4,939,865 A 7/1990 Whitcomb et al.  
 (73) **Assignee:** **Easy Gardener, Inc.**, Waco, TX (US) 4,955,156 A 9/1990 Williams  
 4,965,097 A 10/1990 Bach  
 (\*) **Notice:** This patent is subject to a terminal disclaimer. 5,020,272 A 6/1991 Herrema et al.  
 5,117,583 A 6/1992 Reum  
 5,121,569 A 6/1992 Thomas  
 (\*\*) **Term:** **14 Years** 5,201,154 A 4/1993 Thomas  
 5,274,969 A \* 1/1994 Kazakidis ..... 47/33  
 5,456,045 A 10/1995 Bradley et al.  
 (21) **Appl. No.:** **29/146,085** 5,775,027 A 7/1998 Tisbo et al.  
 (22) **Filed:** **Aug. 3, 2001** D407,507 S 3/1999 Owens, II et al.  
 5,921,021 A 7/1999 Coates  
 (51) **LOC (7) Cl.** ..... **25-01** D416,096 S 11/1999 Tisbo et al.  
 (52) **U.S. Cl.** ..... **D25/164** D416,339 S 11/1999 Shaw  
 (58) **Field of Search** ..... D25/164; 47/33, 47/47; 52/102 D418,233 S 12/1999 Prassas et al.  
 D426,322 S 6/2000 Anderson et al.  
 6,085,458 A 7/2000 Gau  
 6,138,406 A 10/2000 Clark, Jr.  
 D444,579 S 7/2001 Emalfarb

(56) **References Cited**

**U.S. PATENT DOCUMENTS**

- 3,378,949 A 4/1968 Dorris
- 3,387,786 A 6/1968 Rynberk
- 3,484,989 A 12/1969 Lazinsky
- 3,485,449 A 12/1969 Wilson
- 3,487,600 A 1/1970 Greene
- 3,525,663 A 8/1970 Hale
- 3,545,127 A 12/1970 Jensen
- 3,701,477 A 10/1972 Matt et al.
- 3,706,627 A 12/1972 Arne
- 3,788,001 A 1/1974 Balfanz, Jr.
- 3,841,022 A 10/1974 Thodos
- 3,911,187 A 10/1975 Raley
- 4,074,479 A 2/1978 Krupka
- 4,146,666 A 3/1979 Houtlosser
- 4,190,279 A 2/1980 Sguazzin
- 4,281,473 A 8/1981 Emalfarb et al.
- 4,321,769 A 3/1982 Tisbo et al.
- 4,333,979 A 6/1982 Sciaraffa et al.
- 4,397,902 A 8/1983 Resch

\* cited by examiner  
*Primary Examiner*—Doris Clark  
 (74) *Attorney, Agent, or Firm*—O’Keefe, Egan & Peterman, LLP

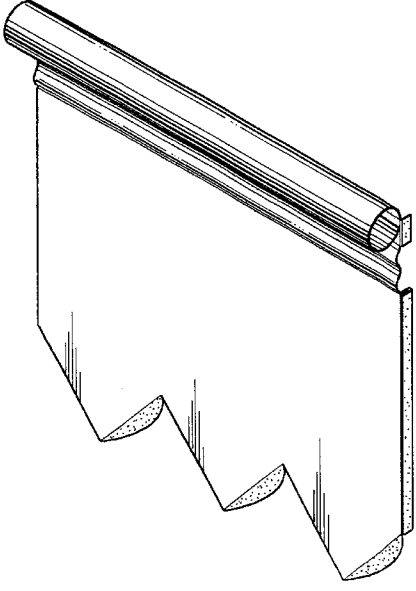
(57) **CLAIM**

The ornamental design for landscape edging, as shown and described.

**DESCRIPTION**

FIG. 1 is a top and front perspective view of a landscape edging showing the new design.  
 FIG. 2 is a first side view thereof.  
 FIG. 3 is a second side view thereof; and,  
 FIG. 4 is a rear view thereof.

**1 Claim, 2 Drawing Sheets**



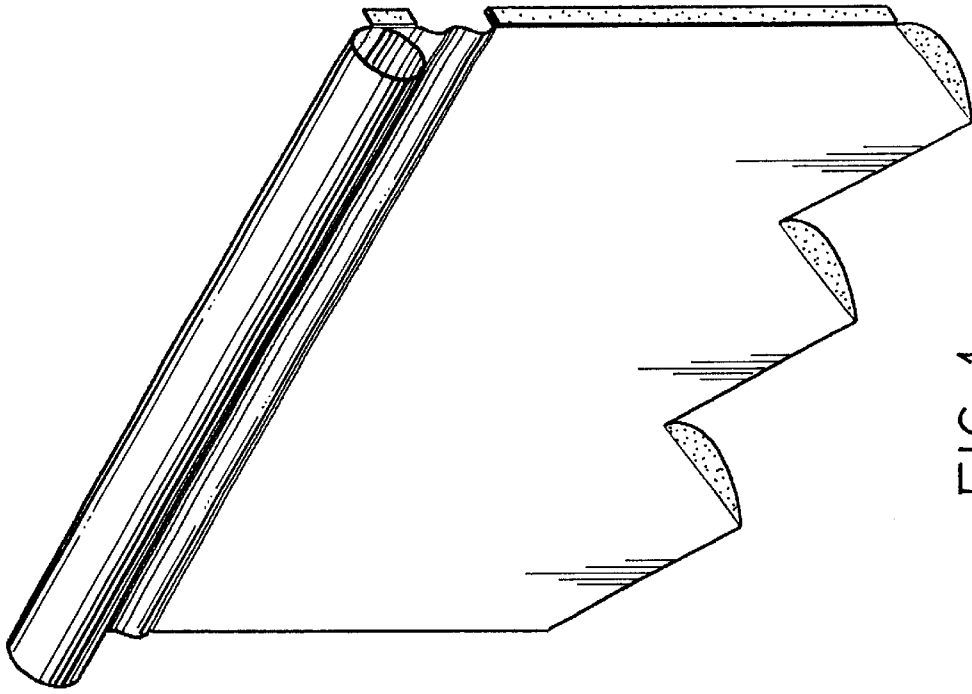


FIG. 1

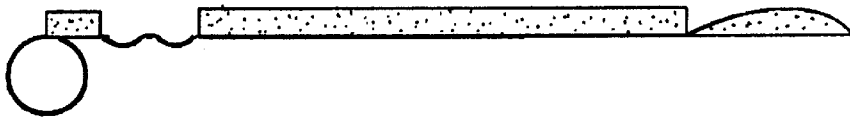


FIG. 2

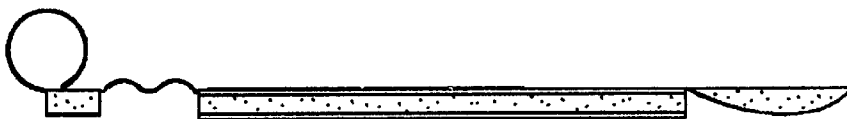


FIG. 3

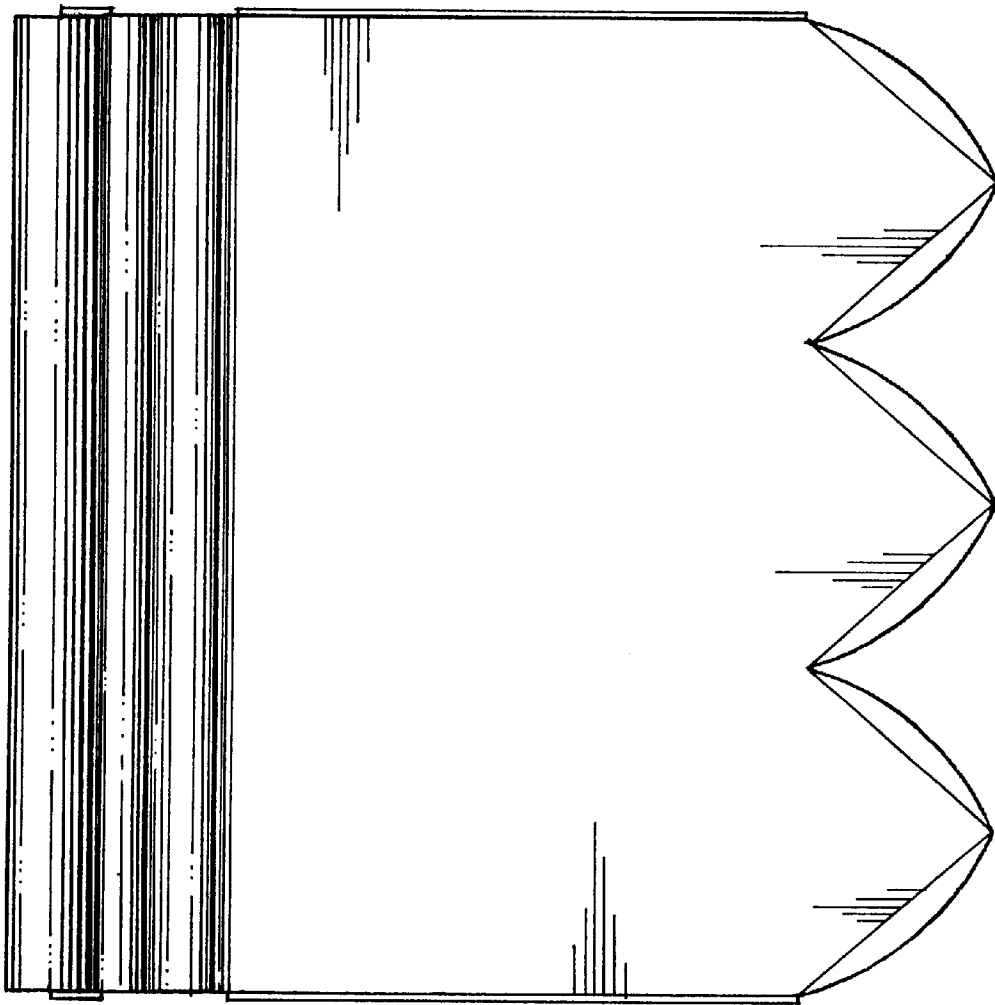


FIG. 4