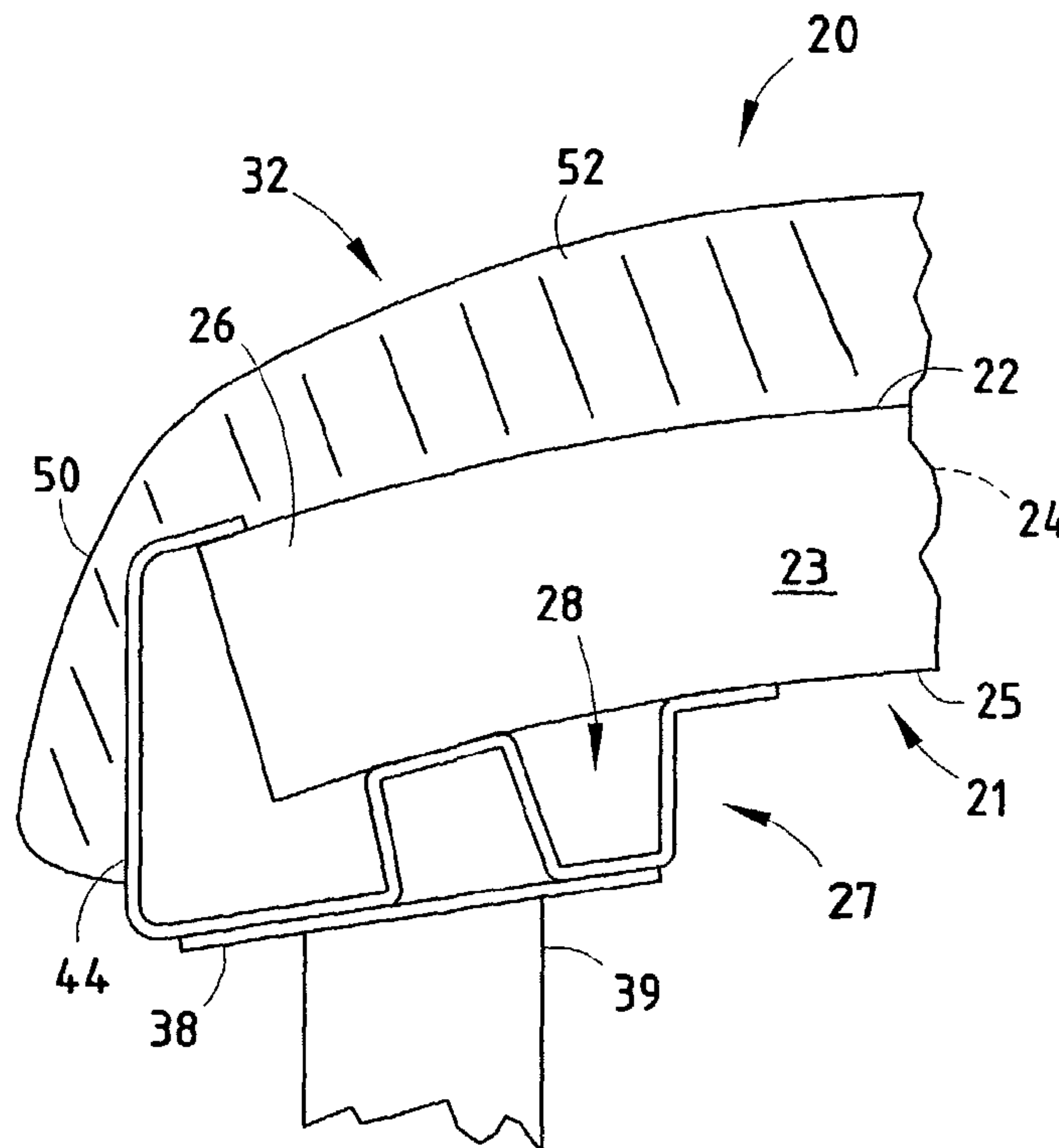




(86) Date de dépôt PCT/PCT Filing Date: 2003/10/27
 (87) Date publication PCT/PCT Publication Date: 2004/05/21
 (85) Entrée phase nationale/National Entry: 2005/03/17
 (86) N° demande PCT/PCT Application No.: US 2003/033789
 (87) N° publication PCT/PCT Publication No.: 2004/041597
 (30) Priorité/Priority: 2002/10/31 (10/285,009) US

(51) Cl.Int.⁷/Int.Cl.⁷ B60R 19/04
 (71) Demandeur/Applicant:
SHAPE CORPORATION, US
 (72) Inventeurs/Inventors:
WEYKAMP, ROBERT, US;
HALL, MICHAEL J., US;
POWELL, DAVID A., US
 (74) Agent: BORDEN LADNER GERVAIS LLP

(54) Titre : SUPPORT DE PARE-CHOCS FORMANT UN COIN SUR UNE EXTREMITÉ D'UNE POUTRE
 (54) Title: BUMPER MOUNT FORMING CORNER ON END OF BEAM



(57) **Abrégé/Abstract:**

A bumper system (20) for vehicles includes a tubular beam (21) having front (22), top (23), bottom (24), and rear (25) walls, and further having open tubular ends. The bumper system (20) further includes a pair of mounting brackets (27) each having a V-shaped mounting section (28) attached to the rear wall (25) of the open tubular ends (26) and having an integral corner-forming section (29) extending from the mounting section (28) laterally around the associated ends (26) and forwardly to a location where the corner-forming section (29) attaches to the front wall (22) of the one end (26). The corner-forming section (29) includes a resilient portion (44) shaped to flex and absorb energy upon corner impact, and further is adapted to transfer energy directly to the vehicle frame, thus providing efficient and effective energy absorption upon corner impact.

BUMPER MOUNT FORMING CORNER ON END OF BEAM

BACKGROUND

The present invention relates to vehicle bumper systems having a bumper beam and components attached to the beam for forming a structural corner of a vehicle.

Vehicle bumper systems commonly include beams and components attached to ends of the beams for forming aesthetically pleasing corners on vehicles, for supporting fascia, and for providing structure to withstand corner impacts. However, the additional components add cost, weight, and secondary operations, and further can add dimensional variations and quality control problems. Further, every additional piece adds hidden costs, such as increased inventory, parts management, floor space requirements, and the like.

It is desirable to integrate components in bumper systems to save space, to reduce the number of parts, and to reduce the complexity of assembly. However, this must be done without sacrificing cost, quality, and bumper strength, and without sacrificing the ability to tune the bumper system to pass federal motor vehicle safety standards (FMVSS) and regulations. In particular, it is desirable to provide a system having an optimized transfer of energy from corner impacts to the structure of the bumper beam and to the structure of the vehicle frame, in order to assure that the vehicles pass the increasingly difficult federal regulations relating to corner impact strengths and functional requirements.

Accordingly, a bumper system is desired solving the aforementioned problems and having the aforementioned advantages.

SUMMARY OF THE PRESENT INVENTION

In one aspect of the present invention, a bumper system for vehicles includes a tubular beam having front, top, bottom, and rear walls, and further having open tubular ends. The bumper system further includes a pair of mounting brackets each having a mounting section attached to the rear wall on an associated one of the open tubular ends and having an integral corner-forming section extending from the mounting section laterally around the associated one end to cover the associated one end and forwardly to a location where the corner-forming section attaches to the front wall of the associated one end.

In another aspect of the present invention, a bumper system for vehicles includes a tubular beam having open ends, and a pair of mounting brackets each having a U-shaped mounting section attached to the beam for supporting the beam on a vehicle. The mounting brackets further have an outboard leg extending from the mounting section laterally around an associated one of the open ends and forwardly to a location where the outboard leg attaches to the front wall of the associated one end.

In another aspect of the present invention, a bumper system for vehicles includes a tubular beam having opposing ends, and a pair of mounting brackets each having a mounting section attached to a rear surface of the beam for supporting the beam on a vehicle and further having an outboard leg spaced from an associated one of the opposing ends and extending from the mounting section to a front surface of the associated one end.

In another aspect of the present invention, a bumper system for vehicles includes a beam having opposing ends and a first front surface. Mounting brackets are attached to the beam for supporting the beam on a vehicle. An energy absorber engages the first front surface and extends to the ends, the energy absorber having a second front surface. The mounting brackets each include an outboard leg that extends around an associated one of the ends and has a third front surface that generally aligns with and extends outboard from the second front surface of the energy absorber.

In another aspect of the present invention, a bumper system includes a tubular beam having front, top, bottom, and rear walls defining at least one tube; and a pair of mounting brackets attached to the beam near associated ends of the beam. The mounting brackets each have an inboard edge and the tubular beam has an end section that begins at a location near the inboard edge and that extends to the associated end of the beam. At least one of the front, top, bottom, and rear walls have an enlarged aperture forming a crush initiator on the end section, the crush initiator being shaped to selectively reduce a strength of the beam in an area of the crush initiator for controlling corner impact strength.

These and other aspects, objects, and features of the present invention will be understood and appreciated by those skilled in the art upon studying the following specification, claims, and appended drawings.

BRIEF DESCRIPTION OF DRAWINGS

Fig. 1 is a top fragmentary view of a bumper system embodying the present invention;

Fig. 1A is a transverse cross section of the tubular metal beam in Fig. 1;

Fig. 1B is a top view of the mounting bracket of Fig. 1;

Fig. 2 is a top fragmentary view of the bumper beam and mounting bracket of Fig. 1, with the energy absorber being removed to more clearly show the arrangement;

Fig. 3 is a top fragmentary view of a first modified bumper system;

Fig. 4 is a top fragmentary view of a second modified bumper system;

Fig. 5 is a top fragmentary view of a third modified bumper system;

Fig. 6 is a top fragmentary perspective view of a fourth modified bumper system;

Figs. 7-8 are enlarged top and bottom perspective views of an end of Fig. 6;

Fig. 9 is a top perspective view of a fifth modified bumper system;

Figs. 10-11 are enlarged rear perspective and top fragmentary views of an end of Fig. 9;

Fig. 12 is a top perspective view of a sixth modified bumper system;

Figs. 13-14 are enlarged top perspective and top views of an end of Fig. 12;

Fig. 15 is an enlarged perspective fragmentary view of a seventh bumper system;

and

Figs. 16-17 are a rear perspective and a top view of Fig. 15.

DETAILED DESCRIPTION OF PREFERRED EMBODIMENTS

A bumper system 20 (Fig. 1) adapted for attachment to a vehicle includes a beam 21, mounting brackets 27, and an energy absorber 32. More particularly, the bumper system 20 includes a tubular beam 21 having front, top, bottom, and rear walls 22-25, and further having opposing open tubular ends 26. The mounting brackets 27 are attached to each of the ends 26 of the bumper beam 21 and are further attached to the vehicle frame 39. The two mounting brackets 27 each have a U-shaped inboard mounting section 28 attached to the rear wall 25 of an associated open tubular end 26 and have an integral corner-forming section 29 extending outwardly from the mounting section 28 laterally around the associated end 26 and forwardly to a location where the corner-forming section 29 attaches to the front wall 22 of the one end 26. The section

29 can attach to a front surface or a rear surface of the front wall 22, although attachment to the front surface is preferred, such as by welding.

The corner-forming section 29 includes an intermediate portion 44 with unattached upper and lower edges, enabling the intermediate portion 44 to resiliently flex and deform and absorb energy upon corner impact. Further, the intermediate portion 44 is well adapted to transfer energy directly to a vehicle frame through remaining parts of the bracket 27 due to the bracket's integral connection to the mounting structure of the bumper system and vehicle. Thus, this arrangement provides efficient and effective energy absorption upon corner impact, since the energy absorber 32 is directly supported on a front surface of the beam 21 by the front wall 22 of the beam 21 and also directly supported by the corner-forming section 29 of the mounting bracket 27. Thus, the corner-forming section 29 forms an integrated and structurally solid support well suited for absorbing energy upon corner impact from a vehicle crash.

The illustrated beam 21 (Fig. 1A) is tubular and D-shaped, such as is disclosed in Patent No. 5,306,058. However, it is contemplated that the tubular bumper can be B-shaped as disclosed in Patent No. 5,454,504. Alternatively, the beam may have other shapes. The illustrated beam 21 has a continuous transverse tubular cross-sectional shape. It is contemplated that the beam can be rollformed, extruded, molded, or otherwise formed.

Mounting brackets 27 (Fig 1B) are generally W-shaped and include the U-shaped inboard mounting section 28 and further include the outboard corner-forming section 29. The illustrated outboard corner-forming portion 29 extends outwardly and around the open end 26 of the beam 21. The mounting section 28 has flanges 35 and 36 that are attached to the rear wall 25 by welding and further includes a rear attachment flange 37 that is welded to a plate 38. The plate 38 is attached to an end of a mounting stay or vehicle frame rail 39. It is noted that the plate 38 can be welded to the bracket 27 and bolted to the rail 39; or can be welded to the rail 39 and bolted to the bracket 27; or a plate 38 can be included on both for bolting together.

Legs 40 and 41 interconnect at the flanges 35 and 36 with the rail rear attachment flange 37. The corner-forming section 29 has a leg 42 and a second rear attachment flange 43 that attaches to the plate 38. The intermediate portion 44 extends from the flange 43 outwardly in an outboard direction and forwardly, and terminates in an

attachment flange 45 that is attached to a front surface of the front wall 22 of beam 21. It is noted that the attachment flange 45 can attach to a rear surface of the front wall 22, if desired, or it can be positioned in a recess in the front surface of the front wall 22 if a flush mounted condition is desired. It is noted that the illustrated portion 44 is spaced from the open end 26 of the beam 21 and is curvilinearly shaped to provide room for the intermediate portion 44 to flex, deform, and bend and absorb energy during a corner impact.

In the illustrated arrangement of Fig. 1, the energy absorber 32 includes an elongated center section 52 supported on a front surface of the front wall 22, and further includes relatively short end sections 50 supported on an outer/front surface of the intermediate section 44 of the brackets 27. It is noted that the end section 50 of the energy absorber 32 wraps around and extends rearwardly to form a compound angle with front surface of the energy absorber, so as to give an aerodynamic look to a corner of the vehicle. As illustrated in Fig. 2, this allows an end of the beam 21 to be cut short to eliminate material (as illustrated by the dashed lines 51). Thus, the present arrangement saves material as well as provides an integrated mounting solution for the end of the beam 21. This arrangement also eliminates the need to provide an angled or complex non-perpendicular cut at an end of the bumper beam 21, which would be needed if angled section 29 were not present.

Modified bumper systems 20A-20G are shown in Figs. 3-17. In these modified bumper systems, identical or similar components to those of bumper system 20 are identified with identical numbers, but with the addition of a letter "A", "B", "C", etc. This is done to reduce redundant discussion and redundant explanations. It is noted that each of the bumper systems 20-20G preferably include a long swept beam that extends a full width of a vehicle, and include a pair of mounting brackets and/or a polymeric molded energy absorber, even though these items are not all shown in each embodiment.

The bumper system 20A (Fig. 3) includes a beam 21A, a mounting bracket 27A, and an energy absorber 32A. On the outboard side of the mounting bracket 27A, the intermediate portion 44A extends significantly outboard from the open end 26A to form a more bulbous shape than the corresponding portion 44 in the bumper system 20. The intermediate portion 44A in bumper system 20A is further formed to have a forward half 53A with a front surface that generally is flush with and aligns with the front surface

32A' of the energy absorber 32A. It is noted that the illustrated surface of half 53A angles rearwardly from the front surface 32A' to form a more aerodynamically-shaped rearwardly-swept corner of the vehicle. Also, the end section (see end section 50 in Fig. 1) of the energy absorber 32A is eliminated in Fig. 3. This saves material, saves weight, and conserves space as well as integrating features into the bumper system design arrangement.

The bumper system 20B (Fig. 4) includes a mounting bracket 27B having another modified intermediate portion 44B. The intermediate portion 44B is modified to include one or more crush initiators 55B in the form of a back and forth bend 56B in the forward half 53B. By this arrangement, the energy transfer and energy absorption characteristics during corner impact are changed considerably, since the crush initiator bend 56B causes a much less sharp initial increase in resistance. Instead, the bend 56B causes a more evenly distributed initial energy absorption and earlier permanent deformation of the intermediate portion 44B.

In the bumper system 20C (Fig. 5), the corner-forming section 29C includes a forward protrusion 60C that fits within an aperture 61C in the rear wall 25C of the beam 21C near an outer end of the beam 21C. By this arrangement, when the mounting bracket 27C receives a corner impact, the forces are transferred more quickly and to a larger extent through protrusion 60C directly into and along the beam 21C, such that the mounting brackets 27C on both sides absorb considerable force from the corner impact, even though the impact is on a single side of the vehicle. By this method, the corner impact forces are more immediately and uniformly transferred to both sides of the vehicle through the two opposing mounting brackets 27C and the beam 21C.

Bumper system 20D (Figs. 6-8) includes a B-shaped beam 21D and mounting bracket 27D. The B-shaped beam 21D is longitudinally curved (commonly referred to in the art as being "swept"). The B-shaped beam 21D has its flat front wall 22D facing forwardly, such that the top and bottom two tubular lobes of beam 21D form a channel 65D in a rear side of the beam 21D. A polymeric energy absorber (not specifically shown in Fig. 6) is positioned against the front surface of the flat wall 22D of the beam 21D. The mounting bracket 27D is not unlike the mounting bracket 27 of Fig. 1. However, the mounting bracket 27D (Fig. 7) is somewhat shallower in depth. Further, the intermediate portion 44D is planar, and includes fore/aft extending channel

embossments or ribs 66D that stiffen the intermediate portion 44D, reducing its resiliency. Also, the plate 38D includes curled edge flanges 67D that stiffen the plate 38D. The channel 65D divides the rear wall 25D of beam 21D into upper and lower portions. The attachment flanges 35D and 36D are attached by welding to both of the upper and lower portions of the rear wall 25D. A plurality of mounting holes 68D are formed in the plate 38D to assist in the attachment to the vehicle frame structure 39D, and weld nuts 73D are positioned at each hole 68D.

The B beam 21D (Fig. 8) has an enlarged irregular aperture 69D that extends from the front wall 22D onto the bottom wall 24D. The illustrated aperture 69D is located at an inboard edge of the mounting bracket 27D, with an inboard end of the aperture 69D being at a location approximately equal to the inboard attachment flange 35D, and with its outboard end being at a location approximately equal to an inner edge of the outboard attachment flange 36D. The aperture 69D has curvilinear sides that extend up to about 20% into front and bottom walls 22D and 25D. The aperture 69D is configured to be a crush initiator, which serves to strategically weaken the beam 21D, thus promoting a more uniform, consistent and predictable collapse and energy absorption upon corner impact. Also, an end of the front and bottom walls 22D and 25D of beam 21D has an irregular cutout 74G that also advantageously affects corner impact characteristics.

The bumper system 20E (Figs. 9-11) includes a B beam 21E and a mounting bracket 27E not unlike the beam 21D and mounting bracket 27D. However, the mounting bracket 27E includes a modified intermediate portion 44E that comprises two angled planar sections 44E' and 44E''. The planar sections 44E' and 44E'' form a concave shape that are spaced from the open ends of beam 21E but that covers the open tubular end of the beam 21E. The mounting section 28E also includes a rearwardly-formed horizontal rib 70E formed in the members 36E, 41E, and 42E. A bottom 70E' of the rib 70E extends coplanar with the attachment flanges 37E and 43E. Slots 71E are formed in the top and bottom portions of attachment flange 36E, such as to facilitate welding the attachment flanges 36E to the rear wall 25E of the beam 21E. Gusset embossments 72E are formed at corner bends in the mounting section 28E to strengthen and stabilize the bracket 27E. Weld nuts 73E are attached under the mounting holes 68E for screw attachment to the vehicle rail and plate 39E and 38E, respectively.

The bumper system 20F (Figs. 12-14) includes a beam 21F and a pair of mounting brackets 27F. However, the mounting section 28F of the mounting bracket 27F is relatively flat and is shaped to engage the rear wall 25F, with the members 35F, 36F, 37F, 40F, and 41F all being coplanar. Attachment holes 68F are located in the leg 43F and/or are located in one of the members 35F-37F/40F-41F. Where needed, a corresponding hole is formed in the rear wall 25F of the beam 21F. Gusset embossments 72F and channel embossments 66F stiffen the bracket 27F. Weld nuts 73F are attached at holes 68F, if needed. An energy absorber, illustrated by dashed lines 32F, is shown with a front surface that generally aligns with and terminates short of the front surface of the corner-forming section 29F of the bracket 27F. Alternatively, it is contemplated that the energy absorber could include an end section that extends onto and is supported by the corner-forming portion 29F.

Bumper system 20G (Figs. 15-17) includes a beam 21G and a pair of mounting brackets 27G. The mounting bracket 27G is not unlike the mounting bracket 27A (Fig. 3), except that the outboard attachment flange 43G (Fig. 17) is elongated and positioned off an end of the beam 21G, and the intermediate section 44G is made bulbous and curvilinear such that it forms a triangular-like shape off the end of the beam 21G. As a result, the intermediate section 44G exhibits resilient elastic flexure in direction 79G (Fig. 17) prior to permanent deformation upon receiving a corner impact during a vehicle crash. Also, the entire concave structure formed by the intermediate section 44G and outboard attachment flange 43G may tend to undergo a parallelogram-type collapse in directions 80G-81G if the outermost corner is impacted from an impacting force in direction 83G.

It is noted that the ornamental appearance and aesthetic design of the bumper systems 20-20G and of the mounting brackets 27-27G are also believed to be inventive, novel, ornamental, unobvious and hence, patentable.

In the foregoing description, it will be readily appreciated by those skilled in the art that modifications may be made to the present inventive concepts without departing from the concepts disclosed herein. Such modifications are to be considered as included in the following claims, unless these claims by their language expressly state otherwise.

I claim:

1. A bumper system for vehicles comprising:
 - a tubular beam having front, top, bottom, and rear walls, and further having open tubular ends; and
 - a pair of mounting brackets each having a mounting section attached to the rear wall on an associated one of the open tubular ends and having an integral corner-forming section extending from the mounting section laterally around the associated one end to cover the associated one end and forwardly to a location where the corner-forming section attaches to the front wall of the associated one end.
2. The bumper system defined in claim 1, wherein the corner-forming section has top and bottom edges, with a majority of a length of the top and bottom edges of the corner-forming section being unattached to the beam.
3. The bumper system defined in claim 2, wherein the corner-forming section has a resilient portion including a top edge and a bottom edge, the top and bottom edges of the resilient portion being unattached to the beam.
4. A bumper system for vehicles comprising:
 - a tubular beam having front, top, bottom, and rear walls, and further having open tubular ends;
 - a pair of mounting brackets each having a mounting section attached to the rear wall on an associated one of the open tubular ends and having an integral corner-forming section extending from the mounting section laterally around the associated one end to cover the associated one end and forwardly to a location where the corner-forming section attaches to the front wall of the associated one end;
 - wherein the corner-forming section has top and bottom edges, with a majority of a length of the top and bottom edges of the corner-forming section being unattached to the beam, and having a resilient portion including a top edge and a bottom edge, the top and bottom edges of the resilient portion being unattached to the beam; and

wherein further the resilient portion of the corner-forming section has a non-planar bulbous shape that, when impacted, is designed to flex and bend toward the associated one end of the beam in a manner simulating flexure of a leaf spring.

5. A bumper system for vehicles comprising:

a tubular beam having front, top, bottom, and rear walls, and further having open tubular ends; and

a pair of mounting brackets each having a mounting section attached to the rear wall on an associated one of the open tubular ends and having an integral corner-forming section extending from the mounting section laterally around the associated one end to cover the associated one end and forwardly to a location where the corner-forming section attaches to the front wall of the associated one end;

wherein the corner-forming portion has a bulbous shape spaced from the associated open end and that is designed to flex toward the associated open end and absorb energy upon a corner vehicle impact.

6. The bumper system defined in claim 1, wherein an entire length of a top and bottom edge of the corner-forming section is not attached to the beam.

7. The bumper system defined in claim 6, wherein the corner-forming sections each have a constant horizontal cross section from the top edge to the bottom edge.

8. The bumper system defined in claim 1, wherein the mounting section has a constant horizontal cross section.

9. A bumper system for vehicles comprising:

a tubular beam having front, top, bottom, and rear walls, and further having open tubular ends; and

a pair of mounting brackets each having a mounting section attached to the rear wall on an associated one of the open tubular ends and having an integral corner-forming section extending from the mounting section laterally around the associated one end to

cover the associated one end and forwardly to a location where the corner-forming section attaches to the front wall of the associated one end;

wherein the mounting section includes bumper-attachment first flanges attached to the beam, vehicle-attachment second flanges adapted for attachment to a vehicle, and a plurality of legs extending between the first and second flanges for supporting the beam on the vehicle.

10. The bumper system defined in claim 1, wherein the front wall of the beam includes a first angled front surface at the associated one end, and the corner-forming section has a second angled front surface that forms an increased compound angle to the first angled front surface, the first and second angled front surfaces combining to form a corner of the vehicle.

11. A bumper system for vehicles comprising:

a tubular beam having front, top, bottom, and rear walls, and further having open tubular ends; and

a pair of mounting brackets each having a mounting section attached to the rear wall on an associated one of the open tubular ends and having an integral corner-forming section extending from the mounting section laterally around the associated one end to cover the associated one end and forwardly to a location where the corner-forming section attaches to the front wall of the associated one end;

wherein the mounting section and the corner-forming section combine to form a W-shaped bracket.

12. A bumper system for vehicles comprising:

a tubular beam having open ends; and

a pair of mounting brackets each having a U-shaped mounting section attached to the beam for supporting the beam on a vehicle, and having an outboard flange extending from the mounting section laterally around an associated one of the open ends and forwardly to a location where the outboard flange attaches to the front wall of the associated one end.

13. A bumper system for vehicles comprising:
a tubular beam having open ends; and
a pair of mounting brackets each having a U-shaped mounting section attached to the beam for supporting the beam on a vehicle, and having an outboard flange extending from the mounting section laterally around an associated one of the open ends and forwardly to a location where the outboard flange attaches to the front wall of the associated one end;
wherein the mounting section and the outboard flange combine to form a W-shaped bracket.
14. The bumper system defined in claim 12, wherein the outboard flange includes an intermediate section that is resilient, flexible, and unattached to the beam and that is spaced from the associated open end of the beam.
15. The bumper system defined in claim 12, wherein the pair of mounting brackets each have a constant cross-sectional shape, with one of the mounting brackets being a mirror image of the other mounting bracket.
16. A bumper system for vehicles comprising:
a tubular beam having opposing ends; and
a pair of mounting brackets each having a mounting section attached to a rear surface of the beam for supporting the beam on a vehicle, and each further having an outboard flange spaced from an associated one of the opposing ends, the outboard flange extending from the mounting section, laterally covering the associated opposing end, to a front surface of the associated one end.
17. The bumper system defined in claim 16, wherein the outboard flange includes a resilient section.
18. The bumper system defined in claim 16, wherein the outboard flange includes parallel stiffening channels integrally formed therein.

19. A bumper system for vehicles comprising:
a beam having opposing ends and a first front surface;
mounting brackets attached to the beam for supporting the beam on a vehicle;
an energy absorber engaging the first front surface and extending to the ends, the energy absorber having a second front surface; and
the mounting brackets each including an outboard leg that extends around an associated one of the ends and that has a third front surface that generally aligns with and extends outboard from the second front surface of the energy absorber.
20. The bumper system defined in claim 19, wherein the beam is longitudinally curved, and wherein the third front surface on each of the outboard legs defines a rearward angle with the first front surface on the associated ends of the beam for forming non-square aerodynamically-shaped corners of the vehicle.
21. The bumper system defined in claim 1, wherein the ends of the beam have a window formed therein to strategically weaken the beam for improved energy absorption during a corner impact.
22. The bumper system defined in claim 12, wherein the ends of the beam have a window formed therein to strategically weaken the beam for improved energy absorption during a corner impact.
23. The bumper system defined in claim 16, wherein the ends of the beam have a window formed therein to strategically weaken the beam for improved energy absorption during a corner impact.
24. The bumper system defined in claim 19, wherein the ends of the beam have a window formed therein to strategically weaken the beam for improved energy absorption during a corner impact.

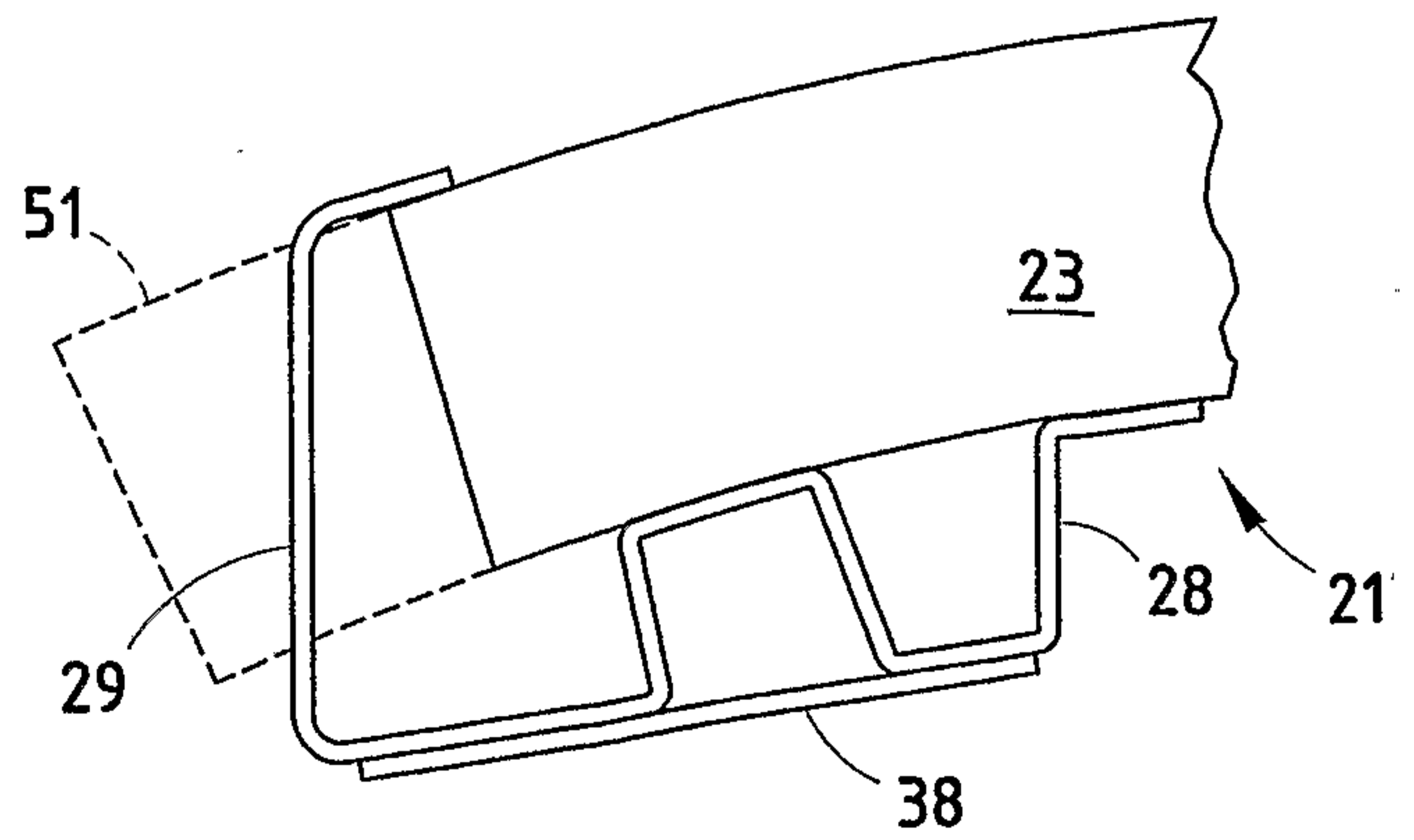
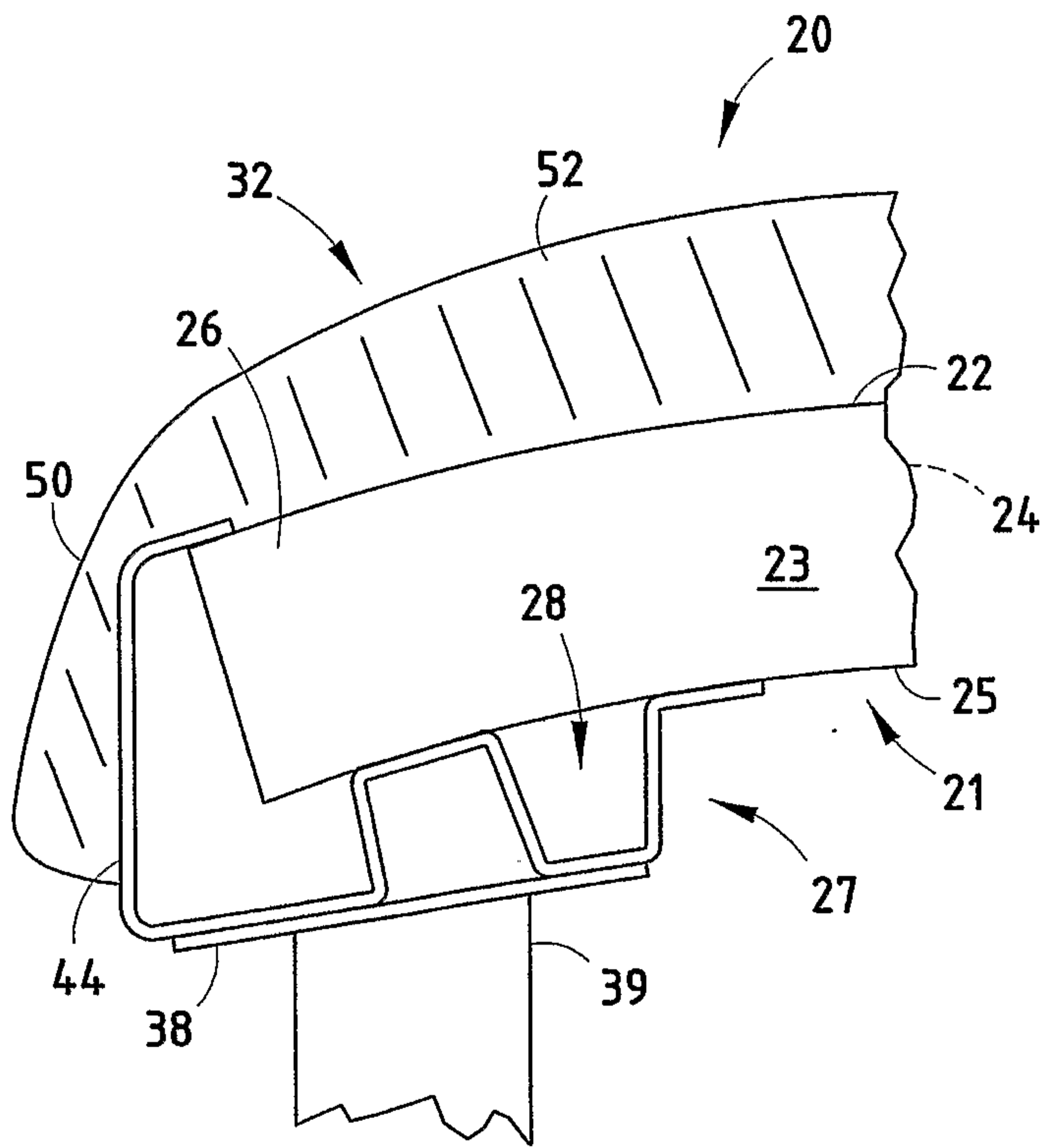
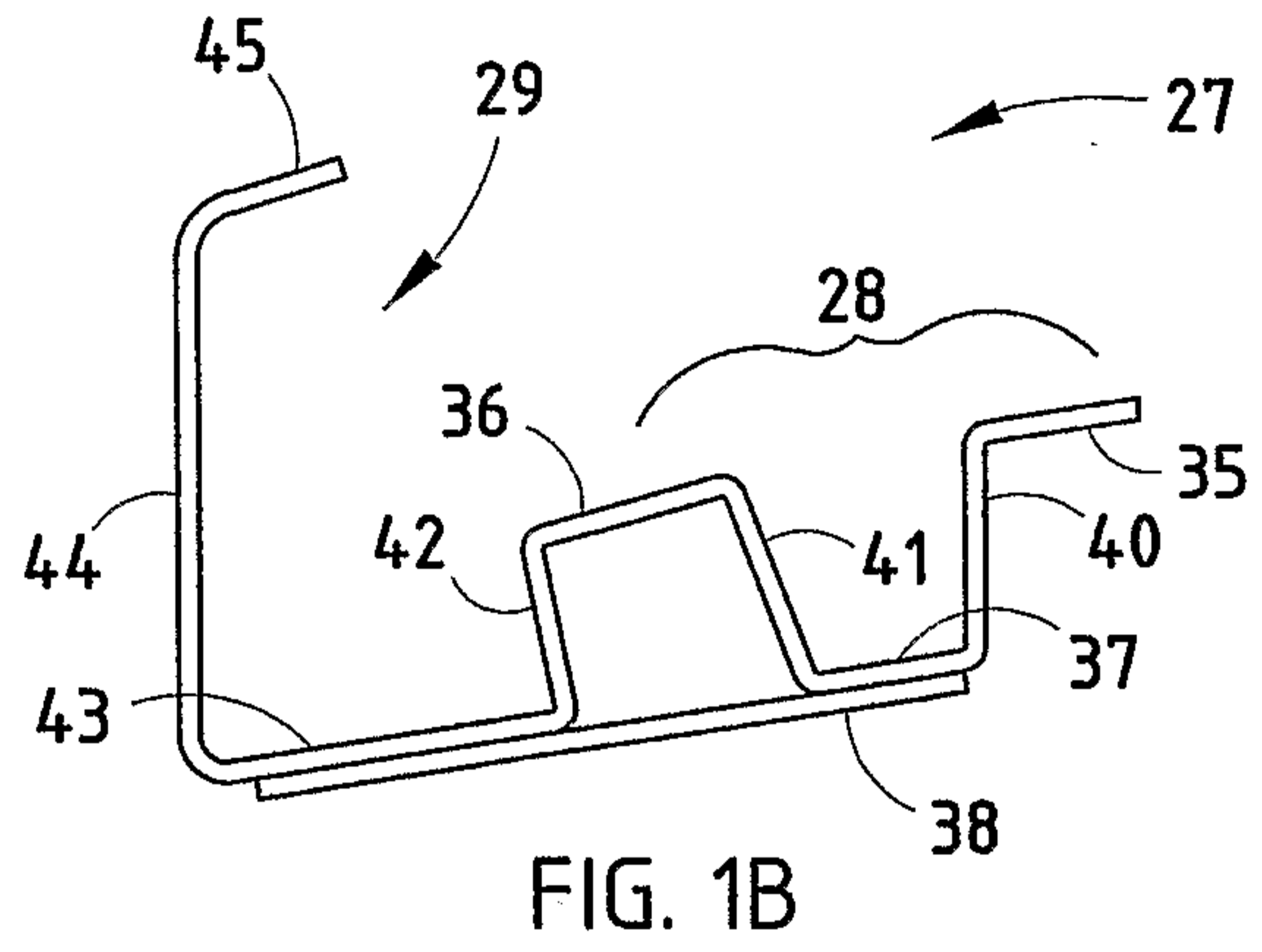
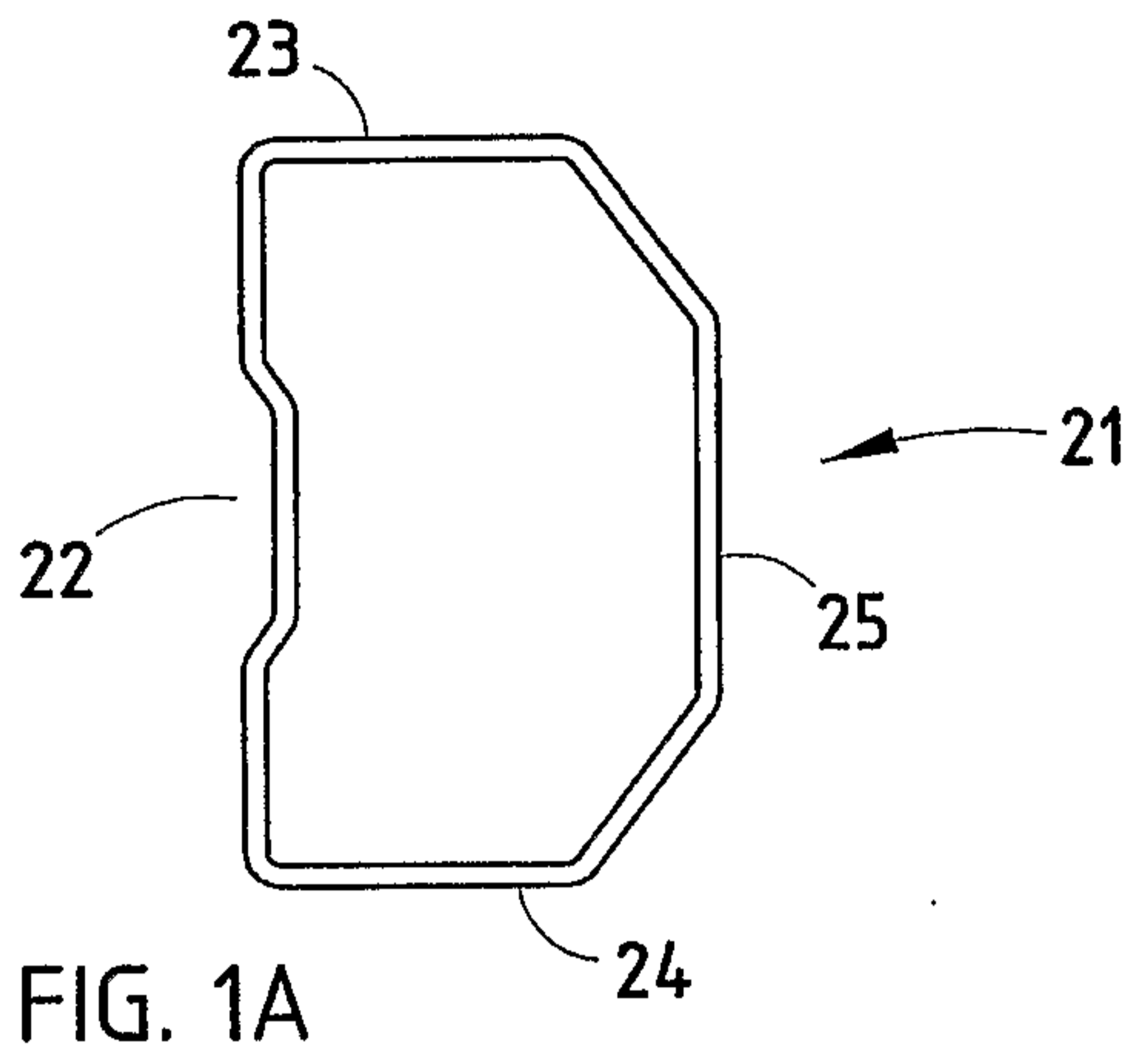
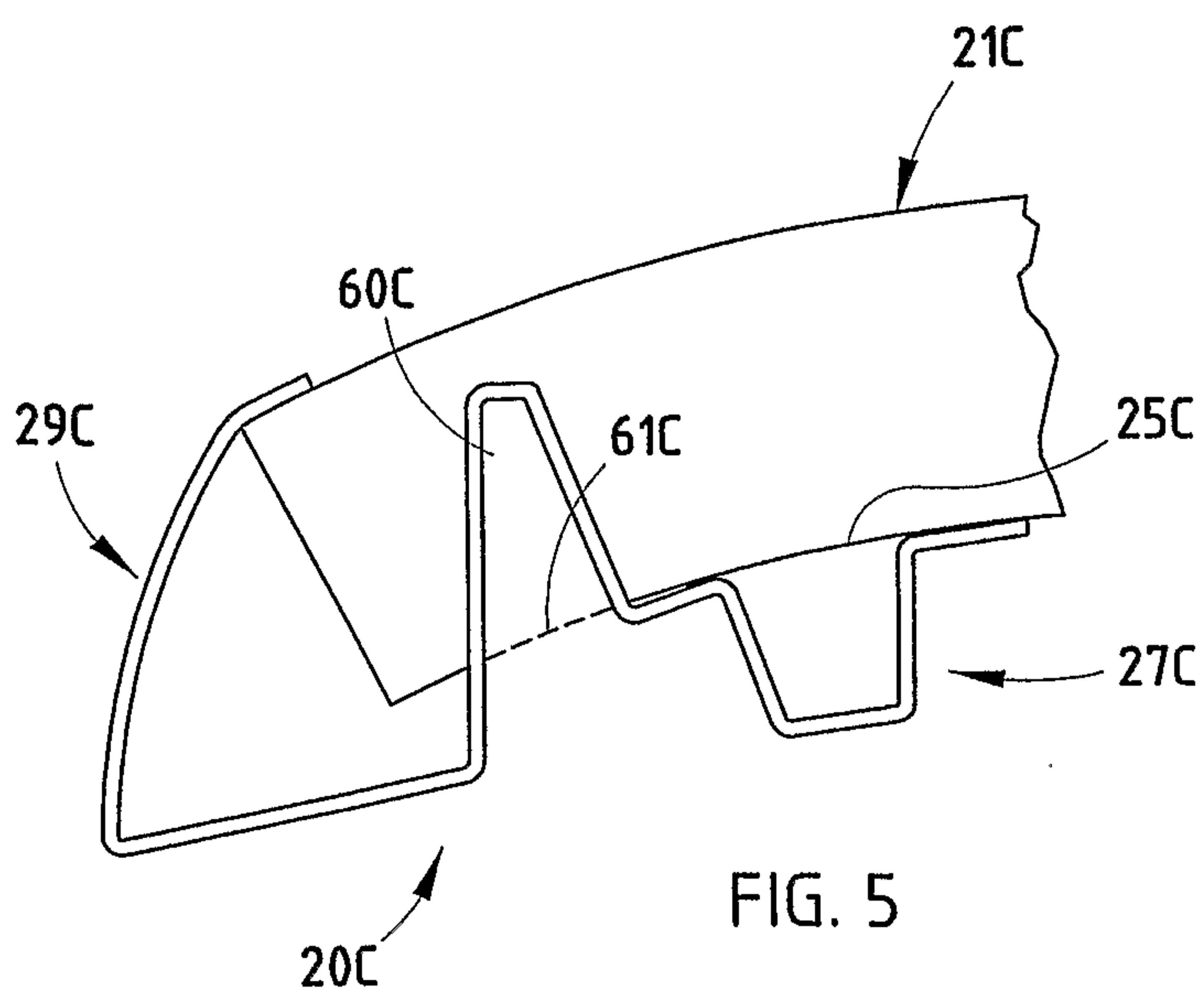
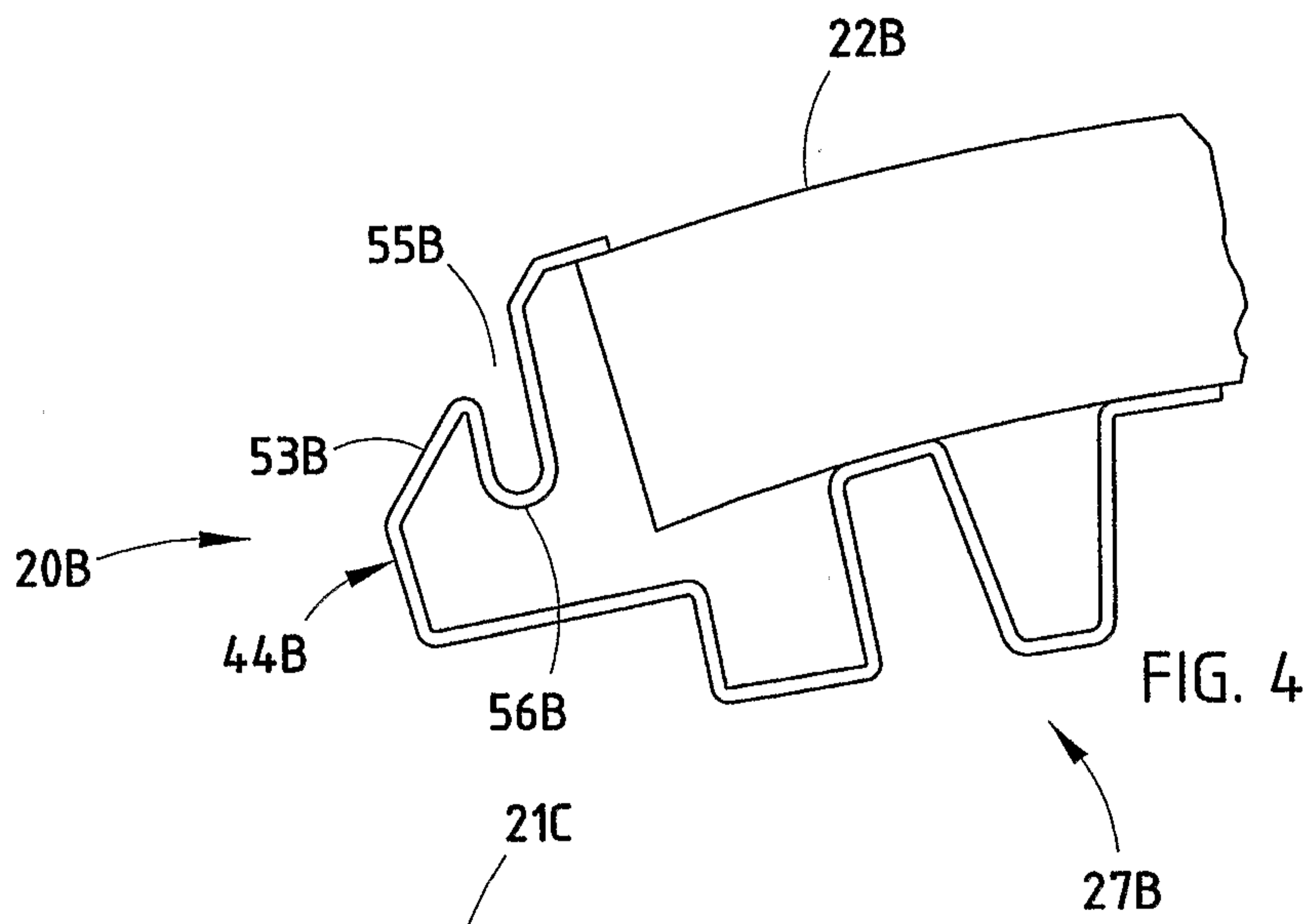
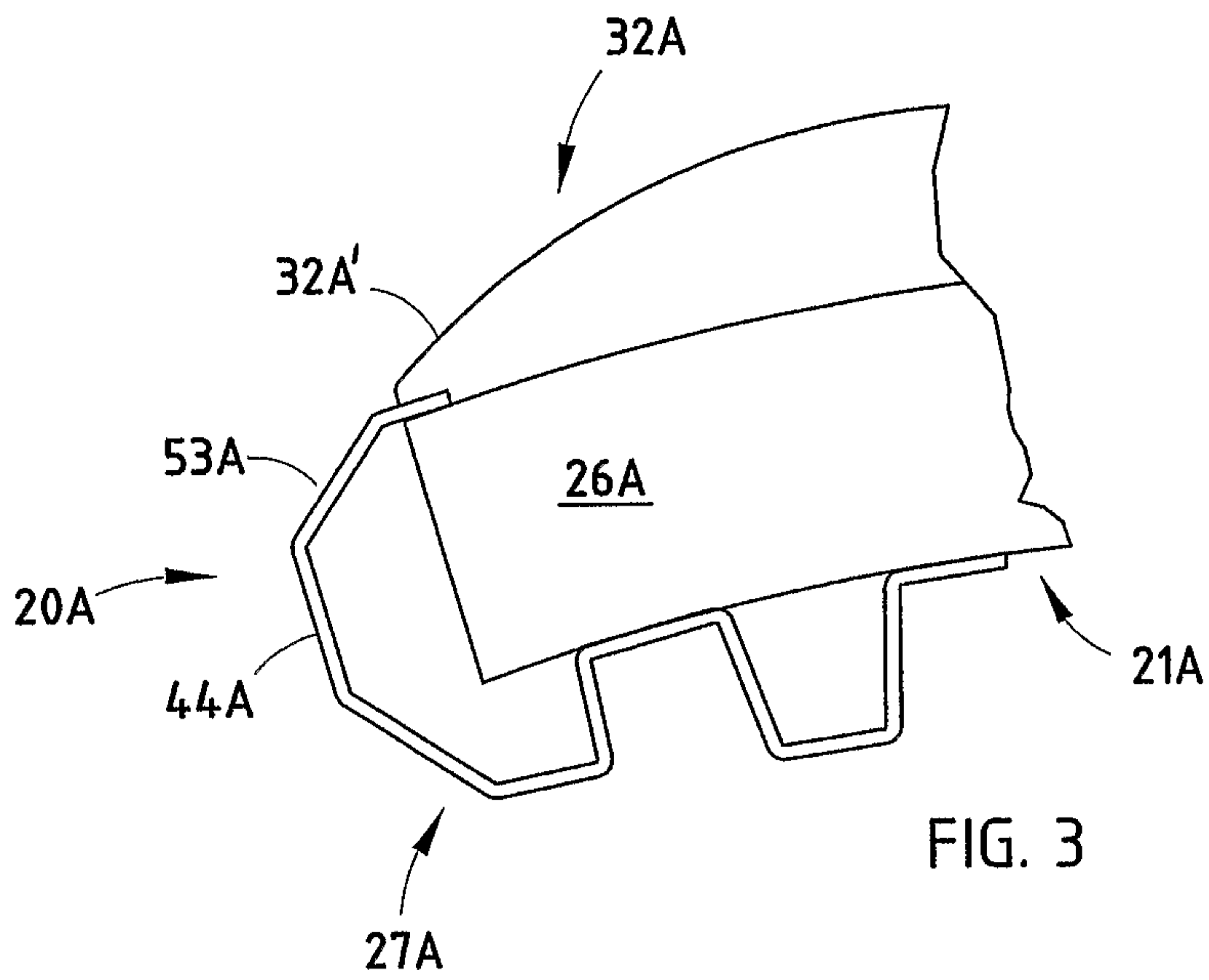


FIG. 1

FIG. 2



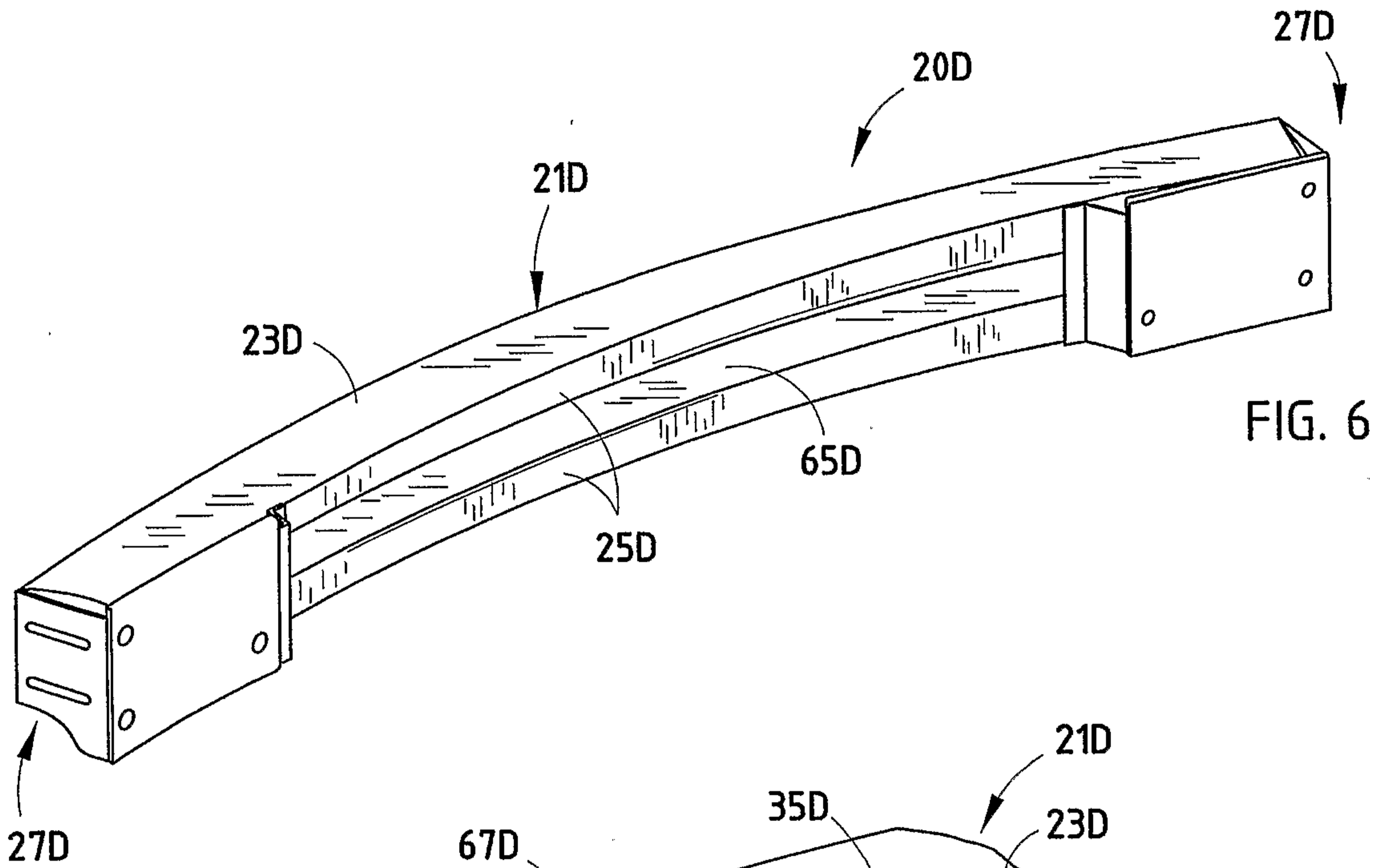


FIG. 6

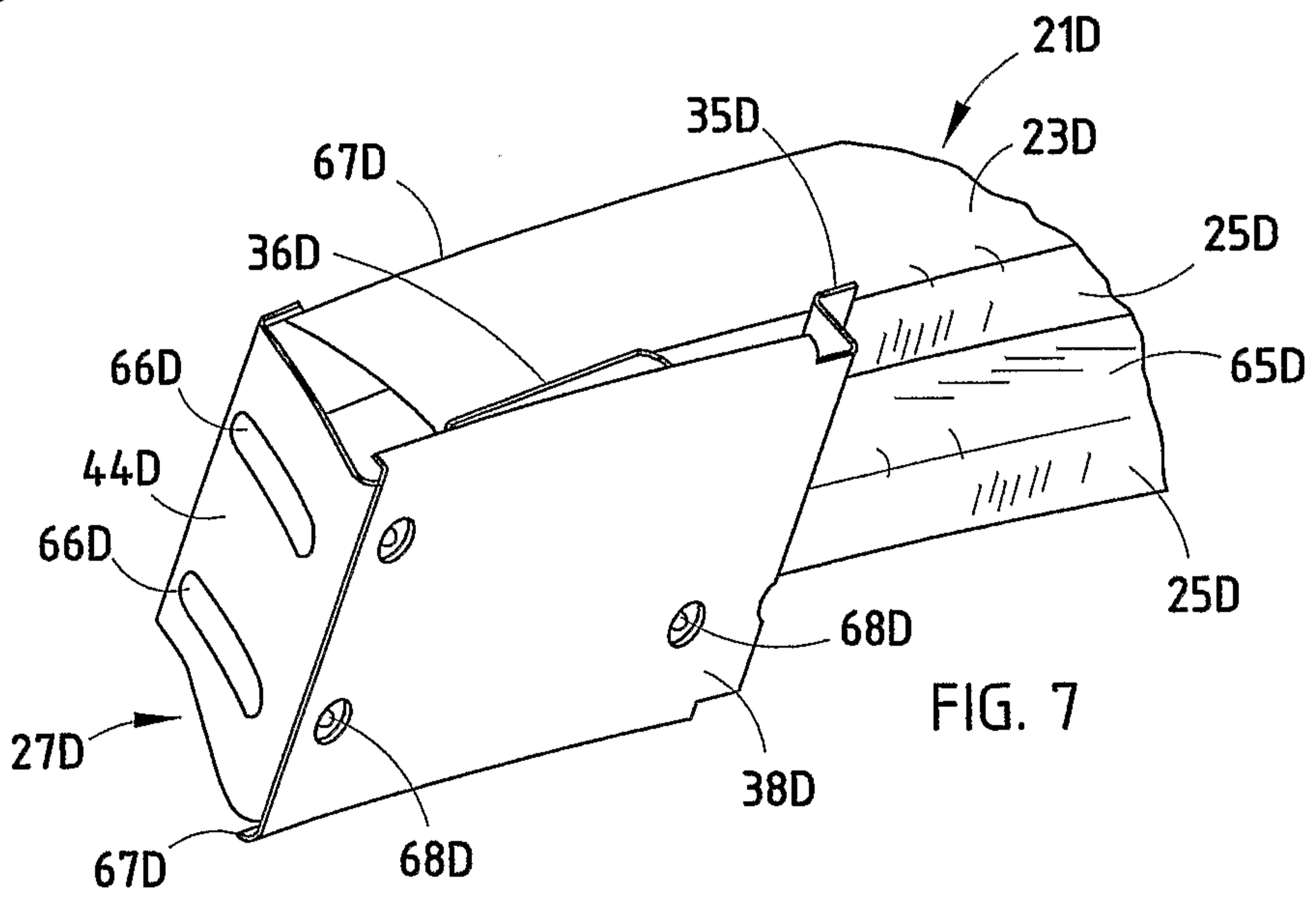


FIG. 7

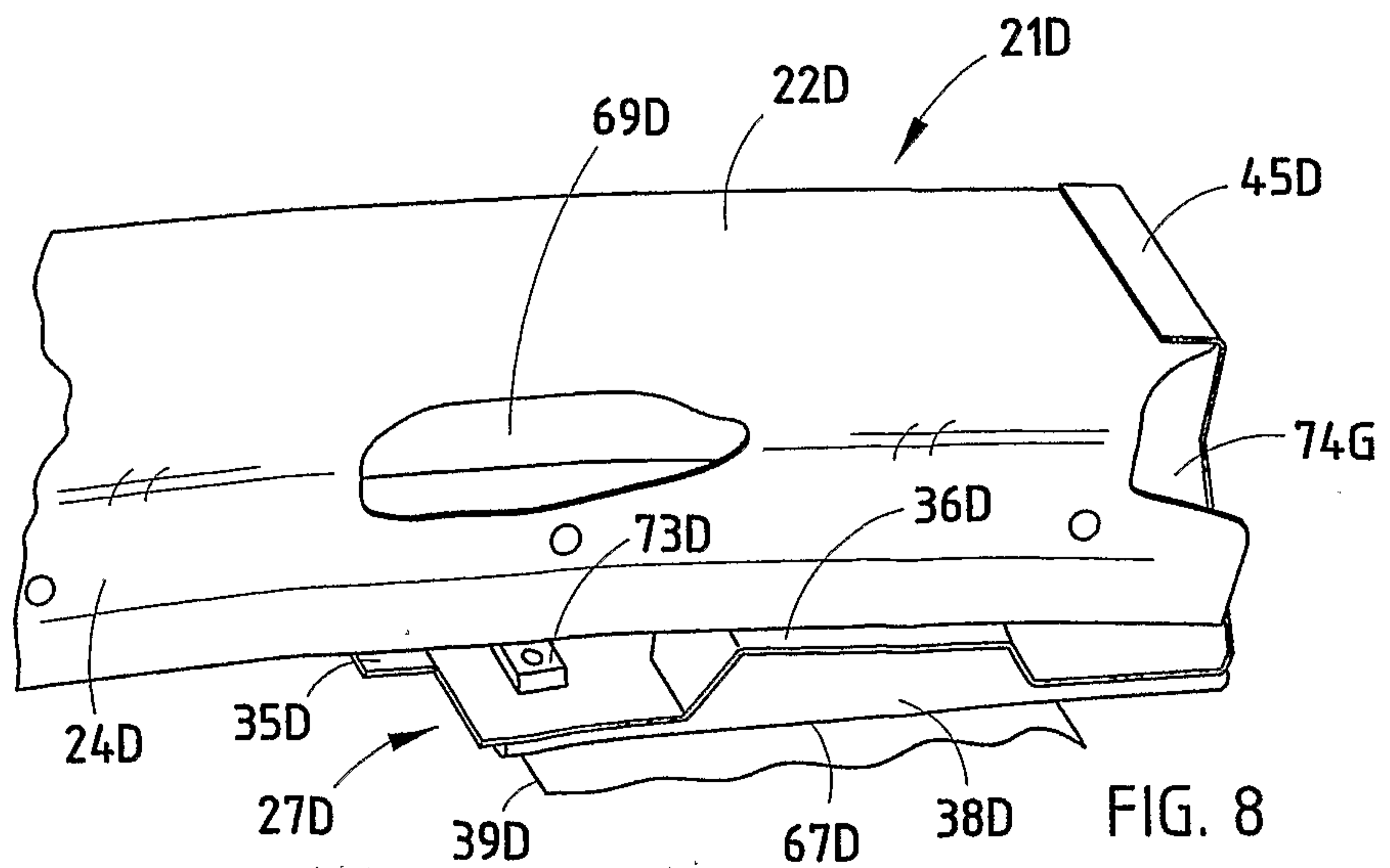


FIG. 8

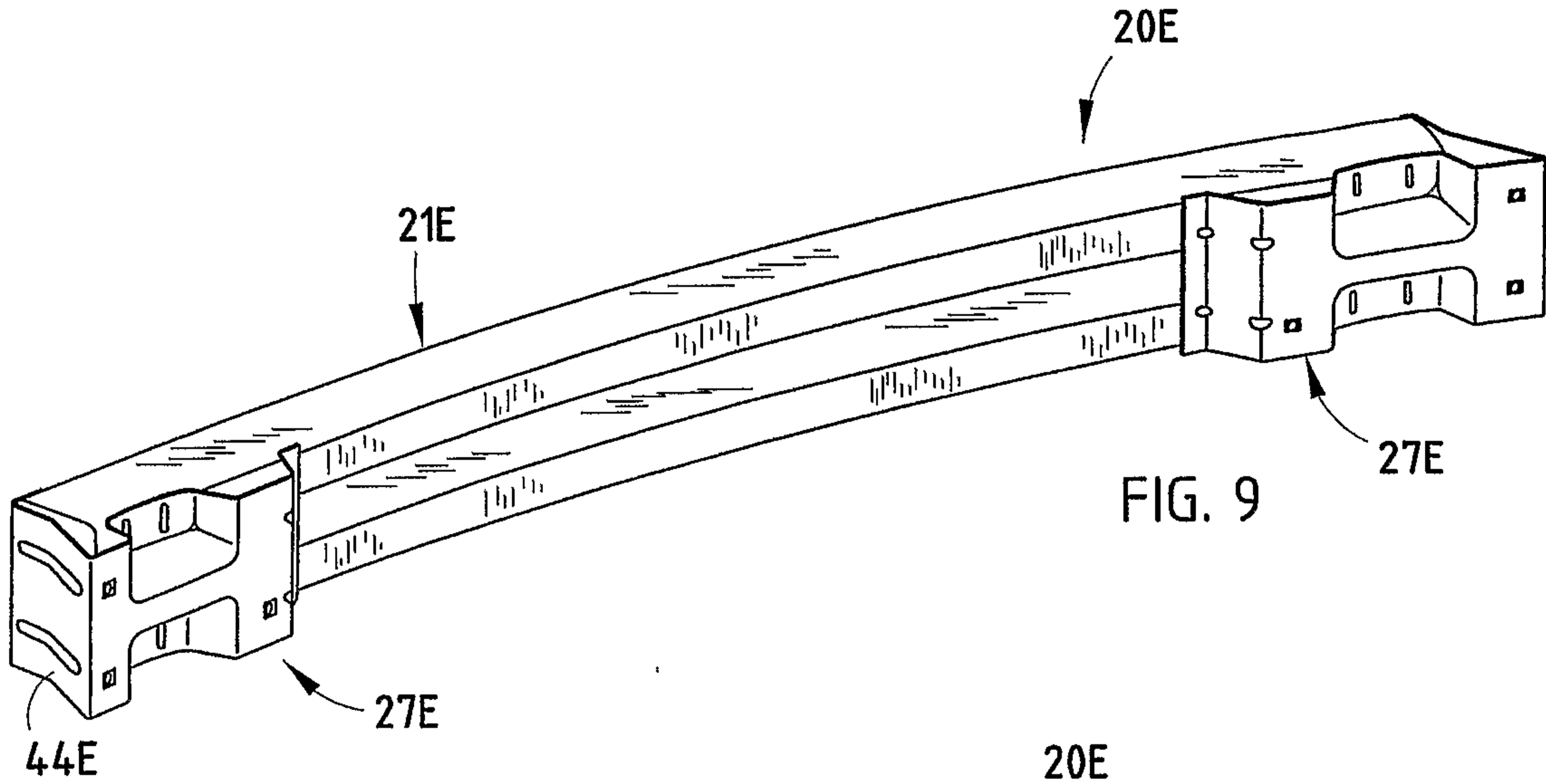


FIG. 9

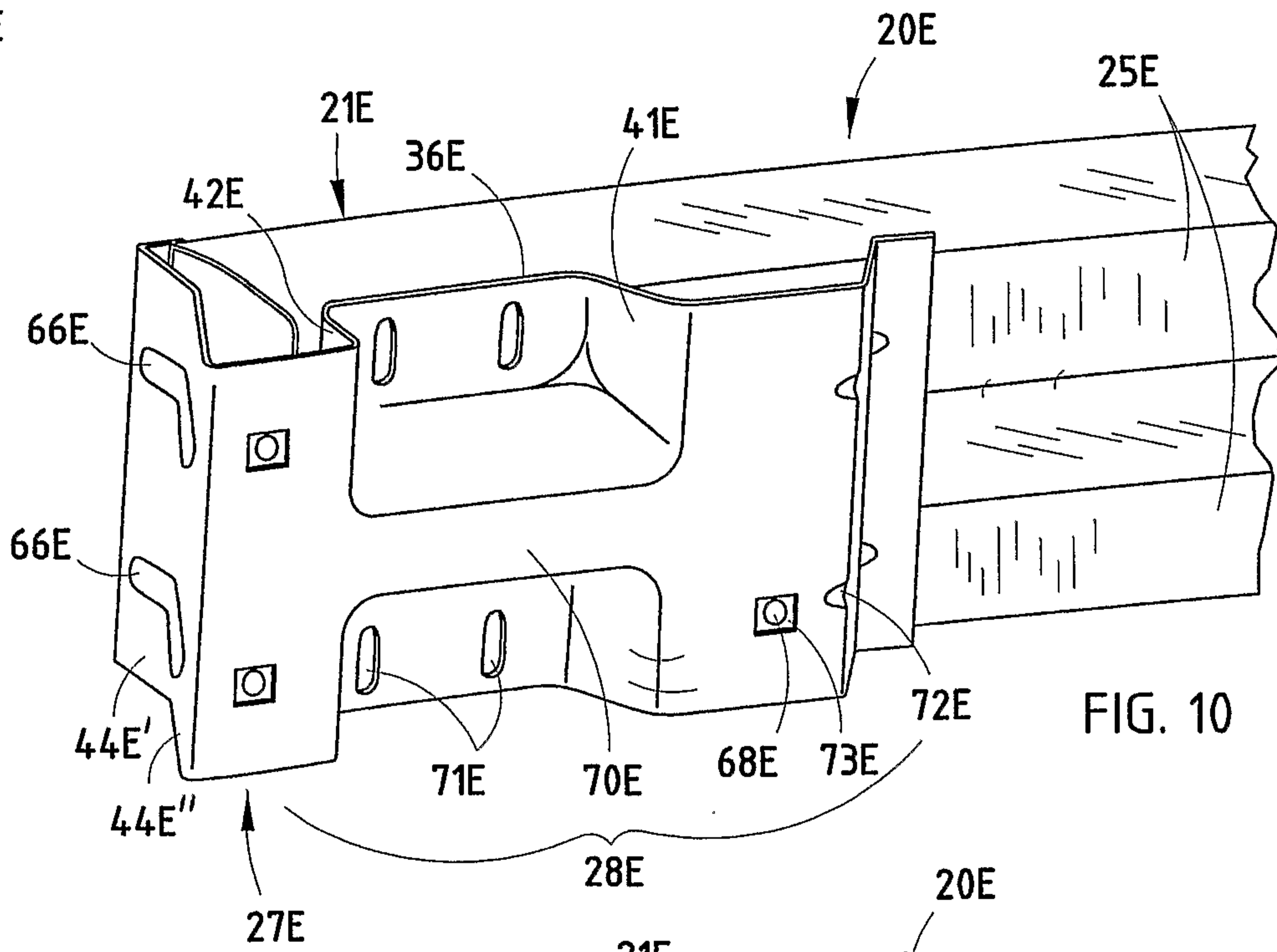


FIG. 10

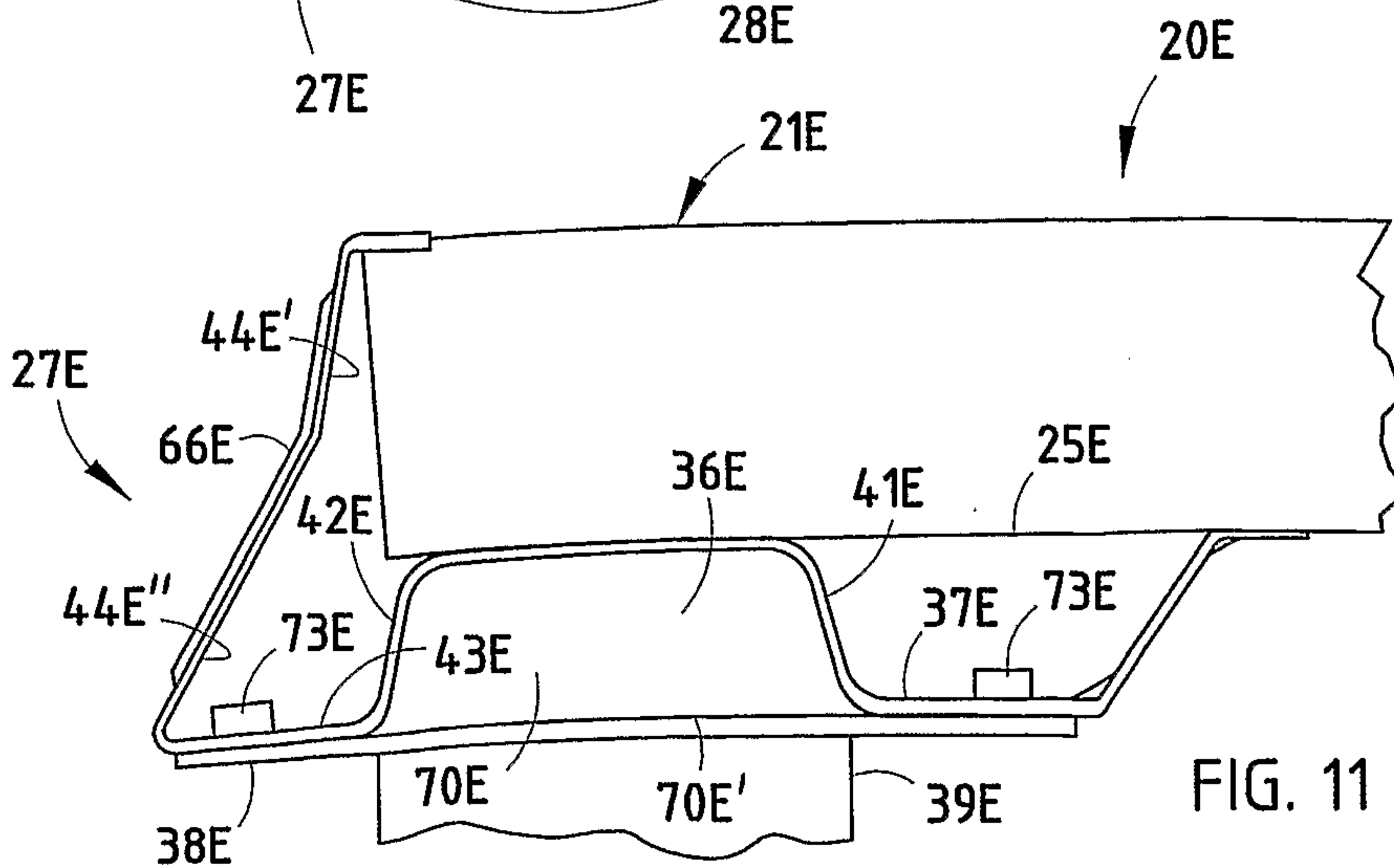


FIG. 11

