

(19) World Intellectual Property Organization  
International Bureau



(43) International Publication Date  
11 December 2008 (11.12.2008)

(10) International Publication Number  
**WO 2008/150102 A3**

- (51) **International Patent Classification:**  
A23L 3/32 (2006.01) F25D 23/12 (2006.01)  
A23L 3/36 (2006.01)
- (21) **International Application Number:**  
PCT/KR2008/003134
- (22) **International Filing Date:**  
4 June 2008 (04.06.2008)
- (25) **Filing Language:** English
- (26) **Publication Language:** English
- (30) **Priority Data:**  
10-2007-0054872 5 June 2007 (05.06.2007) KR
- (71) **Applicant (for all designated States except US):** LG ELECTRONICS, INC. [KR/KR]; 20, Yoido-Dong, Yongdungpo-Ku, Seoul 150-010 (KR).
- (72) **Inventors; and**
- (75) **Inventors/Applicants (for US only):** KIM, Su-Cheong [KR/KR]; 102-104, LG Dormitory, LG Electronics, Gaeumjeong-dong, Changwon-shi, Gyeongsangnam-do 641-711 (KR). SHIN, Jong-Min [KR/KR]; 110-1003, Samsung Apt., Munhyun-dong, Nam-gu, Busan 608-040 (KR). YOUN, Deok-Hyun [KR/KR]; 203-803, Buyoung e-Green 8-Cha Apt., Gwandong-ri, Jangyou-myon Gimhae-shi, Gyeongsangnam-do 621-831 (KR). KIM, Cheol-Hwan [KR/KR]; 112-1205, Union-Village Apt., Seongju-dong, Changwon-shi, Gyeongsangnam-do 641-120 (KR). CHUNG, Won-Young [KR/KR]; 101-401, LG Dormitory, LG Electronics, Gaeumjeong-

dong, Changwon-shi, Gyeongsangnam-do 641-711 (KR). LEE, Hoon-Bong [KR/KR]; 6-103, Eunah Apt., Gaeum-dong, Changwon-shi, Gyeongsangnam-do 641-930 (KR).

(74) **Agent:** LEE, Kwang-Yeon; LEE & KIM, 5th Floor, New-Seoul Bldg., 828-8, Yoksam 1-Dong, Kangnam-Ku, Seoul 135-935 (KR).

(81) **Designated States (unless otherwise indicated, for every kind of national protection available):** AE, AG, AL, AM, AO, AT, AU, AZ, BA, BB, BG, BH, BR, BW, BY, BZ, CA, CH, CN, CO, CR, CU, CZ, DE, DK, DM, DO, DZ, EC, EE, EG, ES, FI, GB, GD, GE, GH, GM, GT, HN, HR, HU, ID, IL, IN, IS, JP, KE, KG, KM, KN, KP, KZ, LA, LC, LK, LR, LS, LT, LU, LY, MA, MD, ME, MG, MK, MN, MW, MX, MY, MZ, NA, NG, NI, NO, NZ, OM, PG, PH, PL, PT, RO, RS, RU, SC, SD, SE, SG, SK, SL, SM, SV, SY, TJ, TM, TN, TR, TT, TZ, UA, UG, US, UZ, VC, VN, ZA, ZM, ZW.

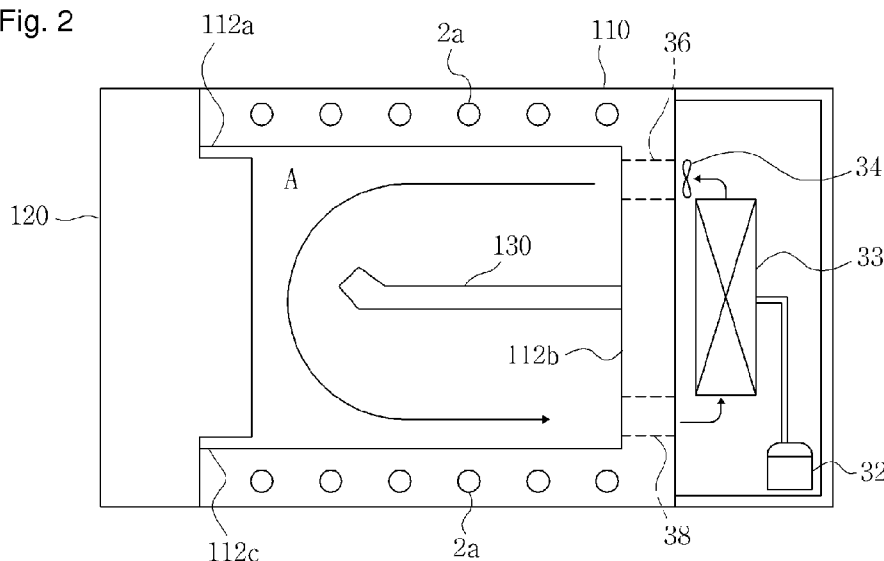
(84) **Designated States (unless otherwise indicated, for every kind of regional protection available):** ARIPO (BW, GH, GM, KE, LS, MW, MZ, NA, SD, SL, SZ, TZ, UG, ZM, ZW), Eurasian (AM, AZ, BY, KG, KZ, MD, RU, TJ, TM), European (AT, BE, BG, CH, CY, CZ, DE, DK, EE, ES, FI, FR, GB, GR, HR, HU, IE, IS, IT, LT, LU, LV, MC, MT, NL, NO, PL, PT, RO, SE, SI, SK, TR), OAPI (BF, BJ, CF, CG, CI, CM, GA, GN, GQ, GW, ML, MR, NE, SN, TD, TG).

**Published:**  
— with international search report (Art. 21(3))

[Continued on next page]

(54) **Title:** SUPERCOOLING APPARATUS

Fig. 2



(57) **Abstract:** The present invention is directed to a supercooling apparatus capable of maintaining a supercooled state of a stored item stably for an extended period of time by supplying energy through a magnetic field being generated. The supercooling apparatus comprises: a container having a defined storage space (A) to store an item; a refrigeration cycle for cooling the storage space (A); and a power supply path consisting of wires (2a) wound around the storage space (A) and a power source for supplying power to the wires (2a), so as to maintain the stored item in a non-frozen state at a phase transition temperature or below.

WO 2008/150102 A3



---

— *before the expiration of the time limit for amending the claims and to be republished in the event of receipt of amendments (Rule 48.2(h))*

**(88) Date of publication of the international search report:**  
24 September 2009

## INTERNATIONAL SEARCH REPORT

International application No.  
PCT/KR 2008/003134

A. CLASSIFICATION OF SUBJECT MATTER IPC <sup>8</sup> : <b>A23L 3/32</b> (2006.01); <b>A23L 3/36</b> (2006.01); <b>F25D 23/12</b> (2006.01) According to International Patent Classification (IPC) or to both national classification and IPC		
B. FIELDS SEARCHED		
Minimum documentation searched (classification system followed by classification symbols) IPC <sup>8</sup> : A23L, F25D		
Documentation searched other than minimum documentation to the extent that such documents are included in the fields searched		
Electronic data base consulted during the international search (name of data base and, where practicable, search terms used) EPODOC, WPI		
C. DOCUMENTS CONSIDERED TO BE RELEVANT		
Category*	Citation of document, with indication, where appropriate, of the relevant passages	Relevant to claim No.
X	EP 1 447 632 A1 (ABI CO LTD) 18 August 2004 (18.08.2004) <i>fig. 1</i> --	1,2, 4-6
A	WO 1985/002094 A1 (MAXWELL) 23 May 1985 (23.05.1985) <i>fig.</i> ---	1,3
<input type="checkbox"/> Further documents are listed in the continuation of Box C. <input checked="" type="checkbox"/> See patent family annex.		
* Special categories of cited documents: "A" document defining the general state of the art which is not considered to be of particular relevance "E" earlier application or patent but published on or after the international filing date "L" document which may throw doubts on priority claim(s) or which is cited to establish the publication date of another citation or other special reason (as specified) "O" document referring to an oral disclosure, use, exhibition or other means "P" document published prior to the international filing date but later than the priority date claimed "T" later document published after the international filing date or priority date and not in conflict with the application but cited to understand the principle or theory underlying the invention "X" document of particular relevance; the claimed invention cannot be considered novel or cannot be considered to involve an inventive step when the document is taken alone "Y" document of particular relevance; the claimed invention cannot be considered to involve an inventive step when the document is combined with one or more other such documents, such combination being obvious to a person skilled in the art "&" document member of the same patent family		
Date of the actual completion of the international search 7 July 2009 (07.07.2009)		Date of mailing of the international search report 10 August 2009 (10.08.2009)
Name and mailing address of the ISA/ AT <b>Austrian Patent Office</b> Dresdner Straße 87, A-1200 Vienna Facsimile No. +43 / 1 / 534 24 / 535		Authorized officer <b>KUTZENBERGER T.</b> Telephone No. +43 / 1 / 534 24 / 577

## INTERNATIONAL SEARCH REPORT

Information on patent family members

International application No.  
PCT/KR2008/003134

Patent document cited in search report	Publication date	Patent family member(s)	Publication date
EP A 1447632		US A1 2005005611	2005-01-13
		WO A1 03038355	2003-05-08
		EP A1 1447632	2004-08-18
		JP A 2003139460	2003-05-14
WO A 8502094		FI A 852711	1985-07-09
		DK A 301285	1985-07-02
		NO A 852633	1985-07-01
		CA A1 1245033	1988-11-22
		WO A1 8502094	1985-05-23
		JP T 61500533T	1986-03-27