



US00D350280S

# United States Patent [19]

[11] Patent Number: Des. 350,280

Philpott et al.

[45] Date of Patent: \*\* Sep. 6, 1994

[54] CARPET PROTECTING FURNITURE SUPPORT

D. 44,996	12/1913	Buser .....	D8/374
3,108,393	10/1963	Baker .	
3,705,704	12/1972	Textoris .	
3,858,838	1/1975	Woodhouse .	

[76] Inventors: **Guy Philpott; Scott Shaw**, both of 103 El Oriente, Apt. 6, San Clemente, Calif. 92672

*Primary Examiner*—Wallace R. Burke  
*Assistant Examiner*—H. Baynham  
*Attorney, Agent, or Firm*—Terry M. Gernstein

[\*\*] Term: **14 Years**

[57] CLAIM

[21] Appl. No.: **4,093**

The ornamental design for a carpet protecting furniture support, as shown and described.

[22] Filed: **Jan. 27, 1993**

[52] U.S. Cl. .... **D8/374**

DESCRIPTION

[58] Field of Search ..... D8/374; 16/32 AZ R; 248/188.8, 346.1

FIG. 1 is a front, top and side perspective view of the carpet protecting furniture support showing my new design;

[56] **References Cited**

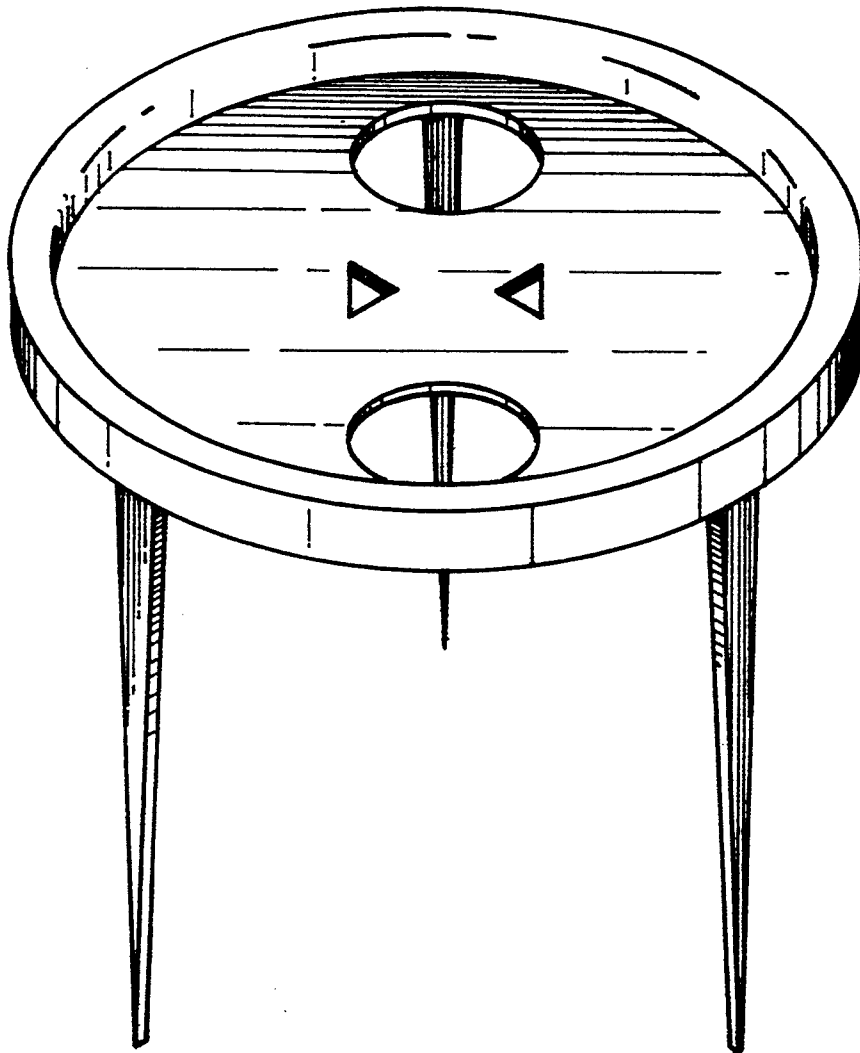
**U.S. PATENT DOCUMENTS**

D. 33,498	11/1900	Salomon .....	D8/374
D. 44,952	12/1913	Buser .....	D8/374

FIG. 2 is a front elevational view thereof, all elevational views being similar to the view shown;

FIG. 3 is a top plan view thereof; and,

FIG. 4 is a bottom plan view thereof.



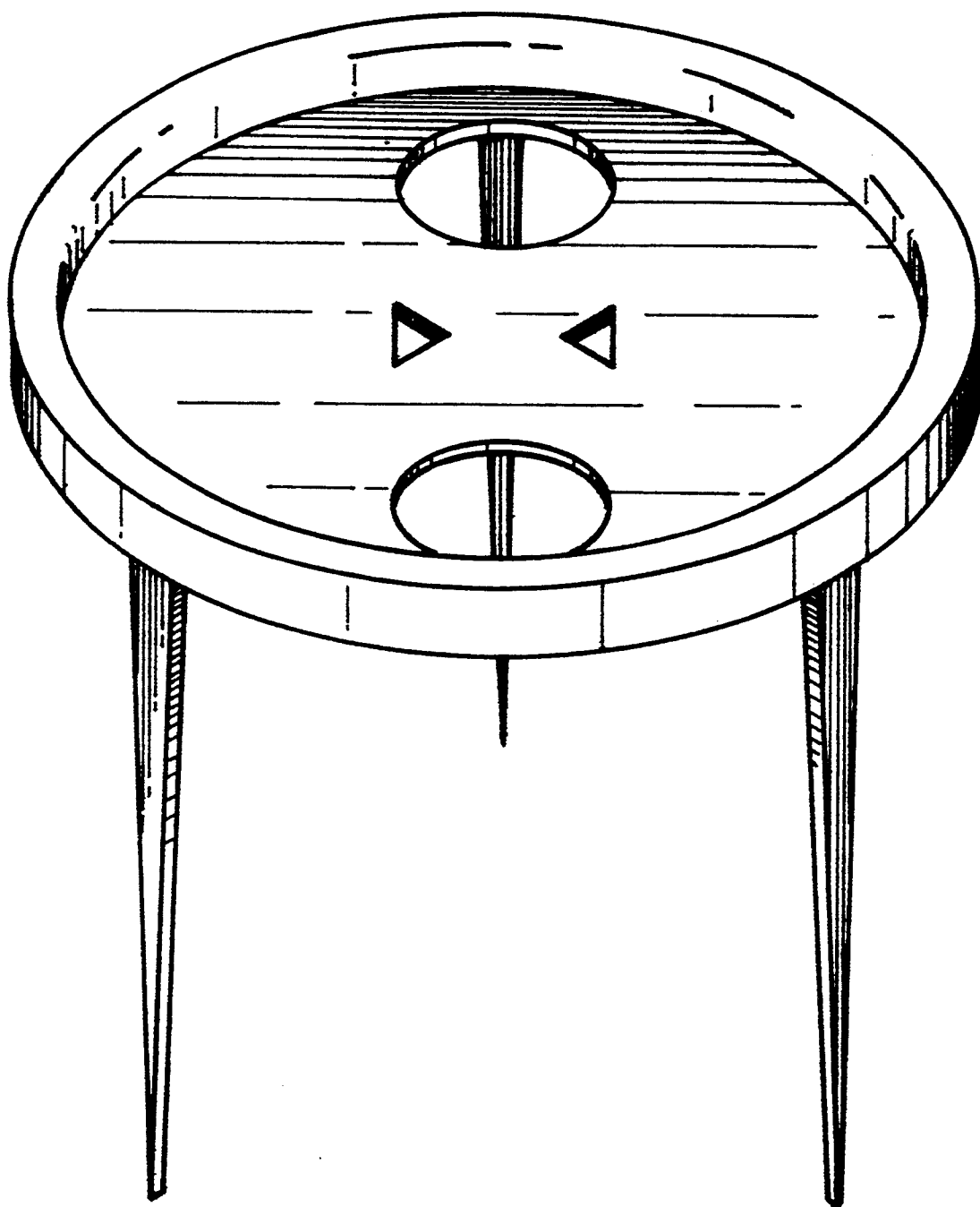


FIG. 1

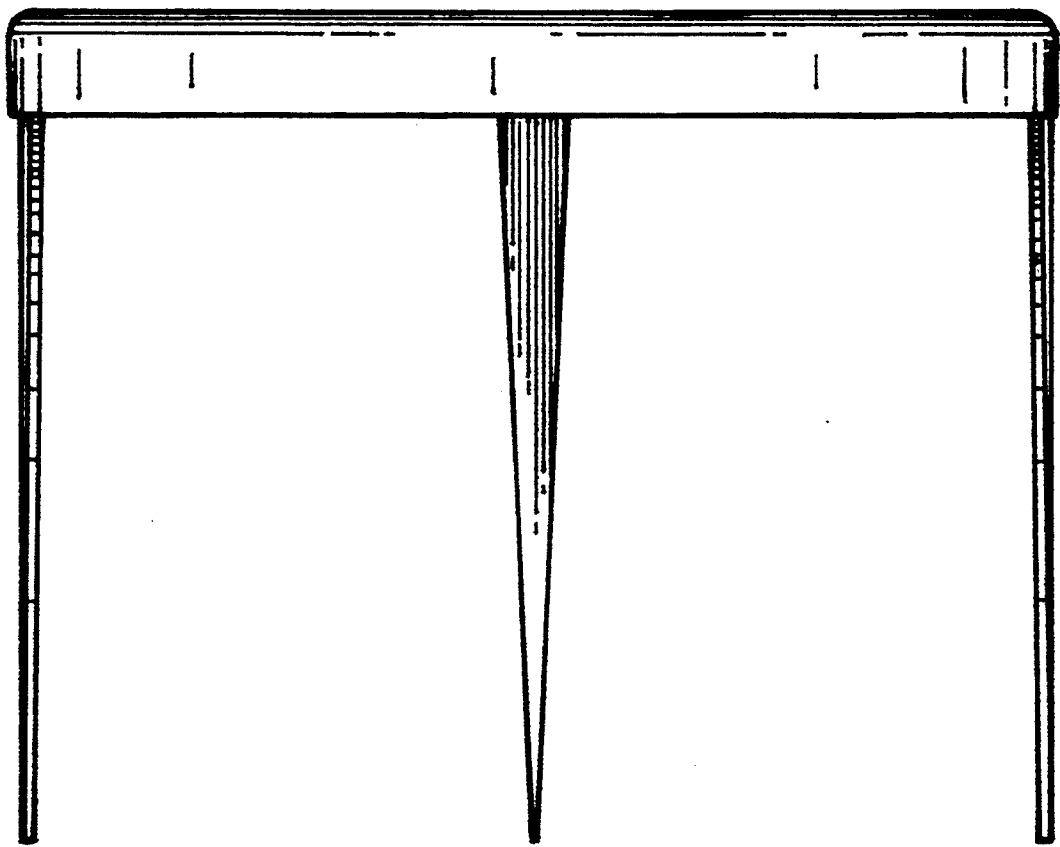


FIG. 2

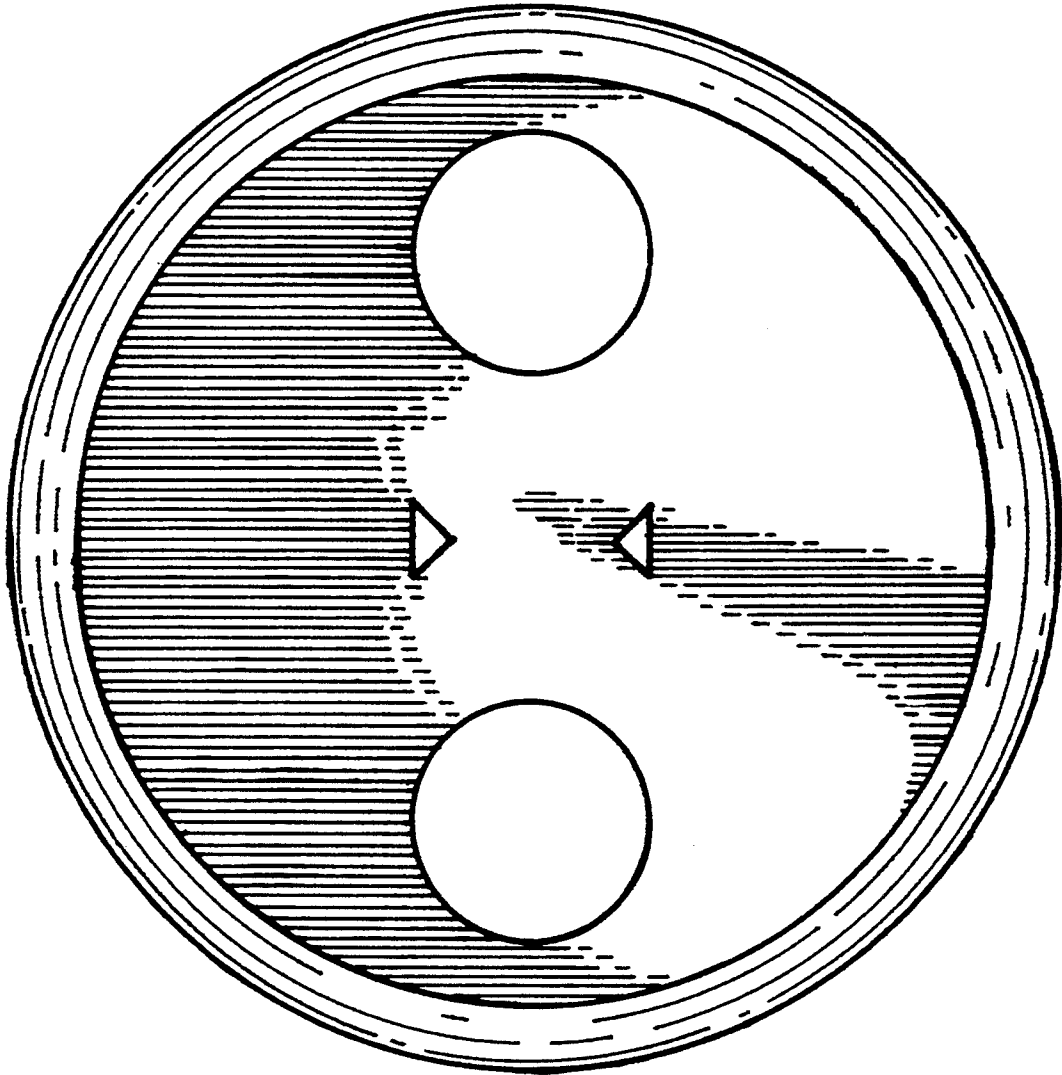


FIG. 3

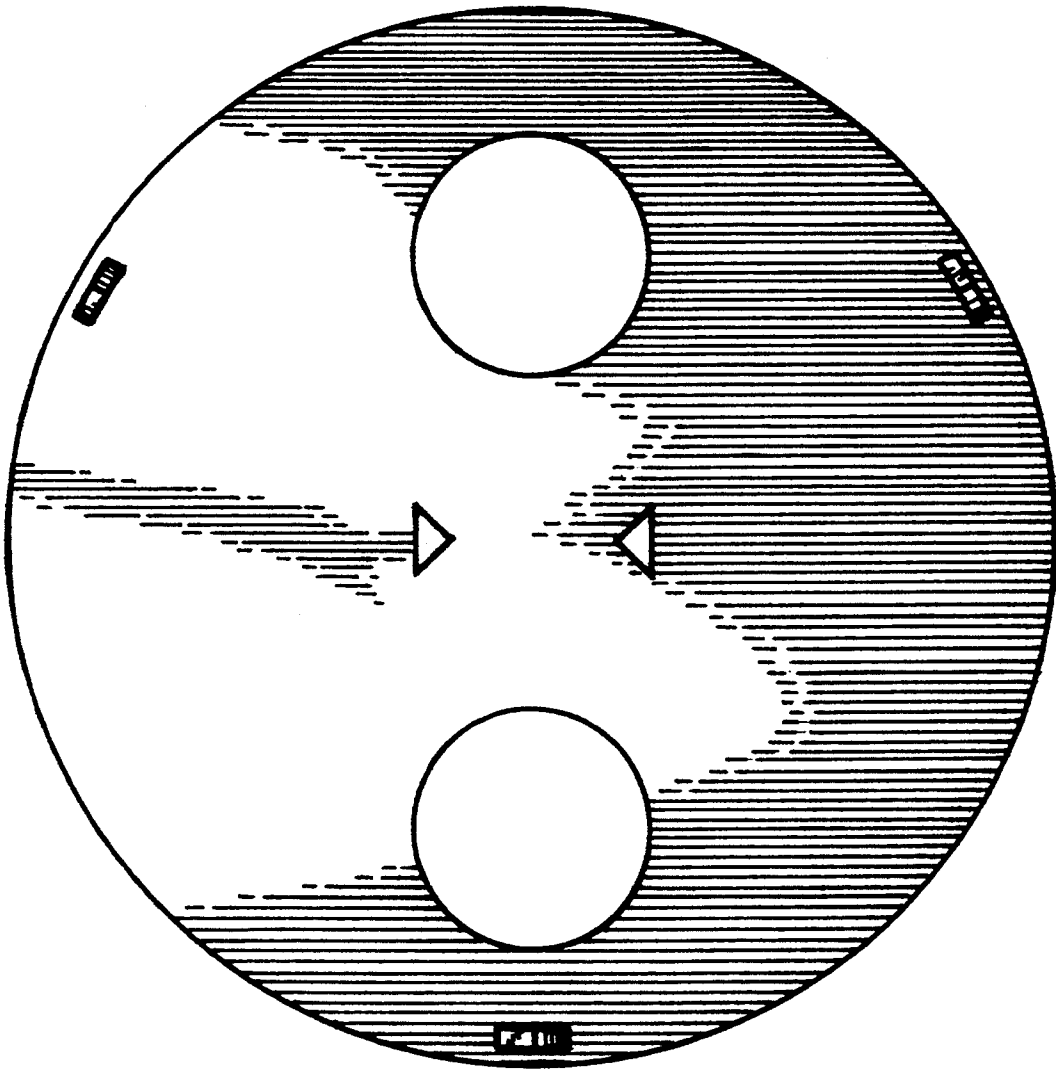


FIG. 4