



- (51) International Patent Classification:
H04L 1/00 (2006.01) *H04B 10/29* (2013.01)
- (21) International Application Number:
PCT/EP2016/000670
- (22) International Filing Date:
22 April 2016 (22.04.2016)
- (25) Filing Language: English
- (26) Publication Language: English
- (30) Priority Data:
15305632.0 24 April 2015 (24.04.2015) EP
- (71) Applicant: **ALCATEL LUCENT** [FR/FR]; 148/152
Route de la Reine, 92100 Boulogne-Billancourt (FR).
- (72) Inventors: **BUCHALL, Fred**; Alcatel-Lucent Deutschland
AG, Lorenzstrasse 10, 70435 Stuttgart (DE). **SCH-
MALEN, Laurent**; Alcatel-Lucent Deutschland AG,
Lorenzstrasse 10, 70435 Stuttgart (DE). **DISCHLER, Ro-
man**; Alcatel-Lucent Deutschland AG, Lorenzstrasse 10,
70435 Stuttgart (DE). **DEMBECK, Lars**; Alcatel-Lucent
Deutschland AG, Lorenzstrasse 10, 70435 Stuttgart (DE).
LEVEN, Andreas; Alcatel-Lucent Deutschland AG,
Lorenzstrasse 10, 70435 Stuttgart (DE).
- (74) Agents: **MENZIETTI, Domenico** et al.; Alcatel-lucent
Deutschland AG, Lorenzstrasse 10, 70435 Stuttgart (DE).

- (81) Designated States (unless otherwise indicated, for every
kind of national protection available): AE, AG, AL, AM,
AO, AT, AU, AZ, BA, BB, BG, BH, BN, BR, BW, BY,
BZ, CA, CH, CL, CN, CO, CR, CU, CZ, DE, DK, DM,
DO, DZ, EC, EE, EG, ES, FI, GB, GD, GE, GH, GM, GT,
HN, HR, HU, ID, IL, IN, IR, IS, JP, KE, KG, KN, KP, KR,
KZ, LA, LC, LK, LR, LS, LU, LY, MA, MD, ME, MG,
MK, MN, MW, MX, MY, MZ, NA, NG, NI, NO, NZ, OM,
PA, PE, PG, PH, PL, PT, QA, RO, RS, RU, RW, SA, SC,
SD, SE, SG, SK, SL, SM, ST, SV, SY, TH, TJ, TM, TN,
TR, TT, TZ, UA, UG, US, UZ, VC, VN, ZA, ZM, ZW.
- (84) Designated States (unless otherwise indicated, for every
kind of regional protection available): ARIPO (BW, GH,
GM, KE, LR, LS, MW, MZ, NA, RW, SD, SL, ST, SZ,
TZ, UG, ZM, ZW), Eurasian (AM, AZ, BY, KG, KZ, RU,
TJ, TM), European (AL, AT, BE, BG, CH, CY, CZ, DE,
DK, EE, ES, FI, FR, GB, GR, HR, HU, IE, IS, IT, LT, LU,
LV, MC, MK, MT, NL, NO, PL, PT, RO, RS, SE, SI, SK,
SM, TR), OAPI (BF, BJ, CF, CG, CI, CM, GA, GN, GQ,
GW, KM, ML, MR, NE, SN, TD, TG).

Declarations under Rule 4.17:

- as to applicant's entitlement to apply for and be granted a
patent (Rule 4.17(ii))
- of inventorship (Rule 4.17(iv))

Published:

- with international search report (Art. 21(3))

[Continued on next page]

(54) Title: AN APPARATUS AND A METHOD FOR A REGENERATIVE NETWORK NODE BETWEEN A FIRST AND A SECOND LINK PORTION

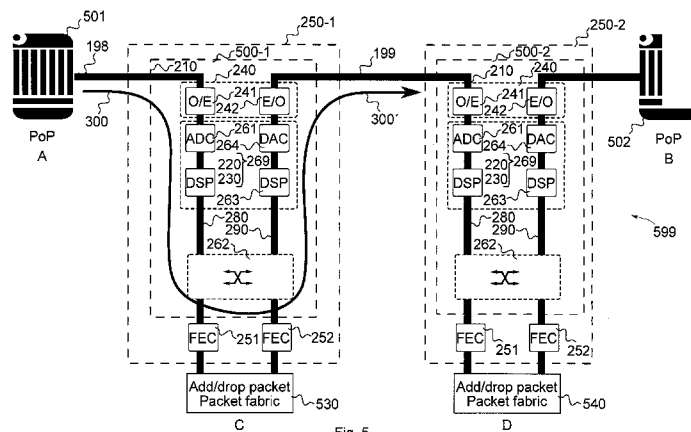
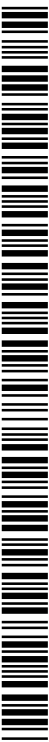


Fig. 5

(57) Abstract: Embodiments relate to an apparatus for a regenerative network node between a first and a second link portion. The apparatus comprises an input configured to receive, from the first link portion, a signal impaired by the first link portion, the signal including a data packet with a Forward Error Correction (FEC) encoded payload portion and a header portion. Further, the apparatus comprises a signal regeneration unit configured to mitigate signal impairments of the first link portion to provide a regenerated FEC encoded payload portion. The apparatus further comprises a processing unit. The processing unit is configured to extract destination information given in the data packet's header portion. If the extracted destination information indicates that the data packet's destination is the regenerative network node, the processing unit is configured to forward the data packet's regenerated FEC encoded payload portion to a decoding unit of the regenerative network node, else, the processing unit is configured to forward the data packet's regenerated FEC encoded payload portion to the second link portion.





— *before the expiration of the time limit for amending the claims and to be republished in the event of receipt of amendments (Rule 48.2(h))*

(88) Date of publication of the international search report:
1 December 2016

INTERNATIONAL SEARCH REPORT

International application No PCT/EP2016/000670

A. CLASSIFICATION OF SUBJECT MATTER INV. H04L1/00 H04B10/29 ADD.		
According to International Patent Classification (IPC) or to both national classification and IPC		
B. FIELDS SEARCHED Minimum documentation searched (classification system followed by classification symbols) H04L H04B		
Documentation searched other than minimum documentation to the extent that such documents are included in the fields searched		
Electronic data base consulted during the international search (name of data base and, where practicable, search terms used) EPO-Internal, WPI Data, INSPEC		
C. DOCUMENTS CONSIDERED TO BE RELEVANT		
Category*	Citation of document, with indication, where appropriate, of the relevant passages	Relevant to claim No.
A	EP 1 303 082 A2 (CIT ALCATEL [FR]) 16 April 2003 (2003-04-16) abstract; figures 4,5,6 paragraph [0004] paragraph [0021] - paragraph [0029] paragraph [0072]	1-15
A	----- US 2006/127100 A1 (FRANKEL MICHAEL Y [US] ET AL) 15 June 2006 (2006-06-15) abstract; figures 1,3 paragraph [0003] - paragraph [0016] paragraph [0020] paragraph [0034] - paragraph [0041]	1-15
A	----- EP 1 265 451 A2 (INNOVANCE INC [US]) 11 December 2002 (2002-12-11) abstract paragraph [0045] - paragraph [0065]; figures 3A,4 -----	1-15
<input type="checkbox"/> Further documents are listed in the continuation of Box C. <input checked="" type="checkbox"/> See patent family annex.		
* Special categories of cited documents :		
"A" document defining the general state of the art which is not considered to be of particular relevance "E" earlier application or patent but published on or after the international filing date "L" document which may throw doubts on priority claim(s) or which is cited to establish the publication date of another citation or other special reason (as specified) "O" document referring to an oral disclosure, use, exhibition or other means "P" document published prior to the international filing date but later than the priority date claimed	"T" later document published after the international filing date or priority date and not in conflict with the application but cited to understand the principle or theory underlying the invention "X" document of particular relevance; the claimed invention cannot be considered novel or cannot be considered to involve an inventive step when the document is taken alone "Y" document of particular relevance; the claimed invention cannot be considered to involve an inventive step when the document is combined with one or more other such documents, such combination being obvious to a person skilled in the art "&" document member of the same patent family	
Date of the actual completion of the international search	Date of mailing of the international search report	
6 October 2016	21/10/2016	
Name and mailing address of the ISA/ European Patent Office, P.B. 5818 Patentlaan 2 NL - 2280 HV Rijswijk Tel. (+31-70) 340-2040, Fax: (+31-70) 340-3016	Authorized officer Martínez Martínez, V	

INTERNATIONAL SEARCH REPORT

Information on patent family members

International application No
PCT/EP2016/000670

Patent document cited in search report	Publication date	Patent family member(s)	Publication date
EP 1303082	A2	EP 1303082 A2	16-04-2003
		IT MI20012122 A1	15-04-2003

US 2006127100	A1	NONE	

EP 1265451	A2	EP 1265451 A2	11-12-2002
		US 2002186432 A1	12-12-2002
