



US00D70994S

(12) **United States Design Patent**
King et al.

(10) **Patent No.:** **US D709,994 S**

(45) **Date of Patent:** **** Jul. 29, 2014**

(54) **INSERT PORTION OF A PIPE FITTING**

(75) Inventors: **Thomas A. King**, Chesterfield, MO
(US); **Duane K. Smith**, St. Charles, MO
(US); **Douglas L. Kirk**, Ballwin, MO
(US)

(73) Assignee: **Blazing Products, Inc.**

(**) Term: **14 Years**

(21) Appl. No.: **29/415,421**

(22) Filed: **Mar. 9, 2012**

Related U.S. Application Data

(63) Continuation of application No. 12/416,814, filed on Apr. 1, 2009, now abandoned, which is a continuation-in-part of application No. 11/868,231, filed on Oct. 5, 2007, now Pat. No. 8,172,276.

(51) **LOC (10) Cl.** **23-01**

(52) **U.S. Cl.**
USPC **D23/259**

(58) **Field of Classification Search**
USPC D23/245, 249, 254, 259-262; D8/382;
D13/155; D24/129; 285/86-93
See application file for complete search history.

(56) **References Cited**

U.S. PATENT DOCUMENTS

15,846 A	10/1856	Ferry
105,818 A	7/1870	Lord
224,586 A	2/1880	Earle
278,961 A	6/1883	Hobbs
484,656 A	10/1892	Doolittle
535,880 A	3/1895	Anderson
545,066 A	8/1895	Fregeau
567,962 A	9/1896	Cooper
589,216 A	8/1897	McKee
651,134 A	6/1900	Dickens

679,399 A	7/1901	Smith et al.	
781,952 A	2/1905	Jones	
1,367,312 A *	2/1921	Ford	285/31
1,370,739 A	3/1921	Gay	
1,606,320 A	11/1926	Scott	
1,802,499 A	4/1931	Chapman	
1,928,316 A	9/1933	Muto	
2,332,350 A	10/1943	Scritchfield	
2,344,163 A	3/1944	Misch	
2,478,586 A	8/1949	Krapp	
2,793,055 A	5/1957	Meyerhoefer	
2,833,567 A	5/1958	Bacher et al.	
2,839,075 A	6/1958	Mueller	
2,978,262 A	4/1961	Franck	

(Continued)

OTHER PUBLICATIONS

Olson Irrigation Systems EZ-E11, <http://www.olsonirrigation.com/PROD/OISEZEL/OLSezel.html>, web page printed Feb. 27, 2007.

(Continued)

Primary Examiner — Eric Goodman

Assistant Examiner — John Reickel

(74) *Attorney, Agent, or Firm* — Schroeder & Siegfried, P.A.

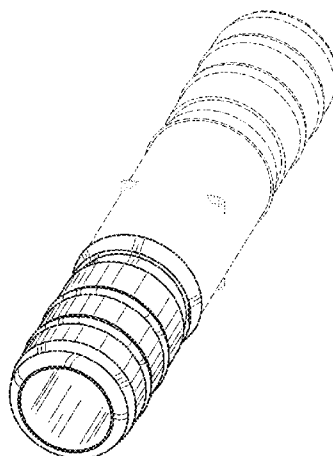
(57) **CLAIM**

The ornamental design for a insert portion of a pipe fitting, as shown in the drawings.

DESCRIPTION

FIG. 1 is a perspective view of an insert portion of a pipe fitting showing our new design; FIG. 2 is a top plan view thereof; FIG. 3 is a bottom plan view thereof; FIG. 4 is a side elevational view thereof, the opposite side being the mirror image; FIG. 5 is a front elevational view thereof; and, FIG. 6 is a rear elevational view thereof.

1 Claim, 3 Drawing Sheets



(56)

References Cited

U.S. PATENT DOCUMENTS

3,154,329 A 10/1964 Skinner
 3,158,388 A 11/1964 Marshall
 3,162,211 A 12/1964 Barusch
 3,167,335 A 1/1965 Maisch
 3,189,372 A * 6/1965 Johnson 285/91
 3,258,822 A 7/1966 Schlesch et al.
 3,280,846 A 10/1966 Anderson et al.
 3,343,724 A 9/1967 Malpas
 3,432,188 A 3/1969 Turner
 3,439,942 A 4/1969 Moore et al.
 3,460,715 A 8/1969 Lane et al.
 3,460,721 A 8/1969 Hamel et al.
 3,471,176 A 10/1969 Gilchrist
 3,489,441 A 1/1970 Malcolm
 3,495,615 A 2/1970 Ehrens et al.
 3,509,905 A 5/1970 Mullins
 3,554,217 A 1/1971 Ehrens
 3,580,269 A 5/1971 Ehrens
 3,633,948 A 1/1972 Dickey
 D227,890 S * 7/1973 Felix D23/262
 3,756,267 A 9/1973 Hutton
 3,762,263 A 10/1973 Bocceda
 3,825,286 A 7/1974 Henry, III
 3,891,150 A 6/1975 Hoff et al.
 D239,448 S * 4/1976 Kazienko et al. D23/259
 3,990,729 A 11/1976 Szentmihaly et al.
 3,999,785 A 12/1976 Blakeley
 4,034,802 A 7/1977 Schwarz
 4,076,038 A 2/1978 Wynne
 4,077,657 A * 3/1978 Trzeciak 285/184
 4,112,944 A 9/1978 Williams
 4,158,461 A 6/1979 Francis
 4,183,120 A 1/1980 Thorne
 4,212,487 A 7/1980 Jones et al.
 4,222,593 A 9/1980 Lauffenburger
 4,225,162 A 9/1980 Dola
 4,239,265 A 12/1980 King, Sr.
 4,258,742 A 3/1981 Louthan et al.
 4,364,406 A 12/1982 Bohlin
 4,373,235 A 2/1983 Korgaonkar
 4,396,210 A 8/1983 Spencer et al.
 4,434,809 A 3/1984 Rogstadius
 4,522,339 A 6/1985 Costa
 4,540,011 A 9/1985 Croxford et al.
 4,557,024 A 12/1985 Roberts et al.
 4,574,443 A 3/1986 Persak et al.
 4,647,075 A 3/1987 Vargo
 4,730,636 A 3/1988 Volgstadt et al.
 4,763,932 A 8/1988 Matz et al.
 D298,605 S * 11/1988 Colgan et al. D8/382
 4,789,189 A 12/1988 Robertson
 D307,541 S 5/1990 Tres
 4,935,992 A 6/1990 Due
 D320,842 S * 10/1991 Roman D23/262
 5,054,820 A 10/1991 Lesquir et al.
 5,076,318 A 12/1991 Fedora
 5,095,564 A 3/1992 Kruger
 D325,775 S * 4/1992 Hayes D23/262

5,105,844 A 4/1992 King, Sr.
 5,157,815 A 10/1992 Dyer
 5,216,784 A 6/1993 Dyer
 5,241,981 A 9/1993 Ahern
 5,345,964 A 9/1994 Friedel
 5,425,395 A 6/1995 Brennan
 5,518,278 A 5/1996 Sampson
 5,577,529 A 11/1996 Katz
 5,609,181 A 3/1997 Evans
 5,640,991 A 6/1997 King
 5,671,770 A 9/1997 Rusche et al.
 5,694,972 A 12/1997 King
 D392,372 S * 3/1998 Saito et al. D23/264
 5,732,732 A 3/1998 Gross et al.
 D398,380 S * 9/1998 Bevacco D23/260
 5,846,412 A 12/1998 Tharp
 D407,802 S * 4/1999 Hatfield et al. D23/262
 5,896,885 A 4/1999 Svetlik
 5,921,586 A 7/1999 Prassas et al.
 5,964,240 A 10/1999 Granovski
 5,964,241 A 10/1999 King
 5,967,168 A 10/1999 Kitani et al.
 D418,210 S * 12/1999 Roesch D23/262
 6,012,475 A 1/2000 Taylor et al.
 6,015,168 A 1/2000 Fahl
 D419,860 S * 2/2000 Persson D8/382
 6,062,607 A 5/2000 Bartholomew
 D427,668 S * 7/2000 Stout, Jr. D23/262
 6,089,619 A 7/2000 Goda
 D428,805 S * 8/2000 Sato et al. D8/382
 6,216,723 B1 4/2001 King
 6,220,635 B1 4/2001 Vitel et al.
 6,357,472 B1 3/2002 King
 6,439,620 B1 8/2002 Guest
 D464,409 S * 10/2002 Nishio D23/266
 6,473,943 B1 11/2002 Thacker
 6,510,865 B2 1/2003 King
 6,601,605 B2 8/2003 King, Jr.
 D482,761 S * 11/2003 Gotoh et al. D23/262
 D483,096 S * 12/2003 Gotoh et al. D23/262
 6,767,033 B2 7/2004 King et al.
 6,773,036 B1 8/2004 King
 6,791,031 B1 9/2004 Manning
 6,986,532 B1 1/2006 King
 D623,277 S * 9/2010 Guzzoni et al. D23/262
 D627,039 S * 11/2010 Yu D23/260
 D631,542 S * 1/2011 DeGross et al. D24/129
 D632,165 S * 2/2011 Daniel et al. D8/382
 D636,079 S * 4/2011 Leybold et al. D24/129
 D649,228 S * 11/2011 Drenth D23/259
 D676,940 S * 2/2013 Kluss et al. D23/262
 2001/0032667 A1 10/2001 King, Jr. et al.
 2002/0163191 A1 11/2002 Muenster et al.
 2003/0230894 A1 * 12/2003 Cleveland et al. 285/239

OTHER PUBLICATIONS

Why Blu-Lock, The Future of Irrigation Installation, <http://www.blulock.com/why.html>, web page printed Apr. 12, 2007.

* cited by examiner

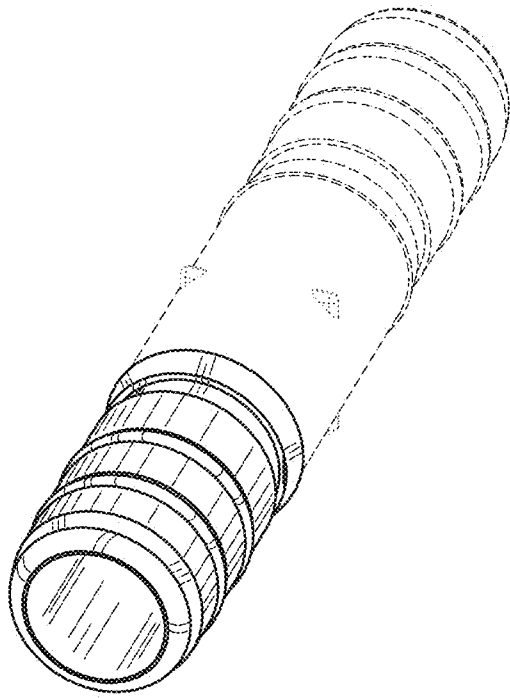


Fig. 1

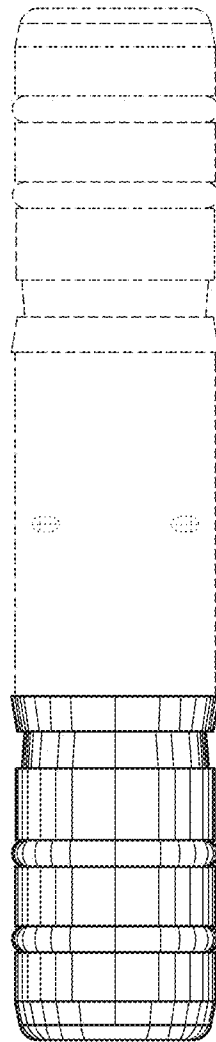


Fig. 2

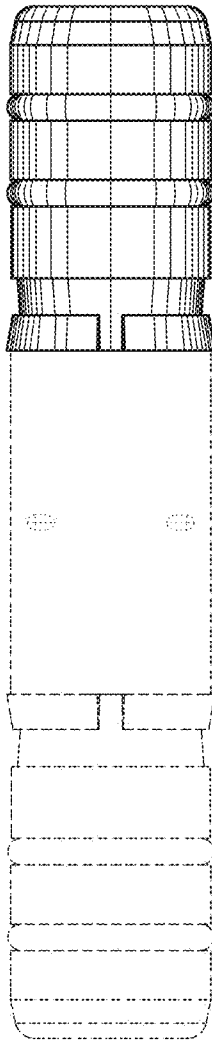


Fig. 3

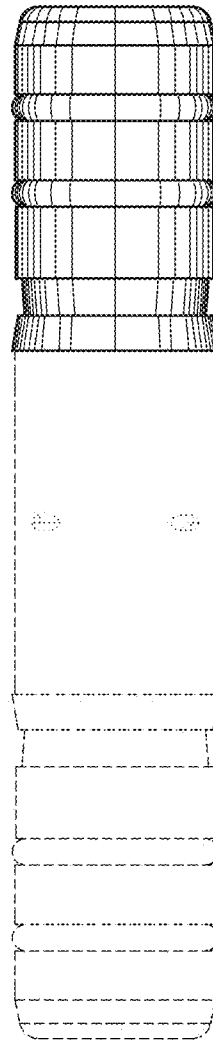


Fig. 4

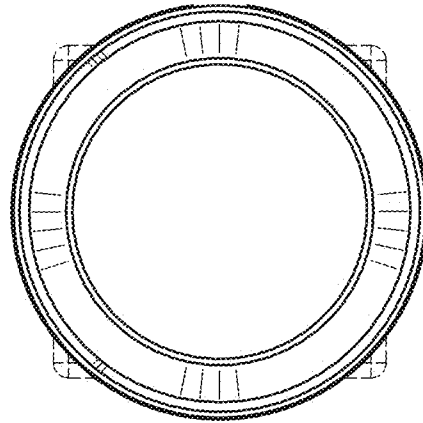


Fig. 5

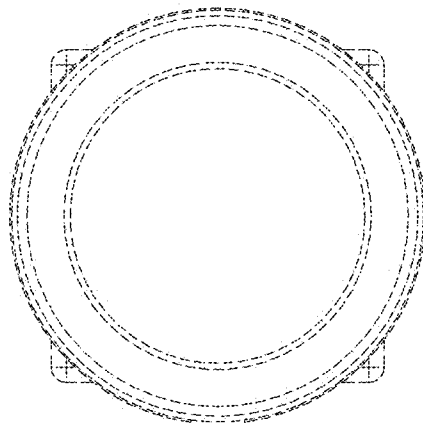


Fig. 6