



- (51) International Patent Classification:
H04W 40/22 (2009.01)
- (21) International Application Number:
PCT/IL2013/050229
- (22) International Filing Date:
12 March 2013 (12.03.2013)
- (25) Filing Language: English
- (26) Publication Language: English
- (30) Priority Data:
61/610,553 14 March 2012 (14.03.2012) US
- (71) Applicant: **MAXTECH COMMUNICATION NETWORKS LTD.** [IL/IL]; 2 Haprat St., 81101 Yavne (IL).
- (72) Inventors: **MATUSOVSKY, Yakir**; Reuven and Bat Sheva 7/8, 75357 Rishon le Zion (IL). **HANUNI, Uzi**; Emek HaEla 123, 99825 Givat Yeshayahu (IL). **DAGAN, Boaz**; Fikus 22/2, 70700 Gedera (IL).
- (74) Agents: **DR. EYAL BRESSLER LTD** et al.; 11 Tuval Street, Lazrom House, 52522 Ramat Gan (IL).
- (81) Designated States (unless otherwise indicated, for every kind of national protection available): AE, AG, AL, AM, AO, AT, AU, AZ, BA, BB, BG, BH, BN, BR, BW, BY, BZ, CA, CH, CL, CN, CO, CR, CU, CZ, DE, DK, DM,

DO, DZ, EC, EE, EG, ES, FI, GB, GD, GE, GH, GM, GT, HN, HR, HU, ID, IL, IN, IS, JP, KE, KG, KM, KN, KP, KR, KZ, LA, LC, LK, LR, LS, LT, LU, LY, MA, MD, ME, MG, MK, MN, MW, MX, MY, MZ, NA, NG, NI, NO, NZ, OM, PA, PE, PG, PH, PL, PT, QA, RO, RS, RU, RW, SC, SD, SE, SG, SK, SL, SM, ST, SV, SY, TH, TJ, TM, TN, TR, TT, TZ, UA, UG, US, UZ, VC, VN, ZA, ZM, ZW.

- (84) Designated States (unless otherwise indicated, for every kind of regional protection available): ARIPO (BW, GH, GM, KE, LR, LS, MW, MZ, NA, RW, SD, SL, SZ, TZ, UG, ZM, ZW), Eurasian (AM, AZ, BY, KG, KZ, RU, TJ, TM), European (AL, AT, BE, BG, CH, CY, CZ, DE, DK, EE, ES, FI, FR, GB, GR, HR, HU, IE, IS, IT, LT, LU, LV, MC, MK, MT, NL, NO, PL, PT, RO, RS, SE, SI, SK, SM, TR), OAPI (BF, BJ, CF, CG, CI, CM, GA, GN, GQ, GW, ML, MR, NE, SN, TD, TG).

Declarations under Rule 4.17:

- as to applicant's entitlement to apply for and be granted a patent (Rule 4.17(ii))

Published:

- with international search report (Art. 21(3))

[Continued on next page]

(54) Title: HEURISTIC SPANNING METHOD AND SYSTEM FOR LINK STATE ROUTING

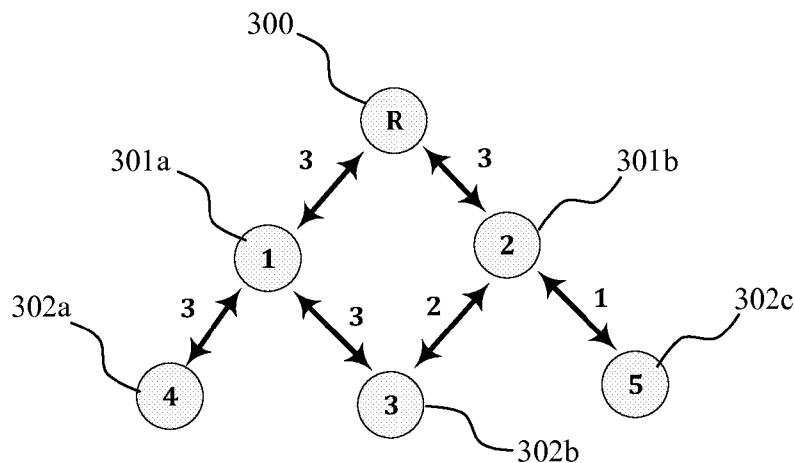


Fig. 3

(57) Abstract: A system and method for selecting at least one relay in a communication network; the network comprises a plurality of nodes; each of the nodes comprises at least one processing unit; each pair of the nodes is characterized by a first connection number; a first score is associated with each pair of (i) first first connection number; and (ii) second first connection number; each of the processing unit is programmed to execute the method.

WO 2013/136332 A1



-
- *before the expiration of the time limit for amending the claims and to be republished in the event of receipt of amendments (Rule 48.2(h))*

HEURISTIC SPANNING METHOD AND SYSTEM FOR LINK STATE ROUTING

FIELD OF THE INVENTION

The present invention generally pertains to the field of creating a link-state routing protocol for finding an optimal spanning tree in a communication network.

BACKGROUND

Optimizing management of communication networks has been a continuous challenge for many years. The communication network management system requires finding the balance between using of system resources and optimizing the connectivity of network users.

The following prior art is believed to be the current status of the art.

Throughout the years various protocols have been used to optimize the network management system, among them are: Ad Hoc On-Demand Distance Vector (AODV) On-Demand Multicast Routing Protocol (ODMRP) Optimized Link State Routing Protocol (OSLR) Differential Destination Multicast (DDM) routing protocol Multicast Ad hoc On-Demand Distance Vector (MAODV) routing protocol Topology Broadcast based on Reverse-Path Forwarding (TBRPF) Dynamic Source Routing (DSR) Temporally-Ordered Routing Algorithm (TORA) Zone Routing Protocol for Ad Hoc Networks (ZRP) Source-Tree Adaptive Routing (STAR).

All of these methods are based on the spanning tree describing the network or parts of it at a given time. While only a small portion of the methods apply any consideration to the quality of communication between network nodes, none of them do so in view of the entire network status. This state of affairs can lead to considerable data loss during operation of the network. Consequently, due to lack of information (either by status of the network or by strength of connections) in the stage of spanning a tree, a truly optimal tree cannot be spanned.

There is therefore a long unmet need for a method of managing networks which will consider not only the binary state of connected/disconnected of two specific nodes, but also the quality of this connection.

SUMMARY

An object of the invention is to provide a method for selecting at least one relay in a communication network; the network comprises a plurality of nodes; each of the nodes

comprises at least one processing unit; each pair of the nodes is characterized by a first connection number; a first score is associated with each pair of (i) first first connection number; and (ii) second first connection number; each of the processing unit is programmed to execute the method;

wherein the method comprising:

- a. setting at least one first node to be a relay;
- b. for one of the relays, selecting a second connection number for each third node; the third node is connected to the relay *via* a second node; the second connection number is selected from a group consisting of (i) first connection number of the pair of third node and the second node, (ii) first connection number of the pair of second node and the relay; and (iii) a combination thereof;
- c. associating each of the third nodes with the first score; the first score is of pair consisting of (i) the first connection number characterizing the third node and the first node; and (ii) the second connection number characterizing the third node;
- d. characterizing each of the second node with second score; the second score is selected from a group consisting of (i) first scores of the third nodes;(ii) sum of the first scores of the third nodes; and (iii) a combination thereof;
- e. selecting at least one of the second nodes in accordance with the second score of the second nodes;
- f. repeating steps (b) to (e) for all relays in the network;
- g. setting at least one of the selected second nodes to be a relay in the network;
- h. updating the network with the selected relays; and
- i. if stopping criterion is not satisfied, repeating steps (b) to (h) for all relays in the network; the stopping criterion is selected from a group comprising of (i) numbers of relays in the network is larger than M, M is a predefined integer greater than 0; (ii) each of the nodes in the communication network is connected to at least one relay.

It is another object of the invention to disclose the method as defined above, additionally comprising step of performing the method on a time changing network; the method is performed at predetermined time steps.

It is another object of the invention to disclose the method as defined above, where method is performed on a time changing network at predetermined time steps, wherein each of the first connection number, second connection number and first score is defined for each time the method is performed.

It is another object of the invention to disclose the method as defined above, additionally comprising step of performing the method on a time changing network upon demand.

It is another object of the invention to disclose the method as defined above, where method is performed on a time changing network upon demand, wherein each of first connection number, second connection number and first score is defined for each time the method is performed.

It is another object of the invention to disclose the method as defined above, wherein characterizing second node with second score depends upon number of relays connected to the second node.

It is another object of the invention to disclose the method as defined above, wherein the first connection number characterizes quality of connection.

It is another object of the invention to disclose the method as defined above, additionally comprising step of providing step of changing the predetermined integer M.

It is another object of the invention to disclose a system for selecting at least one relay in a communication network; the network comprises a plurality of nodes; each of the nodes comprises at least one processing unit; each pair of the nodes is characterized by a first connection number; a first score is associated with each pair of (i) first first connection number; and (ii) second first connection number; for each node the processing unit is programmed to set itself to be a relay; wherein each of the processing unit is programmed to execute the following steps:

- a. select a second connection number for each third node; the third node is connected to the relay *via* a second node; the second connection number is selected from a group consisting of (i) first connection number of the pair of third node and the second node,

- (ii) first connection number of the pair of second node and the relay; and (iii) a combination thereof;
- b. associate each of the third nodes with the first score; the first score is of pair consisting of (i) the first connection number characterizing the third node and the first node; and (ii) the second connection number characterizing the third node;
- c. characterize each of the second node with second score; the second score is selected from a group consisting of (i) first scores of the third nodes; (ii) sum of the first scores of the third nodes; and (iii) a combination thereof;
- d. select at least one of the second nodes in accordance with the second score of the second nodes;
- e. repeat steps (a) to (d) for all relays in the network;
- f. set at least one of the selected second nodes to be a relay in the network;
- g. update the network with the selected relays; and
- h. if stopping criterion is not satisfied, repeating steps (a) to (g) for all relays in the network; the stopping criterion is selected from a group comprising of (i) numbers of relays in the network is larger than M, M is a predefined integer greater than 0; (ii) each of the nodes in the communication network is connected to at least one relay.

It is another object of the invention to disclose the system as defined above, wherein the processing unit is programmed to execute actions (a)-(h) on a time changing network; the actions are performed at predetermined time steps.

It is another object of the invention to disclose the system as defined above, wherein each of the first connection number, second connection number and first score is defined for each time the actions (a)-(h) are performed on a time-changing network at predetermined time-steps.

It is another object of the invention to disclose the system as defined above, wherein the processing unit is programmed to execute actions (a)-(h) on a time changing network upon demand.

It is another object of the invention to disclose the system as defined above, wherein each of first connection number, second connection number and first score is defined for each time the method is performed on a time-changing network upon demand.

It is another object of the invention to disclose the system as defined above, wherein characterizing second node with second score depends upon number of relays connected to the second node.

It is another object of the invention to disclose the system as defined above, wherein the first connection number characterizes quality of connection.

It is another object of the invention to disclose the system as defined above, wherein the predetermined integer M is changeable.

BRIEF DESCRIPTION OF THE DRAWINGS

In order to understand the invention and to see how it may be implemented in practice, a few preferred embodiments will now be described, by way of non-limiting example only, with reference to the accompanying drawings, in which:

Fig. 1 shows a flow chart describing a method for selecting at least one relay in a communication network;

Fig. 2 illustrates a network comprising a plurality of nodes;

Fig. 3 describes a relay and related nodes connected to the relay, where strength of connection is indicated; and

Fig. 4a and 4b shows transfer functions for grading change of connection strength between two nodes.

DETAILED DESCRIPTION OF THE INVENTION

The following description is provided so as to enable any person skilled in the art to make use of the invention and sets forth the best modes contemplated by the inventor of carrying out this invention. Various modifications, however, will remain apparent to those skilled in the art, since the generic principles of the present invention have been defined specifically to provide methods and systems for relay selection in a communication network. Also, it is to be understood that the

phraseology and terminology employed herein is for the purpose of description and should not be regarded as limiting.

The term '**Node**' refers hereinafter to a single physical entity (moving or static) with an independent processing unit and at least one communication interface for networking.

Considered as a single member of a network, a node could be considered a network of a single physical unit.

The term '**Relay**' refers hereinafter to a node, which can in a specific time of operation, be used as an interpreter of information between two or more other network nodes.

The term '**Backbone**' refers hereinafter to a bidirectional loop less graph composed of Relays (as its vertices).

The term '**Routing**' refers hereinafter to the process of selecting paths in a network along which to send network traffic

The term '**Link-state routing**' refers hereinafter to decisions on paths achieved by a node sharing the same information about the links with the rest of the nodes in the network, assuming all knowledge about links to the neighbors was somehow transferred to every node. The basic concept of link-state routing is that every node constructs a map of the connectivity to the network, converting this map to a connected graph, and using it to know the routing from point to point or from point to multipoint.

The present invention provides a method for selecting at least one relay in a communication network; the network comprises a plurality of nodes; each of the nodes comprises at least one processing unit; each pair of the nodes is characterized by a first connection number; a first score is associated with each pair of (i) first first connection number; and (ii) second first connection number; each of the processing unit is programmed to execute the method;

wherein the method comprising:

- a. setting at least one first node to be a relay;
- b. for one of the relays, selecting a second connection number for each third node; the third node is connected to the relay *via* a second node; the second connection number

- is selected from a group consisting of (i) first connection number of the pair of third node and the second node, (ii) first connection number of the pair of second node and the relay; and (iii) a combination thereof;
- c. associating each of the third nodes with the first score; the first score is of pair consisting of (i) the first connection number characterizing the third node and the first node; and (ii) the second connection number characterizing the third node;
 - d. characterizing each of the second node with second score; the second score is selected from a group consisting of (i) first scores of the third nodes;(ii) sum of the first scores of the third nodes; and (iii) a combination thereof;
 - e. selecting at least one of the second nodes in accordance with the second score of the second nodes;
 - f. repeating steps (b) to (e) for all relays in the network;
 - g. setting at least one of the selected second nodes to be a relay in the network;
 - h. updating the network with the selected relays; and
 - i. if stopping criterion is not satisfied, repeating steps (b) to (h) for all relays in the network; the stopping criterion is selected from a group comprising of (i) numbers of relays in the network is larger than M, M is a predefined integer greater than 0; (ii) each of the nodes in the communication network is connected to at least one relay.

The present invention also provides a system for selecting at least one relay in a communication network; the network comprises a plurality of nodes; each of the nodes comprises at least one processing unit; each pair of the nodes is characterized by a first connection number; a first score is associated with each pair of (i) first first connection number; and (ii) second first connection number; for each the node the processing unit is programmed to set itself to be a relay; wherein each of the processing unit is programmed to execute the following steps:

- a. select a second connection number for each third node; the third node is connected to the relay *via* a second node; the second connection number is selected from a group consisting of (i) first connection number of the pair of third node and the second node, (ii) first connection number of the pair of second node and the relay; and (iii) a combination thereof;

- b. associate each of the third nodes with the first score; the first score is of pair consisting of (i) the first connection number characterizing the third node and the first node; and (ii) the second connection number characterizing the third node;
- c. characterize each of the second node with second score; the second score is selected from a group consisting of (i) first scores of the third nodes; (ii) sum of the first scores of the third nodes; and (iii) a combination thereof;
- d. select at least one of the second nodes in accordance with the second score of the second nodes;
- e. repeat steps (a) to (d) for all relays in the network;
- f. set at least one of the selected second nodes to be a relay in the network;
- g. update the network with the selected relays; and
- h. if stopping criterion is not satisfied, repeating steps (a) to (g) for all relays in the network; the stopping criterion is selected from a group comprising of (i) numbers of relays in the network is larger than M, M is a predefined integer greater than 0; (ii) each of the nodes in the communication network is connected to at least one relay.

Reference is now made to Fig. 1 which illustrate in a non-limiting a method **100** for selecting at least one relay in a communication network; the network comprises a plurality of nodes; each of the nodes comprises at least one processing unit; each pair of the nodes is characterized by a first connection number; a first score is associated with each pair of (i) first first connection number; and (ii) second first connection number; each of the processing unit is programmed to execute the method;

wherein the method comprising:

- a. setting **101** at least one first node to be a relay;
- b. for one of the relays, selecting **102** a second connection number for each third node; the third node is connected to the relay *via* a second node; the second connection number is selected from a group consisting of (i) first connection number of the pair of third node and the second node, (ii) first connection number of the pair of second node and the relay; and (iii) a combination thereof;

- c. associating **103** each of the third nodes with the first score; the first score is of pair consisting of (i) the first connection number characterizing the third node and the first node; and (ii) the second connection number characterizing the third node;
- d. characterizing **104** each of the second node with second score; the second score is selected from a group consisting of (i) first scores of the third nodes;(ii) sum of the first scores of the third nodes; and (iii) a combination thereof;
- e. selecting **105** at least one of the second nodes in accordance with the second score of the second nodes;
- f. repeating **106** steps (b) to (e) for all relays in the network;
- g. setting **107** at least one of the selected second nodes to be a relay in the network;
- h. updating **108** the network with the selected relays; and
- i. if stopping criterion is not satisfied, repeating **109** steps (b) to (h) for all relays in the network; the stopping criterion is selected from a group comprising of (i) numbers of relays in the network is larger than M, M is a predefined integer greater than 0; (ii) each of the nodes in the communication network is connected to at least one relay.

In some embodiments of the current invention, the method as described above, additionally comprising step of performing said method on a time changing network; said method is performed at predetermined time steps. For example, time steps can be periodic or random. The method may also be performed only upon request and not at predetermined times.

At each time the method is performed said first connection number, second connection number and first score may be redefined partially or fully.

In some embodiments of the current invention, step of characterizing **104** second node with second score depends upon number of relays connected to said second node.

In some embodiments of the current invention, first connection number characterizes quality of connection.

In some embodiments of the current invention, the method as described above, additionally comprising step of providing step of changing the predetermined integer M.

Reference is now made to Fig. 2 which describes a communication network **120** comprising a plurality of nodes $12_1, 12_2, 12_3 \dots 12_N$. Each of the nodes $12_1, 12_2, 12_3 \dots 12_N$ comprises at least one processing unit. The plurality of nodes is a system for selecting at least one relay in the communication network. Each pair of said nodes is characterized by a first connection number; a first score is associated with each pair of (i) first first connection number; and (ii) second first connection number; for each said node said processing unit is programmed to set itself to be a relay; wherein each of said processing unit is programmed to execute the following steps:

- a. select a second connection number for each third node; said third node is connected to said relay *via* a second node; said second connection number is selected from a group consisting of (i) first connection number of said pair of third node and said second node, (ii) first connection number of said pair of second node and said relay; and (iii) a combination thereof;
- b. associate each of said third nodes with said first score; said first score is of pair consisting of (i) said first connection number characterizing said third node and said first node; and (ii) said second connection number characterizing said third node;
- c. characterize each of said second node with second score; said second score is selected from a group consisting of (i) first scores of said third nodes; (ii) sum of said first scores of said third nodes; and (iii) a combination thereof;
- d. select at least one of said second nodes in accordance with said second score of said second nodes;
- e. repeat steps (a) to (d) for all relays in said network;
- f. set at least one of said selected second nodes to be a relay in said network;
- g. update said network with said selected relays; and
- h. if stopping criterion is not satisfied, repeating steps (a) to (g) for all relays in said network; said stopping criterion is selected from a group comprising of (i) numbers of relays in said network is larger than M, M is a predefined integer greater than 0; (ii) each of said nodes in said communication network is connected to at least one relay.

In some embodiments of the current invention, the system as described above, wherein said processing unit is programmed to execute actions (a)-(h) on a time changing network; . For

example, time steps can be periodic or random. Actions (a)-(h) may also be performed only upon request and not at predetermined times.

In some embodiments of the current invention, the system as described above, wherein each of said first connection number, second connection number and first score is defined for each time said actions (a)-(h) are performed.

In some embodiments of the current invention, the system as described above, wherein said characterizing second node with second score depends upon number of relays connected to said second node.

In some embodiments of the current invention, the system as described above, wherein said predetermined integer M is changeable.

In some embodiments of the current invention, first connection numbers are given at the stage that the network is being constructed and the algorithm is performed using these predetermined numbers. In the case that there are N connection numbers, a matrix **400** as illustrated in Fig. 4 representing the score of changing connection number will be in the size of NxN. Each link can be characterized by N binary numbers, which can transfer 2^N-1 bits of information

In some embodiments of the current invention, the system as described above, the first connection number characterizes quality of connection. For example, zero can describe no connection at all and any other number in some predetermined scale will represent whether the connection is weak or strong. The first score is aimed to determine the gain the system gets from strengthening or weakening the connection, that is, from changing the connection strength from one number to another. Once a score is set for each such connection, each node in the system runs the algorithm on itself, that is, it starts by setting itself into a relay.

Once the node is set to be relay **300** as illustrated in Fig. 3, it starts to grade each node (which we call now, first connected node **301a**, **301b**, indicating it is the node connected directly to the relay **300**) connected to the relay **300** in order to select the next relay. Grading is done by evaluating the connection number each first connected node will provide by connecting the second connected nodes **302a**, **302b**, **302c** (*i.e.* the node connected to the first connected node **301a(b)**) and that will now be connected to the relay **300** *via* the first connected node **301a(b)**.

Once the connection number is evaluated, a first grade can be given to each new connection between the relay **300** and the second connected node **302a (b or c)**.

The first grade will be the grade given for changing the connection number from (i) connection number between the relay **300** and the second connected node **302a (b or c)** from what it is before connecting it *via* the first connected node **301a (or b)** to (ii) the connection number between the relay **300** and the second connected node **302a (b or c)** from what it is before connecting it *via* the first connected node **301a (or b)**.

Reference is now made to Fig. 4a which shows in a non-limiting manner an example for a matrix grading the changes of first connection numbers (*i.e.* change from 0 to 3 in n_3 and change from n_3 to 0 is 0). These first grades are summed for each node (or any other function that takes them into account), and the node with the highest grade will become the next relay.

This procedure continues for each node until a stopping criterion is fulfilled. The result is a method for finding an optimal spanning tree of the network.

Example 1

This example is provided in a non-limiting manner to illustrate one scope of the invention, wherein in a method for selecting at least one relay in a communication network, the network comprises a plurality of nodes; each of the nodes comprises at least one processing unit; each pair of the nodes is characterized by an integer between 0-3, where 0 indicates that the two nodes are not connected, and any number between 1-3 indicates a connection between the nodes and the strength of this connection. An illustration can be seen in Fig. 3 where relay **300** is connected to two nodes second node1 **301a** and second node2 **301b** with first connection numbers 3 and 3. node1 **301a** is connected to third node 4 **302a** and third node 3 **302b** with first connection number 3 and 3. node2 **301b** is connected to third node5 **302c** and third node 3 **302b** with first connection number 1 and 2 respectively. Relay is not connected the third nodes (*i.e.* third node 3 **302b**, third node 4 **302a**, and third node5 **302c**), hence, the first connection number between relay **300** and any third node is 0.

A first score is given to any two integers between 0-3 shown in a matrix**401** in Fig.4b, *e.g.* {0,3} is given a score of 22, {3,0} is given a score 0, and {1,2} is given a score 6). This score is used

to evaluate the “desirability” of changing the connection strength between two states; relating to the previous example, changing a connection from 0 to 3 is very “desirable” (hence, receiving a grade 22), while changing the grade from 3 to 0 is very “undesirable” (hence, receiving the grade 0).

A second connection number is now given for each third node **302** when connected *via* a second node **301**. The second connection number of:

- (i) third node 4 **302a** is 3 when connected *via* node **301a** and 0 when connected *via* node **301b**;
- (ii) third node 3 **302b** is 3 when connected *via* node **301a** and 2 when connected *via* node **301b**;
- (iii) third node 5 **302c** is 0 when connected *via* node **301a** and 1 when connected *via* node **301b**;

A first score is given now to each third node **302** when connected to each second node **301**. The first score is based on changing the connection number between relay **300** and third node **302** from first connection number (zero in this case) to the second connection number:

- (i) first score of third node 4 **302a** is 22 when connected *via* second node **301a** and 0 when connected *via* second node **301b** according to matrix **401**.
- (ii) first score of third node 3 **302b** is 22 when connected *via* second node **301a** and 15 when connected *via* second node **301b** according to matrix **401**.
- (iii) first score of third node 5 **302c** is 0 when connected *via* second node **301a** and 8 when connected *via* second node **301b** according to matrix **401**.

A second score is now given to the second nodes **301a** and **301b** according to the first score of the third nodes **302**:

- (i) second score of second node **301a** is the sum of the first scored of the third nodes **302** when connects *via* second node **301a**: $22+22+0=44$;
- (ii) second score of second node **301b** is the sum of the first scored of the third nodes **302** when connects *via* second node **301a**: $0+15+8=23$.

The score of the second node **301a** is higher, therefore it is selected to be a relay.

It will be appreciated by persons skilled in the art that embodiment of the invention are not limited by what has been particularly shown and described hereinabove. Rather the scope of at least one embodiment of the invention is defined by the claims below.

CLAIMS

1. A method for selecting at least one relay in a communication network; said network comprises a plurality of nodes; each of said nodes comprises at least one processing unit; each pair of said nodes is characterized by a first connection number; a first score is associated with each pair of (i) first first connection number; and (ii) second first connection number; each of said processing unit is programmed to execute said method;
wherein said method comprising:
 - a. setting at least one first node to be a relay;
 - b. for one of said relays, selecting a second connection number for each third node; said third node is connected to said relay *via* a second node; said second connection number is selected from a group consisting of (i) first connection number of said pair of third node and said second node, (ii) first connection number of said pair of second node and said relay; and (iii) a combination thereof;
 - c. associating each of said third nodes with said first score; said first score is of pair consisting of (i) said first connection number characterizing said third node and said first node; and (ii) said second connection number characterizing said third node;
 - d. characterizing each of said second node with second score; said second score is selected from a group consisting of (i) first scores of said third nodes; (ii) sum of said first scores of said third nodes; and (iii) a combination thereof;
 - e. selecting at least one of said second nodes in accordance with said second score of said second nodes;
 - f. repeating steps (b) to (e) for all relays in said network;
 - g. setting at least one of said selected second nodes to be a relay in said network;
 - h. updating said network with said selected relays; and
 - i. if stopping criterion is not satisfied, repeating steps (b) to (h) for all relays in said network; said stopping criterion is selected from a group comprising of (i) numbers of relays in said network is larger than M, M is a predefined integer greater than 0; (ii) each of said nodes in said communication network is connected to at least one relay.

2. The method according to claim 1, additionally comprising step of performing said method on a time changing network; said method is performed at predetermined time steps.
3. The method according to claim 2, wherein each of said first connection number, second connection number and first score is defined for each time said method is performed.
4. The method according to claim 1, additionally comprising step of performing the method on a time changing network upon demand.
5. The method according to claim 4, wherein said each of first connection number, second connection number and first score is defined for each time said method is performed.
6. The method according to claim 1, wherein said characterizing second node with second score depends upon number of relays connected to said second node.
7. The method according to claim 1, wherein said first connection number characterizes quality of connection.
8. The method according to claim 1, additionally comprising step of providing step of changing the predetermined integer M.
9. A system for selecting at least one relay in a communication network; said network comprises a plurality of nodes; each of said nodes comprises at least one processing unit; each pair of said nodes is characterized by a first connection number; a first score is associated with each pair of (i) first first connection number; and (ii) second first connection number; for each said node said processing unit is programmed to set itself to be a relay; wherein each of said processing unit is programmed to execute the following steps:
 - a. select a second connection number for each third node; said third node is connected to said relay *via* a second node; said second connection number is selected from a group consisting of (i) first connection number of said pair of third node and said second node, (ii) first connection number of said pair of second node and said relay; and (iii) a combination thereof;
 - b. associate each of said third nodes with said first score; said first score is of pair consisting of (i) said first connection number characterizing said third node and said first node; and (ii) said second connection number characterizing said third node;

- c. characterize each of said second node with second score; said second score is selected from a group consisting of (i) first scores of said third nodes; (ii) sum of said first scores of said third nodes; and (iii) a combination thereof;
 - d. select at least one of said second nodes in accordance with said second score of said second nodes;
 - e. repeat steps (a) to (d) for all relays in said network;
 - f. set at least one of said selected second nodes to be a relay in said network;
 - g. update said network with said selected relays; and
 - h. if stopping criterion is not satisfied, repeating steps (a) to (g) for all relays in said network; said stopping criterion is selected from a group comprising of (i) numbers of relays in said network is larger than M, M is a predefined integer greater than 0; (ii) each of said nodes in said communication network is connected to at least one relay.
10. The system according to claim 9, wherein said processing unit is programmed to execute actions (a)-(h) on a time changing network; said actions are performed at predetermined time steps.
 11. The system according to claim 10, wherein each of said first connection number, second connection number and first score is defined for each time said actions (a)-(h) are performed.
 12. The system according to claim 9, wherein said processing unit is programmed to execute actions (a)-(h) on a time changing network upon demand.
 13. The system according to claim 12, wherein said each of first connection number, second connection number and first score is defined for each time said method is performed.
 14. The system according to claim 9, wherein said characterizing second node with second score depends upon number of relays connected to said second node.
 15. The system according to claim 9, wherein said first connection number characterizes quality of connection.
 16. The system according to claim 9, wherein said predetermined integer M is changeable.

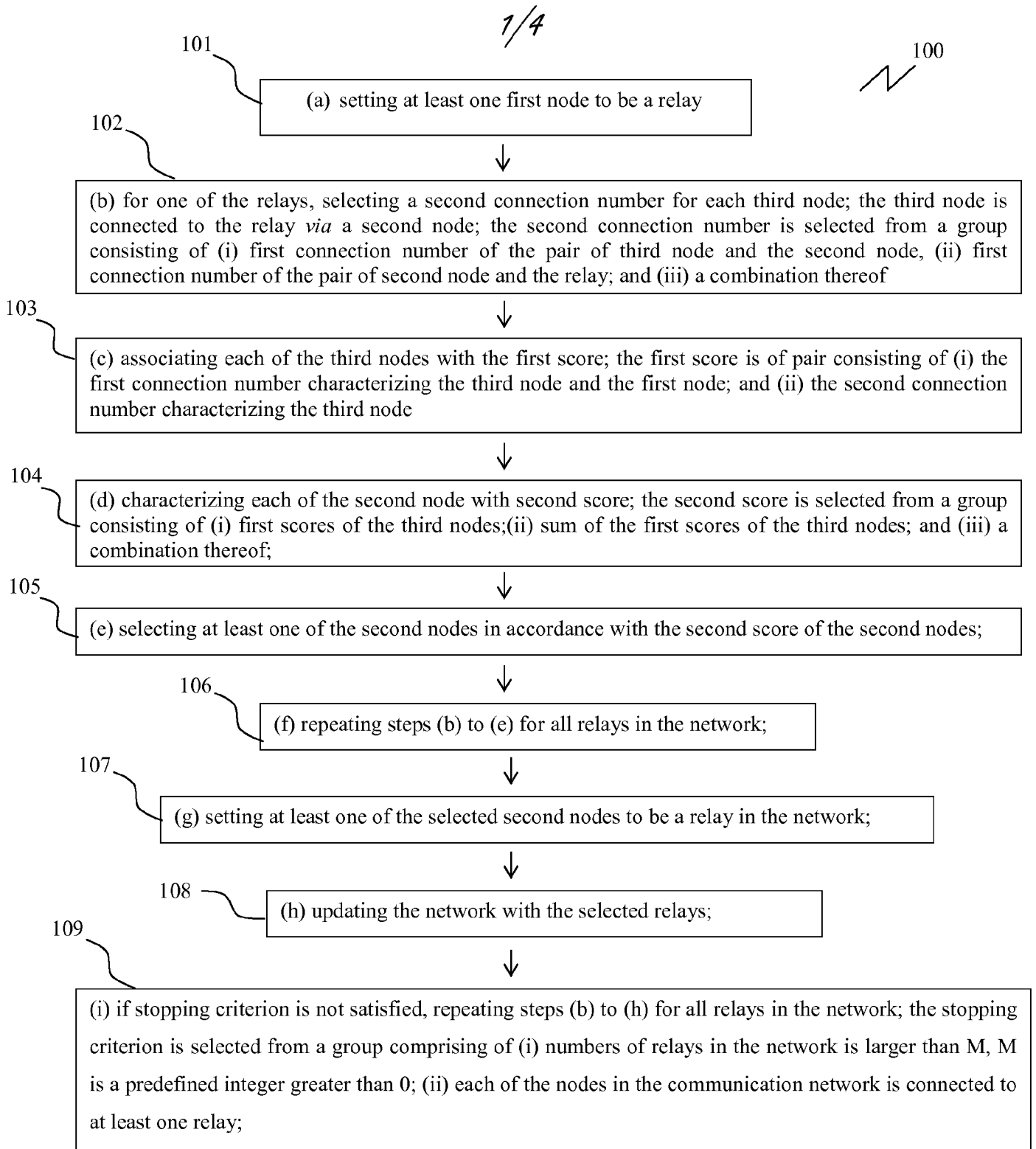


Fig. 1

2/4

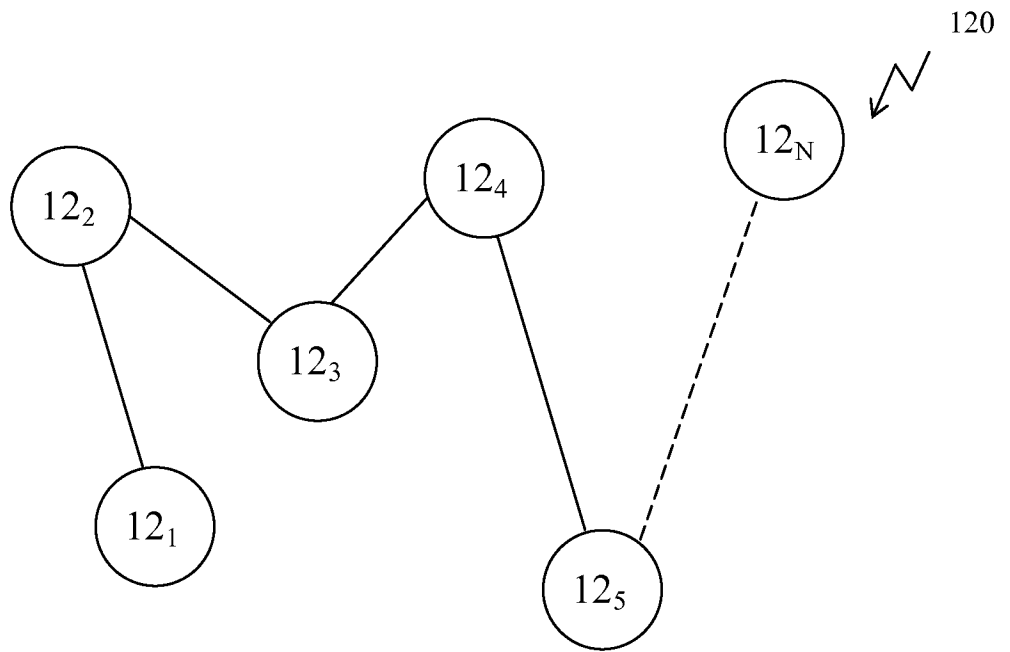


Fig. 2

3/4

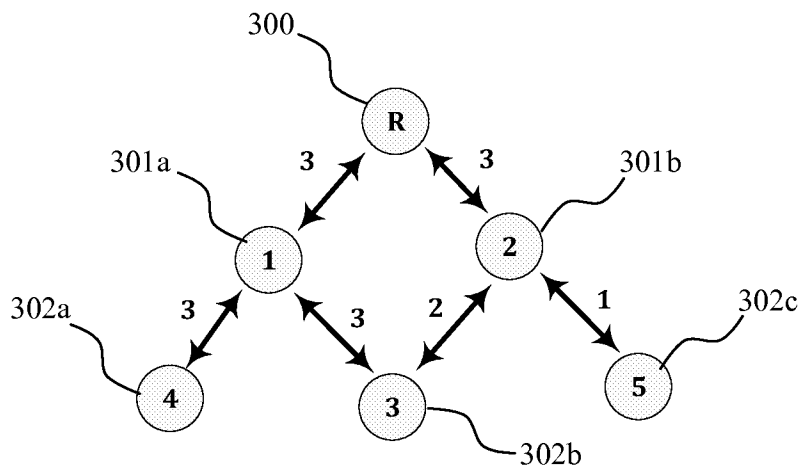


Fig. 3

4/4

400

$$TFN = \begin{bmatrix} 0 & n_1 & n_2 & n_3 \\ 0 & 0 & n_4 & n_5 \\ 0 & 0 & 0 & n_6 \\ 0 & 0 & 0 & 0 \end{bmatrix}$$

Fig. 4a

401

$$TFN = \begin{bmatrix} 0 & 8 & 15 & 22 \\ 0 & 0 & 6 & 11 \\ 0 & 0 & 0 & 4 \\ 0 & 0 & 0 & 0 \end{bmatrix}$$

Fig. 4b

A. CLASSIFICATION OF SUBJECT MATTER

IPC(8) - H04W 40/22 (2013.01)

USPC - 455/7

According to International Patent Classification (IPC) or to both national classification and IPC

B. FIELDS SEARCHED

Minimum documentation searched (classification system followed by classification symbols)

IPC(8) - G06F 15/177; H04B 7/14, 7/15; H04W 40/00, 40/22 (2013.01)

USPC - 455/7, 11.1, 13.1, 445, 452.2; 709/220, 221, 222, 238, 243, 244

Documentation searched other than minimum documentation to the extent that such documents are included in the fields searched

CPC - G06F 15/177; H04B 7/14, 7/15; H04W 40/00, 40/22

Electronic data base consulted during the international search (name of data base and, where practicable, search terms used)

Patbase, Orbit, Google Patent, Google Scholar

C. DOCUMENTS CONSIDERED TO BE RELEVANT

Category*	Citation of document, with indication, where appropriate, of the relevant passages	Relevant to claim No.
Y	US 2008/0268855 A1 (HANUNI et al.) 30 October 2008 (30.10.2008) entire document	1-16
Y	US 2010/0238816 A1 (SUH et al.) 23 September 2010 (23.09.2010) entire document	1-16
Y	US 2011/0267982 A1 (ZHANG et al.) 03 November 2011 (03.11.2011) entire document	1-16
A	US 2012/0002537 A1 (BAO et al.) 05 January 2012 (05.01.2012) entire document	1-16

 Further documents are listed in the continuation of Box C.

* Special categories of cited documents:

"A" document defining the general state of the art which is not considered to be of particular relevance

"E" earlier application or patent but published on or after the international filing date

"L" document which may throw doubts on priority claim(s) or which is cited to establish the publication date of another citation or other special reason (as specified)

"O" document referring to an oral disclosure, use, exhibition or other means

"P" document published prior to the international filing date but later than the priority date claimed

"T" later document published after the international filing date or priority date and not in conflict with the application but cited to understand the principle or theory underlying the invention

"X" document of particular relevance; the claimed invention cannot be considered novel or cannot be considered to involve an inventive step when the document is taken alone

"Y" document of particular relevance; the claimed invention cannot be considered to involve an inventive step when the document is combined with one or more other such documents, such combination being obvious to a person skilled in the art

"&" document member of the same patent family

Date of the actual completion of the international search

03 July 2013

Date of mailing of the international search report

10 JUL 2013

Name and mailing address of the ISA/US

Mail Stop PCT, Attn: ISA/US, Commissioner for Patents
P.O. Box 1450, Alexandria, Virginia 22313-1450

Facsimile No. 571-273-3201

Authorized officer:

Blaine R. Copenheaver

PCT Helpdesk: 571-272-4300

PCT OSP: 571-272-7774