



US00D693185S

(12) **United States Design Patent**
Evans et al.

(10) **Patent No.:** **US D693,185 S**

(45) **Date of Patent:** **** Nov. 12, 2013**

(54) **CHEESE KNIFE SET**

(71) Applicant: **Joseph Joseph Ltd.**, London (GB)

(72) Inventors: **David Evans**, Cambridge (GB); **Ashley May**, Cambridge (GB)

(73) Assignee: **Joseph Joseph Ltd.**, London (GB)

(**) Term: **14 Years**

(21) Appl. No.: **29/448,401**

(22) Filed: **Mar. 12, 2013**

(30) **Foreign Application Priority Data**

Sep. 13, 2012 (EM) 002102343-0004

(51) **LOC (9) Cl.** **07-03**

(52) **U.S. Cl.**

USPC **D7/650; D7/649**

(58) **Field of Classification Search**

USPC D7/368, 393-395, 401.2, 642-646,
D7/649-654, 660-664, 669, 675-676, 683,
D7/688-692, 695-696; D8/25, 83, 98-99,
D8/107, 303; D22/118; 30/137, 141-143,
30/147-150, 322-327, 329, 335, 340,
30/342-344, 355; 416/70 R

See application file for complete search history.

(56) **References Cited**

U.S. PATENT DOCUMENTS

D304,154 S *	10/1989	Osterhout	D8/99
D442,841 S *	5/2001	Balolia	D8/99
D464,551 S *	10/2002	Glesser	D8/98
D465,542 S *	11/2002	Bloch	D22/118
D466,764 S *	12/2002	Haythornthwaite et al.	..	D7/643
D474,392 S *	5/2003	Lang	D8/99
D476,877 S *	7/2003	Lang	D8/99
D554,949 S *	11/2007	Hood	D7/650
D570,163 S *	6/2008	Jimenez et al.	D7/653
D581,732 S *	12/2008	Epstein	D7/401.2
D581,733 S *	12/2008	Epstein	D7/401.2
D600,506 S *	9/2009	Miltner et al.	D7/649
D612,692 S *	3/2010	Menceles	D7/643

* cited by examiner

Primary Examiner — Ricky Pham

(74) *Attorney, Agent, or Firm* — Millen, White, Zelano & Branigan, P.C.

(57) **CLAIM**

The ornamental design for a cheese knife set, as shown and described.

DESCRIPTION

FIG. 1 is a perspective view of the cheese knife set showing my new design.

FIG. 2 is a top view thereof.

FIG. 3 is a bottom view thereof.

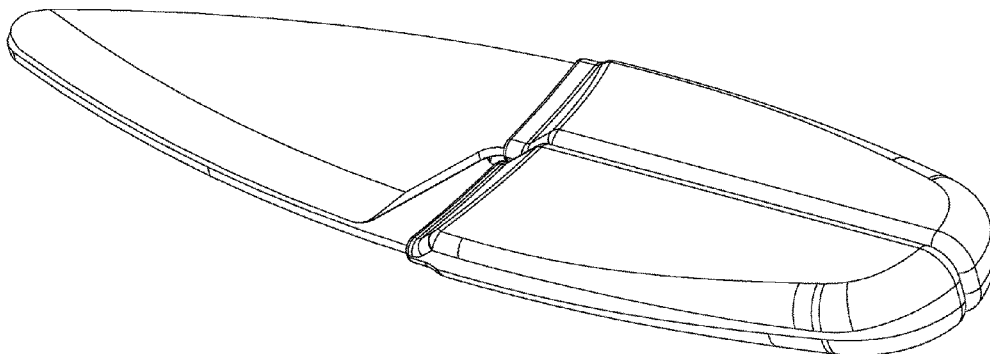
FIG. 4 is a side view thereof.

FIG. 5 is another side view thereof.

FIG. 6 is an enlarged front view thereof; and,

FIG. 7 is an enlarged rear view thereof.

1 Claim, 7 Drawing Sheets



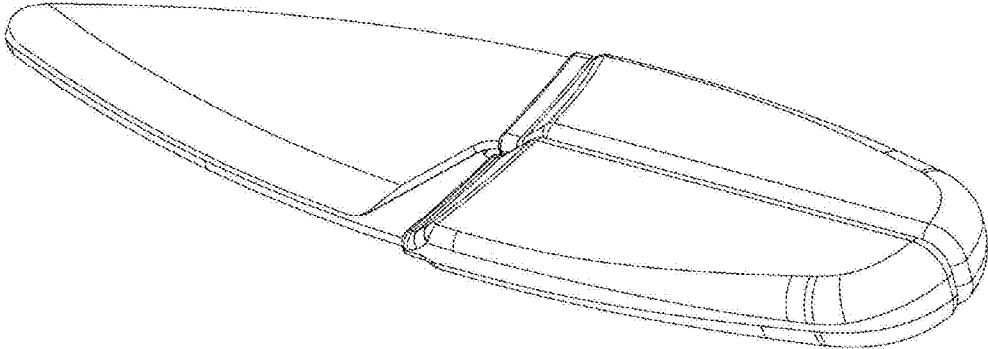


Fig. 1

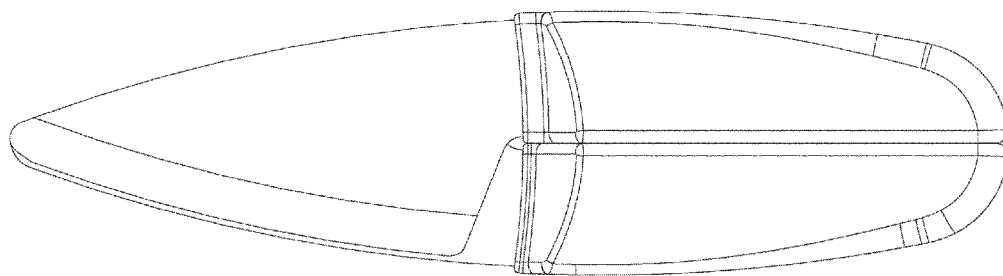


Fig. 2

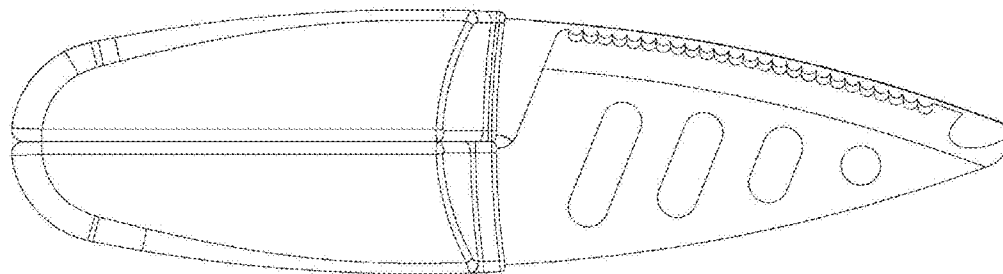


Fig. 3

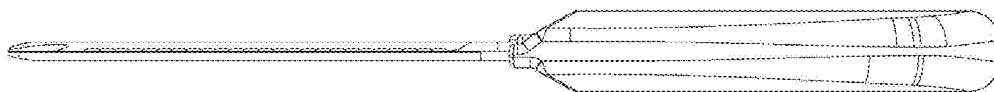


Fig. 4

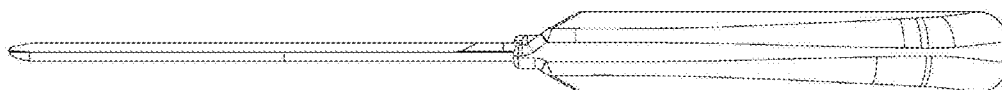


Fig. 5

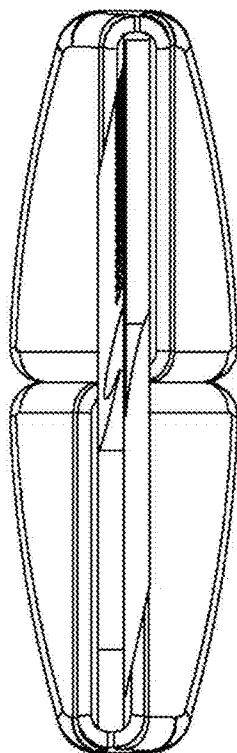


Fig. 6

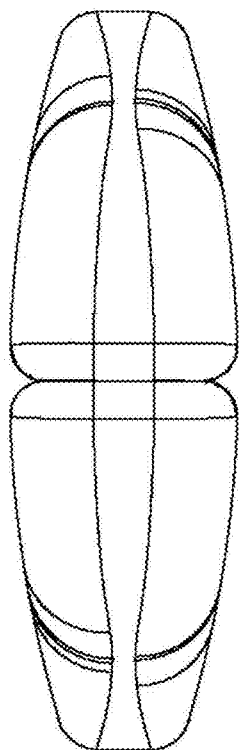


Fig. 7