



(12) **United States Design Patent**
Numagaki

(10) **Patent No.:** **US D999,905 S**
(45) **Date of Patent:** **** Sep. 26, 2023**

- (54) **BEAUTY CARE APPARATUS**
- (71) Applicant: **Medcure Inc.**, Tamana (JP)
- (72) Inventor: **Masaru Numagaki**, Tamana (JP)
- (73) Assignee: **Medcure Inc.**, Tamana (JP)
- (**) Term: **15 Years**

D502,771	S	*	3/2005	Al Amri	D24/120
D754,333	S	*	4/2016	Tokumoto	D24/119
D763,685	S	*	8/2016	Arriaga	D9/436
D771,802	S	*	11/2016	Shulman	D24/120
D775,326	S	*	12/2016	Shulman	D24/120
D804,311	S	*	12/2017	Ruprecht	D9/434
10,299,804	B2	*	5/2019	Aman	A61B 17/1622
10,625,909	B2	*	4/2020	Aman	B65D 77/0406
10,952,804	B1	*	3/2021	Aman	B25F 5/02
D925,362	S	*	7/2021	Lanz	D9/503

(Continued)

- (21) Appl. No.: **29/803,188**
- (22) Filed: **Aug. 11, 2021**

(30) **Foreign Application Priority Data**

May 25, 2021 (JP) 2021-10912

(51) **LOC (14) Cl.** **24-02**

(52) **U.S. Cl.**
USPC **D24/120**

(58) **Field of Classification Search**

USPC D24/86, 119, 127, 130, 133, 144, 146,
D24/147, 184, 200, 214, 120; D8/61, 67,
D8/68; D28/7, 73, 76, 77, 78, 79, 85, 88,
D28/89, 99

CPC A61B 18/2018; A61B 2018/0231; A61B
17/162; A61B 17/1622; A61B 17/1628;
A61B 2017/0023; A61B 2017/0042;
A61B 2017/00398; A61B 2017/00477;
A61B 2017/00734; A61C 19/04; A61F
13/38; B01L 2300/0825; B01L 3/5023;
B01L 3/5029; C12M 1/30; G01N
33/5302; B25F 3/00; A61H 2201/0153;
A61H 2201/1671; A61H 2201/169

See application file for complete search history.

(56) **References Cited**

U.S. PATENT DOCUMENTS

D370,257	S	*	5/1996	Christopher	604/294
D403,399	S	*	12/1998	Montgomery	D24/120
D476,568	S	*	7/2003	Mechtold	D9/442

OTHER PUBLICATIONS

Japans Smart Eye Camera Listed As Medical Device by IAPB
<https://futureiot.tech/japans-smart-eye-camera-listed-as-a-medical-device-by-iapb/> Apr. 9, 2020 (Year: 2020).*

(Continued)

Primary Examiner — Samantha Q Lawrence

(74) *Attorney, Agent, or Firm* — Heedong Chae; Lucem, PC

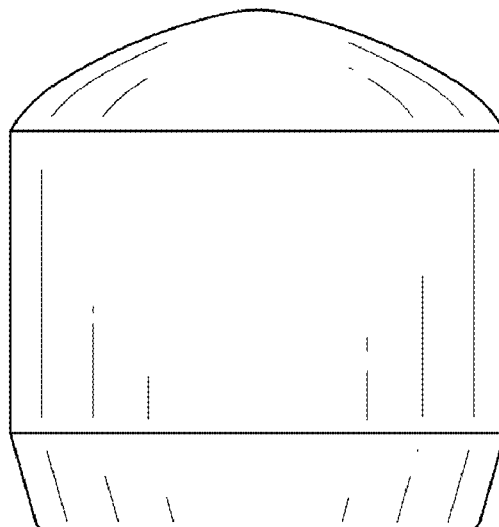
(57) **CLAIM**

The ornamental design for a beauty care apparatus, as shown and described.

DESCRIPTION

FIG. 1 is a top plan view of a beauty care apparatus showing my new design;
FIG. 2 is a front elevational view thereof;
FIG. 3 is a rear elevational view thereof;
FIG. 4 is a right side view thereof;
FIG. 5 is a cross-sectional view of the beauty care apparatus taken along the line 5-5 in FIG. 2;
FIG. 6 is a front perspective view thereof;
FIG. 7 is a rear perspective view thereof; and,
FIG. 8 is a rear elevational view showing the beauty care apparatus in an environment of use.
The dot-dash broken lines illustrate environment and form no part of the claimed design.

1 Claim, 5 Drawing Sheets



(56)

References Cited

U.S. PATENT DOCUMENTS

D963,945 S * 9/2022 Wang D28/73
D975,925 S * 1/2023 Kim A24F 9/16
D28/73

OTHER PUBLICATIONS

Researchers Ready World First Vision Restoration Device for Human Clinical Trials <https://techcrunch.com/2020/09/15/researchers-ready-world-first-vision-restoration-device-for-human-clinical-trials/> Sep. 15, 2020 (Year: 2020).*

Noorio Wireless Battery Security Camera, Magnetic and Screw Mount B200 & B210 <https://noorio.com/products/noorio-b200-wireless-security-camera?variant=40458931240983> Aug. 4, 2022 (Year: 2022).*

* cited by examiner

FIG. 1

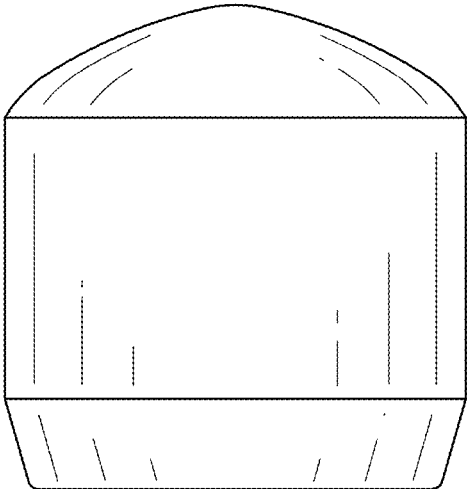


FIG. 2

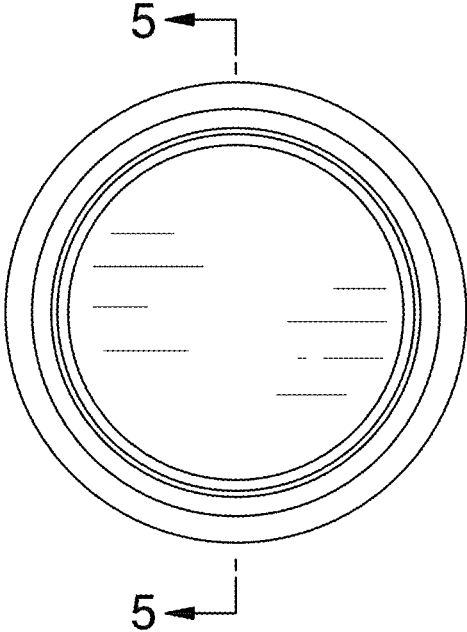


FIG. 3

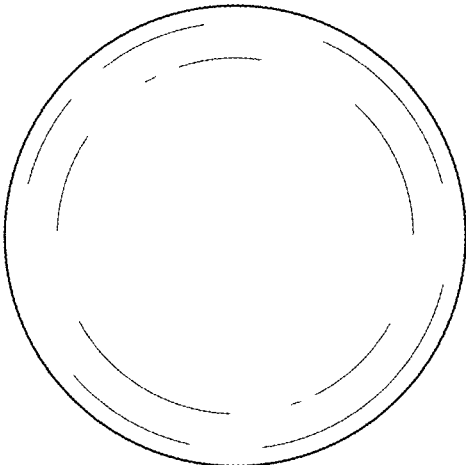


FIG. 4

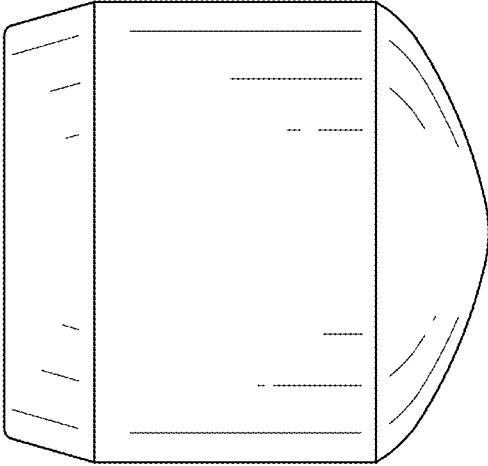


FIG. 5

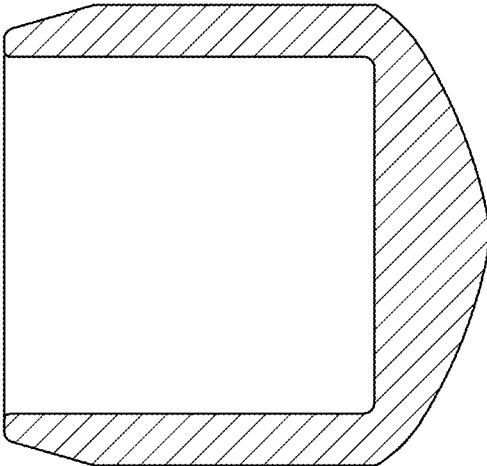


FIG. 6

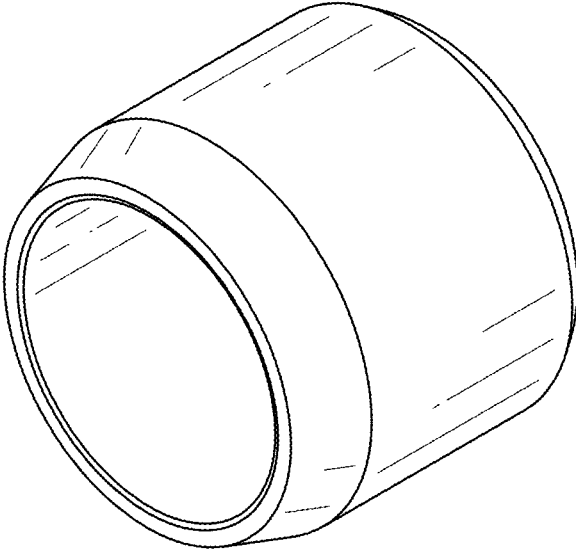


FIG. 7

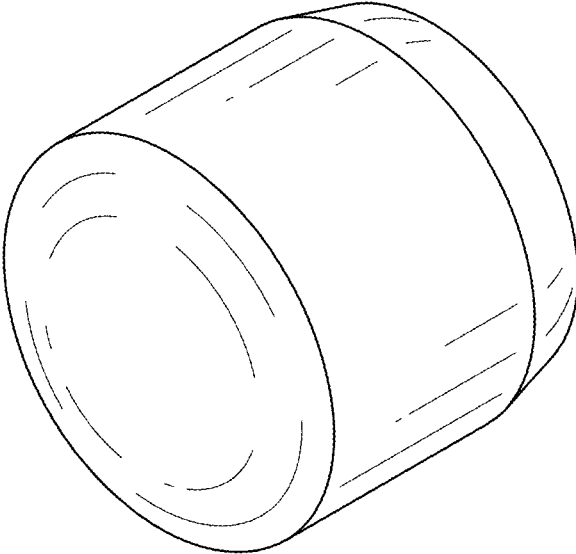


FIG. 8

