



(12) **United States Design Patent**
Dryden et al.

(10) **Patent No.:** **US D840,973 S**
(45) **Date of Patent:** **** Feb. 19, 2019**

(54) **SET OF HEADPHONES**

(71) Applicant: **Bose Corporation**, Framingham, MA (US)

(72) Inventors: **Joshua Kevin Dryden**, Marlborough, MA (US); **Julie E. Tierney**, Shrewsbury, MA (US); **Nathan David Schaal**, Cambridge, MA (US); **Adam A. Carr**, Southborough, MA (US); **Mitchell Joseph Silva**, Groton, MA (US); **Sabrina Garcia**, Brighton, MA (US); **Joel H. Miller**, Westborough, MA (US); **Gustavo Fontana**, Framingham, MA (US); **Stephen D. Boyle**, Newton, MA (US)

(73) Assignee: **Bose Corporation**, Framingham, MA (US)

(**) Term: **15 Years**

(21) Appl. No.: **29/630,347**

(22) Filed: **Dec. 20, 2017**

Related U.S. Application Data

(63) Continuation of application No. 29/559,968, filed on Apr. 1, 2016, now Pat. No. Des. 809,475.

(51) **LOC (11) Cl.** **14-01**

(52) **U.S. Cl.**
USPC **D14/205**

(58) **Field of Classification Search**
USPC D14/205, 188, 192, 372; D29/112; 2/209; D28/41; 132/374, 375; 181/129, 181/130, 135; 379/430, 431; 381/380, 381/381, 374, 74; 455/90.3, 575.1, 569.1
CPC H04R 1/1066; H04R 1/1016; H04R 5/033; H04R 5/0335; H04R 25/00; H04R 1/10
See application file for complete search history.

(56) **References Cited**

U.S. PATENT DOCUMENTS

2,437,049	A *	3/1948	Salisbury	A61F 11/14	128/866
2,615,169	A *	10/1952	Maxant	A61F 11/06	2/209
2,812,517	A *	11/1957	Bogart	A61F 11/06	2/174
3,098,307	A *	7/1963	Caldwell, Jr.	G09B 5/04	181/20
3,119,119	A *	1/1964	Millinger	A61F 11/06	2/209
3,211,160	A *	10/1965	Miller	A45D 8/00	132/275
D246,259	S *	11/1977	Nishimura	D14/205	
4,571,746	A *	2/1986	Gorike	H04R 5/0335	2/209
4,597,469	A *	7/1986	Nagashima	H04R 5/0335	181/129

(Continued)

Primary Examiner — Paula Allen Greene

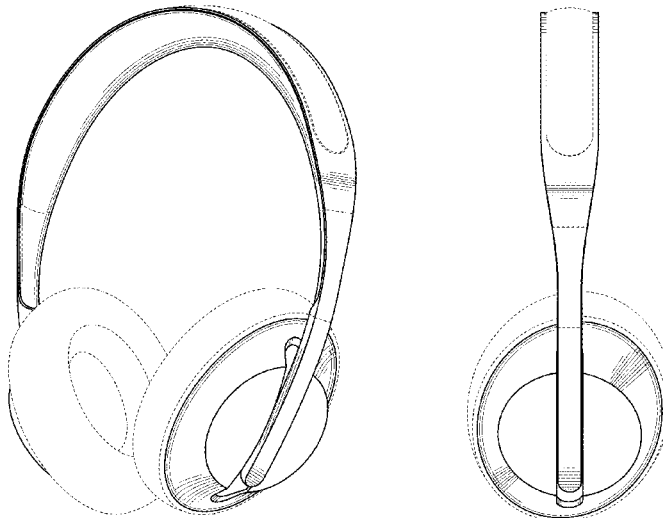
(57) **CLAIM**

The ornamental design for set of headphones, substantially as shown and described.

DESCRIPTION

FIG. 1 is a perspective view of a set of headphones as seen from the front and left side; FIG. 2 is a front view thereof; FIG. 3 is a back view thereof; FIG. 4 is a top view thereof; FIG. 5 is a bottom view thereof; FIG. 6 is a right side view thereof; and, FIG. 7 is a left side view thereof. The dotted lines immediately adjacent the shaded areas represent the bounds of the claimed design while all other dotted lines represent environmental structure only and do not form part of the claimed design.

1 Claim, 5 Drawing Sheets



(56)

References Cited

U.S. PATENT DOCUMENTS

D292,205 S *	10/1987	Kikutani	381/378	D654,472 S *	2/2012	Fischer	D14/206
D297,324 S *	8/1988	Kohno	D14/205	D657,346 S *	4/2012	Park	D14/205
D300,133 S *	3/1989	Daidoh	D14/205	D662,080 S *	6/2012	Carr	D14/205
D328,074 S *	7/1992	Yamazaki	D14/205	D663,717 S *	7/2012	Hutchieson	D14/206
D376,598 S *	12/1996	Hayashi	D14/205	D664,114 S *	7/2012	Tsuchiya	D14/205
5,809,573 A *	9/1998	Bary	A61F 7/03 128/866	D666,992 S *	9/2012	Lee	D14/205
5,987,647 A *	11/1999	Ouellette	A41D 23/00 132/273	8,295,529 B2 *	10/2012	Petersen	H04R 1/083 381/371
6,016,574 A *	1/2000	Chen	A45D 8/36 128/866	D678,859 S *	3/2013	Lee	D14/205
6,093,202 A *	7/2000	Dyken	A61F 7/02 607/108	D697,495 S *	1/2014	Lian	D14/205
D435,537 S *	12/2000	Yuyama	D14/205	8,646,466 B2 *	2/2014	Howard	A45D 8/36 132/275
D471,176 S *	3/2003	Suzuki	D14/205	8,755,555 B2 *	6/2014	Dougherty	H04R 1/1066 381/370
D534,156 S *	12/2006	Obata	D14/205	D713,374 S *	9/2014	Farrage	D14/205
D540,777 S *	4/2007	Rausch	D14/205	D715,252 S *	10/2014	Sparks	D14/205
D541,256 S *	4/2007	Rausch	D14/205	D721,052 S *	1/2015	Carr	D14/205
D544,464 S *	6/2007	Lee	D14/205	D737,799 S *	9/2015	Carr	D14/205
D571,354 S *	6/2008	Ng	D14/205	D809,475 S *	2/2018	Dryden	D14/205
D588,100 S *	3/2009	Densho	D14/205	D813,194 S *	3/2018	Loh	D14/205
D604,269 S *	11/2009	Choe	D14/205	2006/0027245 A1 *	2/2006	Spector	A45D 8/36 132/273
D633,471 S *	3/2011	Sugiyama	D14/205	2010/0177907 A1 *	7/2010	Morisawa	H04R 1/1066 381/74
D633,895 S *	3/2011	Morimoto	D14/205	2011/0051976 A1 *	3/2011	Tsai	H04R 1/1066 381/378
D634,732 S *	3/2011	Kondo	D14/205	2013/0087404 A1 *	4/2013	Peskar	G10K 11/168 181/129
D637,295 S *	5/2011	McCartney	D24/174				
D641,725 S *	7/2011	Chong	D14/205				

* cited by examiner

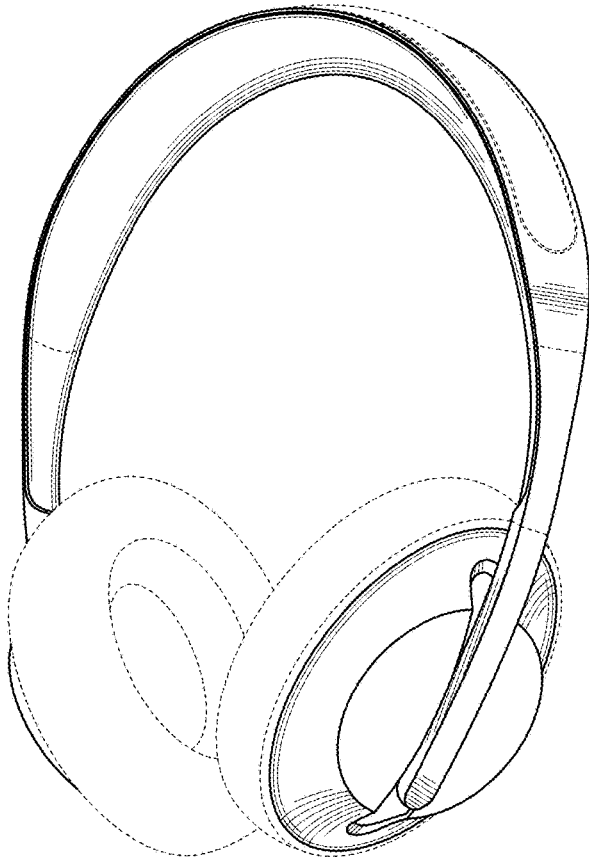


FIG. 1

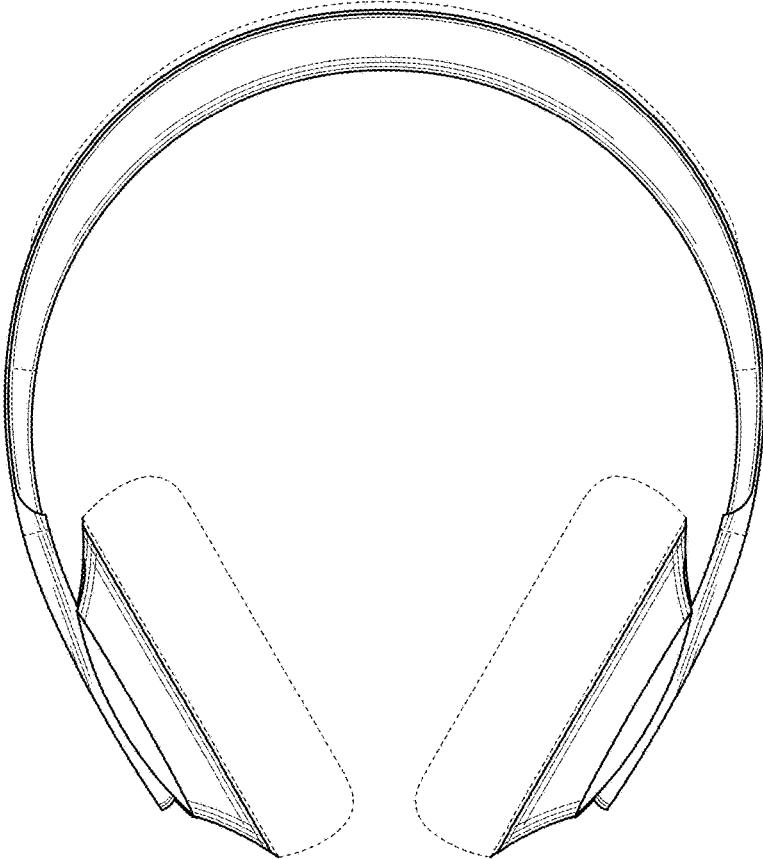


FIG. 2

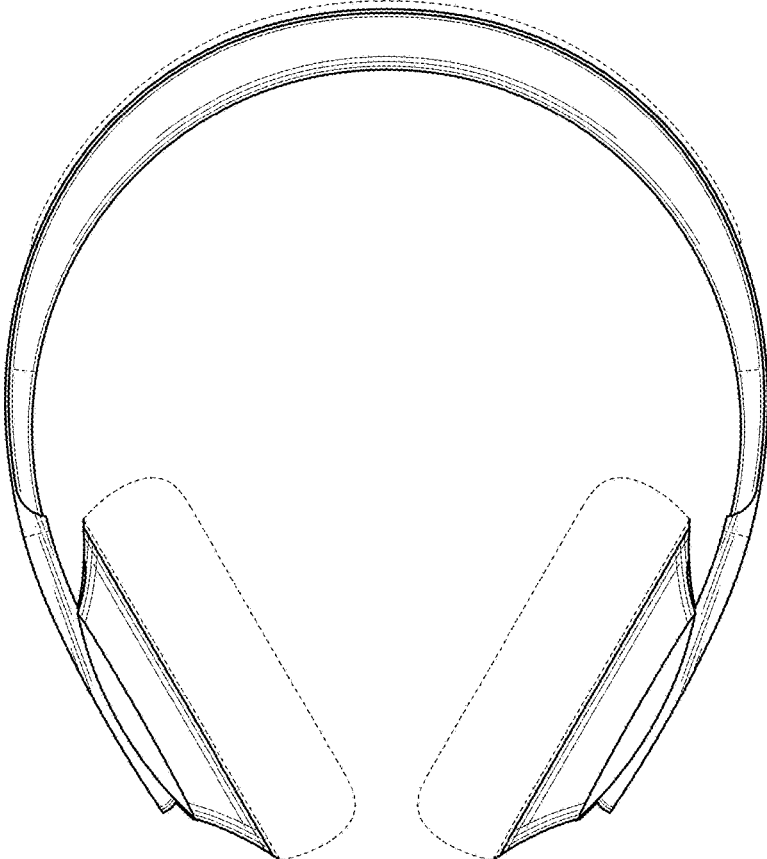


FIG. 3

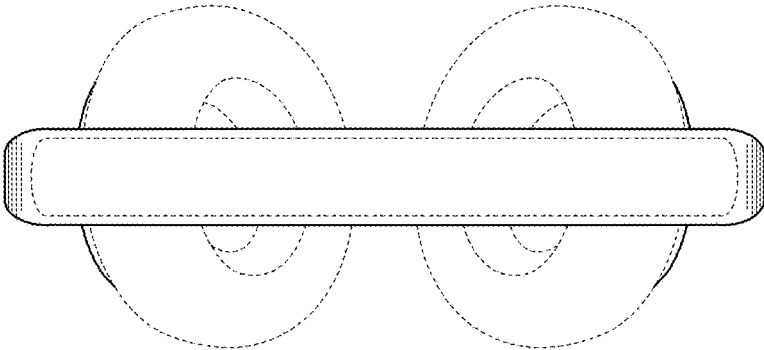


FIG. 4

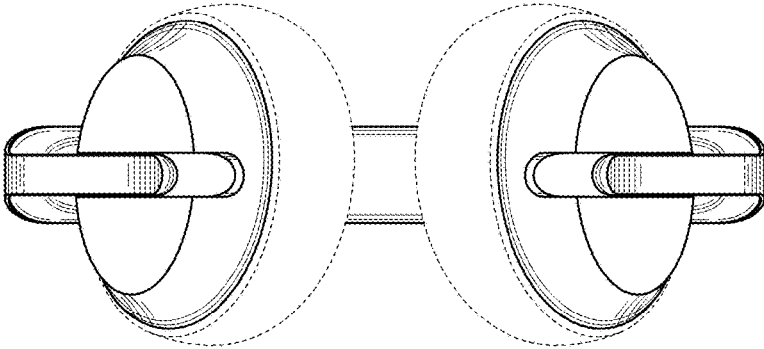


FIG. 5

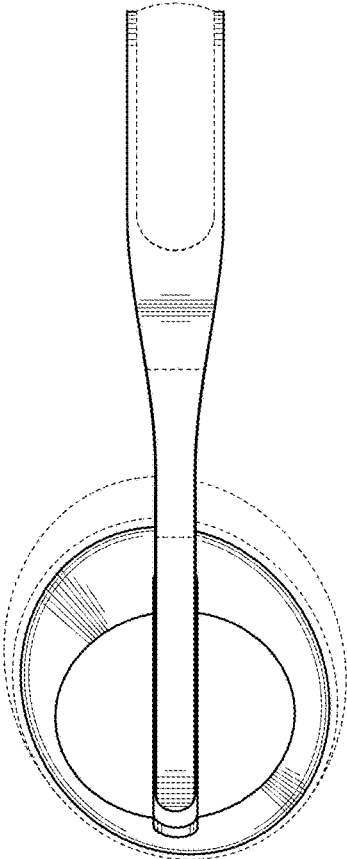


FIG. 6

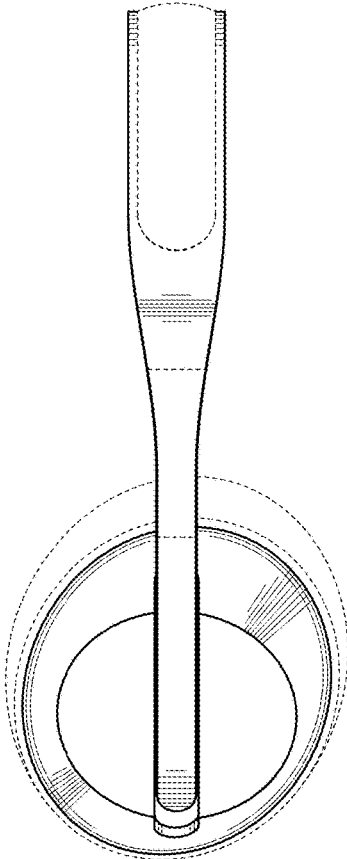


FIG. 7