



(51) International Patent Classification:

D21H 11/16 (2006.01) *A61F 13/53* (2006.01)
D21H 21/18 (2006.01) *A47K 10/16* (2006.01)
D21H 27/02 (2006.01) *A47K 10/18* (2006.01)

(21) International Application Number:

PCT/US2016/059931

(22) International Filing Date:

1 November 2016 (01.11.2016)

(25) Filing Language:

English

(26) Publication Language:

English

(30) Priority Data:

62/250,242 3 November 2015 (03.11.2015) US

(71) Applicant: **KIMBERLY-CLARK WORLDWIDE, INC.**

[US/US]; 2300 Winchester Road, Neenah, Wisconsin 54956 (US).

(72) Inventors: **QIN, Jian**; 3316 S. Scarlet Oak Lane, Appleton, Wisconsin 54915 (US). **CALEWARTS, Deborah J.**; 7236 Clow Road, Winneconne, Wisconsin 54986 (US). **WALDROUP, Donald E.**; 325 Todwick Drive, Roswell, Georgia 30075 (US).

(74) Agents: **TULLEY, JR., Douglas, H.** et al.; Kimberly-Clark Worldwide, Inc., 2300 Winchester Road, Neenah, Wisconsin 54956 (US).

(81) Designated States (unless otherwise indicated, for every kind of national protection available):

AE, AG, AL, AM, AO, AT, AU, AZ, BA, BB, BG, BH, BN, BR, BW, BY, BZ, CA, CH, CL, CN, CO, CR, CU, CZ, DE, DJ, DK, DM, DO, DZ, EC, EE, EG, ES, FI, GB, GD, GE, GH, GM, GT, HN, HR, HU, ID, IL, IN, IR, IS, JP, KE, KG, KN, KP, KR, KW, KZ, LA, LC, LK, LR, LS, LU, LY, MA, MD, ME, MG, MK, MN, MW, MX, MY, MZ, NA, NG, NI, NO, NZ, OM, PA, PE, PG, PH, PL, PT, QA, RO, RS, RU, RW, SA, SC, SD, SE, SG, SK, SL, SM, ST, SV, SY, TH, TJ, TM, TN, TR, TT, TZ, UA, UG, US, UZ, VC, VN, ZA, ZM, ZW.

(84) Designated States (unless otherwise indicated, for every kind of regional protection available):

ARIPO (BW, GH, GM, KE, LR, LS, MW, MZ, NA, RW, SD, SL, ST, SZ, TZ, UG, ZM, ZW), Eurasian (AM, AZ, BY, KG, KZ, RU, TJ, TM), European (AL, AT, BE, BG, CH, CY, CZ, DE, DK, EE, ES, FI, FR, GB, GR, HR, HU, IE, IS, IT, LT, LU, LV, MC, MK, MT, NL, NO, PL, PT, RO, RS, SE, SI, SK, SM, TR), OAPI (BF, BJ, CF, CG, CI, CM, GA, GN, GQ, GW, KM, ML, MR, NE, SN, TD, TG).

[Continued on next page]

(54) Title: PAPER TISSUE WITH HIGH BULK AND LOW LINT

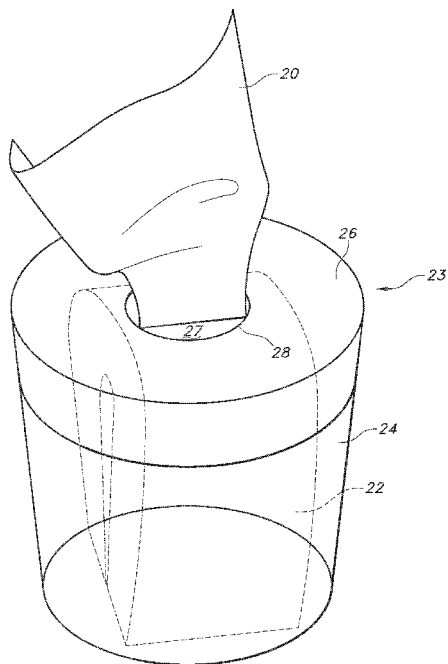


FIG. 1

(57) Abstract: A tissue paper product is provided having at least one ultra-low density ply having a highly porous, open-celled structure and that comprises cellulosic fibers, a water insoluble binder and a foaming surfactant. The cellulosic fiber comprises greater than 50% by weight of the ply and are bonded to one another by hydrogen bonding. Further, the ply has a density less than about 0.04 g/cc and yet still provides low lint and high strength properties with the use of minimal binder. The ultra-low density ply may comprise or be included in sheets forming a stack of dispensable wipers or may be employed as or part of an absorbent core or liquid distribution layer of a personal care absorbent personal care product such as a diaper or feminine pad.



Declarations under Rule 4.17:

— *as to applicant's entitlement to apply for and be granted a patent (Rule 4.17(ii))*

Published:

— *with international search report (Art. 21(3))*

PAPER TISSUE WITH HIGH BULK AND LOW LINT

This application claims the benefit of priority from U.S. Provisional Application No. 62/250,242 filed on November 3, 2015, the contents of which are incorporated herein by reference.

Background

5 Wood pulp fiber is a natural fiber widely used in personal care products such as facial tissue, toilet paper, paper hand towels, cosmetic wipes, etc. Wood pulp fiber is a relatively inexpensive raw material and is widely available. In addition, wood pulp fibers have various advantageous properties such as being highly absorbent, relatively soft and biodegradable. However, these desirable
10 properties are often lost or degraded as a result of the sheet formation process. In this regard, wood pulp fibers have a relatively short fiber length, commonly between about 0.5 – 2 mm, which makes it difficult to achieve both the desired fiber orientation and structure (i.e. to achieve a high-bulk sheet having good hand and flexibility) and also the desired degree of sheet integrity and fiber retention (i.e. to achieve a stable structure and minimize linting).

Wood pulp fiber is typically incorporated into a sheet by either an air laying or wet laying
15 process. With respect to cellulosic sheets formed by air laying process, sheets formed from such processes tend to have a high bulk as the air-laying processes typically achieve an open and non-oriented fiber structure. However, such air-laid sheets also tend to suffer from low integrity and high lint due to the lack of hydrogen bonding as between the individual fibers. While sheet integrity and linting can be improved through the addition of significant levels of binder fibers or adhesive, the
20 inclusion of the same often causes the sheet to lose desired attributes such as softness, drape and other properties such as biodegradability and/or flushability.

On the other hand, with respect to wood pulp fibers processed by a wet laying process, the resulting sheets often have relatively low lint content due to the extensive hydrogen bonding between wood pulp fibers. However, the wet laid sheets sacrifice bulk and wet integrity due to the generally
25 planar and compact fiber orientation.

Therefore, it would be desirable to have a paper tissue sheet comprising wood pulp or like cellulosic fibers and minimal binder having a combination of advantageous properties such as sheet integrity, high bulk and low lint content.

Summary of Invention

30 The present invention provides a tissue paper product having at least one ultra-low density ply having a highly porous, open-celled structure and that comprises cellulosic fibers, a water insoluble

binder and a foaming surfactant. The cellulosic fiber comprises greater than 50% by weight of the ply and are bonded to one another by hydrogen bonding. Further, the ply has a density less than about 0.04 g/cc and yet still provides a Gelbo Lint Value less than 5 and a wet tensile strength of at least 10 g-f. In certain embodiments, the ply has a substantially planar, sheet-like structure having a thickness of between about 0.5 and about 5 mm. In addition, water insoluble binders, such as binder fibers, comprise less than about 10% of the ply. In certain embodiments, the tissue paper product can further include one or more additional plies, attached to the ultra-low density ply, comprising a wet-laid tissue including at least 95% wood pulp fibers and having a density between about 0.5 and 0.04 g/cc. Further, one or more of the plies may be pattern embossed, either individually or together with other plies.

In one embodiment, the tissue product may be utilized as part of a wiper and included within a packaged wiping product. In this regard, a packaged wipes product is also provided having a container that defines an interior space and that houses a stack of between 3 and 150 individual wipers. The individual wipers within the container include one or more layers of the ultra-low density tissue sheets described herein. In certain embodiments the packaged wiping product can comprise a stack of wipers provided in a roll format having individual wipers separated by lines of perforation or in a superposed format having wipers in an inter-folded relationship. In still a further embodiment, the ultra-low density tissue sheets may be employed as or part of an absorbent core or liquid distribution layer of a personal care absorbent product such as, for example, a diaper, panty-liner and so forth.

20 Figures

Figure 1 is a perspective view of a dispenser housing a stack of tissue sheets of the present invention.

Figure 2 is a top, plan view of an absorbent personal care article including an absorbent material of the present invention.

25 Description

The ultra-low density paper tissue webs of the present invention are made by forming a highly-expanded, highly porous foam from a foam precursor or slurry comprising (i) a foaming fluid; (ii) cellulosic fibers; (iii) foaming surfactant and, optionally one or more (iv) binders; (v) foam stabilizers; (vi) strength enhancing agents; or (vii) additional additives.

30

Foaming Fluid

Any one or more known foaming fluids compatible with the other components may be used in the practice of the present invention. Suitable foaming fluids include, but are not limited to, water and so forth. The foaming fluid can comprise between about 90% and about 99.9% % of the slurry. In
5 certain embodiments the foaming fluid can comprise between about 93% and 99.5% of the slurry or even between about 95% and about 99.0% of the slurry.

Cellulosic Fibers

A wide variety of cellulosic fibers are believed suitable for use herein. The ultra-low density cellulosic webs of the present invention can, in one aspect, comprise conventional papermaking fibers
10 such as wood pulp fibers formed by a variety of pulping processes, such as kraft pulp, sulfite pulp, bleached chemithermomechanical pulp (BCTMP), chemithermomechanical pulp (CTMP), pressure/pressure thermomechanical pulp (PTMP), thermomechanical pulp (TMP), thermomechanical chemical pulp (TMCP), and so forth. By way of example only, fibers and methods of making wood pulp fibers are disclosed in US4793898 to Laamanen et al.; US4594130 to Chang et al.; US3585104
15 to Kleinhart; US5595628 to Gordon et al.; US5522967 to Shet; and so forth. Further, the fibers may be any high-average fiber length wood pulp, low-average fiber length wood pulp, or mixtures of the same. Examples of suitable high-average length pulp fibers include softwood fibers, such as, but not limited to, northern softwood, southern softwood, redwood, red cedar, hemlock, pine (e.g., southern pines), spruce (e.g., black spruce), combinations thereof, and the like. Examples of suitable low-average
20 length pulp fibers include hardwood fibers, such as, but not limited to, eucalyptus, maple, birch, aspen, and the like.

Moreover, if desired, secondary fibers obtained from recycled materials may be used, such as fiber pulp from sources such as, for example, newsprint, reclaimed paperboard, and office waste. In a particularly preferred embodiment refined fibers are utilized in the tissue web such that the total
25 amount of virgin and/or high average fiber length wood fibers, such as softwood fibers, may be reduced.

Regardless of the origin of the wood pulp fiber, the wood pulp fibers preferably have an average fiber length greater than about 0.2 mm and less than about 3 mm, such as from about 0.35 mm and about 2.5 mm, or between about 0.5 mm to about 2 mm or even between about 0.7 mm and
30 about 1.5 mm.

In addition, other cellulosic fibers believed suitable for use in making the cellulosic webs of the present invention include nonwoody fibers, such as cotton, abaca, bambo, kenaf, sabai grass, flax,

esparto grass, straw, jute hemp, bagasse, milkweed floss fibers, and pineapple leaf fibers. In addition other cellulosic fibers for making the tissue webs include synthetic cellulose fiber types including rayon in all its varieties and other fibers derived from viscose or chemically-modified cellulose such as, for example, those available under the trade names LYOCELL and TENCEL. The non-woody and synthetic cellulosic fibers can have fiber length greater than about 0.2 mm including, for example, having an average fiber size between about 0.5 mm and about 50 mm or between about 0.75 and about 30 mm or even between about 1 mm and about 25 mm. Generally speaking, when fibers of relatively larger average length are being used, it will often be advantageous to utilize relatively higher amounts of foaming surfactant in order to help achieve a foam with the required stability.

10 The solids content, including the cellulosic fibers and any other fibers or particulates contained herein, desirably comprise no more than about 15% of the slurry. In certain embodiments the cellulosic fibers can comprise between about 0.1% and about 15% of the slurry or between about 0.2 and about 10% of the slurry or even between about 0.5% and about 8% of the slurry.

Foaming Surfactant

15 The ultra-low density paper tissue webs of the present invention are made utilizing one of more surfactants capable of forming a stable, high-expansion foam. The fibers and surfactant, together with the foaming liquid and any additional components, need to form a stable dispersion capable of substantially retaining a high degree of porosity for longer than the drying process. In this regard, the surfactant is selected so as to provide a foam slurry having a stability of at least 15 minutes, and still more desirably at least 30 minutes. The foaming surfactant used in the slurry can be selected from one or more known in the art that are capable of providing the desired degree of foam stability. In this regard, the foaming surfactant can be selected from anionic, cationic, nonionic and amphoteric surfactants provided they, alone or in combination with other components, provide the necessary foam stability. As will be appreciated, more than one surfactant can be used, including both different types of surfactants and more than one surfactant of the same type.

Anionic surfactants believed suitable for use with the present invention include, without limitation, anionic sulfate surfactants, alkyl ether sulfonates, alkylaryl sulfonates, or mixtures or combinations thereof. Examples of alkylaryl sulfonates include, without limitation, alkyl benzene sulfonic acids and their salts, dialkylbenzene disulfonic acids and their salts, dialkylbenzene sulfonic acids and their salts, alkylphenol sulfonic acids/condensed alkylphenol sulfonic acids and their salts, or mixture or combinations thereof. Examples of additional anionic surfactants believed suitable for use in the present invention include alkali metal sulforicinate, sulfonated glyceryl esters of fatty acids such

as sulfonated monoglycerides of coconut oil acids, salts of sulfonated monovalent alcohol esters such as sodium oleylisethionate, metal soaps of fatty acids, amides of amino sulfonic acids such as the sodium salt of oleyl methyl tauride, sulfonated products of fatty acids nitriles such as palmitonitrile sulfonate, alkali metal alkyl sulfates such as sodium lauryl sulfate, ammonium lauryl sulfate or
5 triethanolamine lauryl sulfate, ether sulfates having alkyl groups of 8 or more carbon atoms such as sodium lauryl ether sulfate, ammonium lauryl ether sulfate, sodium alkyl aryl ether sulfates, and ammonium alkyl aryl ether sulfates, sulphuric esters of polyoxyethylene alkyl ether, sodium salts, potassium salts, and amine salts of alkylnaphthylsulfonic acid. Certain phosphate including phosphate esters such as sodium lauryl phosphate esters or those available from the Dow Chemical Company
10 under the tradename TRITON are also believed suitable for use herewith. A particularly effective anionic surfactant is sodium dodecyl sulfate (SDS).

Cationic surfactants are also believed suitable for use with the present invention. Foaming cationic surfactants include, without limitation, monocarbyl ammonium salts, dicarbyl ammonium salts, tricarbyl ammonium salts, monocarbyl phosphonium salts, dicarbyl phosphonium salts, tricarbyl
15 phosphonium salts, carbylcarboxy salts, quaternary ammonium salts, imidazolines, ethoxylated amines, quaternary phospholipids and so forth. Examples of additional cationic surfactants include various fatty acid amines and amides and their derivatives, and the salts of the fatty acid amines and amides. Examples of aliphatic fatty acid amines include dodecylamine acetate, octadecylamine acetate, and acetates of the amines of tallow fatty acids, homologues of aromatic amines having fatty
20 acids such as dodecylanalin, fatty amides derived from aliphatic diamines such as undecylimidazoline, fatty amides derived from aliphatic diamines such as undecylimidazoline, fatty amides derived from disubstituted amines such as oleylaminodiethylamine, derivatives of ethylene diamine, quaternary ammonium compounds and their salts which are exemplified by tallow trimethyl ammonium chloride, dioctadecyldimethyl ammonium chloride, didodecyldimethyl ammonium chloride, dihexadecyl
25 ammonium chloride, alkyltrimethylammonium hydroxides, dioctadecyldimethylammonium hydroxide, tallow trimethylammonium hydroxide, trimethylammonium hydroxide, methylpolyoxyethylene cocoammonium chloride, and dipalmityl hydroxyethylammonium methosulfate, amide derivatives of amino alcohols such as beta-hydroxyethylstearylamide, and amine salts of long chain fatty acids. Further examples of cationic surfactants believed suitable for use with the present invention include
30 benzalkonium chloride, benzethonium chloride, cetrimonium bromide, distearyldimethylammonium chloride, tetramethylammonium hydroxide, and so forth.

Nonionic surfactants believed suitable for use in the present invention include, without limitation, condensates of ethylene oxide with a long chain fatty alcohol or fatty acid, condensates of

ethylene oxide with an amine or an amide, condensation products of ethylene and propylene oxides, fatty acid alkylol amide and fatty amine oxides. Various examples of non-ionic surfactants include stearyl alcohol, sorbitan monostearate, octyl glucoside, octaethylene glycol monododecyl ether, lauryl glucoside, cetyl alcohol, cocamide MEA, monolaurin, polyoxyalkylene alkyl ethers such as

5 polyethylene glycol long chain (12-14C) alkyl ether, polyoxyalkylene sorbitan ethers, polyoxyalkylene alkoxyate esters, polyoxyalkylene alkylphenol ethers, ethylene glycol propylene glycol copolymers, polyvinyl alcohol, alkylpolysaccharides, polyethylene glycol sorbitan monooleate, octylphenol ethylene oxide, and so forth.

The foaming surfactant can be used in varying amounts as necessary to achieve the desired

10 foam stability and air-content. In certain embodiments, the foaming surfactant can comprise between about 0.01% and about 5% of the slurry. In certain embodiments the foaming surfactant can comprise between about 0.05% and about 3% of the slurry or even between about 0.1% and about 2% of the slurry.

Foam Stabilizers

15 The foam pre-cursor or slurry may optionally also include one or more foam stabilizers known in the art and that are compatible with the components of the slurry and further do not interfere with the hydrogen bonding as between the cellulosic fibers. Foam stabilizing agents believed suitable for use in the present invention, without limitation, one or more zwitterionic compounds, amine oxides, alkylated polyalkylene oxides, or mixture or combinations thereof. Specific examples of foam

20 stabilizers includes, without limitation, cocoamine oxide, isononyldimethylamine oxide, n-dodecyldimethylamine oxide, and so forth. The foam stabilizer can comprise between about 0.01% and about 2 % of the slurry. In certain embodiments the foam stabilizer can comprise between about 0.05% and 1% of the slurry or even between about 0.1 and about 0.5% of the slurry.

Binder

25 Binder materials include suitable for use in the present invention include, but are not limited to, thermoplastic binder fibers and water-compatible adhesives such as, for example, latexes. Importantly, the binder will comprise one that is water insoluble on the dried cellulosic web. In certain embodiments, latexes used in the present invention can be cationic or anionic to facilitate application to and adherence to the cellulosic fiber. For instance, latexes believed suitable for use with the present

30 invention include, but are not limited to, anionic styrene-butadiene copolymers, polyvinyl acetate homopolymers, vinyl-acetate ethylene copolymers, vinyl-acetate acrylic copolymers, ethylene-vinyl chloride copolymers, ethylene-vinyl chloride-vinyl acetate terpolymers, acrylic polyvinyl chloride

polymers, acrylic polymers, nitrile polymers, as well as other suitable anionic latex polymers known in the art. Examples of such latexes are described in US4785030 to Hager, US6462159 to Hamada, US6752905 to Chuang et al. and so forth. Examples of suitable thermoplastic binder fibers include, but are not limited to, monocomponent and multi-component fibers having at least one relatively low melting thermoplastic polymer such as polyethylene. In certain embodiments, polyethylene/polypropylene sheath/core staple fibers can be used. Binder fibers may have lengths described herein above in relation to the synthetic cellulosic fibers.

Binders in liquid form, such as latex emulsions, can comprise between about 0% and about 10% of the slurry. In certain embodiments the non-fibrous binder can comprise between about 0.1% and 10% of the slurry or even between about 0.2% and about 5% or even between about 0.5% and about 2% of the slurry. Binder fibers, when used, may be added proportionally to the other components to achieve the desired fiber ratios and structure while maintaining the total solids content of the slurry below the amounts stated above.

Strength Additives

One or more wet strength additives may, optionally, be added to the slurry in order to help improve the relative strength of the ultra-low density paper tissue sheet. Such strength additives suitable for use with paper making fibers and the manufacture of paper tissue are known in the art.

Temporary wet strength additives may be cationic, nonionic or anionic. Examples of such temporary wet strength additives include PAREZ™ 631 NC and PAREZ(R) 725 temporary wet strength resins that are cationic glyoxylated polyacrylamides available from Cytec Industries, located at West Paterson, N.J. These and similar resins are described in US3556932 to Coscia et al. and US3556933 to Williams et al. Additional examples of temporary wet strength additives include dialdehyde starches and other aldehyde containing polymers such as those described in US6224714 to Schroeder et al.; US6274667 to Shannon et al.; US6287418 to Schroeder et al.; and US6365667 to Shannon et al., and so forth.

Permanent wet strength agents comprising cationic oligomeric or polymeric resins may be used in the present invention. Polyamide-polyamine-epichlorohydrin type resins such as KYMENE 557H sold by Hercules, Inc. located at Wilmington, Del. are the most widely used permanent wet-strength agents and are suitable for use in the present invention. Such materials have been described in the following US3700623 to Keim; US3772076 to Keim; US3855158 to Petrovich et al.; US3899388 to Petrovich et al.; US4129528 to Petrovich et al.; US4147586 to Petrovich et al.; US4222921 to van Eenam and so forth. Other cationic resins include polyethylenimine resins and

aminoplast resins obtained by reaction of formaldehyde with melamine or urea. Permanent and temporary wet strength resins may be used together in the manufacture of tissue sheets and tissue products of the present invention.

Dry strength resins may also optionally be applied to the tissue sheet of the present invention.

5 Such materials may include, but are not limited to, modified starches and other polysaccharides such as cationic, amphoteric, and anionic starches and guar and locust bean gums, modified polyacrylamides, carboxymethylcellulose, sugars, polyvinyl alcohol, chitosan, and the like.

The strength additives can comprise between about 0.01 and about 5% of the slurry. In certain embodiments the strength additives can comprise between about 0.05% and about 2% of the
10 slurry or even between about 0.1% and about 1% of the slurry.

Additional Additives.

Other additional components may be added to the slurry so long as they do significantly interfere with the formation of the highly-expanded stable foam, the hydrogen bonding as between the cellulosic fibers or other desired properties of the web. As examples, additional additives may include
15 one or more pigments, opacifying agents, anti-microbial agents, pH modifiers, skin benefit agents, fragrances and so forth as desired to impart or improve one or more physical or aesthetic attributes. In certain embodiments the tissue sheet may include skin benefit agents such as, for example, antioxidants, astringents, conditioners, emollients, deodorants, external analgesics, film formers, humectants, hydrotropes, pH modifiers, surface modifiers, skin protectants, and so forth. When
20 employed, miscellaneous additives desirably comprise less than about 2% of the slurry and still more desirably less than about 1% of the slurry and even less than about 0.5% of the slurry.

Formation of the Tissue Sheet

Formation of Highly-Expanded Foam

The foam precursor or slurry is acted upon to form a highly-expanded foam. More specifically,
25 the slurry is acted upon so as to form a highly porous foam having an air content greater than about 50% by volume and, more desirably, greater than about 60% by volume. In certain aspects, the highly-expanded foam is formed having an air content of between about 60% and about 95% and in further aspects between about 65% and about 85% by volume. In certain embodiments, the highly-expanded foam may be acted upon to introduce air bubbles such that the ratio of expansion (volume of
30 air to slurry in the expanded stable foam) is greater than 1:1 and in certain embodiments the ratio of

slurry:air can be between about 1:1.1 and about 1:20 or between about 1:1.5 and about 1:15 or between about 1:2 and about 1:10 or even between about 1:3 and about 1:5.

The highly-expanded foam can be generated by one or more means known in the art. Examples of suitable methods include, without limitation, aggressive mechanical agitation, injection of compressed air, and so forth. Mixing the components through the use of a high-shear, high-speed mixer is particularly well suited for use in the formation of the desired highly-porous foams. Various high-shear mixers are known in the art and believed suitable for use with the present invention. High-shear mixers typically employ a tank holding the foam precursor and/or one or more pipes through which the foam precursor is directed. The high-shear mixers may use a series of screens and/or rotors to work the precursor and cause aggressive mixing of the components and air. In a particular embodiment, a tank is provided having therein one or more rotors or impellers and associated stators. The rotors or impellers are rotated at high speeds in order to cause flow and shear as a result of the speed of the slurry at the tip of the rotor being higher than that at the center of the rotor. Air may, for example, be introduced into the tank at various positions or simply drawn in by the action of the mixer. While the specific mixer design may influence the speeds necessary to achieve the desired mixing and shear, in certain embodiments suitable rotor speeds may be at least about 1000 rpm and, for example, be between about 1000 rpm and about 6000 rpm or between about 2000 rpm and about 4000 rpm. In certain embodiments, with respect to rotor based high-shear mixers, the mixer maybe run with the foam slurry until the disappearance of the vertex in the slurry.

In addition, it is noted the foaming process can be accomplished in a single foam generation step or in sequential foam generation steps. For example, in one embodiment, all of the components may be mixed together to form a foam slurry from which a highly-expanded foam is formed. Alternatively, one or more of the individual components may be added to the foaming fluid, an initial mixture formed (e.g. a dispersion or foam), after which the remaining components may be added to the initially foamed slurry and then acted upon to form the final highly-expanded foam. In this regard, the water and foaming surfactant may be initially mixed and acted upon to form an initial foam. The cellulosic fibers may then be added to the water/surfactant foam and then further acted upon to form the final highly-expanded foam. As a further alternative, the water and fibers may be aggressively mixed to form an initial dispersion after which the foaming surfactant and other components are added to form a second mixture which is then mixed and acted upon to form the highly-expanded foam.

Tissue Sheet Formation

The highly-expanded foam, once formed, can be acted upon so as to remove the foaming fluid, without substantial loss or degradation of the porous structure, so as to form an ultra-low density paper tissue web. Typically, this will comprise drying of the highly-expanded foam in a non-compressive manner. The highly-expanded foam can be dried by one or more means known in the art such as, for example, heating by radiation such as microwaves or infrared radiation, inductively heated, heated by conduction or convection, such as by gentle (non-compressive) through-air drying, or the like. As an example, and with respect to through-air drying, the highly-expanded foam can be fed onto a foraminous fabric or screen (i.e. a forming fabric) and hot, dry air directed through the foam. In this regard, desirable flow rates are sufficiently low so as not to cause significant compression and/or degradation of the air bubbles strewn throughout the material. Alternatively, a sheet of high-expanded foam can be placed into a convection oven and heated to the desired degree. It will be appreciated that temperatures used in the drying operation should not be so high as to excessively melt any binder fiber that may be present nor so high as to cause significant loss of air bubbles within the material. The foam is desirably dried to achieve a paper tissue web wherein less than about 10% of the foaming liquid and/or water remains. In certain embodiments, the dried paper tissue web will have a water content of between about 1% and about 8% or further between about 2% and 5%.

In one aspect, the highly-expanded foam may be directed onto and spread across a forming fabric or mold to form a sheet-like structure. The spread and height of the foam will be selected in relation and/or proportional to the desired dimensions of the dried cellulosic web.

Cellulosic Product

Once dried, the cellulosic tissue sheet of the present invention will have very low densities, such as below 0.5 g/cc. In this regard, the cellulosic tissue sheet can have a density below about 0.04 g/cc such as for example, having a density between about 0.04 g/cc and about 0.005 g/cc, between about 0.02 g/cc and about 0.005 g/cc or even between about 0.099 g/cc and about 0.005 g/cc. Relatedly, in certain aspects, the cellulosic tissue sheet can comprise a highly porous structure having network of inter-connected pores extending through the thickness of the sheet. In certain embodiments, a significant number and/or majority of pores having a substantially spherical shape.

Further, the cellulosic tissue sheet can comprise greater than 50% by wt. cellulosic fibers and in certain embodiments can comprise greater than 70%, 85%, or even 95% by wt. cellulosic fibers. In certain embodiments, the cellulosic fibers can comprise 100% of the fibrous component of the tissue sheet including, for example, comprising between about 55% - 100% by wt. or between about 85% -

100% by wt. of the fibrous component of the tissue sheet. Further, in certain embodiments, the cellulosic tissue sheet can include less than about 30%, less than 10% or less than 2% by wt. binder. In certain embodiments, the tissue sheet can include, for example, between 0 – 30% by wt. binder, between 0.1%-10% or between about 0.1% - 2% by wt. binder.

5 Depending on the method of drying the foam, a portion of the foaming surfactant may have been removed with the water. However, regardless of the drying method, an amount of foaming surfactant will remain on the fibers and within the foamed tissue sheet. In this regard, the cellulosic tissue web can include between about 0.01% and about 5 % by wt. foaming surfactant. In certain embodiments the tissue sheet can comprise between about 0.05% and about 3% or between about
10 0.5% and 3% or even between about 0.1% and about 1% by wt. foaming surfactant. Similarly, the foam stabilizer, when used, may be present in the dried paper tissue web in an amount between 0 and about 2% by wt., or between about 0.01% and about 2% by wt. or even between about 0.05% and about 1% by wt.. Further, the strength enhancing agents, when used, may be present in the cellulosic tissue sheet in an amount between about 0.01% and about 5% by wt. and in other embodiments
15 between about 0.5% and about 2% by wt.

In addition, despite the ultra-low density of the sheet and high cellulosic fiber content, it can have low lint properties. More specifically, the tissue sheet can have Gelbo Lint Value Gelbo Lint Value less than 5 and more desirably less than 4 and still more desirably less than 3. In certain embodiments, for particles having a size of at least 0.10 mm, the tissue sheet can have a modified
20 Gelbo Lint Value of less than 5 and more desirably less than 4 and still more desirably less than 3. Further, in certain embodiments, the cellulosic tissue sheet can have a wet tensile strength of at least about 10 g-f such as, for example, between about 15 and about 500 g-f or between about 20 and about 300 g-f.

The thickness and basis weight of the sheet can be selected as desired to fulfill the needs of
25 the particular personal care article and/or component thereof. In this regard, the cellulosic tissue sheet can have a thickness selected to provide the desired degree of absorbency and/or bulk, and in certain aspects can have a thickness between about 0.5 and about 45 mm or, in alternate embodiments, between about 1 mm and 30 mm. The cellulosic tissue sheet may be converted into a wiping article, personal care article or a component of such articles through one or more known ways in the art. The
30 size of the cellulosic tissue sheet may be shaped and/or sized as needed to provide sufficient bulk, surface area and/or perform the intended function either alone or as a component in a multi-component article.

Wiping Articles

With respect to uses as a wiping article such as, for example, as a facial tissue, cosmetic wipe, toilet tissue, table napkin, or other wiping article, the cellulosic tissue sheet can have a thickness of between about 0.5 mm and about 5 mm or, in other embodiments between about 1 mm about 3
5 mm. In certain embodiments, for wiping or cleaning applications and articles, the cellulosic tissue can have a basis weight of at least about 10 g/M² (or gsm) such as for example, having a basis weight of between about 10 gsm and about 100 gsm or between about 15 gsm and about 90 gsm or even between about 20 gsm and about 80 gsm.

With respect to a wiping and/or cleaning product, the size of the article 10 may be shaped
10 and/or sized to provide sufficient surface area to enable a user to clean and/or treat the intended body part(s). By way of example, for many personal care applications it will be adequate for the article 10 to have a maximum diameter of between about 5 - 45 cm or, in other embodiments, between about 7 and about 35 cm or between about 10 cm and about 30 cm. For certain personal care products, including use as a facial cleansing and/or cosmetic product, the article 10 desirably has a length of between 5 –
15 30 cm and a width between about 5 – 30 cm, including for example, having dimensions between 25 cm (L) x 25 cm (W) and (5 cm (L) x 5 cm (W). The shape of the article 10 may vary as desired and may comprise rectilinear, curvilinear and irregular shapes. By way of example, the article may be circular, elliptical, oval, square, rectangular, multi-lobal and so forth.

Wiping and/or cleaning articles of the present invention can, in certain aspects, comprise
20 multi-ply products wherein at least one of the layers comprises the ultra-low density cellulosic tissue web described herein. The individual layers may, in one aspect, be separately formed and then attached to one another by one or more means known in the art such as, for example, by adhesives, "crimp" or compressive bonding (e.g. application of pressure), thermal bonding (e.g. where a layer includes one or more thermoplastic binder fibers), and so forth. In one aspect, the multi-ply webs may
25 be pattern embossed. Such embossing and/or plying techniques are known in the art and examples include, but are not limited to, those described in US3867225 Nystrand; US4320162 to Schulz; USD305181 to Veith and so forth. In addition and/or alternatively, the ultra-low density paper tissue web may be formed directly on or with a second layer to form an integrated and/or coherent multi-layer laminate.

30 In certain aspects, the tissue product may comprise a multi-layer or multi-ply product comprising a first tissue web comprising an ultra-low density tissue web as described herein and a second paper tissue web having one or more different properties from that of the ultra-low density

paper tissue web. In one aspect, the second paper tissue web can have a density of between 0.5 g/cc and 0.04 g/cc or, in further embodiments, a density between about 0.3 g/cc and about 0.05 g/cc. Further, the second tissue sheet can have a basis weight between about 10 to about 100 gsm or between about 20 and about 90 gsm. For certain facial tissue products, each of the layers can have a basis weight between about 10 to about 20 gsm. However, for heavier duty paper products such as a paper towel, in certain embodiments, each of the layers may have a basis weight between about 15 gsm and about 40 gsm. The thickness of the sheets may, in certain embodiments, be between about 0.5 mm and about 5 mm or, in other embodiments, between about 1 mm about 3 mm. The second ply can, in certain embodiments, comprise at least about 95% cellulosic fibers, at least about 98% cellulosic fibers or at least about 99% cellulosic fibers. Further, the fibers making up the second ply can, in certain embodiments, comprise entirely (100%) cellulosic fibers. The second ply can, in one aspect, comprise a wet-formed tissue sheet. Wet formed tissue sheets formed by a through-air drying process are well suited for use in conjunction with the foamed tissue sheet of the present invention; such tissue webs are generally characterized by relatively higher bulk and absorbency than convention wet-pressed tissue and in certain embodiments can be formed with a surface texture to improve cleaning efficacy and/or hand. Tissue sheets of this type are described in and formed by methods described in US4191609 to Trokhan; US5443691 to Van Phan et al.; US5672248 to Wendt et al.; US6787000 Burazin et al.; US2015/0176221 Malden et al., and WO2015/080726 to Burazin et al.; the contents of which are incorporated herein by reference to the extent consistent herewith. Further, in certain embodiments the second web may comprise a wet-formed tissue sheet dried by a wet-press process and which is characterized by relatively higher density and more compact, planar fiber orientation. Such tissue webs are often dried on a Yankee drier and creped on one or both sides to further increase bulk and improve sheet strength. Tissue sheets of this type are described in and formed by methods described in US4894118 Edwards et al.; US4942077 Kessner et al.; US6454904 Hermans et al.; WO2015/066036 to Bradley et al., the contents of which are incorporated herein by reference to the extent consistent herewith.

In certain embodiments, the multi-ply tissue product of the present invention can comprise an ultra-low density tissue web as described herein attached to a nonwoven web. Nonwoven webs can be formed from many processes, such as, for example, meltblowing processes, spunbonding processes, air-laying processes, coforming processes, bonded carded web processes, hydroentangling processes and so forth. By way of non-limiting example, various nonwoven webs and processes for making the same are described in US3849241 to Butin et al., US4340563 to Appel et al., US4443513 to Meitner et al., US4548856 to Ali Kahn et al., US4853281 to Abba et al., US5382400 to

Pike et al., US5575874 to Griesbach et al., US6224977 to Kobylivker et al., US6811638 to Close et al., US6946413 to Lange et al., US2004/0192136 to Gusky et al., US2006/0008621 to Gusky et al., US4100324 to Anderson et al., US5350624 to Georger et al., US2011/151596 to Jackson et al., US3485706 to Evans, US3620903 to Bunting et al., US5009747 Viazmensky et al., US5284703 to Everhart et al., US6200669 to Marmon et al., and so forth. In certain aspects the nonwoven webs can have a basis weight of from about 15 gsm to about 240 gsm or, in alternate embodiments, between about 20 - 190 gsm or between about 25 - 90 gsm. In this regard, the fibrous material includes greater than about 25% by weight synthetic fibers and in certain embodiments between about 40% - 100% synthetic fibers and in still further embodiments between about 55% - 100% synthetic fibers. The synthetic fibers may comprise polymers such as, for example, polyolefin, polyester, polyamide, polylactic acid, or other fiber forming polymers.

In a further aspect, a multi-ply product of the present invention can comprise an ultra-low density cellulosic tissue product as described herein plied to a nonwoven web of cellulosic synthetic fibers such as, for example, viscose. In one aspect, a multi-ply product can comprise an ultra-low density tissue product described herein attached to a biodegradable and/or flushable nonwoven web. Examples of biodegradable and/or flushable nonwoven fabrics include, but are not limited to, those described in US5948710 to Pomplun et al., US5667635 Win et al., US6043317 to Mumick et al., WO2007/110497 to Noelle, US2011/0290437 to Vogel et al., US2015/118466 Zwick et al., and so forth.

In certain embodiments, the ultra-low density tissue web described herein may comprise an outer layer or ply in the multi-ply laminate. In alternate embodiments, the multi-layer tissue product may comprise 3 or more layers. In certain such embodiments and in relation to a multi-ply web having 3 or more plies, the ultra-low density tissue web described herein may comprise an inner or central ply and wherein first and second outer plies can comprise wet-laid paper tissue webs or nonwoven webs described herein above. Further, in such embodiments the first and second outer plies may be the same or different materials.

The wiping products can be provided in a stack and incorporated or oriented in a container as desired. Further, the stack of sheets can be folded as desired in order to improve efficiency of use and/or dispensing. The stack(s) of the tissue products are desirably arranged to facilitate removal or dispensing, and in certain embodiments, can be arranged to facilitate metered dispensing. The sheets may be inter-folded in various known overlapping configurations such as, for example, V-folds, Z-folds, W-folds, quarter-folds and so forth. Equipment and processes for forming dispensable stacks of wipes

are known in the art; examples of which include, but are not limited to, those described in US3401927 to Frick et al.; US4502675 to Clark et al.; US5310398 to Onekama, US6612462 to Sosalla et al., and so forth. With respect to product formats utilizing a continuous length of sheet material, such as in certain rolled formats, the individually separable wet wipes desirably have perforated or over-bonded lines of weakness which allow separation into smaller individual sheets of a desired shape and size. The particular stack height and sheet count can vary with the intended format and use. However, in certain embodiments, the stack may include between 3 and 250 individual tissue products, in further embodiments may include between about 10 and 150 tissue products and in still further embodiments may include between about 10 and 90 tissue products.

The stack of tissue products may be housed within a container adapted for the maintenance and/or dispensing of wiping products. Numerous such containers, e.g. packages and/or dispensers, are known in the art and suitable for use herewith. In one aspect, the container includes a plurality of walls defining an interior space. In one aspect, the container may comprise a flexible pack formed by thin polymeric film and optionally further having a resealable or reclosable dispensing opening for accessing the tissue products contained therein. Examples of flexible packaging dispensers include, but are not limited to, those described in US4863064 to Dailey, US5524759 Herzberg et al., US6012572 Heathcock et al., US7527152 to House et al., WO96/37138 Bauer et al., US2010/155284 Foley et al. and so forth. In addition, substantially rigid dispensers suitable for dispensing the paper tissue products of the present invention include, but are not limited to, those described in US3369700 Nelson et al., US3369699 Enloe et al., US5785179 Buczwinski et al., US7028840 Huang et al., US7543423 Long et al., US2005/211718 Decker et al., US2007/0235466 Fulscher et al., and so forth. In a particular embodiment, such as seen in reference to Figure 1, a stack 22 of individual tissue products 20 may be positioned within a container or dispenser 24. The tissue stack 22 is located within the walls 24 of the dispenser 23 and may comprise the substantial majority of the interior space of the dispenser 23. The dispenser 23 can have at least one side panel, such as a top side panel 26, having a dispensing opening 28 through which the individual tissue sheets 20 can be removed. Commonly, the dispensing opening 28 will have a tab or cover (not shown) that is positioned over the dispensing opening but which is designed to be removed by the ultimate user at the time of use. To facilitate one at a time or metered dispensing, the dispensing opening 28 can have a flexible membrane or film 27 partially occluding the dispensing opening and designed to provide a frictional force on the tissue sheet 20 being removed and thereby facilitate proper separation of the individual tissue sheet 20 from the stack 22.

Personal Care Absorbent Articles

Absorbent personal care articles generally include a liquid permeable topsheet, which faces the wearer, and a liquid-impermeable backsheet or outer cover. Disposed between the topsheet and outer cover is an absorbent core. In this regard, the topsheet and outer cover are often joined and/or sealed to encase the absorbent core. Although certain aspects of the present invention are described in the context of a particular personal care absorbent article, it will be readily appreciated that similar uses in other types of personal care absorbent articles and/or further combinations or alterations of the specific configurations discussed below may be made by one skilled in the art without departing from the spirit and scope of the present invention.

In a particular embodiment, and in reference to Fig. 2, a diaper 50 can comprise a liquid-impervious outer cover 54, a liquid permeable topsheet 52 positioned in facing relation to the outer cover 54, and an absorbent core 56 between the outer cover 54 and topsheet 52. The diaper 50 may be of various shapes such as, for example, an overall rectangular shape, T-shape, hourglass shape and so forth. The topsheet 52 is generally coextensive with the outer cover 54 but may optionally cover an area that is larger or smaller than the area of the outer cover 54, as desired. While not shown, it is to be understood that portions of the diaper, such as a marginal section of the outer cover, may extend past and around the terminal edges of the product and form a portion of the body-facing layer. The diaper 50 also has end margins 62 adapted to fit about the waist of the wearer and a central region 64 designed to extend about the groin region as well as provide leg openings in combination with end margins 62. Fastening members 61 are commonly located adjacent the end margins 62 for securing the diaper about the wearer.

The topsheet or body-side liner 52, as representatively illustrated in Fig. 2, desirably presents a body facing surface which is compliant, soft to the touch, and non-irritating to the wearer's skin. The topsheet 52 is desirably employed to help isolate the wearer's skin from liquids held in the absorbent core 56. Topsheets are well known in the art and may be manufactured from a wide variety of materials, such as porous foams, reticulated foams, apertured plastic films, natural fibers (wool, cotton fibers, etc.), synthetic fibers (polyester, polypropylene, polyethylene, etc.), combinations of natural and synthetic fibers, and so forth. Topsheets can comprise a single layer or a multiple layers including a combination of one or more different materials. Nonwoven fabrics, and laminates thereof, are commonly utilized to form topsheets. Suitable topsheet materials include, but not limited to, those described in US5382400 to Pike et al.; US5415640 to Kirby et al.; US5527300 to Sauer; US5994615

to Dodge et al.; US6383960 to Everett et al.; US6410823 to Daley et al.; US2014/0121623 to Biggs et al. and so forth.

The backsheet or outer cover 54 comprises a liquid-impervious material. Desirably, the outer cover comprises a material that prevents the passage of water but allows air and water-vapor to pass there through. The outer cover can comprise a single layer of material or multiple layers including one or more layers of different materials. In a particular embodiment, the outer cover can comprise a film fixedly attached or bonded to one or more nonwoven webs. The particular structure and composition of the outer cover may be selected from various combinations of films and/or fabrics. In this regard, the outer most layers are generally selected for providing the desired strength, abrasion resistance, tactile properties and/or aesthetics. As an example, nonwoven fabrics are commonly employed as the outermost layer of the outer cover. Suitable outer covers include, but are not limited to, those described in US4041203 to Brock et al.; US6075179 et al. to McCormack et al.; US6111163 to McCormack s et al.; US2015/099086 to Cho et al. and so forth.

Between the liquid-impervious outer cover 54 and the liquid pervious topsheet 52 is positioned an absorbent core 56. The absorbent core may itself comprise a multiple layers having similar or different absorbent properties. In this regard, the absorbent core often includes one or more absorbent materials including, but not limited to, superabsorbent particles, wood pulp fibers, synthetic wood pulp fibers, synthetic fibers and combinations thereof. The absorbent core may have any of a number of shapes and the size of the absorbent core and selection of materials therein will vary with the desired loading capacity, the intended use of the absorbent article and other factors known to those skilled in the art. Examples of various absorbent core structures and/or additional absorbent materials that may be used in conjunction with the present invention include, but are not limited to, those described in US4699823 to Kellenberger et al.; US5458592 to Abuto et al; US5601542 to Melius et al.; US6129720 to Blenke et al.; US6383960 to Everett et al.; US7938813 to Elliker et al.; US2002/0183703 Dodge et al. and so forth. In one aspect, the absorbent core may include one or more layers, wherein at least one layer comprises the ultra-low density cellulosic tissue sheet described herein. In certain embodiments, the absorbent core may include a stack of ultra-low density cellulosic tissue sheets.

In addition, it is also common for the personal care absorbent article to employ a liquid distribution layer or "wicking" layer 58 above the absorbent core 56 in order to increase the span and/or regulate the speed with which the liquid coming into the absorbent article reaches the absorbent core. However, in other embodiments, the liquid transfer layer may alternatively and/or additionally be placed beneath the absorbent core (not shown). Such materials can comprise one or

more nonwoven webs including for example, but not limited to multi-functional air-laid materials, apertured film/nonwoven laminates, high-loft nonwoven fabrics and so forth. Examples of various liquid distribution layers include, but are not limited to, those described in US5364382 to Latimer et al.; US6437214 to Bolwerk et al.; US6534149 Mace et al.; US6617490 Lindsay et al and so forth. In certain embodiments, the absorbent personal care article may include a liquid distribution layer comprising an ultra-low density cellulosic material described herein.

The personal care articles can, optionally, contain one or more additional elements or components. In this regard, numerous additional features and various constructions are known in the art. As but a few examples and in reference to FIG. 2, the diaper can further include elastic leg cuffs 65, an elastic waistband 60, fluid control flaps 66, and so forth. One skilled in the art will appreciate the application and use of the ultra-low density webs of the present invention in like manners for other absorbent personal care articles including, for example, adult incontinence garments, incontinence pads/liners, sanitary napkins, party-liners, sweat pads, bandages, and so forth. In addition, other absorbent articles that may include one or more layers of the ultra-low density webs of the present invention including, but are not limited to, baby bibs and changing pads, bed pads, food tray liners, and so forth.

The cellulosic tissue webs and products can, optionally, include one or more additional elements or components as are known in the art. Thus, while the invention has been described in detail with respect to specific embodiments and/or examples thereof, it will be apparent to those skilled in the art that various alterations, modifications and other changes may be made to the invention without departing from the spirit and scope of the same. It is therefore intended that the claims cover or encompass all such modifications, alterations and/or changes.

Definitions and Test Methods

In reference to the Figures and throughout the specification and claims, discussion of the articles and/or individual components thereof is with the following understanding:

The terms "comprising" or "including" or "having" are inclusive or open-ended and do not exclude additional unrecited elements, compositional components, or method steps. Accordingly, the terms "comprising" or "including" or "having" also encompass the more restrictive terms "consisting essentially of" and "consisting of".

As used herein, the term "basis weight" generally refers to the bone dry weight per unit area of a tissue and is generally expressed as grams per square meter (gsm). Basis weight is measured using TAPPI test method T-220 sp-10.

As used herein, the term "nonwoven web" means a web having a structure of individual fibers or threads which are interlaid, but not in an identifiable manner as in a knitted web.

The term "personal care absorbent article" refers herein to an article intended and/or adapted to be placed against or in proximity to the body (i.e., contiguous with the body) of the wearer to absorb and contain various liquid, solid, and semi-solid exudates discharged from the body. Examples
5 include, but are not limited to, diapers, diaper pants, training pants, youth pants, swim pants, feminine hygiene products, including, but not limited to, menstrual pads or pants, incontinence products, medical garments, surgical pads and bandages, and so forth.

The term "ply" refers to a discrete layer within a multi-layered product wherein individual plies
10 may be arranged in juxtaposition to each other.

The term "plied" or "bonded" or "coupled" refers herein to the joining, adhering, connecting, attaching, or the like, of two elements. Two elements will be considered plied, bonded or coupled together when they are joined, adhered, connected, attached, or the like, directly to one another or indirectly to one another, such as when each is directly bonded to intermediate elements. The plying,
15 bonding or coupling of one element to another can occur via continuous or intermittent bonds.

As used herein, unless expressly indicated otherwise, when used in relation to material compositions the terms "percent", "percentage", "weight percent" or "percent by weight" each refer to the quantity by weight of a component as a percentage of the total.

As used herein, the term "stack" is used broadly to include any collection of sheets wherein
20 there is a plurality of individual sheets having surface-to-surface interfaces; this not only includes a vertically stacked collection of individual sheets, but also includes a horizontally stacked collection of individual sheets as well as a rolled or folded collection of continuous sheet material separated by lines of weakness (e.g. perforations).

As used herein "caliper" or "thickness" of a sheet is determined by using a micrometer having
25 an acrylic platen with a pressure foot area of 45.6 cm² (3 inch diameter), providing a load of 0.345 kPa (0.5 psi), and the reading is taken after a dwell time of 3 seconds. A sample is cut having a size of 90 x 102 mm (3.5 x 4 inches) is used for the measurement.

As used herein "Gelbo Lint Value" is determined in accordance with INDA Standard Procedure
30 160.1.RO (12) using the counting method C. This test determines the relative number of particles released from a fabric when it is subjected to a flexing and twisting movement.

As used herein "tensile" strength, "Dry Tensile Strength" or "Wet Tensile Strength", is the peak load value, i.e. the maximum force produced by a specimen when it is pulled to rupture. Samples for tensile strength testing are prepared by cutting a 76 mm wide strip of the sheet to be tested and then conditioning the specimen by hanging in an oven at 105C for six minutes. The instrument used for measuring tensile strengths is an Instron Tensile Tester and the data acquisition software is MTS TestWorks™ for Windows Ver. 4 (MTS Systems Corp., Research Triangle Park, NC). The load cell is selected from either a 50 Newton or 102 Newton maximum, depending on the strength of the sample being tested, such that the majority of peak load values fall between 10 and 90 percent of the load cell's full scale value. The gauge length between jaws is 100 mm. The jaws are operated using pneumatic- action and are rubber coated. The grip face width is 76, and the approximate height of a jaw is 13 mm. The crosshead speed is 254 mm/minute, and the break sensitivity is set at 65 percent, slack compensation is set at 25 g. The sample is placed in the jaws of the instrument, centered both vertically and horizontally. The test is then started and ends when the specimen breaks. The peak load is recorded as either the "MD tensile strength" or the "CD tensile strength" of the specimen depending on the sample being tested. Six (6) representative specimens are tested for each product, and the arithmetic average of all individual specimen tests is either the MD or CD tensile strength for the product. For purposes of the present invention, the tensile refers to the higher value of the CD or MD as applicable. Wet tensile strength measurements are measured in the same manner, with the exception that the center portion of the previously conditioned sample strip has been saturated with distilled water immediately prior to loading the specimen into the tensile test equipment. Sample wetting is performed by first laying a single test strip onto a piece of blotter paper (Fiber Mark, Reliance Basis 120). A pad is then used to wet the sample strip prior to testing. The pad is a green, Scotch-Brite brand (3M) general purpose commercial scrubbing pad. To prepare the pad for testing, a full-size pad is cut approximately 2.5 inches long by 4 inches wide. A piece of masking tape is wrapped around one of the 4-inch long edges. The taped side then becomes the "top" edge of the wetting pad. To wet a tensile strip, the tester holds the top edge of the pad and dips the bottom edge in approximately 0.25 inches of distilled water located in a wetting pan. After the end of the pad has been saturated with water, the pad is then taken from the wetting pan and the excess water is removed from the pad by lightly tapping the wet edge three times across a wire mesh screen. The wet edge of the pad is then gently placed across the sample, parallel to the width of the sample, in the approximate center of the sample strip. The pad is held in place for approximately one second and then removed and placed back into the wetting pan. The wet sample is then immediately inserted into the tensile grips so the wetted area is approximately centered between the upper and lower grips. The test strip should be

centered both horizontally and vertically between the grips. (It should be noted that if any of the wetted portion comes into contact with the grip faces, the specimen must be discarded and the jaws dried off before resuming testing.) The tensile test is then performed and the peak load recorded to obtain the wet tensile strength.

5 Examples

The below examples were made according to the following process. A total of 2000 grams of a slurry was added into a disintegrator's cup for fiberizing wood pulp fiber. The slurry was formed to having a fiber consistency of about 2%. 40 grams of dry commercial densified wood pulp sheet and, where applicable additional fibers, were weighed according to fiber mixture weight ratio and placed into
10 the British standard disintegrator's cup. 1960 grams of distilled water was added into the cup and the fiber mixture was soaked for 5 minutes. The cup was then mounted onto the disintegrator and ran for 15,000 revolutions to sufficiently fiberize the wood pulp fiber. After this, 500 grams of the slurry was weighed in a separate container having a dimension of 150 mm in diameter and 170 mm in height and
15 6.5 grams of 10% sodium dodecyl sulfate solution was added into the container. The surfactant concentration in the slurry was about 0.13 weight percent. The slurry was mixed by a high speed rotary mixer at a speed of 4000 rpm for several minutes until the vertex inside the container disappeared.

The foam formed fiber slurry was then shaped into a sheet by two different ways. Method 1 was to pour entire foamed slurry into a lab hand sheet former with an area dimension of 10 inches by
20 10 inches. Method 2 was to control thickness of the wet foam sheet by push it through a gap with the gap height controlled through the use of different diameter metal rods.

The foam sheets were dried in an oven at 90°C for about 2 to 3 hours. Optionally, the dried base sheets were subsequently heat cured at a temperature suitable to activate binder fiber to achieve its thermo-bonding.

25 Example 1: Foam formed base sheet comprising only wood pulp fiber; the wood pulp fiber consisted of a mixture of northern softwood kraft fiber (LL-19) and Eucalyptus fiber.

Example 2: Foam formed base sheet comprising both wood pulp fiber and a binder fiber. The wood pulp fiber consisted of a mixture of northern softwood kraft fiber (LL-19) and Eucalyptus fiber. The binder fiber comprised Trevira T255-6 polyethylene/PET sheath/core staple fiber with a 6 mm fiber
30 length and 2.2 dtex. After drying, the web was further heated at 130C for one hour cured in order to activate the binder fiber.

The low density webs of the examples were tested and the properties are reported in the table below.

Table 1 A Summary of Different Base Sheets with Compositions & Certain Basic Properties

Sample No.	Base Sheet Description	Foam Forming Slurry Composition					Properties	
		Pulp Euc (g)	LL-19 (g)	Binder Fiber T255-6 (g)	Surfactant SDS (g)	Water (g)	Basis Weight (g/m ²)	Density (g/cm ³)
1	Foam Formed	10.5	4.5	-	0.65	485	135	0.016
2	Foam Formed	10.5	4.5	1.5	0.65	485	139	0.0157

Table 2 A Summary of Tensile Testing and Lint Content Testing Results

Code ID	Tensile Testing Results		Average Number of Linting Particles Shaking Out from the Substrates			
	Dry (g·force)	Wet (g·force)	>5.0 μm	>10.0 μm	> 25.0 μm	Lint Content (Sum)
1	116	22	1.6	0.8	0.4	2.8
2	920	255	0.8	0.7	0.1	1.6

5

What is claimed is:

Claim 1. A tissue paper product comprising:

a first ply having a highly porous, open-celled structure comprising cellulosic fibers, a water insoluble binder and a foaming surfactant and wherein the cellulosic fiber comprises greater than 50%
5 by weight of the first ply;

said cellulosic fibers of said first layer are bonded to one another by hydrogen bonding; and

wherein said first layer has a density less than about 0.04 g/cc, Gelbo Lint Value less than 5
and a wet tensile strength of at least 10 g-f.

Claim 2. The tissue paper product of claim 1 wherein said first ply has a substantially planar, sheet-
10 like structure having a thickness of between about 0.5 and about 5 mm.

Claim 3. The tissue paper product of claim 1 wherein said water insoluble binder comprises binder fibers and further wherein said binder fibers comprise less than about 10% of said first ply.

Claim 4. The tissue paper product of claim 1 further comprising a wet strength resin adhered to said cellulosic fibers and selected from the group consisting of cationic oligomeric or polymeric resins.

15 Claim 5. The tissue paper product of claim 2 wherein the density of said first ply is between about 0.02 g/cc and about 0.005 g/cc.

Claim 6. The tissue paper product of claim 1 wherein said foaming agent is selected from cationic and anionic surfactants and is present in said first ply in an amount between about 0.1 and about 5%.

Claim 7. The tissue paper product of claim 1 further comprising a second ply comprising a wet-laid
20 tissue including at least 95% wood pulp fibers and having a density between about 0.5 and 0.04 g/cc, and further wherein said first and second plies are attached to one another.

Claim 8. The tissue paper product of claim 7 wherein the first and second plies are pattern embossed.

Claim 9. The tissue paper product of claim 7 further comprising a third-ply comprising a wet-laid tissue including at least 95% wood pulp fibers and having a density between about 0.5 and 0.04 g/cc, and
25 wherein said first ply is positioned between said second and third plies and said first, second and third layers are attached to one another.

Claim 10. A packaged wiping product comprising:

a container defining an interior space;

a stack of between 3 and 150 individual wiping sheets, said stack located within said interior space;

said wiping sheets comprising the tissue paper product of claim 1.

5 Claim 11. The packaged wiping product of claim 10 wherein said container has a reclosable dispensing opening.

Claim 12. The packaged wiping product of claim 10 wherein said container has a dispensing opening and a flexible film partially occluding said dispensing opening.

Claim 13. The packaged wiping product of claim 11 wherein the density of said first ply is between about 0.02 g/cc and about 0.005 g/cc.

10 Claim 14. The packaged wiping product of claim 13 further comprising a second ply comprising a wet-laid tissue including at least 95% wood pulp fibers and having a density between about 0.5 and 0.04 g/cc, and further wherein said first and second plies are attached to one another.

Claim 15. The packaged wiping product of claim 14 wherein said stack comprises either (i) a roll of individual wiping sheets separated by lines of perforation or (ii) superposed, inter-folded wiping sheets.

15 Claim 16. A personal care absorbent article comprising:

a liquid pervious body-side liner;

a liquid impervious outer cover;

an absorbent core, said absorbent core is located between and said body-side liner and said outer cover; and

20 wherein the absorbent core includes the tissue paper product of claim 1.

Claim 17. The absorbent personal care article of claim 16 wherein the first ply of said tissue paper product has a sheet-like structure having a thickness of between about 5 mm and about 40 mm and a density of between about 0.02 g/cc and about 0.005 g/cc.

25 Claim 18. The absorbent personal care article of claim 17 wherein the absorbent core further includes superabsorbent particles.

Claim 19. A personal care absorbent article comprising:

a liquid pervious body-side liner;

a liquid impervious outer cover;

an absorbent core, said absorbent core is located between and said body-side liner and said outer cover; and

a liquid transfer layer superposed with said absorbent core and located between and said body-side liner and said outer cover; and

5 wherein the liquid transfer layer includes the tissue paper product of claim 1.

Claim 20. The absorbent personal care article of claim 19 wherein the first ply of said tissue paper has a sheet-like structure having a thickness of between about 0.5 and about 5 mm and a density between about 0.02 g/cc and about 0.005 g/cc.

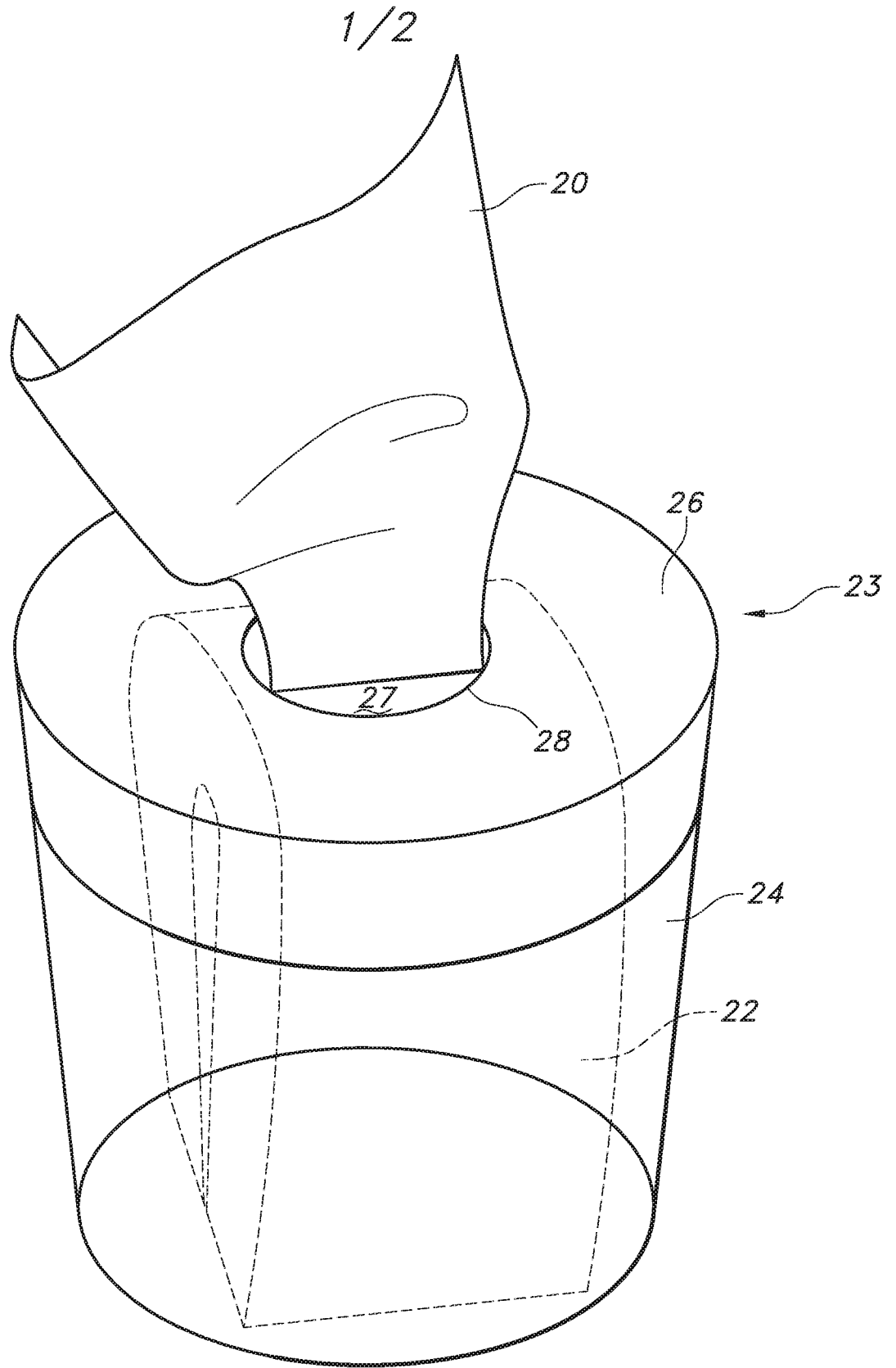


FIG. 1

2/2

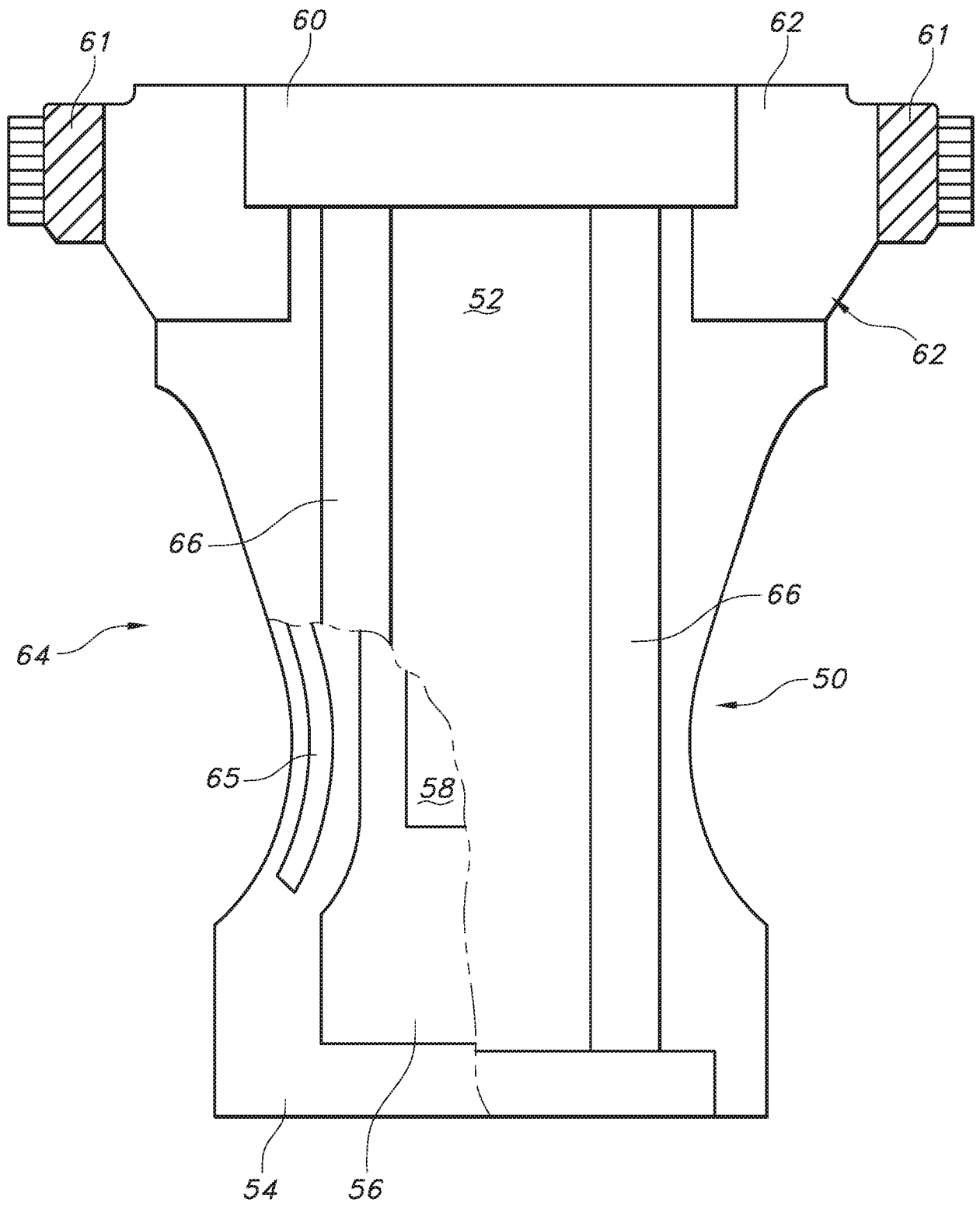


FIG. 2

A. CLASSIFICATION OF SUBJECT MATTER**D21H 11/16(2006.01)i, D21H 21/18(2006.01)i, D21H 27/02(2006.01)i, A61F 13/53(2006.01)i, A47K 10/16(2006.01)i, A47K 10/18(2006.01)i**

According to International Patent Classification (IPC) or to both national classification and IPC

B. FIELDS SEARCHED

Minimum documentation searched (classification system followed by classification symbols)

D21H 11/16; B32B 5/26; D21H 17/09; D21H 27/02; D21H 11/02; D21H 21/16; D21H 19/72; D21H 27/30; D21H 21/18; A61F 13/53; A47K 10/16; A47K 10/18

Documentation searched other than minimum documentation to the extent that such documents are included in the fields searched

Korean utility models and applications for utility models
Japanese utility models and applications for utility models

Electronic data base consulted during the international search (name of data base and, where practicable, search terms used)

eKOMPASS(KIPO internal) & keywords: tissue paper, cellulosic fibers, foaming surfactant, binder fibers

C. DOCUMENTS CONSIDERED TO BE RELEVANT

Category*	Citation of document, with indication, where appropriate, of the relevant passages	Relevant to claim No.
Y	WO 2014-202841 A1 (METSU BOARD OYJ) 24 December 2014 See claims 13, 16; page 4, lines 3-6, page 8, lines 19-31.	1-20
Y	US 2015-0114581 A1 (STORA ENSO OYJ) 30 April 2015 See claims 1, 14; paragraphs [0008], [0061].	1-20
Y	JP 2014-037652 A (MITSUBISHI PAPER MILLS LTD.) 27 February 2014 See paragraph [0042].	3
A	US 5409572 A (KERSHAW, THOMAS N. et al.) 25 April 1995 See claim 1.	1-20
A	US 2015-0096700 A1 (STORA ENSO OYJ) 9 April 2015 See claim 1.	1-20

 Further documents are listed in the continuation of Box C. See patent family annex.

* Special categories of cited documents:

"A" document defining the general state of the art which is not considered to be of particular relevance

"E" earlier application or patent but published on or after the international filing date

"L" document which may throw doubts on priority claim(s) or which is cited to establish the publication date of another citation or other special reason (as specified)

"O" document referring to an oral disclosure, use, exhibition or other means

"P" document published prior to the international filing date but later than the priority date claimed

"T" later document published after the international filing date or priority date and not in conflict with the application but cited to understand the principle or theory underlying the invention

"X" document of particular relevance; the claimed invention cannot be considered novel or cannot be considered to involve an inventive step when the document is taken alone

"Y" document of particular relevance; the claimed invention cannot be considered to involve an inventive step when the document is combined with one or more other such documents, such combination being obvious to a person skilled in the art

"&" document member of the same patent family

Date of the actual completion of the international search

16 February 2017 (16.02.2017)

Date of mailing of the international search report

16 February 2017 (16.02.2017)

Name and mailing address of the ISA/KR

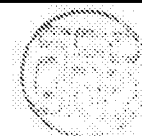
International Application Division
Korean Intellectual Property Office
189 Cheongsa-ro, Seo-gu, Daejeon, 35208, Republic of Korea

Facsimile No. +82-42-481-8578

Authorized officer

LEE, Dong Wook

Telephone No. +82-42-481-8163



INTERNATIONAL SEARCH REPORT

Information on patent family members

International application No.

PCT/US2016/059931

Patent document cited in search report	Publication date	Patent family member(s)	Publication date
WO 2014-202841 A1	24/12/2014	CA 2915969 A1	24/12/2014
		CN 105531422 A	27/04/2016
		EP 3011108 A1	27/04/2016
		FI 20135673 A	21/12/2014
		US 2016-0186383 A1	30/06/2016
US 2015-0114581 A1	30/04/2015	CA 2871554 A1	31/10/2013
		CN 104302834 B	30/11/2016
		EP 2841649 A1	04/03/2015
		EP 2841649 B1	28/12/2016
		FI 124235 B	15/05/2014
		FI 20125462 A	27/10/2013
		JP 2015-514884 A	21/05/2015
		TW 201404972 A	01/02/2014
		US 9334610 B2	10/05/2016
		UY 34768 A	29/11/2013
		WO 2013-160553 A1	31/10/2013
		JP 2014-037652 A	27/02/2014
US 5409572 A	25/04/1995	CA 2059410 A1	16/07/1992
		CA 2059410 C	09/01/2007
		EP 0495637 A1	22/07/1992
		EP 0495637 B1	09/04/1997
US 2015-0096700 A1	09/04/2015	CA 2871555 A1	31/10/2013
		CN 100253598 A	17/05/2000
		CN 104285006 A	14/01/2015
		CN 104285006 B	07/09/2016
		EP 0963463 A2	15/12/1999
		EP 0963463 B1	29/08/2001
		EP 2841651 A1	04/03/2015
		EP 2841651 A4	09/12/2015
		FI 124556 B	15/10/2014
		FI 20125463 A	27/10/2013
		JP 2015-518096 A	25/06/2015
		US 6274021 B1	14/08/2001
		WO 2013-160564 A1	31/10/2013
		WO 98-38356 A2	03/09/1998
WO 98-38356 A3	05/11/1998		