



- (51) **International Patent Classification:**
H01L 31/052 (2006.01) F24J 2/54 (2006.01)
F24J2/38 (2006.01)
- (21) **International Application Number:**
PCT/US20 12/043 159
- (22) **International Filing Date:**
19 June 2012 (19.06.2012)
- (25) **Filing Language:** English
- (26) **Publication Language:** English
- (30) **Priority Data:**
61/503,097 30 June 2011 (30.06.2011) US
13/306,786 29 November 2011 (29.11.2011) US
- (71) **Applicant (for all designated States except US):** QUALCOMM MEMS TECHNOLOGIES, INC. [US/US];
5775 Morehouse Drive, San Diego, California 92121 (US).
- (72) **Inventor; and**
- (75) **Inventor/Applicant for US only:** GIRL Sandeep K. [IN/US]; 2581 Junction Avenue, San Jose, California 95134 (US).
- (74) **Agent:** ABUMERI, Mark M.; Knobbe Martens Olson & Bear LLP, 2040 Main Street, Fourteenth Floor, Irvine, California 92614 (US).
- (81) **Designated States (unless otherwise indicated, for every kind of national protection available):** AE, AG, AL, AM, AO, AT, AU, AZ, BA, BB, BG, BH, BR, BW, BY, BZ, CA, CH, CL, CN, CO, CR, CU, CZ, DE, DK, DM, DO, DZ, EC, EE, EG, ES, FI, GB, GD, GE, GH, GM, GT, HN, HR, HU, ID, IL, IN, IS, JP, KE, KG, KM, KN, KP, KR, KZ, LA, LC, LK, LR, LS, LT, LU, LY, MA, MD, ME, MG, MK, MN, MW, MX, MY, MZ, NA, NG, NI, NO, NZ, OM, PE, PG, PH, PL, PT, QA, RO, RS, RU, RW, SC, SD, SE, SG, SK, SL, SM, ST, SV, SY, TH, TJ, TM, TN, TR, TT, TZ, UA, UG, US, UZ, VC, VN, ZA, ZM, ZW.

[Continued on nextpage]

(54) **Title:** METHOD OF PRODUCING POWER FROM A PHOTOVOLTAIC PANEL

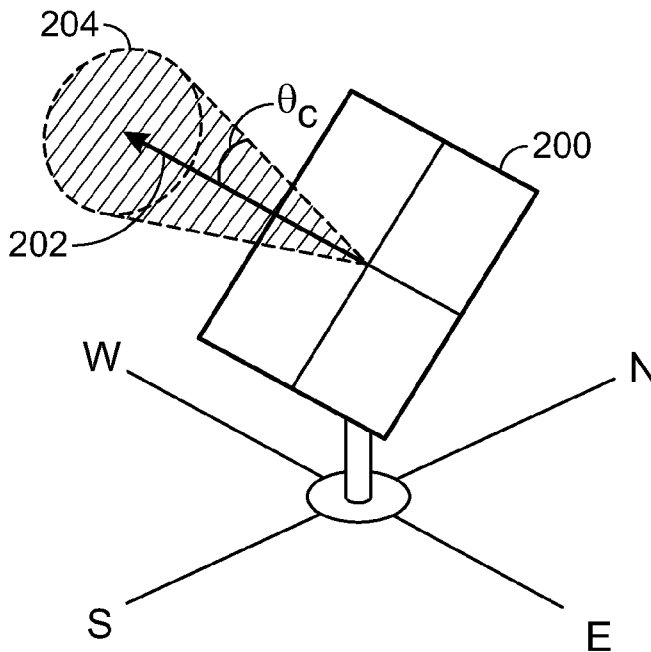


Figure 10A

(57) **Abstract:** This disclosure provides methods and apparatus for increasing the efficiency of a photovoltaic module. In one aspect, the position of a photovoltaic panel (200) is updated throughout the day based on whether the solar angle of incidence on the panel falls within a cone (204) of at least 10° about a normal (202) of the panel (200). The panel (204) remains stationary when the solar angle of incidence falls within the cone (204), but when the solar angle of incidence falls outside the cone (204), the panel (200) is moved so that the solar angle of incidence falls within the cone (204).



(84) **Designated States** (unless otherwise indicated, for every kind of regional protection available): ARIPO (BW, GH, GM, KE, LR, LS, MW, ML, NA, RW, SD, SL, SZ, TZ, UG, ZM, ZW), Eurasian (AM, AZ, BY, KG, KZ, RU, TJ, TM), European (AL, AT, BE, BG, CH, CY, CZ, DE, DK, EE, ES, FI, FR, GB, GR, HR, HU, IE, IS, IT, LT, LU, LV, MC, MK, MT, NL, NO, PL, PT, RO, RS, SE, SI, SK, SM, TR), OAPI (BF, BJ, CF, CG, CI, CM, GA, GN, GQ, GW, ML, MR, NE, SN, TD, TG).

Published:

- with international search report (Art. 21(3))
- before the expiration of the time limit for amending the claims and to be republished in the event of receipt of amendments (Rule 48.2(h))

(88) Date of publication of the international search report:

27 June 2013

INTERNATIONAL SEARCH REPORT

International application No
PCT/US2012/043159

A. CLASSIFICATION OF SUBJECT MATTER
 INV. H01L31/052 F24J2/38 F24J2/54
 ADD.
 According to International Patent Classification (IPC) or to both national classification and IPC

B. FIELDS SEARCHED
 Minimum documentation searched (classification system followed by classification symbols)
 H01L F24J

Documentation searched other than minimum documentation to the extent that such documents are included in the fields searched

Electronic data base consulted during the international search (name of data base and, where practicable, search terms used)
 EPO-Internal , WPI Data, PAJ

C. DOCUMENTS CONSIDERED TO BE RELEVANT

Category*	Citation of document, with indication, where appropriate, of the relevant passages	Relevant to claim No.
X	DE 10 2009 013113 AI (FRAUNHOFER GES FORSCHUNG [DE]) 23 September 2010 (2010-09-23)	1-13 , 19 , 27 , 28
Y	paragraph [0035] ; figure 2 paragraphs [0041] , [0042] ; figures 3A-D paragraphs [0067] , [0068] , [0072] -----	14-18, 20-26
Y	DE 102 38 202 AI (DEUTSCH ZENTR LUFT & RAUMFAHRT [DE]) 18 March 2004 (2004-03-18) paragraph [0014] -----	14-18
Y	W0 2010/008584 A2 (SOPOGY INC [US] ; NAKASATO KEI ICHI [US] ; DOPP KI P H [US] ; FORESTER JOHN) 21 January 2010 (2010-01-21) claim 4; figures -----	20-26
	-/- .	

Further documents are listed in the continuation of Box C.

See patent family annex.

* Special categories of cited documents :

<p>"A" document defining the general state of the art which is not considered to be of particular relevance</p> <p>"E" earlier application or patent but published on or after the international filing date</p> <p>"L" document which may throw doubts on priority claim(s) or which is cited to establish the publication date of another citation or other special reason (as specified)</p> <p>"O" document referring to an oral disclosure, use, exhibition or other means</p> <p>"P" document published prior to the international filing date but later than the priority date claimed</p>	<p>"T" later document published after the international filing date or priority date and not in conflict with the application but cited to understand the principle or theory underlying the invention</p> <p>"X" document of particular relevance; the claimed invention cannot be considered novel or cannot be considered to involve an inventive step when the document is taken alone</p> <p>"Y" document of particular relevance; the claimed invention cannot be considered to involve an inventive step when the document is combined with one or more other such documents, such combination being obvious to a person skilled in the art</p> <p>"&" document member of the same patent family</p>
---	---

Date of the actual completion of the international search 8 May 2013	Date of mailing of the international search report 15/05/2013
---	--

Name and mailing address of the ISA/ European Patent Office, P.B. 5818 Patentlaan 2 NL - 2280 HV Rijswijk Tel. (+31-70) 340-2040, Fax: (+31-70) 340-3016	Authorized officer Mootz , Frank
--	---

INTERNATIONAL SEARCH REPORT

International application No

PCT/US2012/043159

C(Continuation). DOCUMENTS CONSIDERED TO BE RELEVANT		
Category*	Citation of document, with indication, where appropriate, of the relevant passages	Relevant to claim No.
X	US 2009/277496 A1 (KHAZENI KASRA [US] ET AL) 12 November 2009 (2009-11-12) paragraphs [0094], [0139]; figures -----	1-13,19, 27,28
X	US 5 632 823 A (SHARAN ANAND M [CA]) 27 May 1997 (1997-05-27) column 3, line 5 - line 19; claims 5,13 -----	1-3, 7-13,19
A	US 4 068 653 A (BOURDON LEO ET AL) 17 January 1978 (1978-01-17) column 7, line 67 - column 8, line 18; figures -----	1-28

INTERNATIONAL SEARCH REPORT

Information on patent family members

International application No PCT/US2012/043159
--

Patent document cited in search report		Publication date		Patent family member(s)		Publication date
DE 102009013113	AI	23-09-2010	CN	102422239 A		18-04-2012
			DE	102009013113 AI		23-09-2010
			EP	2406694 A2		18-01-2012
			ES	2398635 T3		20-03-2013
			US	2012037209 AI		16-02-2012
			Wo	2010103090 A2		16-09-2010
DE 10238202	AI	18-03 -2004	NONE			
Wo 2010008584	A2	21-01 -2010	AU	2009271609 AI		21-01 -2010
			EP	2318775 A2		11-05 -2011
			MA	32567 BI		01-08 -2011
			US	2011308512 AI		22-12 -2011
			wo	2010008584 A2		21-01 -2010
US 2009277496	AI	12-11 -2009	US	2009277496 AI		12-11 -2009
			US	2012103394 AI		03-05 -2012
			wo	2009137816 A2		12-11 -2009
US 5632823	A	27-05 -1997	CA	2192245 AI		30-07 -1997
			US	5632823 A		27-05 -1997
US 4068653	A	17-01 -1978	NONE			