



US00D784977S

(12) **United States Design Patent**  
**Ormsbee et al.**

(10) **Patent No.:** **US D784,977 S**

(45) **Date of Patent:** **\*\* Apr. 25, 2017**

(54) **ADJUSTABLE MOBILE DEVICE MOUNT**

(71) Applicant: **Nite Ize, Inc.**, Boulder, CO (US)

(72) Inventors: **Bowden Ormsbee**, Longmont, CO (US); **Rex W. Stevens**, Longmont, CO (US)

(73) Assignee: **Nite Ize, Inc.**, Boulder, CO (US)

(\*\*) Term: **15 Years**

(21) Appl. No.: **29/561,609**

(22) Filed: **Apr. 18, 2016**

(51) **LOC (10) Cl.** ..... **14-03**

(52) **U.S. Cl.**

USPC ..... **D14/253**

(58) **Field of Classification Search**

USPC ..... D14/253, 251, 252, 447, 451, 452, 440, D14/434, 458, 432, 439, 457, 460, 238.1, D14/140, 142, 149, 217, 148, 140.8, D14/140.11, 209.1, 151, 140.9; D13/107, D13/108; D12/415, 223, 114; D3/218; D16/242-245, 250, 237, 203, 214, 219; D6/675, 672, 673, 675.4, 553, 676, 310  
CPC ..... B60R 2011/0008; B60R 11/02; B60R 11/0241; B60R 11/0258; B60R 11/0252; B60R 2011/0294; F16M 11/00; F16M 11/04; F16M 11/041; F16M 11/02; F16M 11/06; H04M 1/02; A47F 7/022; B62J 11/00

See application file for complete search history.

(56) **References Cited**

**U.S. PATENT DOCUMENTS**

D685,804 S \* 7/2013 Richter ..... D14/253  
D690,707 S \* 10/2013 Minn ..... D14/447

D711,867 S \* 8/2014 Harris ..... D14/253  
D712,394 S \* 9/2014 Booth ..... D14/253  
D716,215 S \* 10/2014 Dunn ..... D12/415  
D720,759 S \* 1/2015 Deng ..... D14/447  
D727,333 S \* 4/2015 Shih ..... D14/447  
D742,387 S \* 11/2015 Xiang ..... D14/447  
D744,473 S \* 12/2015 Tsai ..... D14/251  
D772,859 S \* 11/2016 Alesi ..... D14/253  
2005/0236536 A1 \* 10/2005 Fan ..... B60R 11/02  
248/176.3

\* cited by examiner

*Primary Examiner* — Susan Bennett Hattan

*Assistant Examiner* — Janice Hallmark

(74) *Attorney, Agent, or Firm* — Haynes and Boone, LLP

(57) **CLAIM**

The ornamental design for an adjustable mobile device mount, as shown and described.

**DESCRIPTION**

FIG. 1 is a front perspective view of the adjustable mobile device mount;

FIG. 2 is a back perspective view of the adjustable mobile device mount of FIG. 1;

FIG. 3 is a front view of the adjustable mobile device mount of FIG. 1;

FIG. 4 is a back view of the adjustable mobile device mount of FIG. 1;

FIG. 5 is a top view of the adjustable mobile device mount of FIG. 1;

FIG. 6 is a bottom view of the adjustable mobile device mount of FIG. 1;

FIG. 7 is a right side view of the adjustable mobile device mount of FIG. 1; and,

FIG. 8 is a left side view of the adjustable mobile device mount of FIG. 1.

**1 Claim, 7 Drawing Sheets**

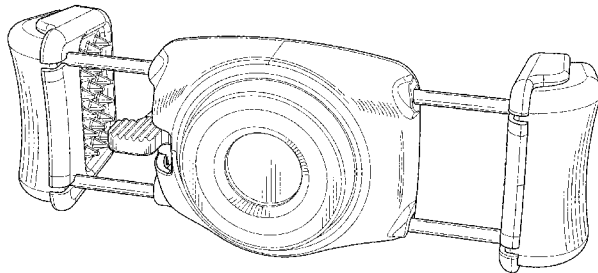
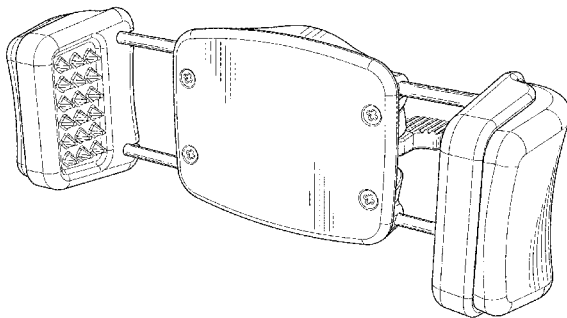


FIG. 1

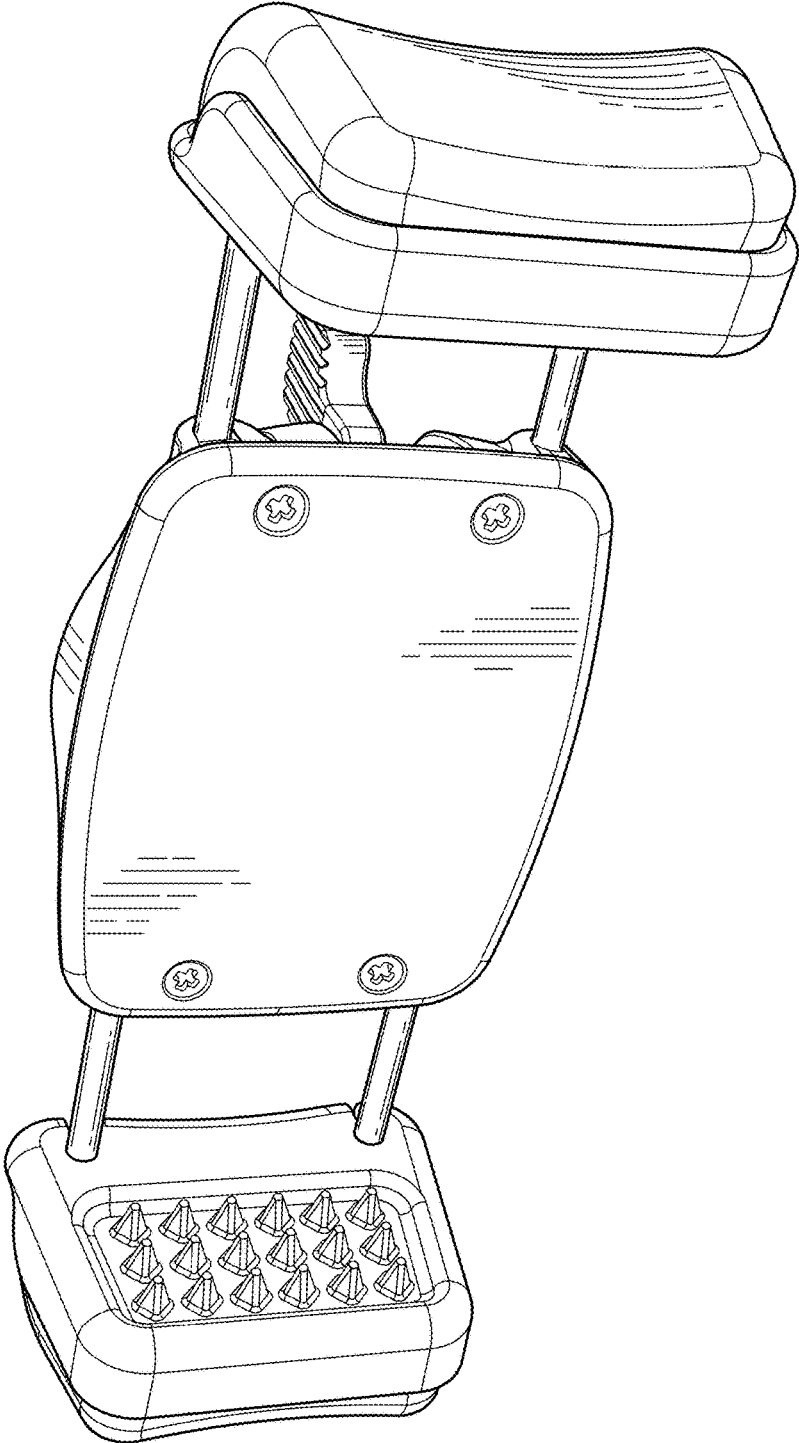


FIG. 2

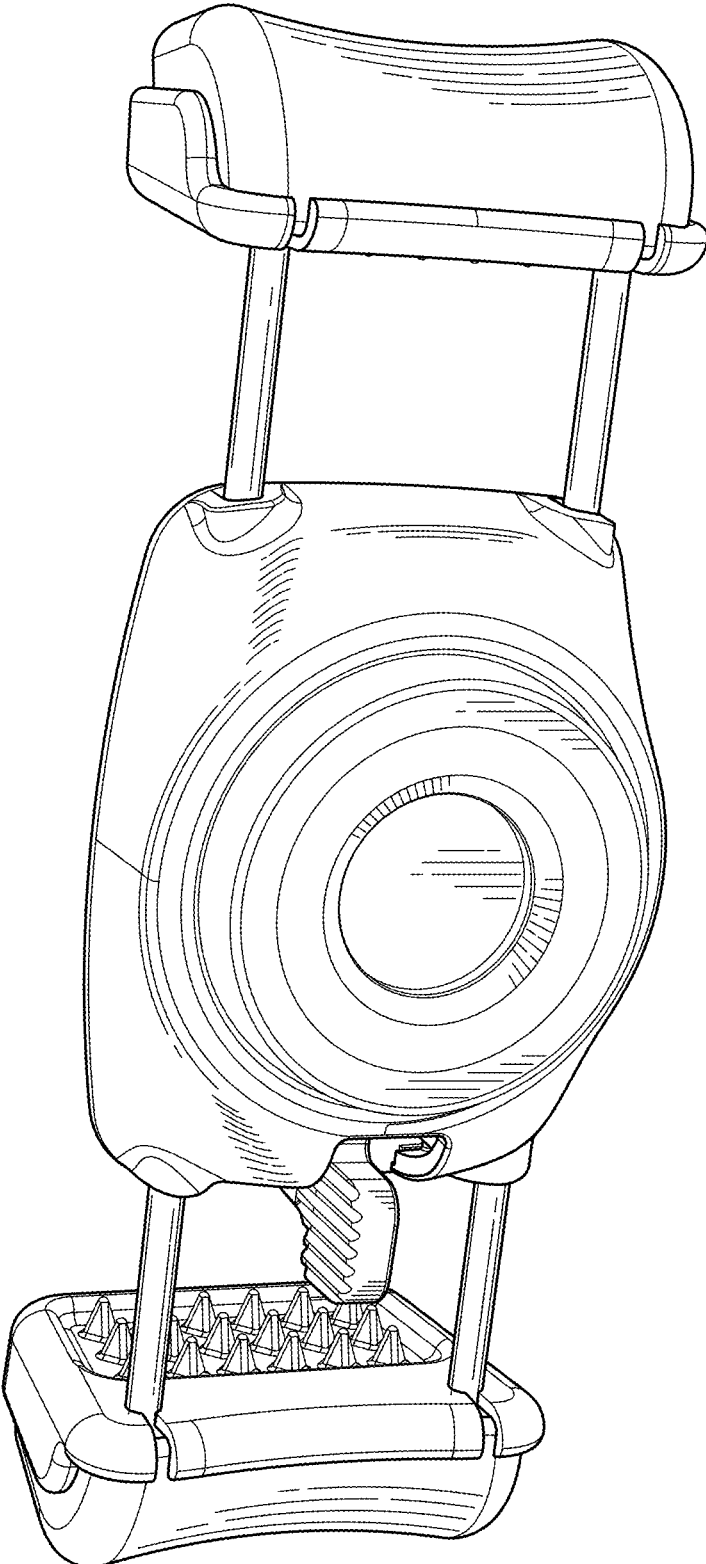


FIG. 3

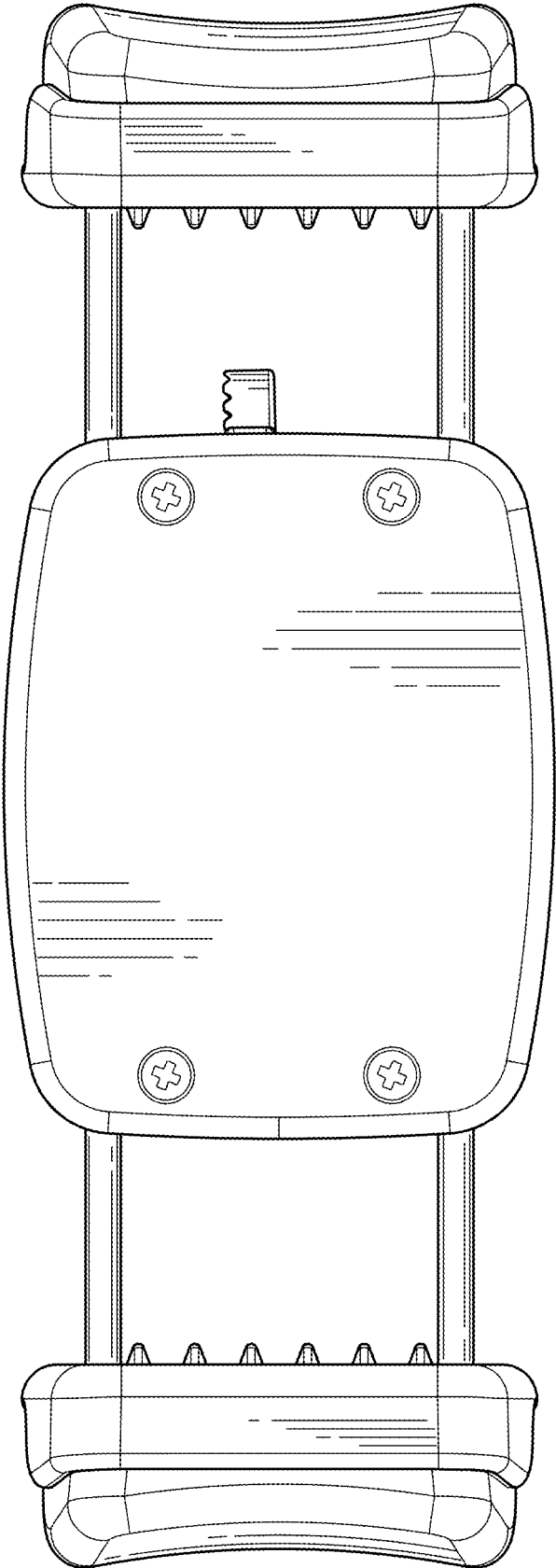


FIG. 4

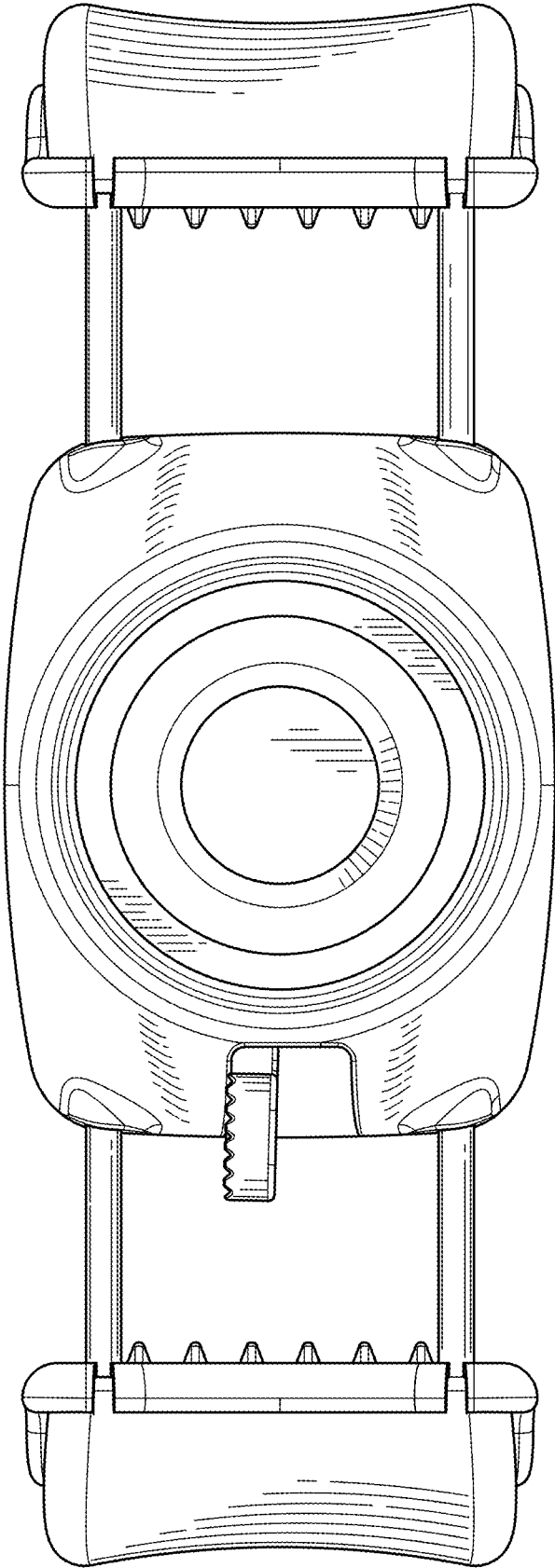


FIG. 5

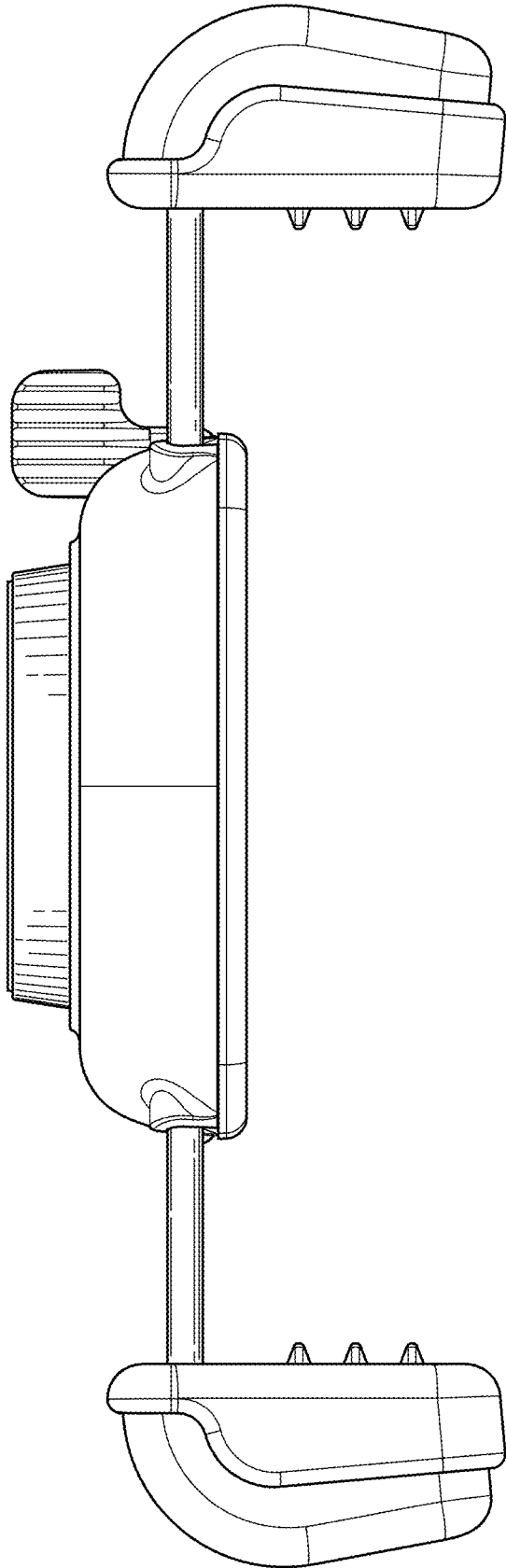
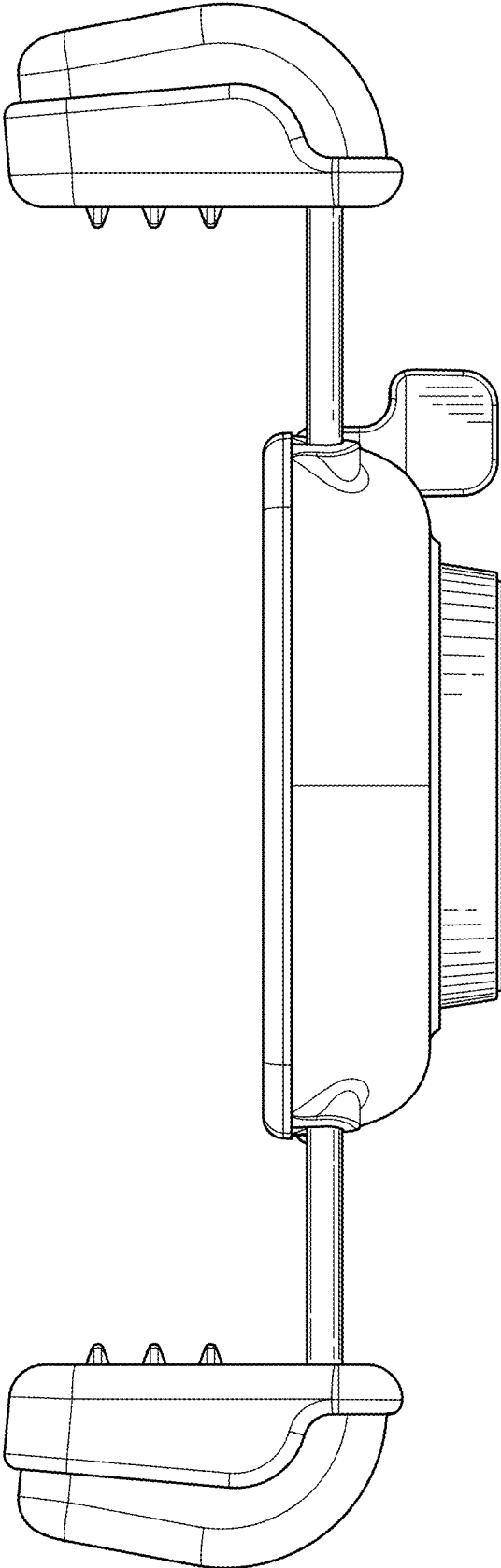
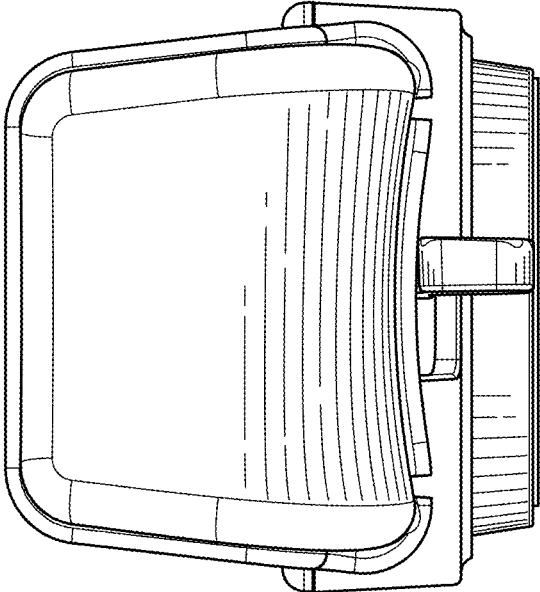


FIG. 6



**FIG. 7**



**FIG. 8**

