

(19) World Intellectual Property Organization  
International Bureau



(43) International Publication Date  
10 April 2003 (10.04.2003)

PCT

(10) International Publication Number  
**WO 03/028535 A3**

(51) International Patent Classification<sup>7</sup>: **A61B 17/04**

(21) International Application Number: PCT/US02/31142

(22) International Filing Date: 1 October 2002 (01.10.2002)

(25) Filing Language: English

(26) Publication Language: English

(30) Priority Data:  
60/326,293 1 October 2001 (01.10.2001) US

(71) Applicant: **SCANDIUS BIOMEDICAL, INC.** [US/US];  
Suite 175, 550 Newton Road, Littleton, MA 014760 (US).

(72) Inventors: **RE, Paul**; 38 Robbins Road, Lexington, MA 02421 (US). **JOHANSON, Mark, A.**; 5 Harvest Lane, Littleton, MA 01460 (US). **MARSHALL, Peter, F.**; 1842 Shirley Road, Lancaster, MA 01523 (US).

(74) Agent: **PANDISCIO, Mark, J.**; Pandiscio & Pandiscio, 470 Totten Pond Road, Waltham, MA 02451-1914 (US).

(81) Designated States (*national*): AE, AG, AL, AM, AT, AU, AZ, BA, BB, BG, BR, BY, BZ, CA, CH, CN, CO, CR, CU, CZ, DE, DK, DM, DZ, EC, EE, ES, FI, GB, GD, GE, GH, GM, HR, HU, ID, IL, IN, IS, JP, KE, KG, KP, KR, KZ, LC, LK, LR, LS, LT, LU, LV, MA, MD, MG, MK, MN, MW, MX, MZ, NO, NZ, PL, PT, RO, RU, SD, SE, SG, SI, SK, SL, TJ, TM, TR, TT, TZ, UA, UG, UZ, VN, YU, ZA, ZW.

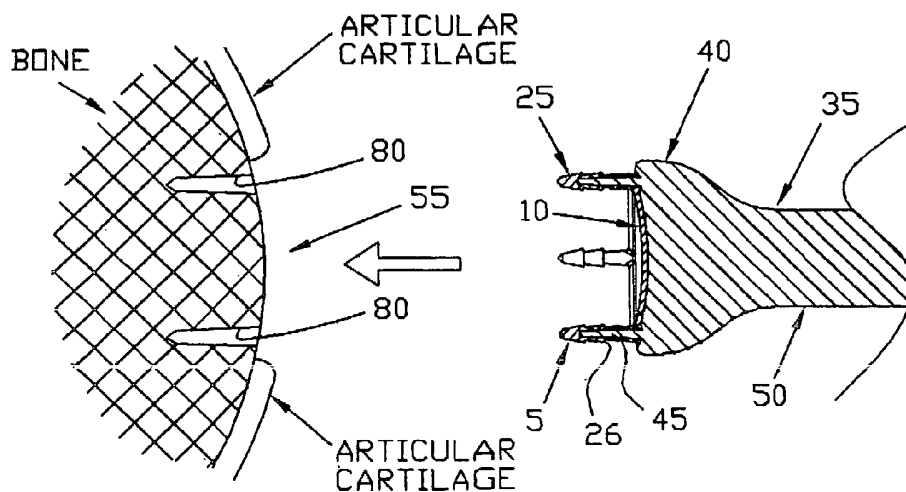
(84) Designated States (*regional*): ARIPO patent (GH, GM, KE, LS, MW, MZ, SD, SL, SZ, TZ, UG, ZM, ZW), Eurasian patent (AM, AZ, BY, KG, KZ, MD, RU, TJ, TM), European patent (AT, BE, BG, CH, CY, CZ, DE, DK, EE, ES, FI, FR, GB, GR, IE, IT, LU, MC, NL, PT, SE, SK, TR), OAPI patent (BF, BJ, CF, CG, CI, CM, GA, GN, GQ, GW, ML, MR, NE, SN, TD, TG).

**Published:**  
— with international search report

(88) Date of publication of the international search report:  
20 November 2003

*For two-letter codes and other abbreviations, refer to the "Guidance Notes on Codes and Abbreviations" appearing at the beginning of each regular issue of the PCT Gazette.*

(54) Title: APPARATUS AND METHOD FOR THE REPAIR OF ARTICULAR CARTILAGE DEFECTS



(57) Abstract: An encapsulation device (5) for repair of articular cartilage defects includes a body for disposition adjacent a bone in an area of the cartilage defect (55), and elongated leg structure (25) extending from the body and for disposition in the bone in the area of the cartilage defect. The leg structure is provided with a length which is a plurality of magnitudes greater than a thickness of the body, and is of a generally conical configuration.



WO 03/028535 A3

INTERNATIONAL SEARCH REPORT

International application No.  
PCT/US02/31142

**A. CLASSIFICATION OF SUBJECT MATTER**

IPC(7) :A61B 17/04

US CL :606/72, 75, 104, 219

According to International Patent Classification (IPC) or to both national classification and IPC

**B. FIELDS SEARCHED**

Minimum documentation searched (classification system followed by classification symbols)

U.S. : 606/72, 75, 104, 219

Documentation searched other than minimum documentation to the extent that such documents are included in the fields searched

Electronic data base consulted during the international search (name of data base and, where practicable, search terms used)

EAST

bone, anchor, encapsulation & mesh

**C. DOCUMENTS CONSIDERED TO BE RELEVANT**

Category*	Citation of document, with indication, where appropriate, of the relevant passages	Relevant to claim No.
X	US 6,179,840 B1 (BOWMAN) 30 January 2001, col. 3, lines 17-65 and col. 4, lines 1-10.1	1, 3, 4, 16, 18, 19 and 20N
X	US 4,976,715 A (BAYS et al) 11 December 1990, cols. 4-6.	1-4 and 18-20
A	US 4,548,202 A (DUNCAN) 22 October 1985, see entire document.	1-20
A	US 4,060,089 A (NOILES) 29 November 1977.	

Further documents are listed in the continuation of Box C.  See patent family annex.

* Special categories of cited documents:	"T"	later document published after the international filing date or priority date and not in conflict with the application but cited to understand the principle or theory underlying the invention
"A" document defining the general state of the art which is not considered to be of particular relevance	"X"	document of particular relevance; the claimed invention cannot be considered novel or cannot be considered to involve an inventive step when the document is taken alone
"E" earlier document published on or after the international filing date	"Y"	document of particular relevance; the claimed invention cannot be considered to involve an inventive step when the document is combined with one or more other such documents, such combination being obvious to a person skilled in the art
"L" document which may throw doubts on priority claim(s) or which is cited to establish the publication date of another citation or other special reason (as specified)	"&"	document member of the same patent family
"O" document referring to an oral disclosure, use, exhibition or other means		
"P" document published prior to the international filing date but later than the priority date claimed		

Date of the actual completion of the international search

10 JANUARY 2003

Date of mailing of the international search report

15 MAY 2003

Name and mailing address of the ISA/US  
Commissioner of Patents and Trademarks  
Box PCT  
Washington, D.C. 20231

Facsimile No. (703) 305-3230

Authorized officer

Gary Jackson *Diane Smith*

Telephone No. (703) 308-0857