

(12) INTERNATIONAL APPLICATION PUBLISHED UNDER THE PATENT COOPERATION TREATY (PCT)

(19) World Intellectual Property Organization
International Bureau



(43) International Publication Date
10 October 2002 (10.10.2002)

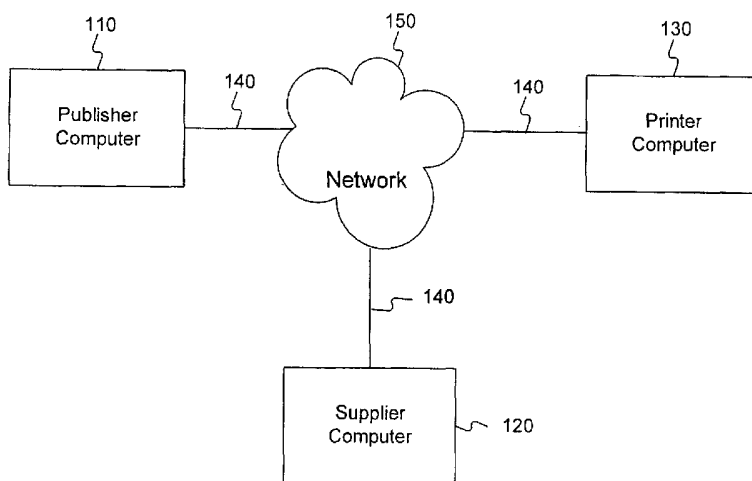
PCT

(10) International Publication Number
WO 02/079948 A3

- (51) International Patent Classification⁷: G06F 17/60
 - (21) International Application Number: PCT/US02/09871
 - (22) International Filing Date: 2 April 2002 (02.04.2002)
 - (25) Filing Language: English
 - (26) Publication Language: English
 - (30) Priority Data: 60/280,108 2 April 2001 (02.04.2001) US
 - (71) Applicants and
 - (72) Inventors: REID, Paul [US/US]; 421 Hudson Street, Apt. 415, New York, NY 10014 (US). TURRY, Helene [US/US]; 7901 Fourth Avenue, Apt. E14, Brooklyn, NY 11209 (US). LAMORETTI, Katherine [US/US]; 46 Nassau Lane, Island Park, NY 11558 (US). ORNSTEIN, Henry [US/US]; 8855 Bay Parkway, Brooklyn, NY 11214 (US). MISIUKIEWICZ, Leon [US/US]; 34 Overhill Road, Summit, NY 07901 (US).
 - (74) Agents: GARRETT, Arthur, S. ; et al.; Finnegan, Henderson, Farabow, Garrett & Dunner; L., L.P., 1300 I Street, N.W., Washington, DC 20005-3315 (US).
 - (81) Designated States (national): AE, AG, AL, AM, AT, AU, AZ, BA, BB, BG, BR, BY, BZ, CA, CH, CN, CO, CR, CU, CZ, DE, DK, DM, DZ, EC, EE, ES, FI, GB, GD, GE, GH, GM, HR, HU, ID, IL, IN, IS, JP, KE, KG, KP, KR, KZ, LC, LK, LR, LS, LT, LU, LV, MA, MD, MG, MK, MN, MW, MX, MZ, NO, NZ, OM, PH, PL, PT, RO, RU, SD, SE, SG, SI, SK, SL, TJ, TM, TN, TR, TT, TZ, UA, UG, US, UZ, VN, YU, ZA, ZM, ZW.
 - (84) Designated States (regional): ARIPO patent (GH, GM, KE, LS, MW, MZ, SD, SL, SZ, TZ, UG, ZM, ZW), Eurasian patent (AM, AZ, BY, KG, KZ, MD, RU, TJ, TM), European patent (AT, BE, CH, CY, DE, DK, ES, FI, FR, GB, GR, IE, IT, LU, MC, NL, PT, SE, TR), OAPI patent (BF, BJ, CF, CG, CI, CM, GA, GN, GQ, GW, ML, MR, NE, SN, TD, TG).
- Published:**
— with international search report

[Continued on next page]

(54) Title: PURCHASING AND INVENTORY OF PAPER AND EXTENDED MEDIA PRODUCTS



100

(57) Abstract: A system and method in a network-based inventory management system (150) for providing information concerning inventory amounts and inventory ordering to at least one computer. In operation, a server first receives an inventory amount of an item from a first plurality of clients (310,320). Next, the server receives an inventory amount of the item from a second plurality of clients. Once the server has the two amounts, it analyzes the inventories (420) at said first and second plurality of computers to determine from which of the first plurality of computers to order the item and to which of the second plurality of computers the ordered item is to be transferred.



WO 02/079948 A3



(88) Date of publication of the international search report:
21 August 2003

For two-letter codes and other abbreviations, refer to the "Guidance Notes on Codes and Abbreviations" appearing at the beginning of each regular issue of the PCT Gazette.

INTERNATIONAL SEARCH REPORT

International application No.

PCT/US02/09871

A. CLASSIFICATION OF SUBJECT MATTER
 IPC(7) : G06F 17/60
 US CL : 705/22
 According to International Patent Classification (IPC) or to both national classification and IPC

B. FIELDS SEARCHED
 Minimum documentation searched (classification system followed by classification symbols)
 U.S. : 705/1,8,22,28

Documentation searched other than minimum documentation to the extent that such documents are included in the fields searched

Electronic data base consulted during the international search (name of data base and, where practicable, search terms used)
 Inventory management, procurement, information, management, system.

C. DOCUMENTS CONSIDERED TO BE RELEVANT

Category *	Citation of document, with indication, where appropriate, of the relevant passages	Relevant to claim No.
Y	US 5,953,707 A (HUANG et al) 14 September 1999 (14.09.1999), see abstract, drawings and claims.	1-22
Y	US 6,151,582 A (HUANG et al) 21 November 2000 (21.11.2000), see abstract, drawings and claims.	1-22
Y,E	US 6,401,076 B1 (HALL et al) 04 June 2002 (04.06.2002), see entire document.	1-22
Y,E	US 2002/0046125 A1 (SPEICHER et al) 18 April 2002 (18.04.2002), see entire document.	1-22
Y,E	US 2002/0072986 A1 (ARAM) 13 June 2002 (13.06.2002), see entire document.	1-22

Further documents are listed in the continuation of Box C. See patent family annex.

* Special categories of cited documents:	"T" later document published after the international filing date or priority date and not in conflict with the application but cited to understand the principle or theory underlying the invention
"A" document defining the general state of the art which is not considered to be of particular relevance	"X" document of particular relevance; the claimed invention cannot be considered novel or cannot be considered to involve an inventive step when the document is taken alone
"E" earlier application or patent published on or after the international filing date	"Y" document of particular relevance; the claimed invention cannot be considered to involve an inventive step when the document is combined with one or more other such documents, such combination being obvious to a person skilled in the art
"L" document which may throw doubts on priority claim(s) or which is cited to establish the publication date of another citation or other special reason (as specified)	"&" document member of the same patent family
"O" document referring to an oral disclosure, use, exhibition or other means	
"P" document published prior to the international filing date but later than the priority date claimed	

Date of the actual completion of the international search 03 September 2002 (03.09.2002)	Date of mailing of the international search report 05 MAR 2003
---	--

Name and mailing address of the ISA/US Commissioner of Patents and Trademarks Box PCT Washington, D.C. 20231 Facsimile No. (703)305-3230	Authorized officer Emanuel T. Voeltz <i>Diane Smith</i> Telephone No. 703-305-3900
--	--

INTERNATIONAL SEARCH REPORT

C. (Continuation) DOCUMENTS CONSIDERED TO BE RELEVANT

Category *	Citation of document, with indication, where appropriate, of the relevant passages	Relevant to claim No.
Y,E	US 2002/0107753 A1 (LAUGHLIN et al) 08 August 2002 (08.08.2002), see entire document.	1-22