



US00D486259S

(12) **United States Design Patent** (10) **Patent No.:** **US D486,259 S**
Crawford et al. (45) **Date of Patent:** **** Feb. 3, 2004**

(54) **CAMERA LIGHT**

(75) Inventors: **James J. Crawford**, Ringwood, NJ (US); **Kevin Crawford**, Glen Rock, NJ (US)

(73) Assignee: **Frezzolini Electronics Inc.**, Hawthorne, NJ (US)

(**) Term: **14 Years**

(21) Appl. No.: **29/178,687**

(22) Filed: **Mar. 28, 2003**

(51) **LOC (7) Cl.** **26-05**

(52) **U.S. Cl.** **D26/51; D26/46**

(58) **Field of Search** **D26/37-51; 362/157, 362/158, 171, 172, 173, 183-208**

(56) **References Cited**

U.S. PATENT DOCUMENTS

D425,229 S * 5/2000 Poon D26/46
D425,643 S * 5/2000 Jigamian et al. D26/46

* cited by examiner

Primary Examiner—Marcus A. Jackson
(74) *Attorney, Agent, or Firm*—Darby & Darby

(57) **CLAIM**

The ornamental design for a camera light, as shown and described.

DESCRIPTION

FIG. 1 is a perspective view, as viewed from the front, of a camera light, showing our new design; FIG. 2 is a perspective view thereof, as viewed from the rear; FIG. 3 is a front elevational view thereof; FIG. 4 is a rear elevational view thereof; FIG. 5 is a right side elevational view thereof; FIG. 6 is a left side elevational view thereof; FIG. 7 is a top plan view thereof; FIG. 8 is a bottom plan view thereof; FIG. 9 is a rear elevational view of a modified embodiment of our camera light; FIG. 10 is a perspective view thereof, as viewed from the rear; and, FIG. 11 is a right side elevational view thereof. The portions shown in dotted line do not form part of the present design.

1 Claim, 9 Drawing Sheets

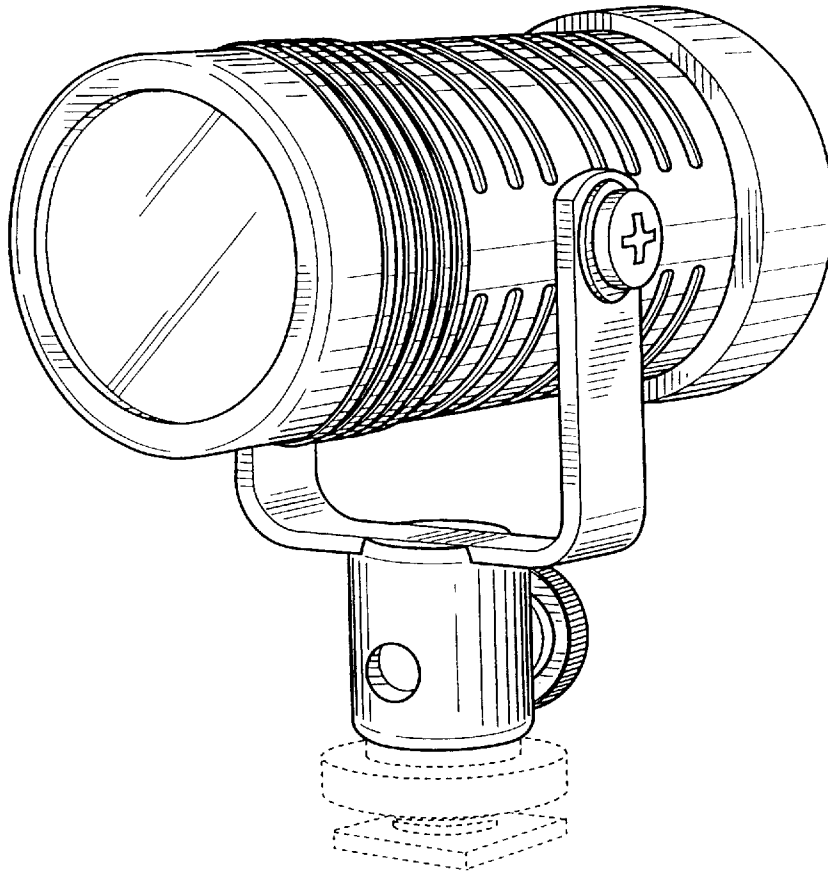


FIG. 1

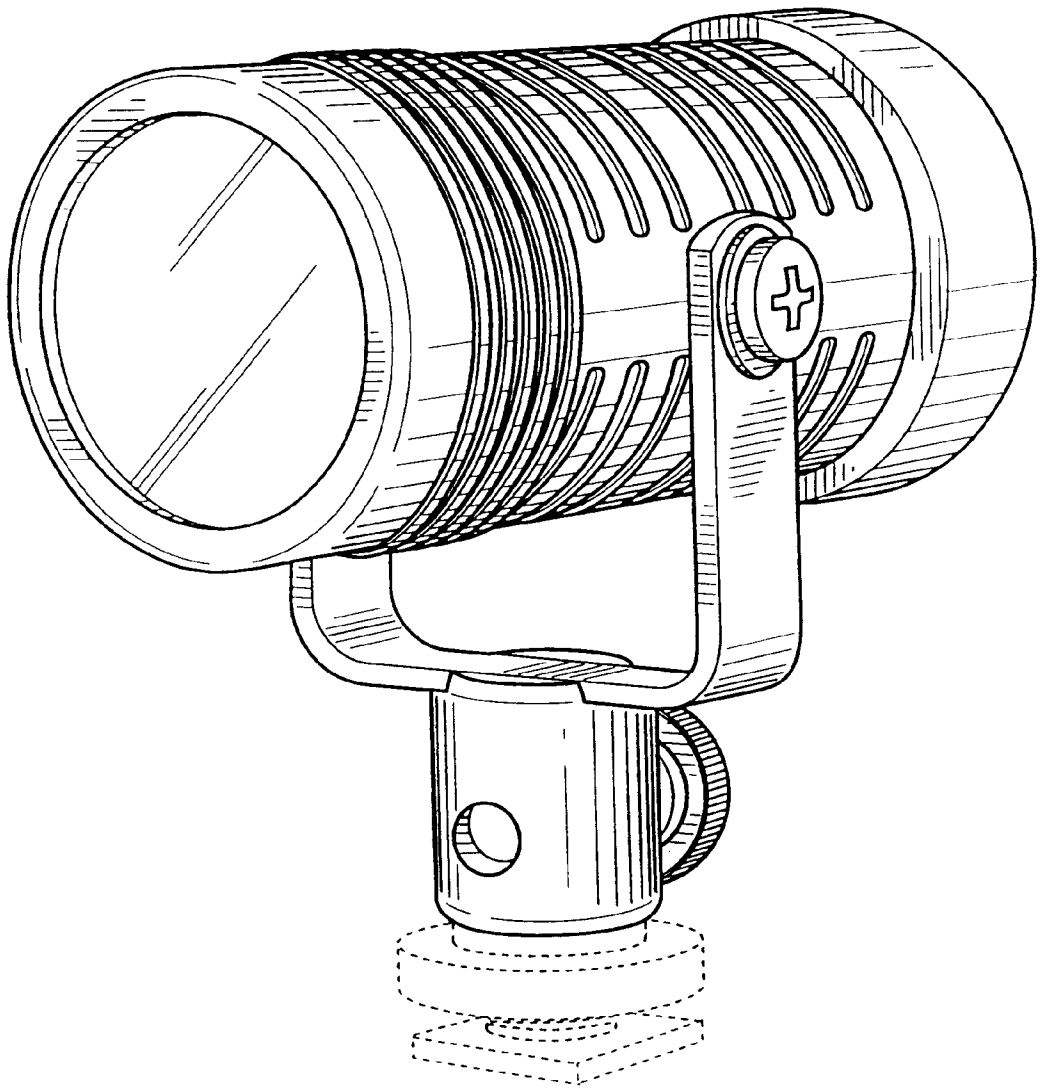


FIG. 2

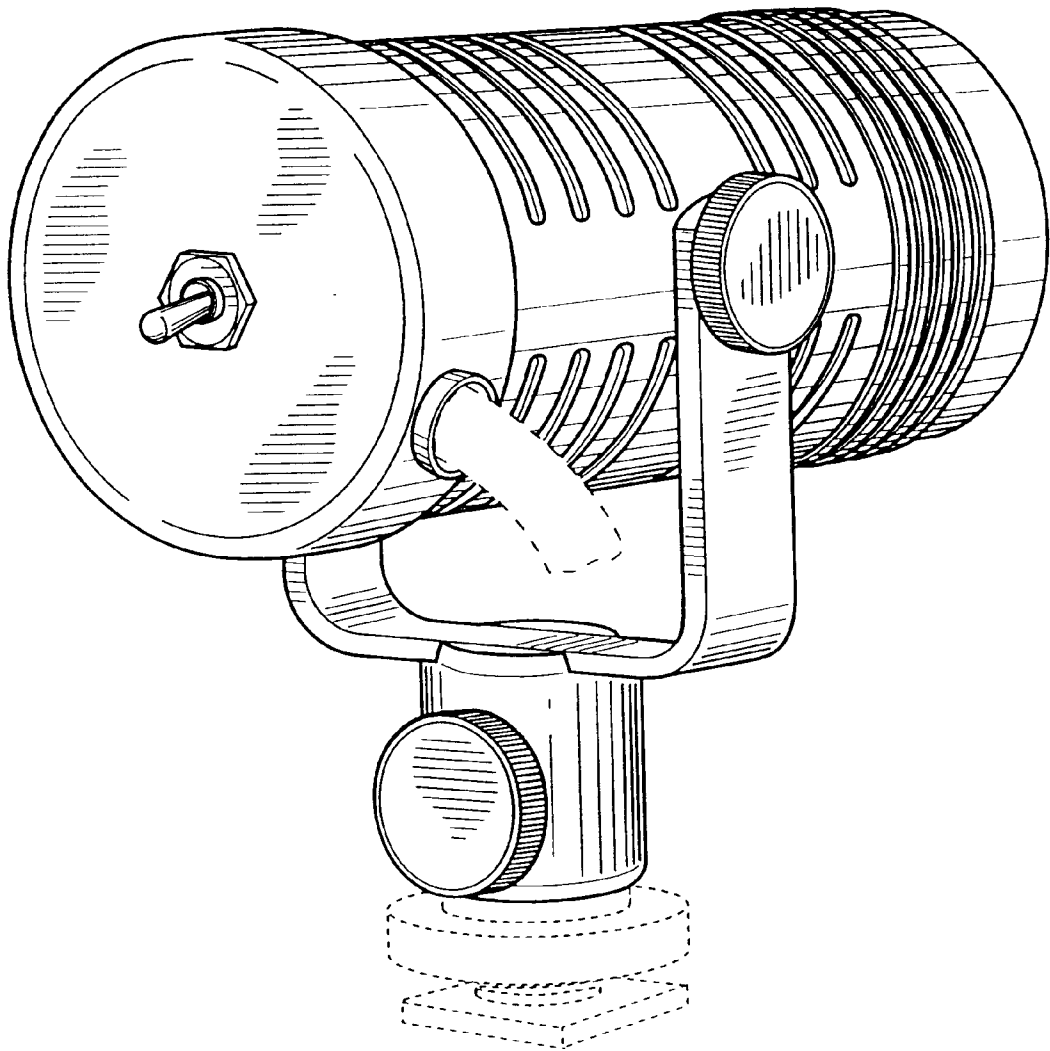


FIG. 4

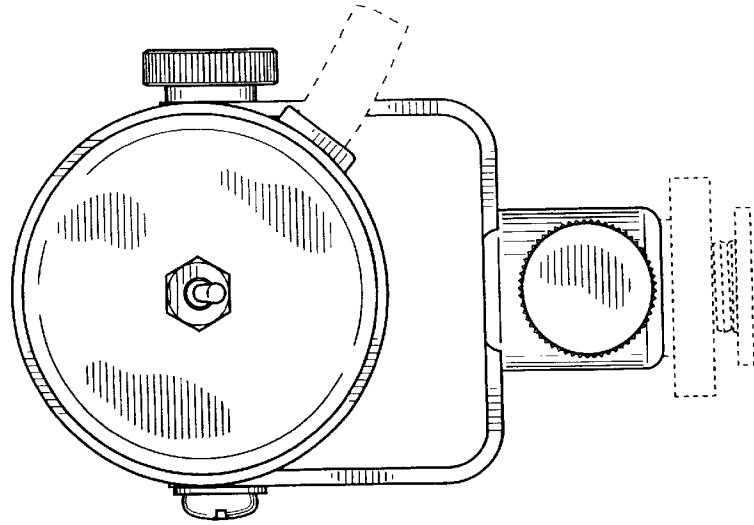


FIG. 3

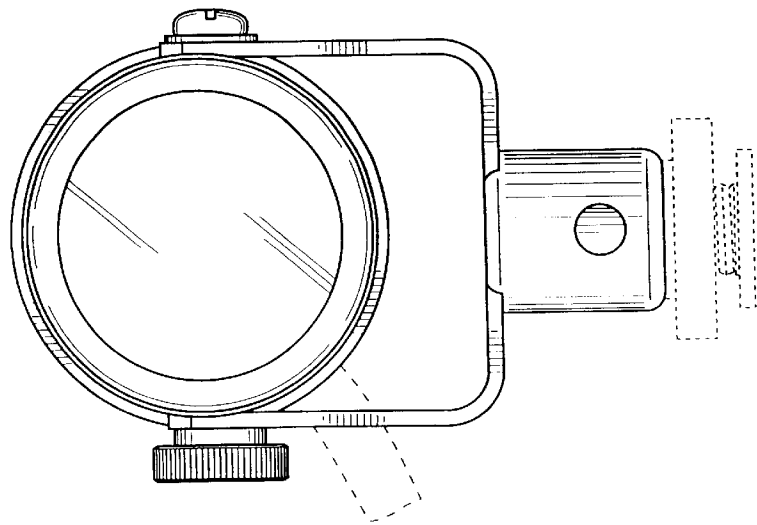


FIG. 5

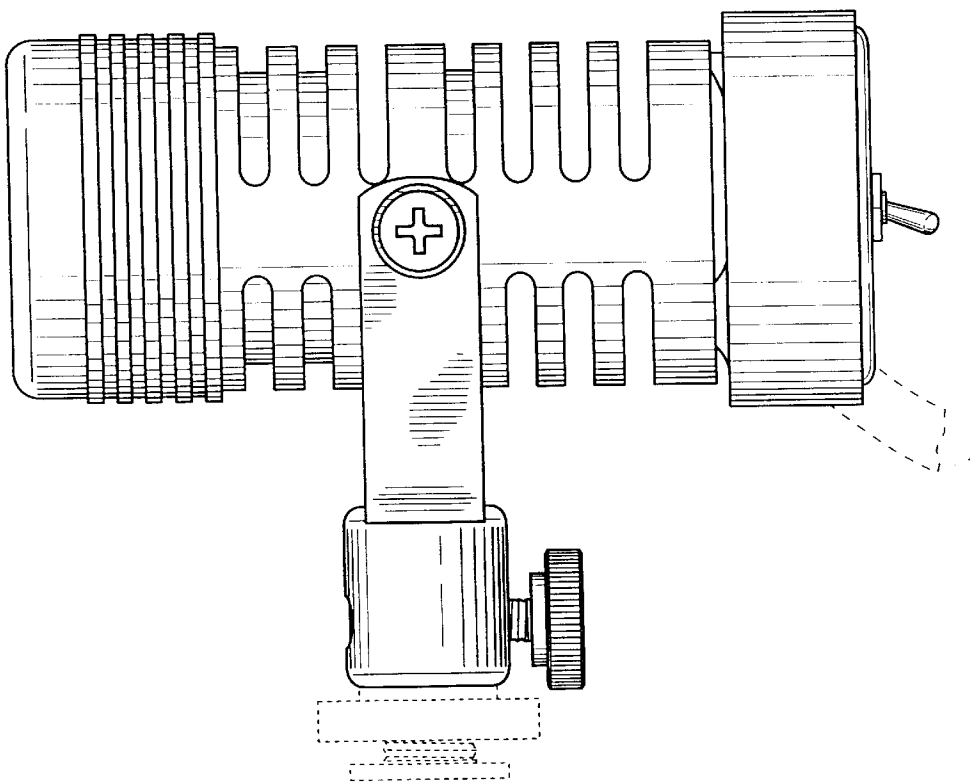


FIG. 6

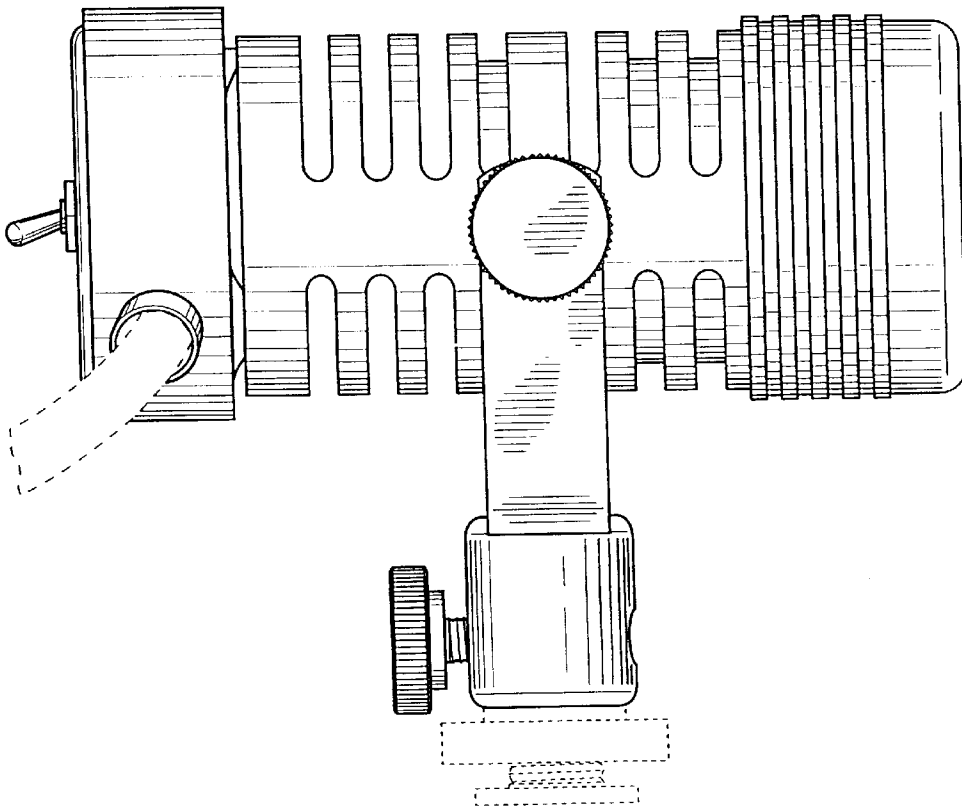


FIG. 7

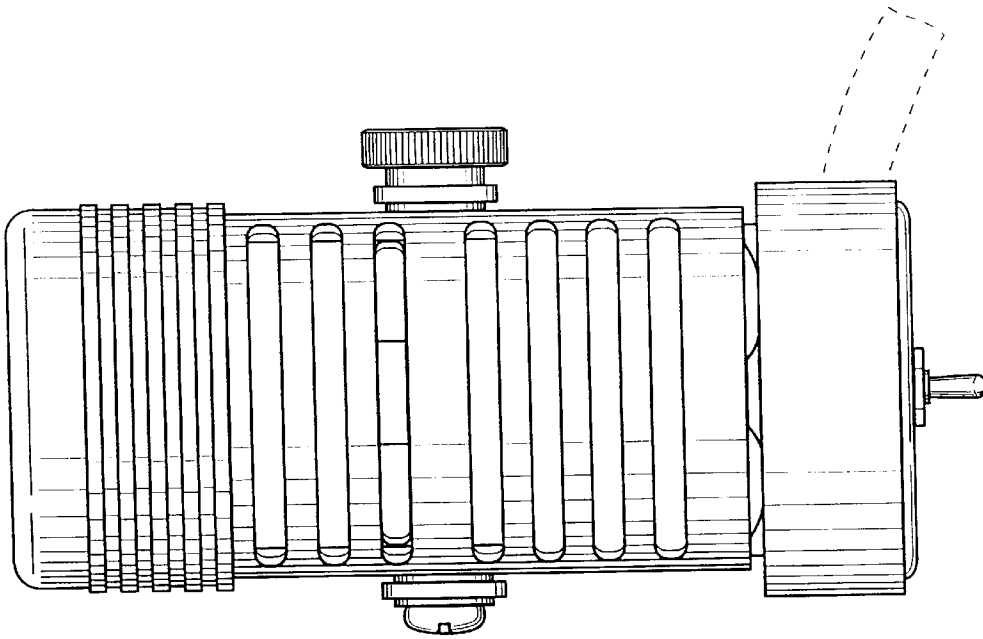


FIG. 8

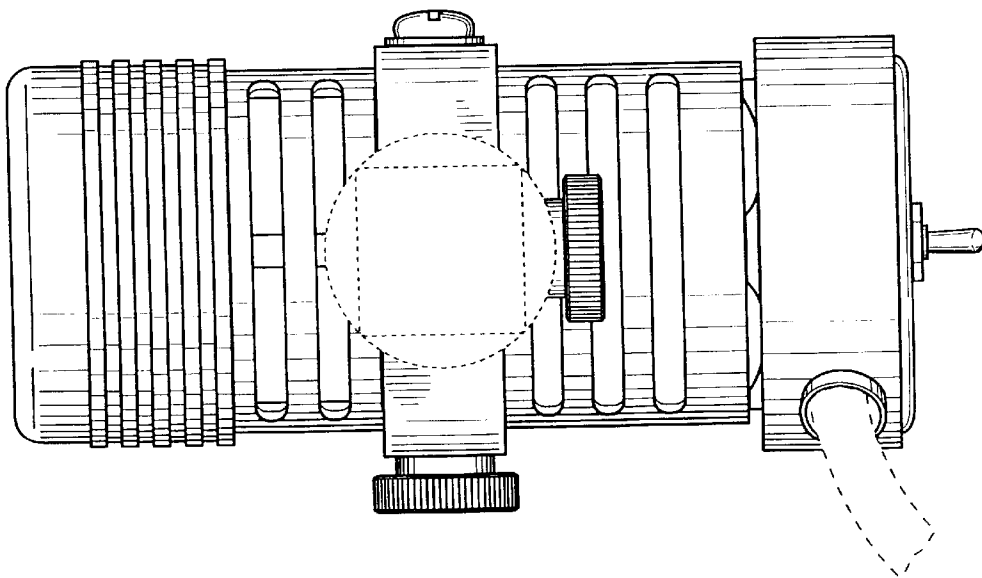


FIG. 9

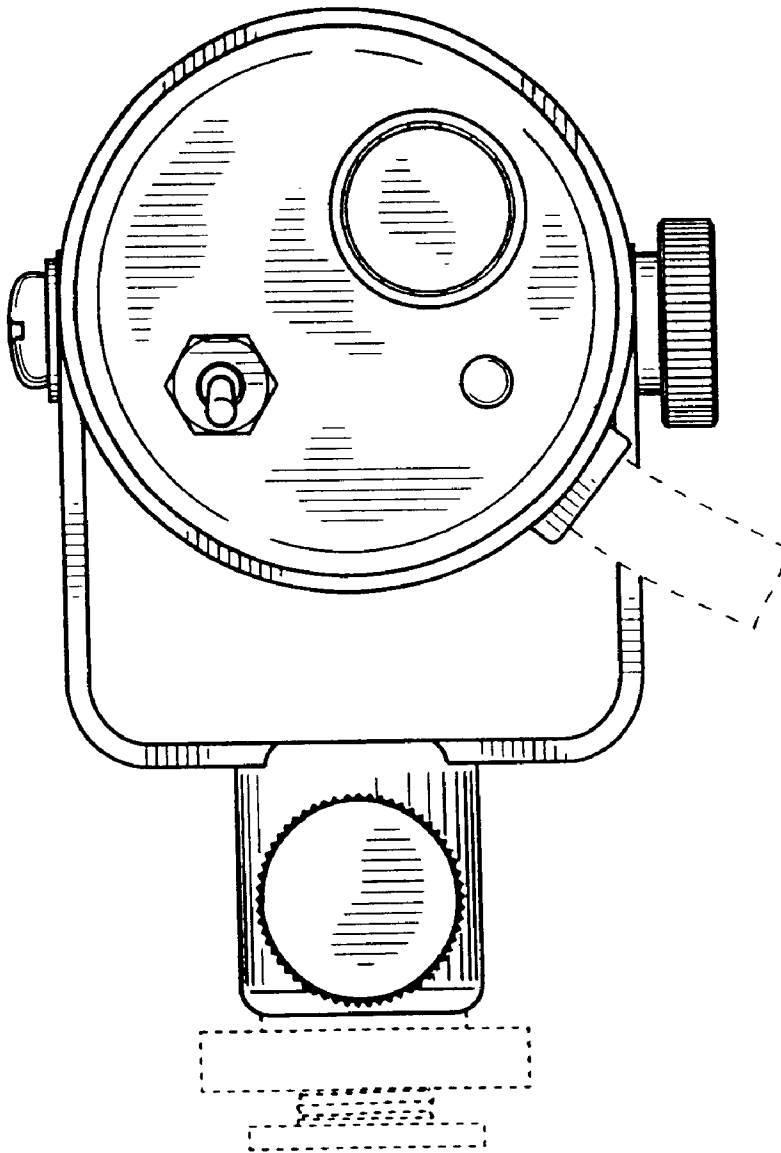


FIG. 10

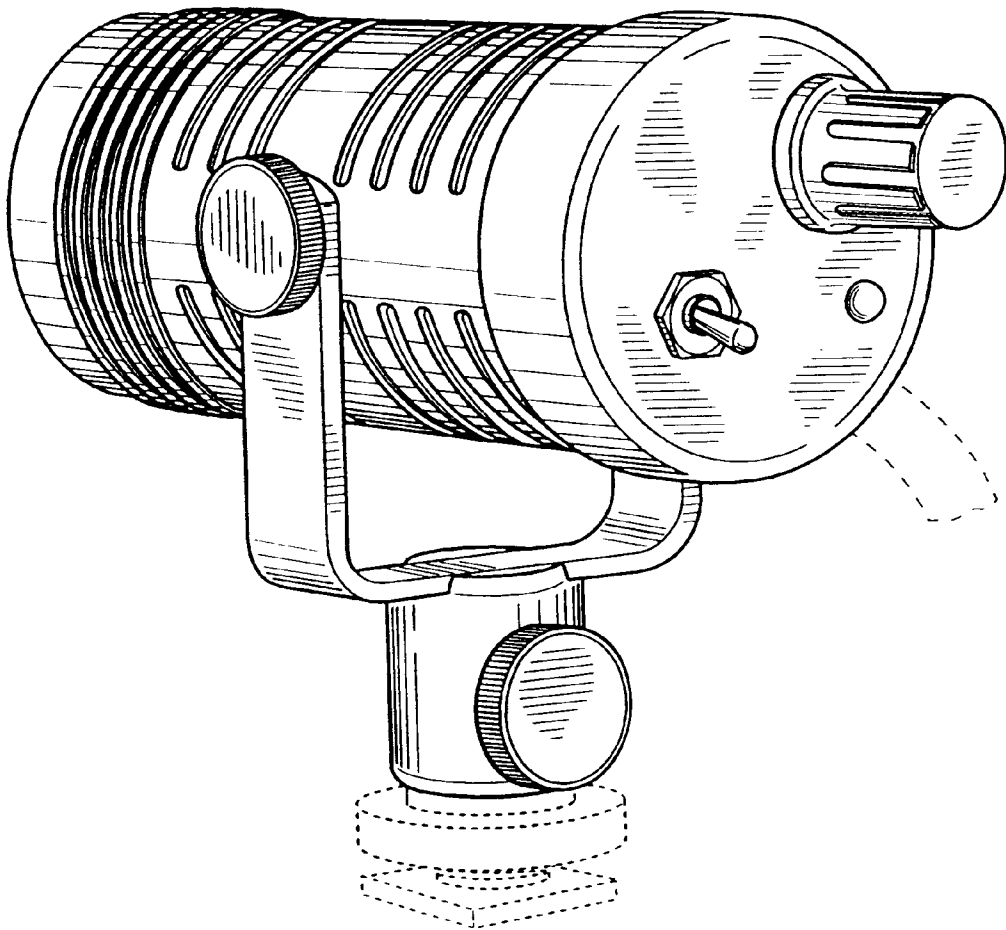


FIG. 11

