

(19) World Intellectual Property Organization
International Bureau



(43) International Publication Date
29 January 2004 (29.01.2004)

PCT

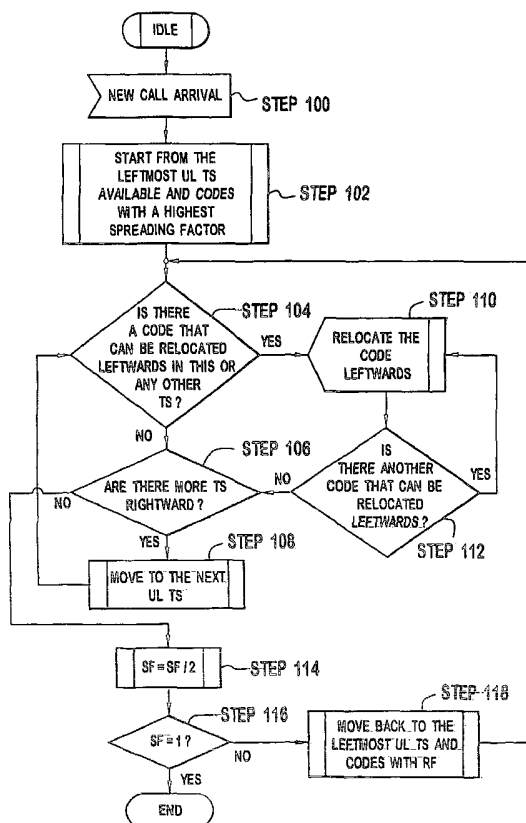
(10) International Publication Number
WO 2004/010591 A2

- (51) International Patent Classification⁷: H04B
- (21) International Application Number: PCT/US2003/022637
- (22) International Filing Date: 18 July 2003 (18.07.2003)
- (25) Filing Language: English
- (26) Publication Language: English
- (30) Priority Data:
 - 60/396,822 18 July 2002 (18.07.2002) US
 - 60/399,864 31 July 2002 (31.07.2002) US
- (71) Applicant: INTERDIGITAL TECHNOLOGY CORPORATION [US/US]; 300 Delaware Avenue, Suite 527, Wilmington, DE 19801 (US).
- (72) Inventors: ZUNIGA, Juan, Carlos; 955 Rue Gohier Nille St. Laurent, Montreal, Quebec H4L 3J4 (CA).

- IACONO, Ana, Lucia; 16 Clinch Avenue, Garden City, NY 11530 (US). STERN-BERKOWITZ, Janet; 41-20 Glenwood Street, Little Neck, NY 11363 (US).
- (74) Agents: VOLPE, Anthony, S. et al.; Volpe and Koenig, P.C., United Plaza, Suite 1600, 30 South 17th Street, Philadelphia, PA 19103 (US).
- (81) Designated States (national): AE, AG, AL, AM, AT, AU, AZ, BA, BB, BG, BR, BY, BZ, CA, CH, CN, CO, CR, CU, CZ, DE, DK, DM, DZ, EC, EE, ES, FI, GB, GD, GE, GH, GM, HR, HU, ID, IL, IN, IS, JP, KE, KG, KP, KR, KZ, LC, LK, LR, LS, LT, LU, LV, MA, MD, MG, MK, MN, MW, MX, MZ, NI, NO, NZ, OM, PH, PL, PT, RO, RU, SC, SD, SE, SG, SK, SL, TJ, TM, TN, TR, TT, TZ, UA, UG, UZ, VC, VN, YU, ZA, ZM, ZW.
- (84) Designated States (regional): ARIPO patent (GH, GM, KE, LS, MW, MZ, SD, SL, SZ, TZ, UG, ZM, ZW), Eurasian patent (AM, AZ, BY, KG, KZ, MD, RU, TJ, TM), European patent (AT, BE, BG, CH, CY, CZ, DE, DK, EE,

[Continued on next page]

(54) Title: ORTHOGONAL VARIABLE SPREADING FACTOR (OVSF) CODE ASSIGNMENT



(57) Abstract: The invention includes a system and methods for orthogonal variable spreading factor (OVSF) code assignment, de-allocation and code tree pruning. The invention also includes OVSF code identification and storage schemes. Embodiments are provided for code tree pruning, code assignment and de-allocation. These embodiments apply to both slotted and non-slotted code division multiple access systems.

WO 2004/010591 A2



ES, FI, FR, GB, GR, HU, IE, IT, LU, MC, NL, PT, RO,
SE, SI, SK, TR), OAPI patent (BF, BJ, CF, CG, CI, CM,
GA, GN, GQ, GW, ML, MR, NE, SN, TD, TG).

For two-letter codes and other abbreviations, refer to the "Guidance Notes on Codes and Abbreviations" appearing at the beginning of each regular issue of the PCT Gazette.

Published:

— *without international search report and to be republished upon receipt of that report*

not orthogonal to code C2(2), since tracing a path from code C16(16) to code C2(2) can be done using four upward connecting lines. Conversely, codes C16(16) and C8(7) are orthogonal to each other. Tracing a path from C16(16) to C8(7) involves using two upward connecting lines and one downward connecting line.

[0009] To minimize interference between communications, it is desirable to only assign codes that are orthogonal to each other. It is also desirable to assign the codes in an optimal manner such that the maximum number of orthogonal codes are available for use. In an operating wireless communication system as codes are assigned and release, unoptimal code assignments may occur reducing the system's capacity.

[0010] Figures 2A is an illustration of an unoptimal OVVSF code assignment. One problem with using OVVSF codes is the efficient use of the codes. After the assigning and release of codes, codes C16(16), C16(13), C16(9) and C16(5) are still active, as show as being filled circles. To prevent the assignment of a code not orthogonal to these codes, all the codes above these codes are blocked from assignment, as shown by an "X". Accordingly, the use of C16(5) blocks C8(3), C4(2), C2(1) and C1(1). As shown in Figure 2A, a total of ten codes are blocked, C1(1), C2(1), C2(2), C4(2), C4(3), C4(4), C8(3), C8(5), C8(7) and C8(8) are blocked. As a result of assigning four spreading factor (SF) sixteen codes, no SF 2 codes are available and only one SF4 code is available. Accordingly, services requiring an SF 2 code or multiple SF 4 codes can not be supported.

[0011] Figure 2B illustrates and efficient assignment of four SF 16 codes. Codes C16(16) to C16(13) are used. Only five codes are blocked as a result of this assignment, codes C1(1), C2(2), C4(4), C8(8) and C8(7). As a result, one SF 2 code is available and three SF 4 codes are available to support additional services. The assignment of Figure 2B allows for greater latitude in code assignment than Figure 2A.

[0012] Accordingly, it is desirable to have alternate approaches to code assignment.

[0013] SUMMARY

[0014] The invention includes a system and methods for orthogonal variable spreading factor (OVSF) code assignment, de-allocation and code tree pruning. The invention also includes OVSF code identification and storage schemes. Embodiments are provided for code tree pruning, code assignment and de-allocation. These embodiments apply to both slotted and non-slotted code division multiple access systems.

[0015] BRIEF DESCRIPTION OF THE DRAWING(S)

[0016] Figure 1 is an illustration of a OVSF code tree.

[0017] Figures 2A and 2B are illustrations of code allocations and the resulting blocked codes.

[0018] Figure 3 is a simplified block diagram of a OVSF code assignment system.

[0019] Figure 4 is a preferred OVSF code identification scheme.

[0020] Figure 5 is an illustration of a code vector.

[0021] Figure 6 is a flow chart for OVSF code tree pruning over multiple time slots.

[0022] Figure 7 is a flow chart for OVSF code tree pruning.

[0023] Figure 8 is a flow chart of periodic code tree pruning.

[0024] Figure 9 is a flow chart of OVSF code assignment and code tree updating procedures.

[0025] Figure 10 is a flow chart of OVSF code de-allocation and code tree updating procedures.

[0026] Figure 11 is a flow chart modifying Figure 8 for use with a default midamble code assignment scheme.

[0027] DETAILED DESCRIPTION OF THE PREFERRED EMBODIMENT(S)

[0028] Hereafter, a wireless transmit/receive unit (WTRU) includes but is not limited to a user equipment, mobile station, fixed or mobile subscriber unit, pager, or any other type of device capable of operating in a wireless environment.

[0029] Figure 3 is a simplified diagram of a wireless communication system using OSVF code assignment. A radio network controller (RNC) 26 has a radio resource management (RRM) device 46 for use in assigning and releasing codes. The RRM device 46 has an associated memory for use in storing the code assignments and other information. A Node-B has a code assignment device 42 which receives the resource allocation from the RRM device 46. The code assignment device 42 assigns codes to the uplink, downlink or both communications. A transmitter (TX) 40 uses the downlink code assignments to transfer communications through the downlink channel(s) 36 of the wireless interface 22. A receiver (RX) 38 uses the uplink code assignments to receive communications over the uplink channel(s) 34. A WTRU 20 has a code assignment device 32 for assigning uplink and downlink codes. The code assignments may be signaled from the RRM device 46 to the WTRU 20. The TX 28 uses the uplink code assignments to send uplink communications and the RX 30 uses the downlink code assignments to receive downlink communications.

[0030] The following are embodiments for assigning and/or reassigning OSVF codes. Figure 4 is an illustration of a preferred technique for identifying the codes of the code tree. In the technique of Figure 4, the codes are identified as sequential numbers. The spreading factor 1 code, C1(1), is identified as 1. The spreading factor 2 codes are identified as: C2(2) as 2 and C2(1) as 3. The spreading factor 4 codes are identified as: C4(4) as 4, C4(3) as 5, C4(2) as 6, C4(1) as 7. The spreading factor 8 codes are identified as: C8(8) as 8, C8(7) as 9, C8(6) as 10, C8(5) as 11, C8(4) as 12, C8(3) as 13, C8(2) as 14 and C8(1) as 15. The spreading factor 16 codes are identified as: C16(16) as 16, C16(15) as 17, C16(14) as 18, C16(13) as 19, C16(12) as 20, C16(11) as 21, C16(10) as 22, C16(9) as 23, C16(8) as 24, C16(7) as 25, C16(6) as 26, C16(5) as 27, C16(4) as 28, C16(3) as 29, C16(2) as 30 and C16(1). For systems using spreading factors larger than 16, such as FDD/CDMA, the code tree can be expanded accordingly. Although Figure 4 illustrates one number scheme other versions may be used. To illustrate the sequential numbering across the rows may be done from right to left or in

another order.

[0031] As shown at the bottom of Figure 4, the sequential code identifiers can be grouped by spreading factor and remain in sequence. To illustrate, SF 16 code identifiers are identifiers 16 to 31. The use of such a code identifier technique allows for reduced storage space for code assignments. Figure 5 is an illustration of such a code assignment storage. Each code identifier, 1 to 31, has an associated bit or word 48_1 to 48_{31} to indicate the current status of the code, such as being "currently assigned", "blocked" or "available". A "blocked" code is a code that cannot be assigned due to another "currently assigned" code. To illustrate, C8(1) is blocked if either C16(1), C16(2), C4(1), C2(1) or C(1) is being used. Additional status information may be provided, such as an indicator of the number of blocking codes may also be provided.

[0032] This code identification storage approach allows for essentially a concise vector to contain the code assignment information, instead of utilizing some form of list or table. However, the following code assignment approaches can be used or adapted for use with a vector, table, list or other storage techniques.

[0033] One preferred code status word uses a two bit element. The first bit indicates if the code is blocked. A "0" indicates that the code is not blocked and a "1" indicates that the code is blocked. The second bit indicates if the code is blocked by one code in its sub-tree or both codes in the sub-tree. A "0" indicates one code and a "1" indicates two codes. For example, if code 8 is used and code 9 is free, then code 4 is blocked by one code only, and it is marked as "10"; if codes 8 and 9 are used, then code 4 is blocked by both codes in its sub-tree, and it is marked as "11". If a code is being used currently, it is marked as "11". "01" preferably indicates that the code cannot be used in that timeslot.

[0034] Figure 6 is a preferred tree pruning approach for use in slotted CDMA communication systems, such as in TDD/CDMA. Tree pruning is a reassignment of codes to allow for more flexibility in future code assignments. Although the following describes code pruning in a left to right fashion, other code assignment orders can be used such as right to left among others.

[0035] A new call is to be added and codes are assigned to the call, step 100. The pruning is begun with a first time slot of set of timeslots for potential assignment and reassignment. To illustrate, in a TDD/CDMA system in which slots 2, 4, 6 and 10 may be used for uplink transmissions, slot 2 could be deemed the first slot, slot 4 the second and so on. The leftmost available code of the highest spreading factor (SF) in that time slot is evaluated, step 102. If there are no codes of that SF available in the first time slot, subsequent time slots are searched until a code is found. Although the flow chart of Figure 6 is described as by moving from a highest to lowest spreading factor, the differing spreading factors can be processed from lowest to highest or in another order.

[0036] After a code is found, a highest SF code in any time slot that can be moved left into this time slot is determined, step 104. That determined code is relocated leftwards, step 110. If other codes can be moved leftwards, these codes are also relocated, step 112. The relocation procedure is repeated for the next time slot, steps 106 and 108. If there are no time slots that have not been evaluated, the leftward relocation is performed for the next higher spreading factor, steps 114 and 118. This process is repeated until the lowest spreading factor is reached, such as SF 1, step 116. Codes having a SF of 1 are preferably not relocated and the process ends.

[0037] The algorithm of Figure 6 is preferably invoked for after every new call. The algorithm, in summary, starts pruning the trees with the lowest layer codes and from the rightmost timeslot and code. If a code can be reallocated to any other place to the left, the code is moved. After all the possible codes in the lowest layer are moved, the algorithm moves up one level and repeats the same procedure. It continues until one layer before the highest is reached (i.e. in the TDD case, codes with SF1 typically do not need to be reallocated).

[0038] Another approach, as per Figure 7, limits the tree pruning to pruning within individual time slots. This code approach can be applied also to non-slotted system as well. After the new call is assigned a code, step 120, the rightmost code with a highest SF is selected, step 122. If the rightmost highest SF code can be relocated leftward, step 124, the code is relocated leftward, step

130. If another highest SF code can be relocated leftward, step 132, it is relocated, step 130. The leftward relocating is repeated for each lower spreading factor in order, step 126. After the lowest SF is reached, such as SF 1, step 128, the procedure is ended.

[0039] In summary, after every new arrival, the algorithm of Figure 7 is invoked. The algorithm starts pruning the tree with the lowest layer codes and from the rightmost code. If a code can be reallocated to any other place to the left, the code is moved. In the preferred approach, each code is reallocated as far to the left as possible. After all the possible codes in the lowest layer are moved, the algorithm moves up one level and repeats the same procedure. It continues until one layer before the highest is reached.

[0040] Figure 8 is another preferred algorithm for tree pruning. This algorithm acts only periodically and limits the maximum number of reallocations. Such an approach reduces the overall processing required. Additionally, the overhead associated with reassignment is also reduced. This algorithm also looks at the tree's code fragmentation. Code tree fragmentation is measure of the number of blocked codes within that tree. Although this approach is described with its preferred application in a slotted CDMA system, it can also be applied to non-slotted systems.

[0041] After a certain number of arrivals, such as "X", step 134, the algorithm is invoked. The algorithm initially looks at the fragmentation of the trees in each time slot. If at least one of the trees is fragmented more than a certain threshold, such as T, step 136, the algorithm starts pruning the trees with the lowest layer codes and from the rightmost timeslot and code, step 138. If a code can be reallocated to any other place to the left, step 150, the code is moved and a counter, such as tracked by a variable "Num_reall", that keeps track of the number of reallocations is updated. If the maximum number of reallocations is reached, step 152, the algorithm ends. If the maximum number of reallocations is not reached, the algorithm continues. After all the possible codes in the highest spreading factor are moved, steps 154 and 142, the algorithm moves up to the next highest spreading factor and repeats the same procedure,

steps 146 and 148. The procedure is repeated for each lower spreading factor, until the lowest spreading factor, steps 148, 156.

[0042] Variations to these code management schemes may also be used. Codes with a low SF can be allocated right-to-left, whereas codes with high SF can be allocated from left-to-right, thus concentrating codes for similar services in the same timeslots. The code tree pruning algorithms may also make use of the code management scheme in order to give priority to arrivals that request either a high or low SF.

[0043] Figure 9 is a preferred algorithm for assigning OVVSF codes. A preferred use for this algorithm is in uplink code assignment for the TDD/CDMA, although the algorithm can be used for other applications. The preferred algorithm uses a code vector having two bit code status elements as previously described and the code tree of Figure 4.

[0044] Initially, a variable, such as "x" is set to Q, where Q is the SF of the code requiring assignment, step 200. An initial node having that SF in the tree is checked to see if it is free ($v(x) = "00"$), step 202. If it is, the parent node (the connected node having a lower spreading factor) is checked to see if it is blocked (" 10 "), step 204. If it is blocked, node x is assigned, step 216. A variable "S" representing the assignment is set to "x", step 218, and the algorithm proceeds to step 220.

[0045] If the parent node is not blocked, assigning that node may not be optimal (" $non_optimal = "x"$ "), step 206. The next node is checked ($x = x + 1$), step 208. If the next node has the same SF ($x < 2 * Q$), step 210, the algorithm goes to step 202 to determine if that node is optimal or not. If not, the " $non_optimal$ " node is selected for assignment, step 212. The variable "S" is set to " $non_optimal$ ", step 214, and the algorithm proceeds to step 220.

[0046] The element of node S is marked as assigned ($v(S) = "11"$), step 220. The connected node having a SF lower than the assigned node is updated ($UpNode = \lfloor s/2 \rfloor$), step 222. If $UpNode = 0$, that indicates that all the nodes have been updated, step 224, and the algorithm proceeds to step 234. If not $v(UpNode)$

= "00", indicating that the node is available, step 226, that node is blocked ($v(\text{UpNode}) = "10"$), step 228. The next higher node (having a lower SF) is checked ($\text{UpNode} = \lfloor \text{UpNode}/2 \rfloor$), step 230. If $v(\text{UpNode}) = "11"$ (indicating that the node was blocked by one and now is blocked by two codes), step 232, the procedure to go up the tree is finished, step 234.

[0047] The algorithm proceeds to update down the tree (initialize $\text{DownNode} = S*2$), step 236. The number of nodes to be checked below the current node is two (initialize $\text{number_nodes} = 2$), step 238. The algorithm checks to see that the bottom of the tree has not been passed ($\text{DownNode} < 32$), step 240. If the bottom is passed, the update is complete, step 254. If the bottom was not passed, a count is initialized (initialize $\text{count} = 0$), step 242. The node indicated by the count is blocked ($v(\text{DownNode}+\text{count}) = "11"$), step 244. The algorithm increments the count and proceeds to the next node ($\text{count} = \text{count} + 1$), step 248. If $\text{count} < \text{number_nodes}$, step 248, the algorithm checks the next node and goes to step 244. If $\text{count} \geq \text{number_nodes}$, the algorithm checks on level lower in the tree ($\text{DownNode} = 2*\text{DownNode}$), step 250. The nodes checked in the lower level is doubled ($\text{number_nodes} = 2*\text{number_nodes}$), step 252.

[0048] Figure 10 is a preferred algorithm to update a tree after a code has been released (de-allocated). A variable "S" is set to the value of the node being de-allocated, step 256. That node, S, is marked as free ($v(S) = "00"$), step 258. The nodes higher in the tree are updated (initialize $\text{UpNode} = \lfloor s/2 \rfloor$), step 260. The algorithm checks to see if the top of the tree has not been passed ($\text{UpNode} = 0$), step 262. If the top of the tree is passed, lower nodes in the tree are checked, step 272. If the top is not passed, the current node is blocked by one code ($v(\text{UpNode}) = "10"$), step 264, that node is marked as being available ($v(\text{UpNode}) = "00"$), step 266. The algorithm proceeds to check the next higher node in the tree ($\text{UpNode} = \lfloor \text{UpNode}/2 \rfloor$), step 268, and the algorithm checks this node. If the node was blocked by two codes, it is set as being blocked by one node ($v(\text{UpNode}) = "10"$), step 270.

[0049] To update down the tree, the "DownNode" variable is initialized

(DownNode = S*2), step 274. The number of nodes to update below the node is initialized (number_nodes = 2), step 276. If the bottom of the tree is passed (DownNode >= 32), the tree has been updated, step 292. If not (DownNode < 32), a count is initialized (count = 0), step 280. The node indicated by the count is freed for assignment (v(DownNode+count) = "00"), step 282. The count is incremented (count = count + 1), step 284. If the number of nodes updated is not passed (count < number_nodes), the updating is repeated for the next count, step 286. If it is passed (count >= number_nodes), the next level down the tree is checked (DownNode = 2*DownNode), step 288. The number of analyzed nodes in the lower level is twice that of the prior level (number_nodes = 2* number_nodes), step 290, and the updating is repeated.

[0050] One embodiment of the invention relates to code assignment for the default midamble allocation scheme of the TDD mode of 3GPP W-CDMA. Midambles are part of the physical channel configuration for TDD. Different midamble allocation schemes exist for TDD. One is a WTRU specific midamble allocation, applying to both the uplink and downlink. For the WTRU specific midamble allocation, a specific midamble is explicitly assigned to all physical channels of a specific user. Another scheme is default midamble allocation, which also applies to both the uplink and downlink. For this scheme, the midamble used is determined by a pre-defined association between the midambles and the assigned channelization codes.

[0051] Another scheme is the common midamble allocation, which applies only to the downlink. In this scheme, a common midamble is allocated to all physical channels in a specific timeslot. For the WTRU specific and common midamble schemes, the codes may be assigned to users without considering the midamble assignment.

[0052] However, for the default midamble, the association between the midambles and the channelization codes is used in the code allocation scheme. Depending on the burst type and the value of Kcell, as defined by the standards, different associations apply. The burst type and the value of Kcell are individually configurable in the Radio Network Controller (RNC) for each

timeslot by, for example, an operations and maintenance (O& M) function, or a function in the RNC such as radio resource management (RRM) dynamic channel allocation (DCA). The configuration is signaled to the WTRU via RRC signaling and, accordingly, the association is known by the WTRU.

[0053] For default midamble allocation, the association between midambles and channelization codes defines primary and secondary channelization codes. The following rules apply: each secondary channelization code is associated with a single primary channelization code; each secondary channelization code uses the same midamble as the primary channelization code with which it is associated; secondary codes can only be allocated if the associated primary code is also allocated; all channelization codes associated with the same midamble can only be allocated to the same WTRU; and for common and WTRU specific midamble allocations, all codes can be considered to be primary codes.

[0054] In order to perform code assignment for the default midamble scheme, each code is preferably given an additional flag indicating whether it is a primary or secondary channelization code, a midamble designation (which could also be called a code group designation) with one of Kcell different possible values (e.g., 0 through Kcell-1), and a tag to be used for the WTRU association.

[0055] Figure 11 is a flow chart for replacing steps 200-220 of Figure 9 for use in allocating codes for the default midamble scheme. The tag for WTRU association could be provided for each channelization code or just for each midamble, since each code is already associated with a given midamble. The association with a midamble for a WTRU would imply association with that WTRU.

[0056] The procedure attempts to find the most optimal available code (code marked "00") for a given user (WTRU). The first (most desirable) choice is a secondary code associated with a midamble that is already assigned to the user. This type of code is classified as a class 1 code. The second choice is a primary code that has a parent, which is already blocked by one code (parent marked as "10"). This code is classified as a class 2 code. The third choice is a primary code that has a parent which is not blocked, which is classified as a class 3 code.

Secondary codes associated with a midamble belonging to a different user would not be considered for assignment.

[0057] The most preferred algorithm scans from left to right, starting at the left-most code in the tree in that level, although other scanning directions may be used. For each available code, we determine which, if any, class it belongs to. If a class 1 is found, an immediate assignment is made. Otherwise, the left most codes in classes 2 and/or 3 are remembered for possible assignment in the case the scan ends without finding a class 1 code.

[0058] The following variables are used in the preferred algorithm: Optimal_Primary for a code in class 2 and Non_Optimal_Primary for a code in class 3. A variable, x , is initialized the value of the spreading factor, $x = Q$, step 300. Q is the SF of the code to allocate. Optimal_Primary and Non_Optimal_Primary are set to zero. The variable $v(x)$ is checked to see if it equals "00", indicating that it is free, step 302. If x is a secondary code, step 304, and the midamble associated with code x is assigned to the user, step 306, the selected code S is set to x ($S=x$), step 308. Then, the algorithm jumps to step 336.

[0059] If x is not a secondary and is a primary, step 310, and Optimal_Primary = 0, step 312, (an optimal code has not been found optimal yet), the left most primary code is saved as optimal for later use, if a secondary code is not found. The parent code is checked to see if it is blocked by one ($v(x/2) = "10"$), step 314. If it is, Optimal_Primary is set to the current x (Optimal_Primary = 0), step 320, and the next code is checked ($x=x+1$), step 322. If the parent is blocked, a check is done to determine whether a non-optimal primary code is found (Non_Optimal_Primary = 0), step 318. Subsequently, the next code is checked ($x=x+1$), step 322.

[0060] If the next code is within the same spreading factor, ($x < 2*Q$), step 324, the procedure is repeated for the next code and the algorithm goes to step 302. If the next code is not in the same spreading factor, a check is done to see if an optimal primary code is found (Optimal_Primary = 0), step 326. If an optimal primary has been found, the code is set to the optimal primary ($S = \text{Optimal_Primary}$), step 328. The midamble of the assigned code S is assigned to

the user, step 330.

[0061] If a non-optimal primary is found ($\text{Non_Optimal_Primary} = 0$), step 332, S is set to the non-optimal primary ($S = \text{Non_Optimal_Primary}$), step 334. The midamble of the assigned code S is assigned to the user, step 330. After the midamble is assigned, the assigned code is marked as being assigned ($v(S) = "11"$), step 336, and the code tree is updated accordingly, step 338. If no secondary or primary codes are available, a code cannot be assigned, step 340.

[0062] Since the de-allocation procedure simply consists of updating the code tree, the previously described procedure for code de-allocation can be used in case of default midamble allocation with the addition of one step. After the completion of the de-allocation of a primary code, the midamble associated with that code would be disassociated from that user (WTRU).

[0063] Preferably, the entity that invokes the procedure after deciding which code to de-allocate (e.g., a Radio Resource Management function) ensures that a primary code is only de-allocated if all its secondary codes are not assigned. Optionally, a step could be added at the beginning of the de-allocation procedure to verify that a primary code is not being de-allocated when its associated secondary codes are still assigned. If any associated secondary is still assigned, the de-allocation procedure would exit and indicate a code assignment failure.

* * *

CLAIMS

What is claimed is:

1. A method for reassigning codes of an orthogonal variable spreading factor (OVSF) code tree in a code division multiple access communication system, the code tree having a plurality of codes at differing spreading factors and having a plurality of branches between the codes of different spreading factors, if a particular code of the code tree is assigned, a lower spreading factor code of the code tree connected to that code by one of the branches is blocked from assignment, if a code of the code tree is blocked, a code of the tree of a lower spreading factor connected to that code by one of the branches is blocked from assignment, the method comprising:

starting at a first spreading factor:

(a) determining selected assigned codes of that spreading factor that can be reassigned to other codes of that spreading factor in a desired direction of the code tree; and

(b) reassigning the selected assigned codes to the other codes; and for each other spreading factor, repeating steps (a) and (b).

2. The method of claim 1 wherein the other codes are within a same time slot as the selected codes.

3. The method of claim 1 wherein at the least one of the other codes is in a different time slot than the selected codes.

4. The method of claim 1 wherein steps (a) and (b) are only performed if under a threshold number of codes are blocked in a time slot.

5. The method of claim 1 wherein a number of the reassigned codes is limited.

6. The method of claim 1 wherein the first spreading factor is a highest spreading factor.

7. A radio network controller (RNC) having a radio resource management device, the radio resource management device having a memory for storing a representation of an orthogonal variable spreading factor (OVSF) code tree, the code tree having a plurality of codes at differing spreading factors and having a plurality of branches between the codes of different spreading factors, if a particular code of the code tree is assigned, a lower spreading factor code of the code tree connected to that code by one of the branches is blocked from assignment, if a code of the code tree is blocked, a code of the tree of a lower spreading factor connected to that code by one of the branches is blocked from assignment, the radio resource management device capable of performing steps comprising:

starting at a highest spreading factor:

(a) determining selected assigned codes of that spreading factor that can be reassigned to other codes of that spreading factor in a desired direction of the code tree; and

(b) reassigning the selected assigned codes to the other codes; and for each lower spreading factor in sequence, repeating steps (a) and (b).

8. The RNC of claim 7 wherein the other codes are within a same time slot as the selected codes.

9. The RNC of claim 7 wherein at the least one of the other codes is in a different time slot than the selected codes.

10. The RNC of claim 7 wherein steps (a) and (b) are only performed if under a threshold number of codes are blocked in a time slot.

11. The RNC of claim 7 wherein a number of the reassigned codes is limited.
12. The RNC of claim 7 wherein the representation of the code tree is stored as a vector.
13. The RNC of claim 12 wherein the vector includes an element for each code of the code tree in sequence.
14. The RNC of claim 13 wherein all the element of codes having a same spreading factor are contiguous.
15. The RNC of claim 13 wherein each element has two bits, one bit of the two bits indicating whether the code of that element is blocked and another bit of the two bits indicating whether one or multiple codes are blocked by the code of that element.
16. A method for assigning, de-allocating or updating codes in an orthogonal variable spreading factor (OVSF) code tree, the tree having rows and each successive row down the tree having double a spreading factor of a preceding row, the method comprising:
 - providing each code a numeric value, wherein each code in a row lower in the tree has a value at least twice that of the assigned numeric value of the numeric value assigned to that code; and
 - assigning, de-allocating or updating codes in an orthogonal variable spreading factor (OVSF) code tree using the provided code.
17. The method of claim 16 wherein the providing each code a numeric value includes using a binary tree where each node represents a channelization code and providing a numeric value for each node, wherein the numeric value of a lowest spreading factor is one and the two children nodes of each parent node are

assigned a numeric value equal to twice the numeric value of that parent node or twice the numeric value of that parent node plus one.

18. The method of claim 16 wherein a change in state of a specified code requires updating of a code that has the code numeric value of two times that of the code numeric value of the specified code and two times that of the code numeric value of the specified code plus one.

19. The method of claim 16 wherein a change in state of a specified code requires updating of a code that has the code numeric value of an integer less than or equal to half of the code numeric value of the specified code.

20. The method of claim 16 wherein a spreading factor of 1 code has a code numeric value of 1, spreading factor 2 codes have code numeric values of 2 and 3, spreading factor 4 codes have code numeric values of 4, 5, 6 and 7, spreading factor 8 codes have code numeric values of 8, 9, 10, 11, 12, 13, 14 and 15, spreading factor 16 codes have code numeric values of 16, 17, 18, 19, 20, 21, 22, 23, 24, 25, 26, 27, 28, 29, 30 and 31.

21. A method for identifying codes in an orthogonal variable spreading factor (OVSF) code tree for use in code allocation, the tree having rows and each successive row down the tree having double a spreading factor of a preceding row, the method comprising:

sequentially numbering each code in the OVSF code tree, wherein codes having a same spreading factor are in sequence.

22. The method of claim 21 wherein the sequential number starts at a code having a lowest spreading factor and identifying that code as 1.

23. A method for indicating code availability for codes in an orthogonal variable spreading factor (OVSF) code tree for use in code allocation, the method comprising:

assigning each code an indicator, the indicator having two bits, a first of the two bits indicating whether the code is blocked by use of another code and a second of the two bits indicating whether the code is blocked by one or two codes.

24. The method of claim 23 wherein the first bit having a value of 0 indicates that the code is not blocked and the first bit having a value of 1 indicating that the code is blocked and the second bit having a value of 0 indicating that the code is blocked by one code and the second bit having a value of 1 indicating that the code is blocked by two codes.

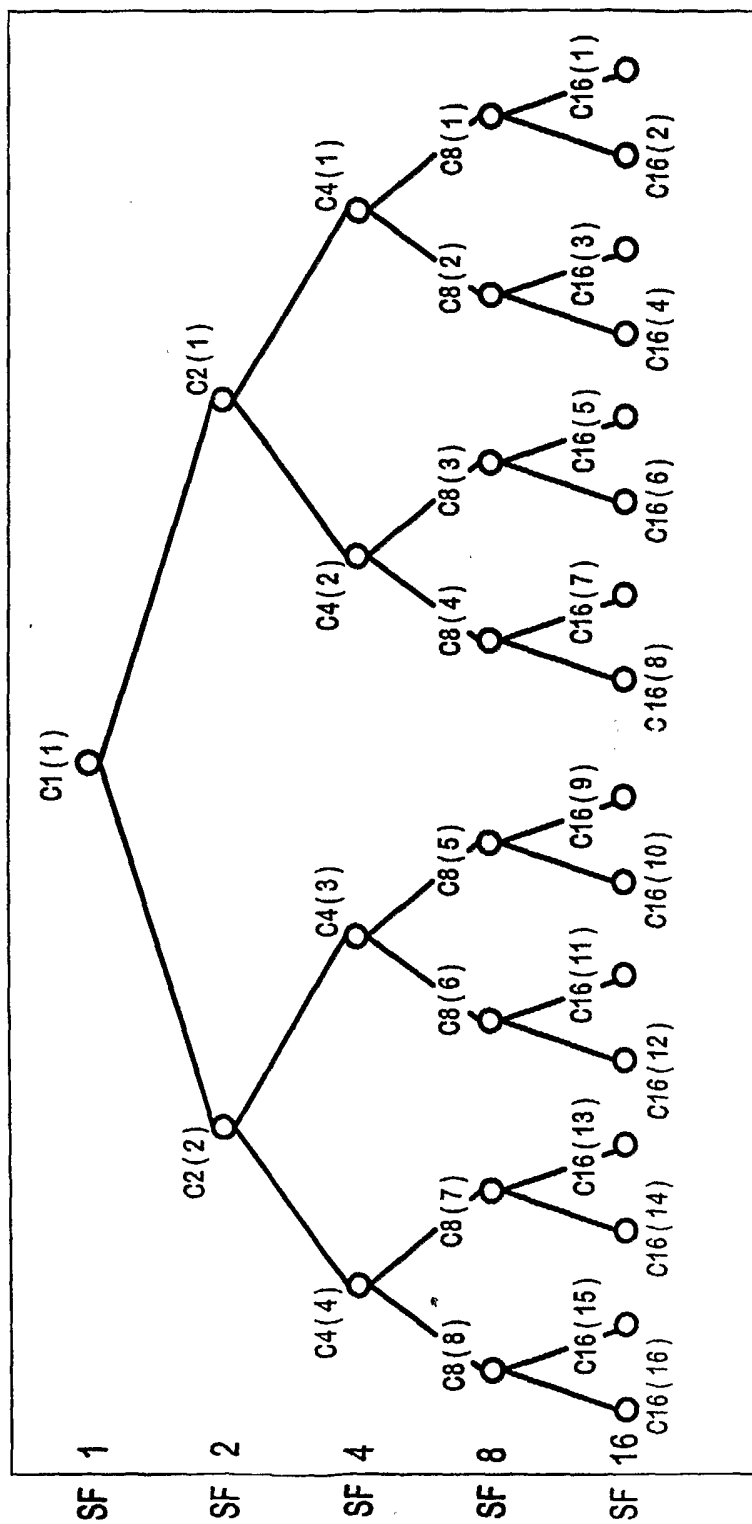


FIG. 1

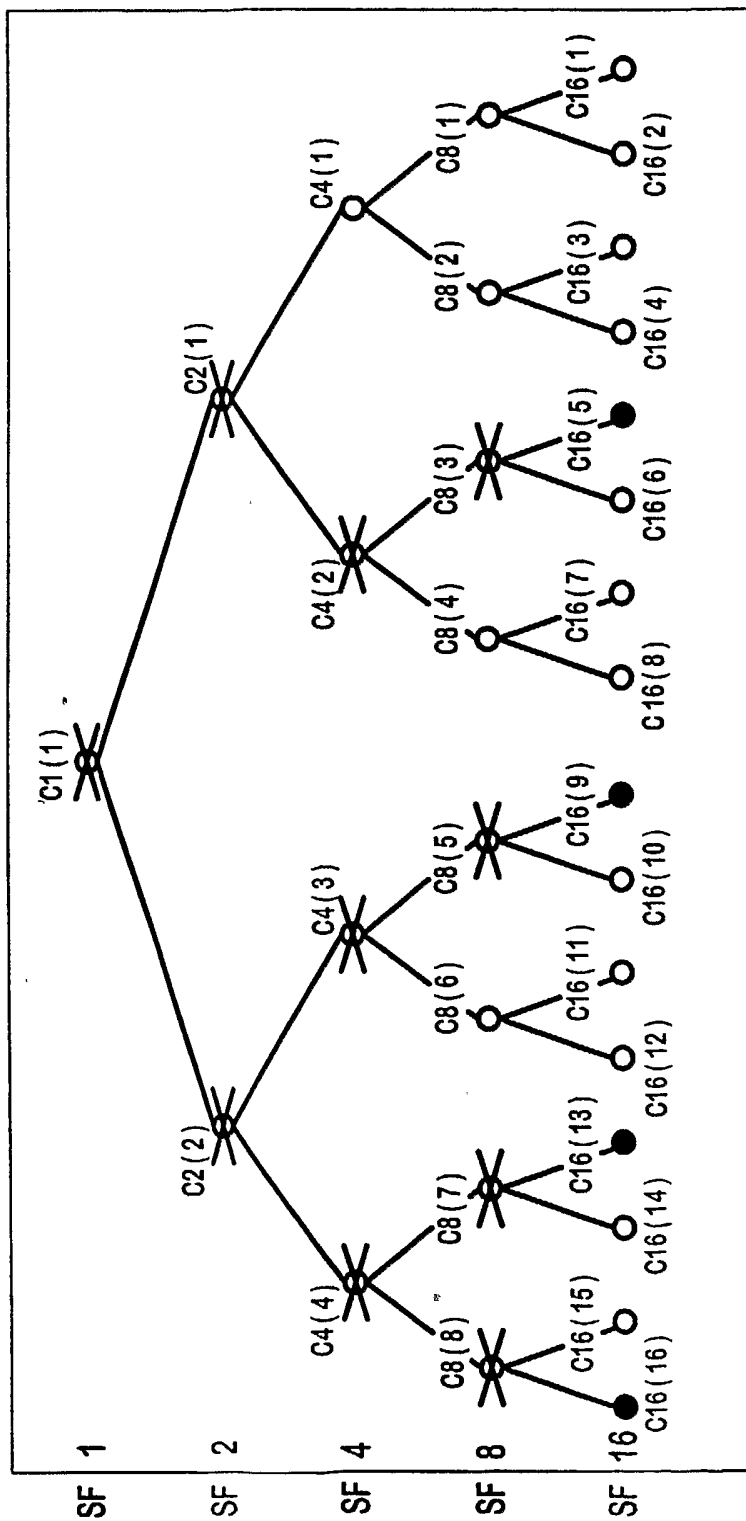


FIG. 2A

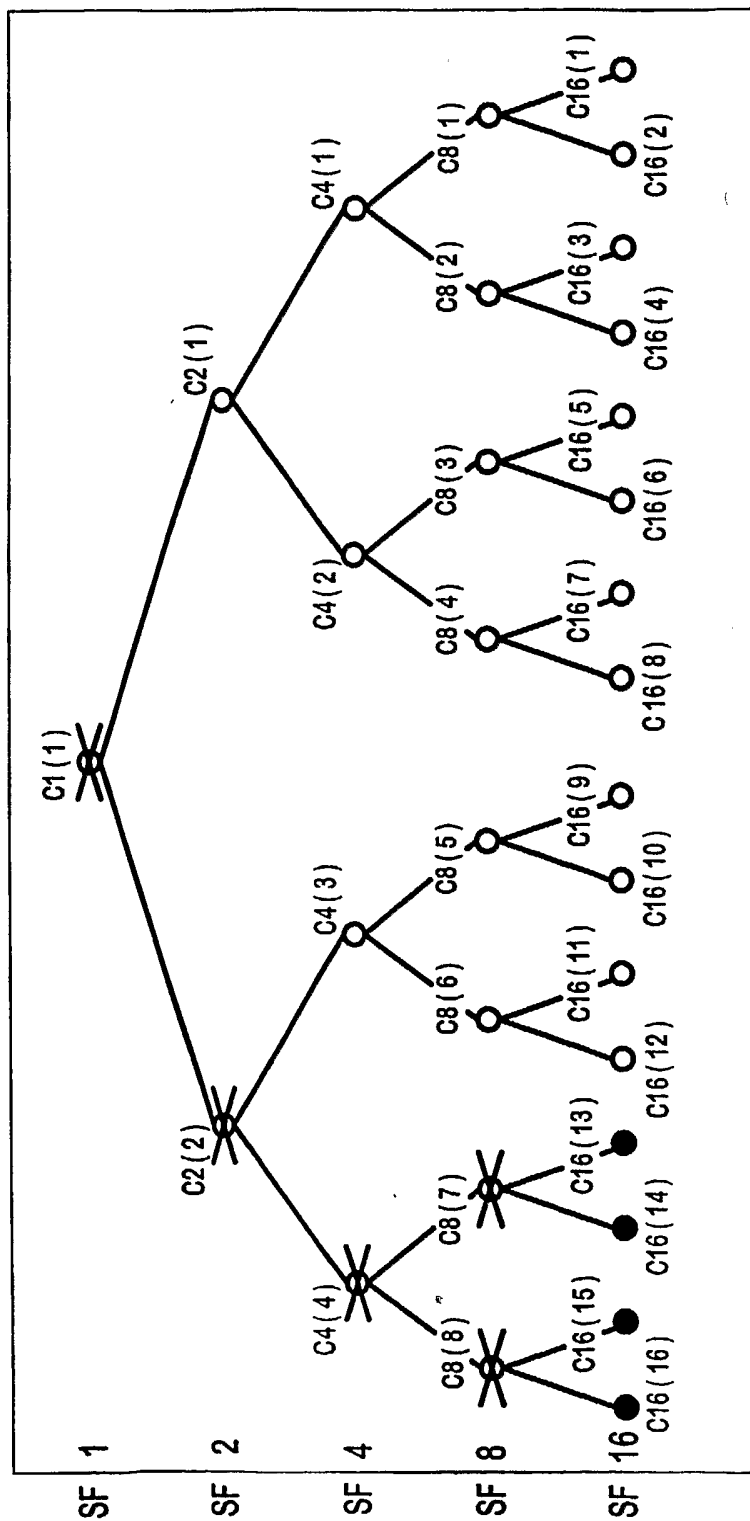


FIG. 2B

4/14

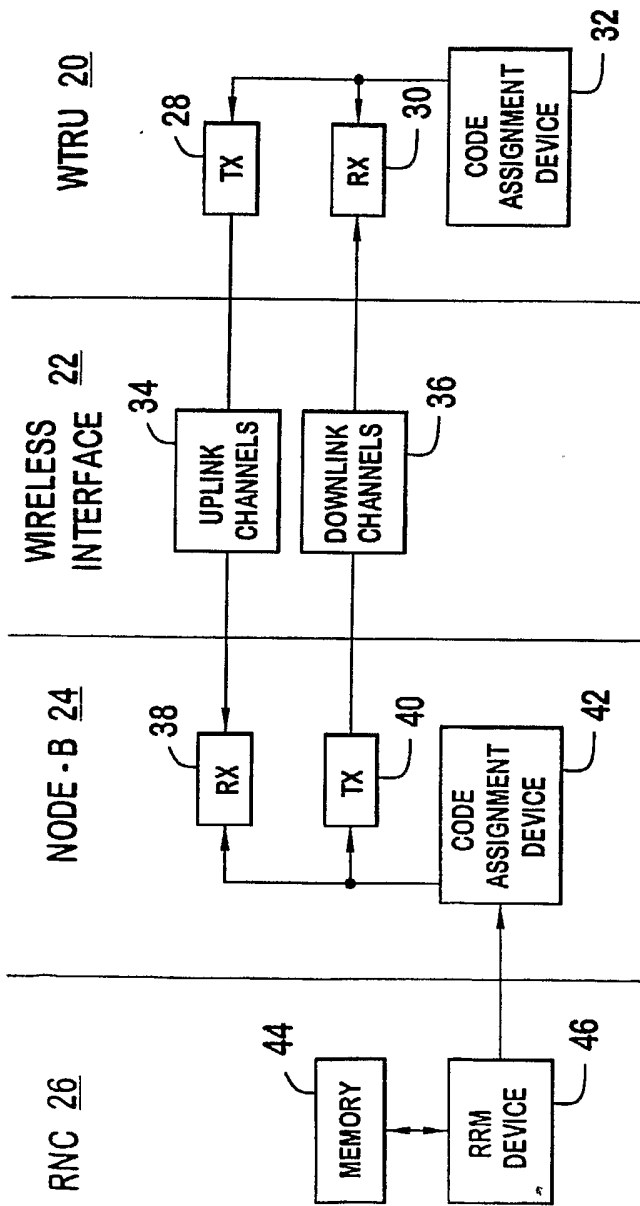


FIG. 3

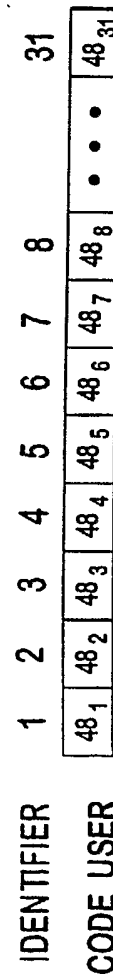


FIG. 5

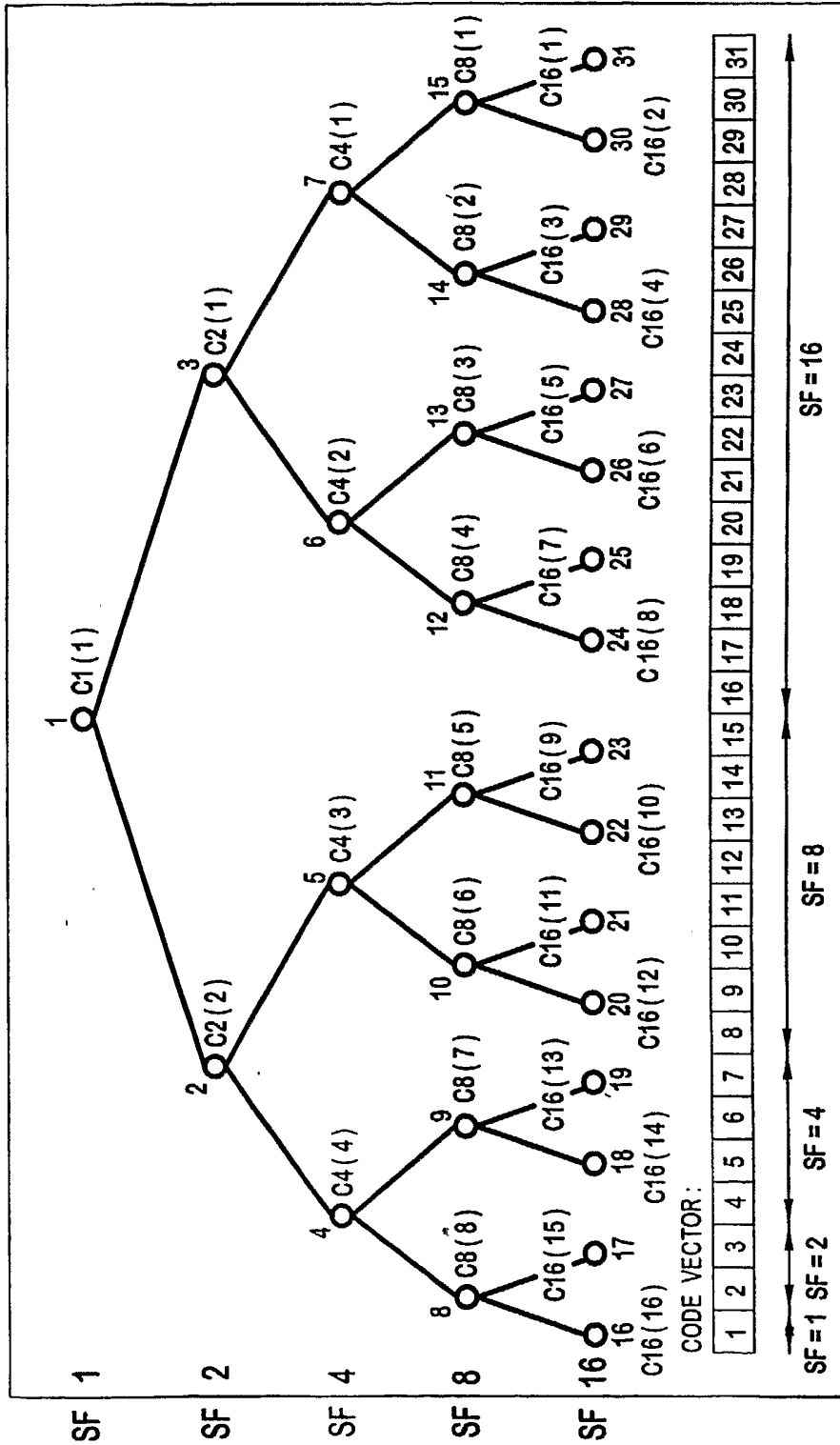


FIG. 4

6/14

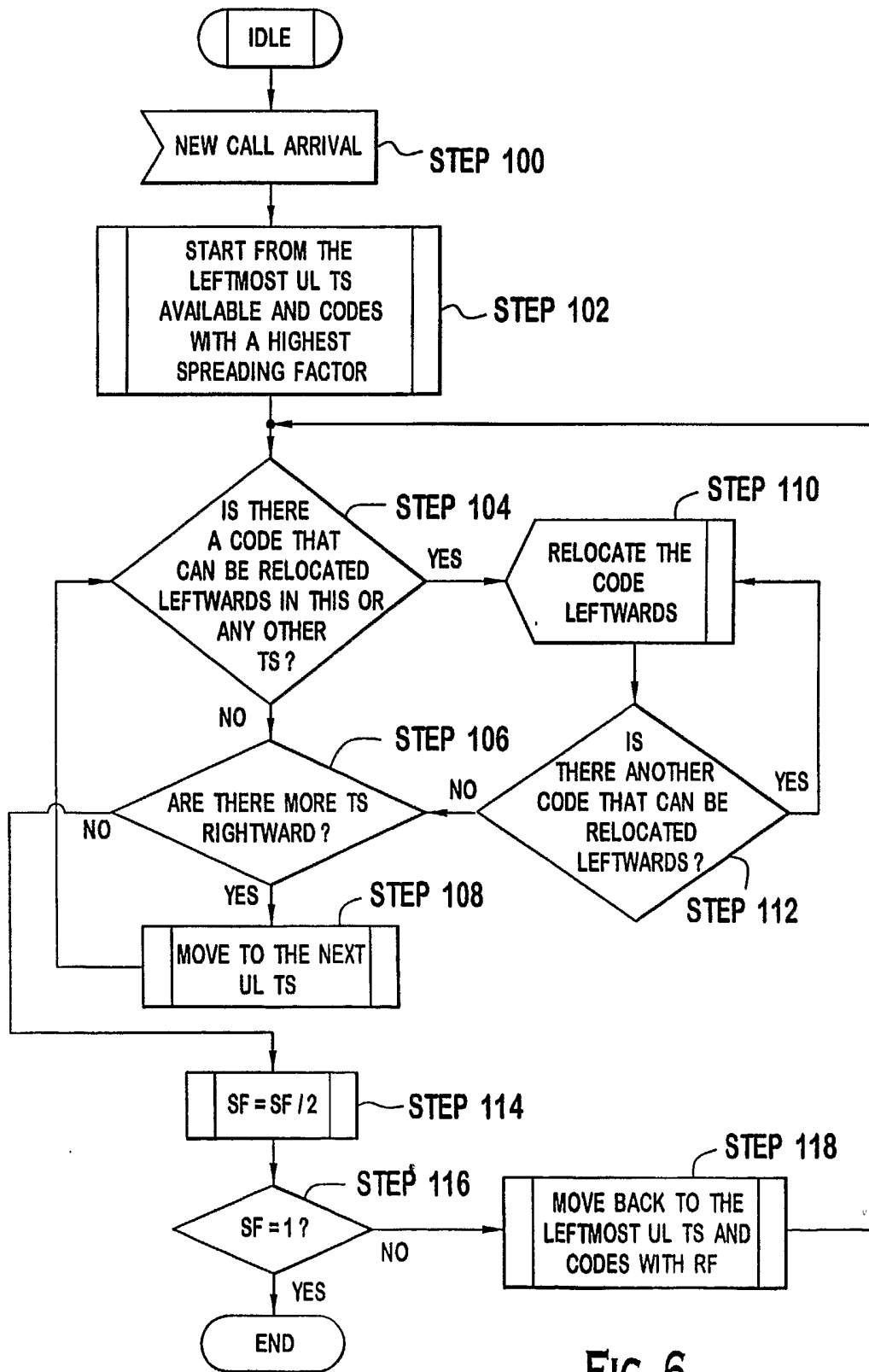


FIG. 6

7/14

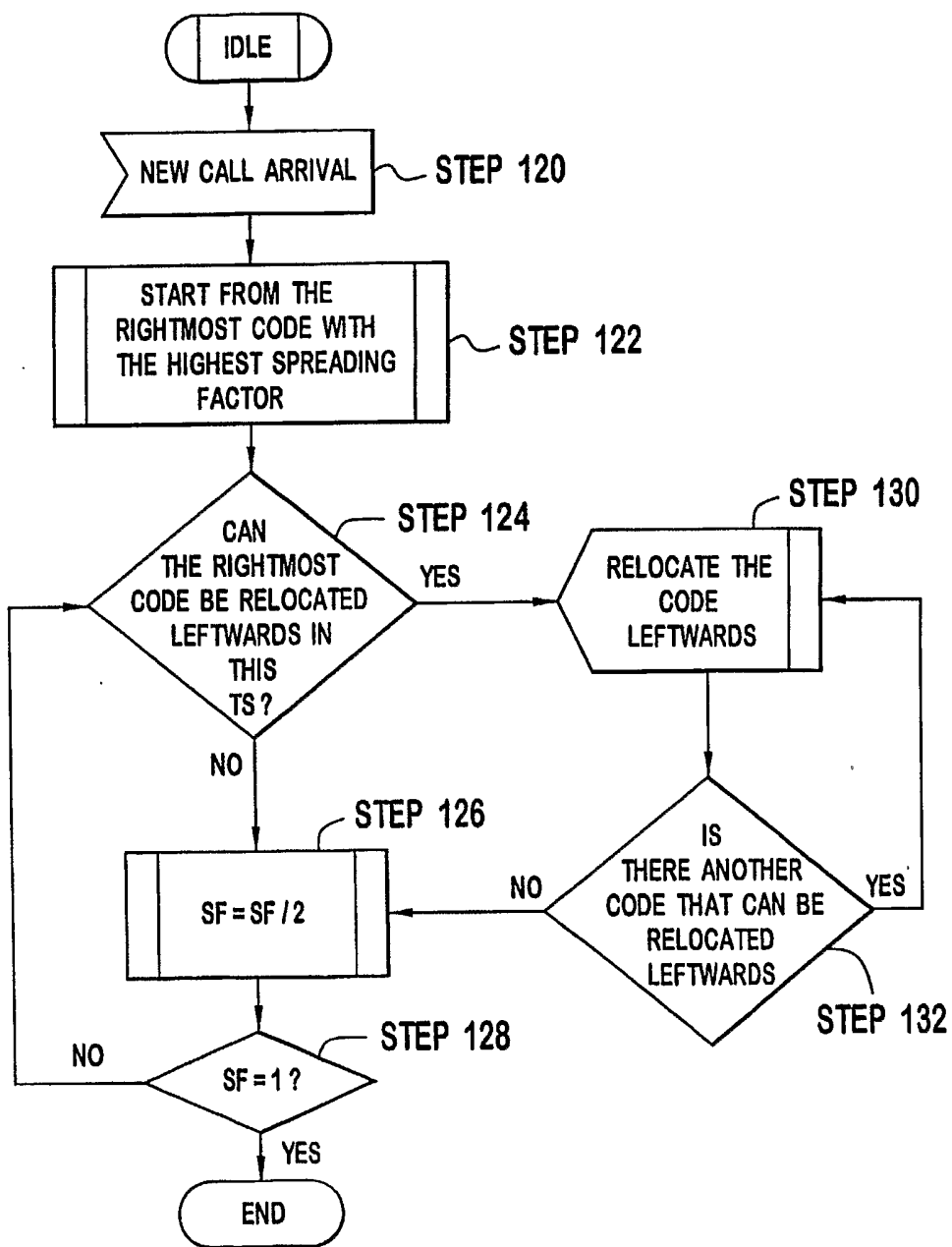


FIG. 7

8/14

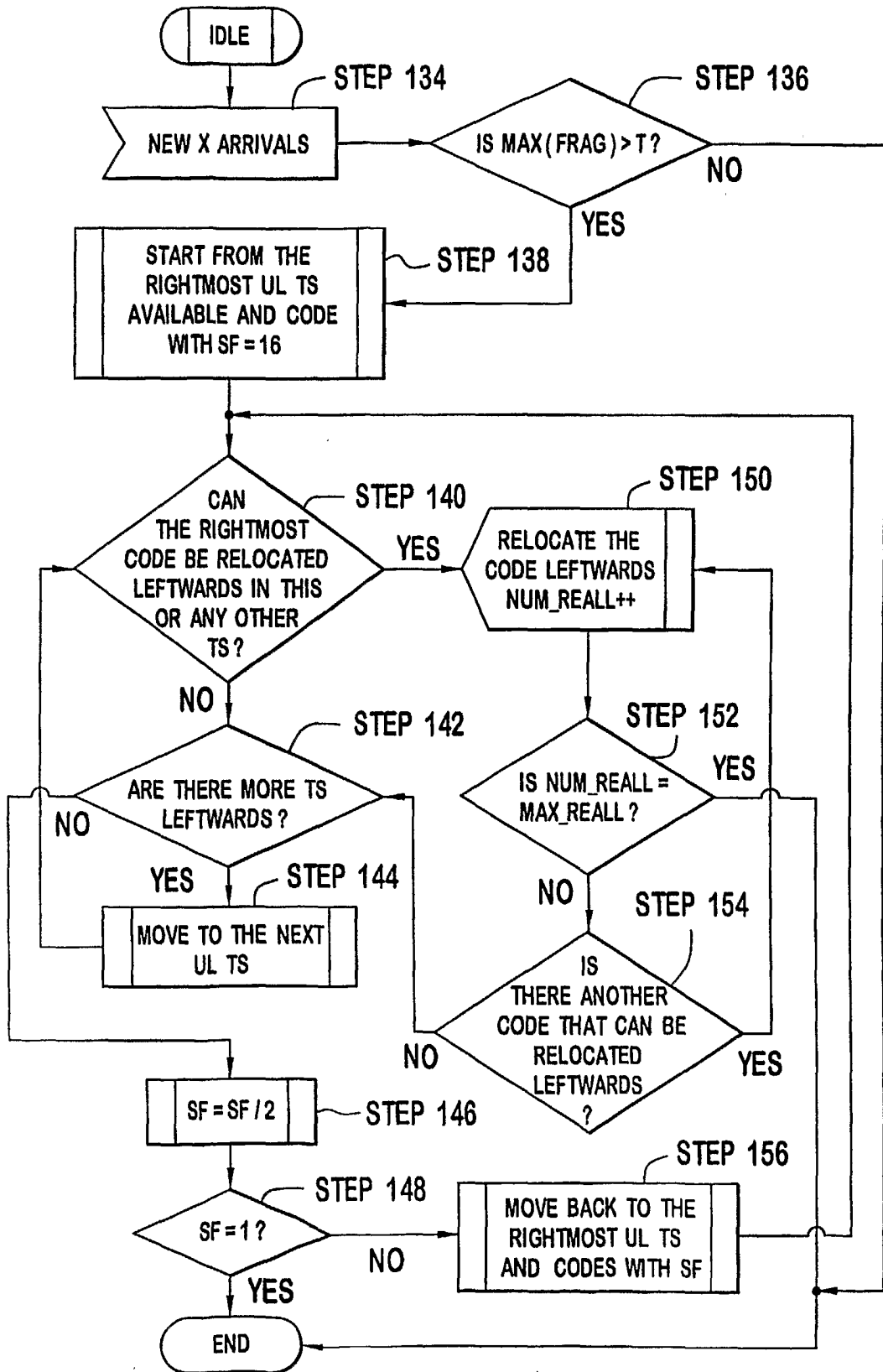


FIG. 8

FIG. 9A

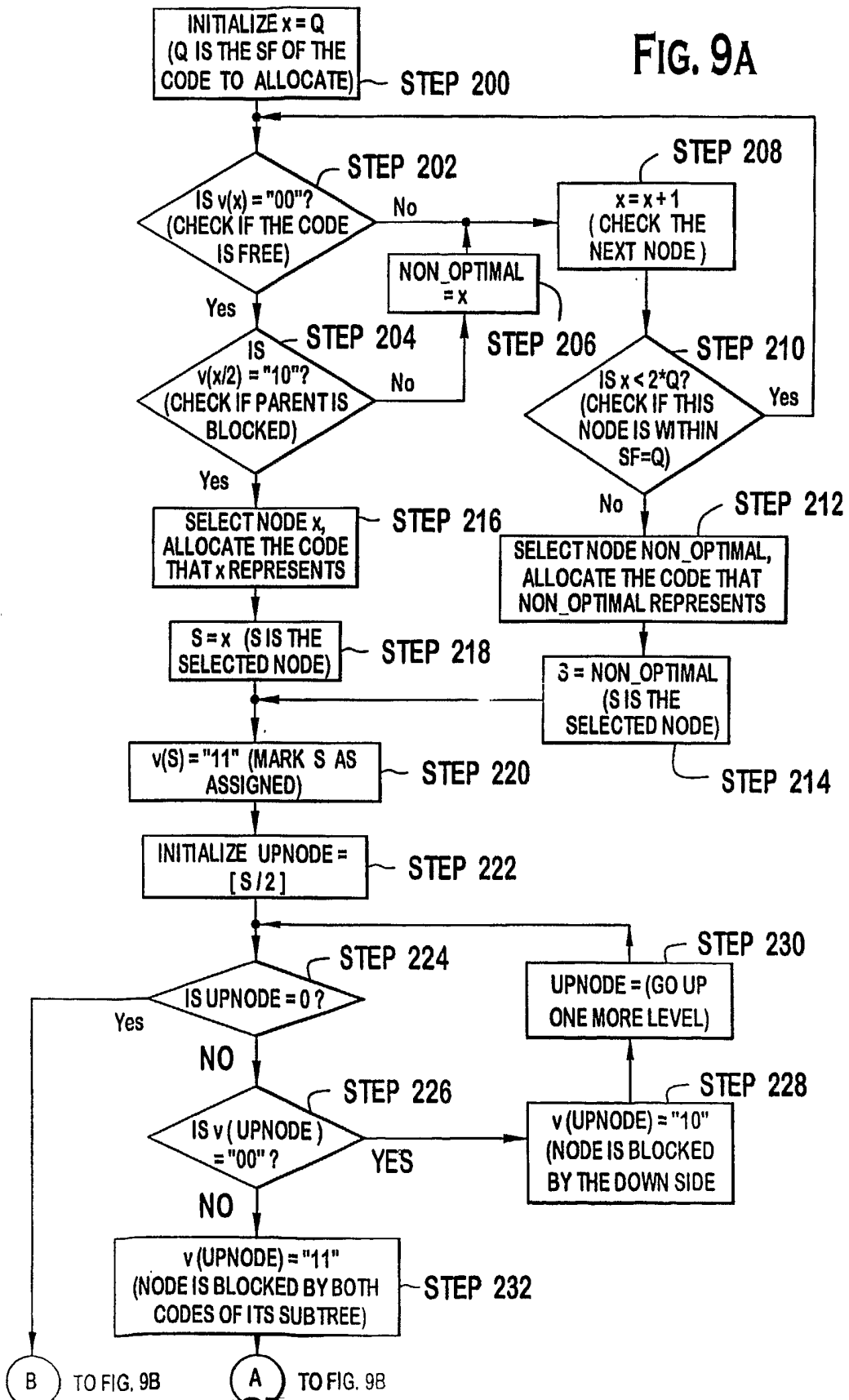
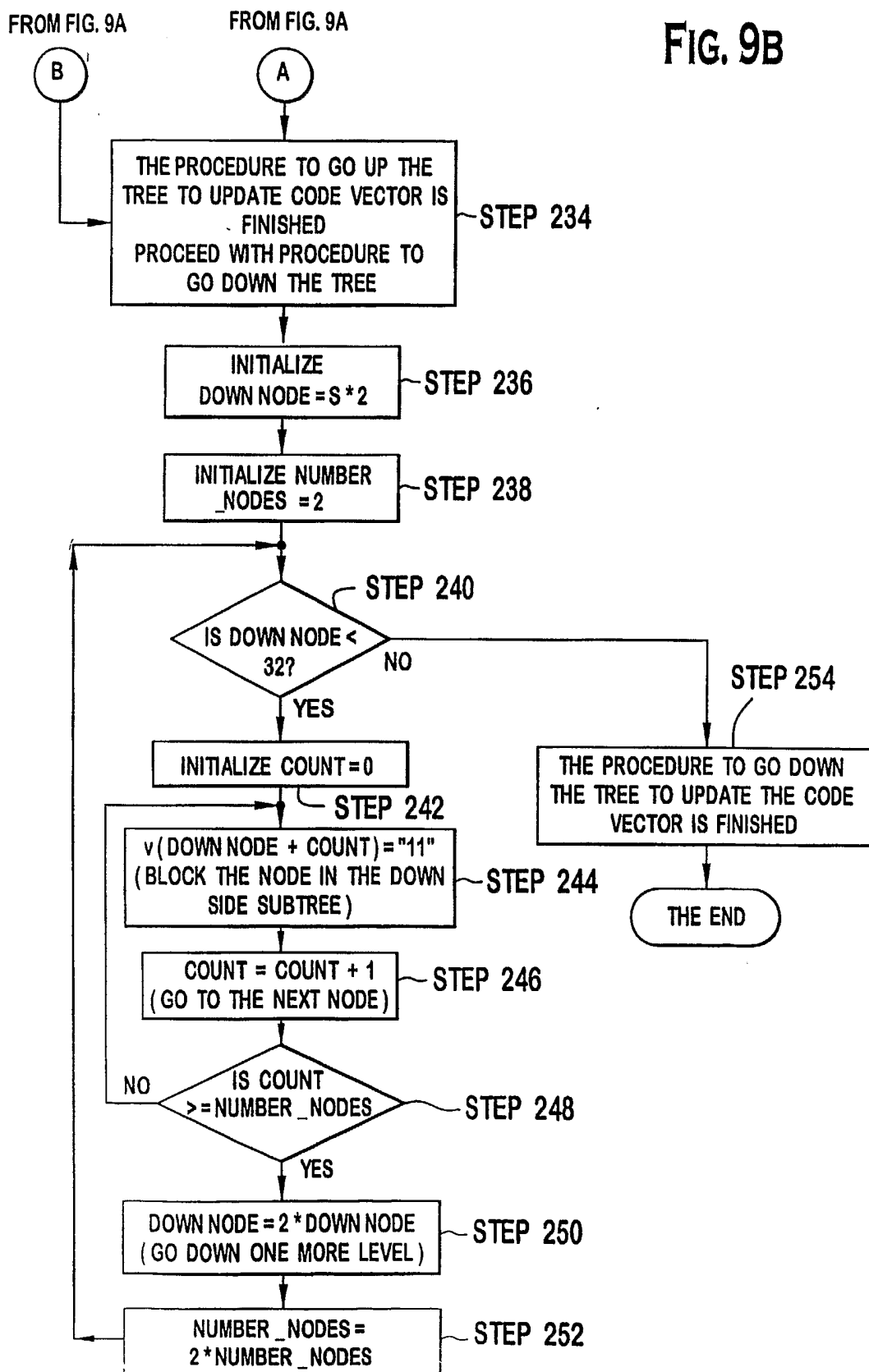


FIG. 9B



11/14

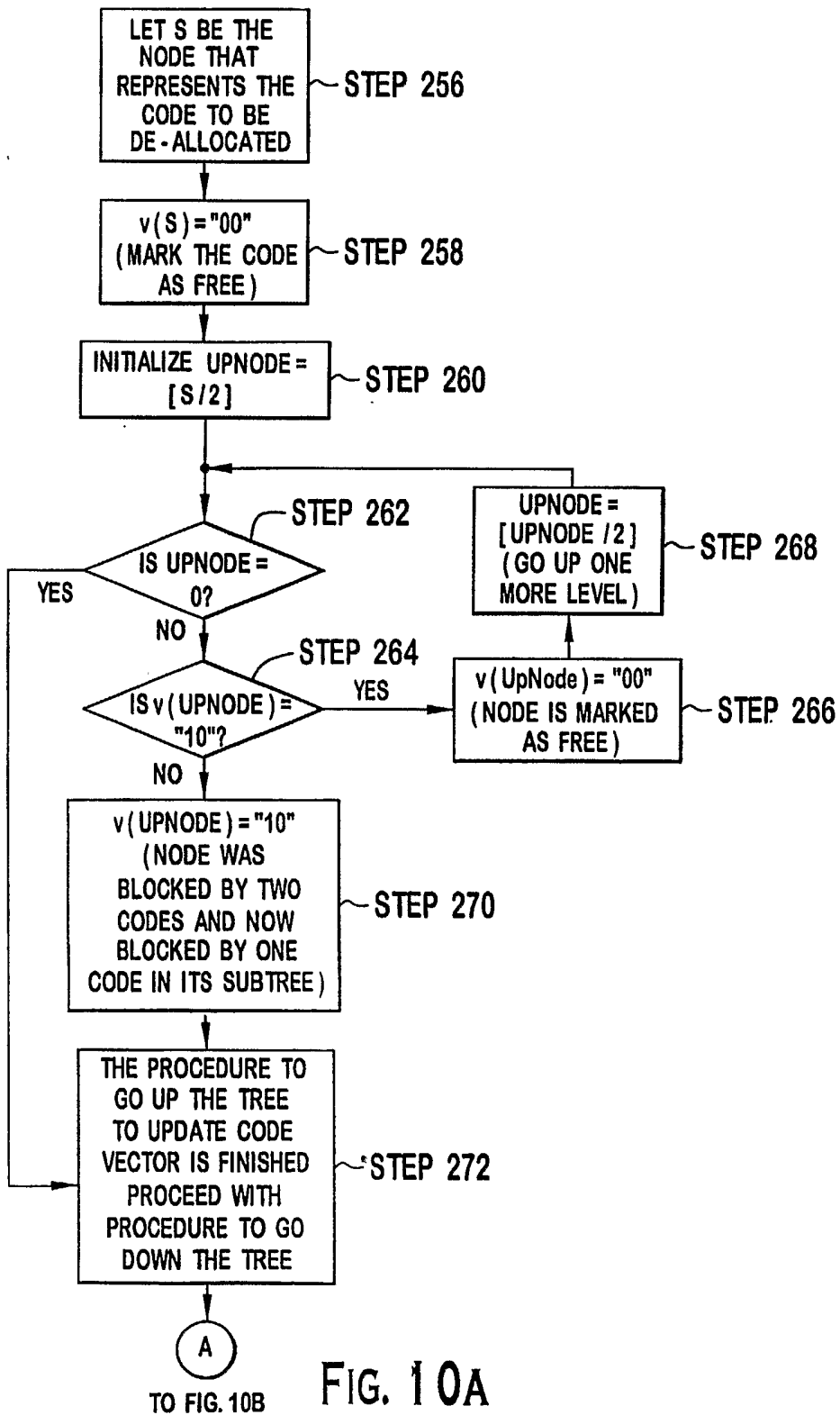


FIG. 10A

12/14

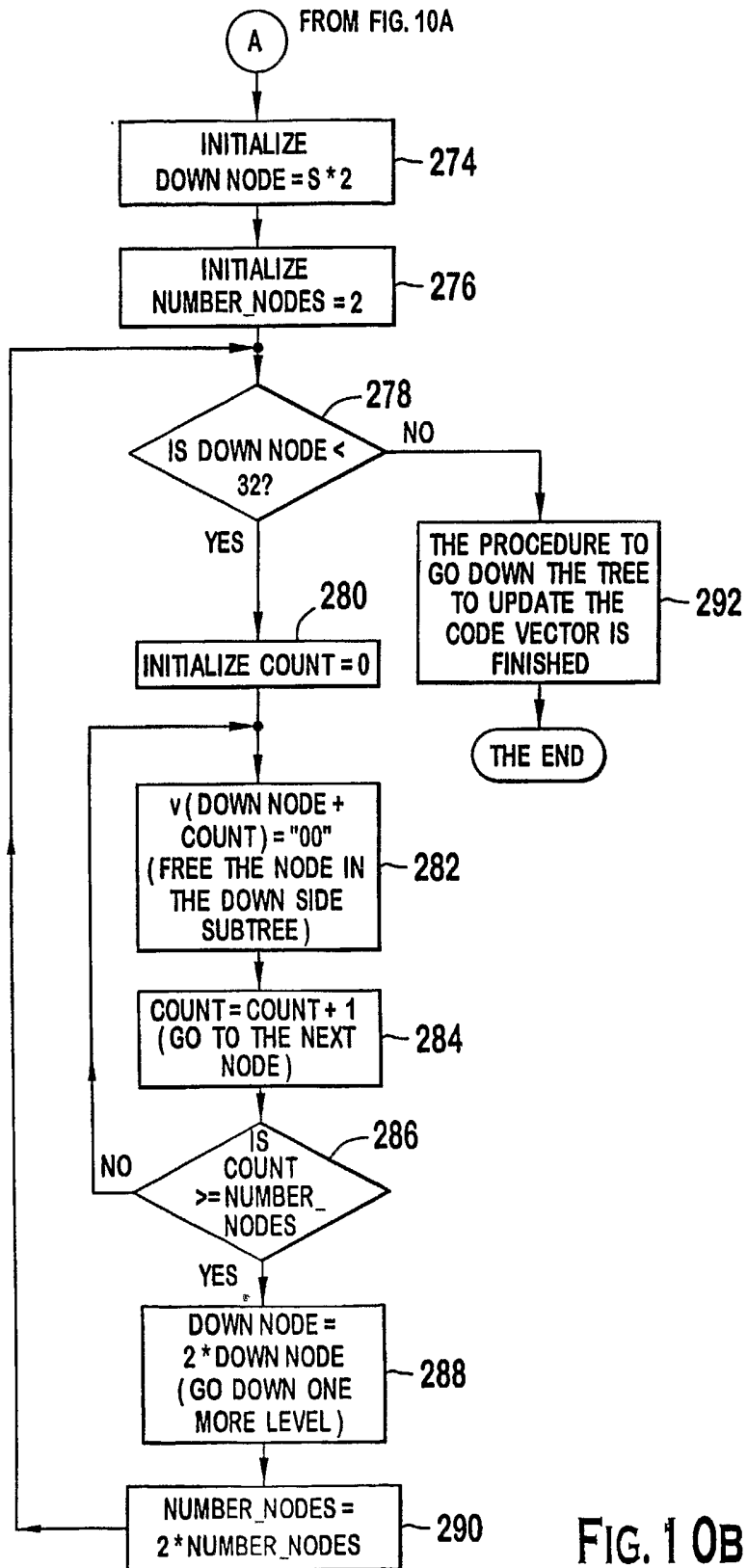
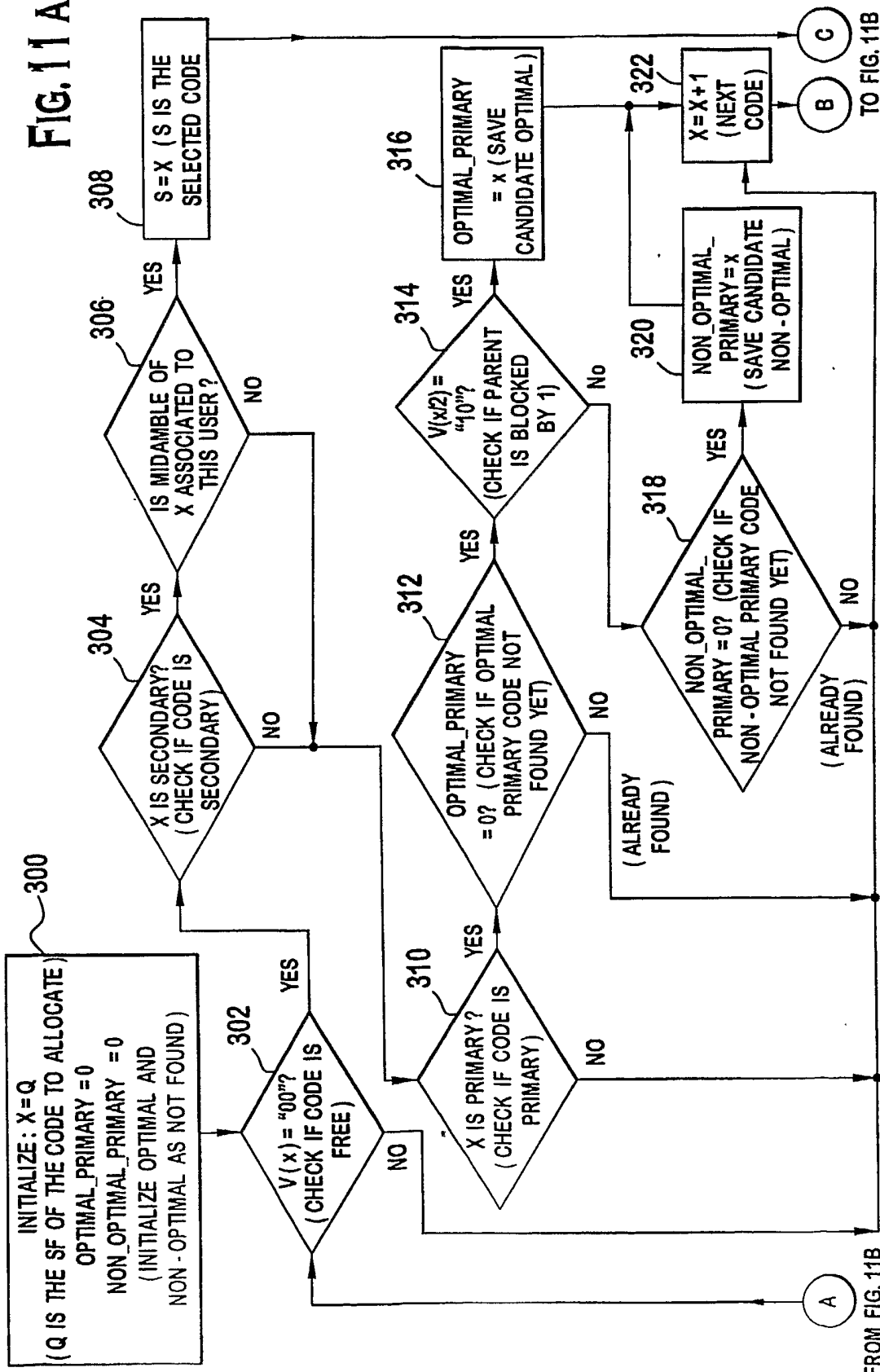


FIG. 10B

FIG. 11A



TO FIG. 11B

FROM FIG. 11B

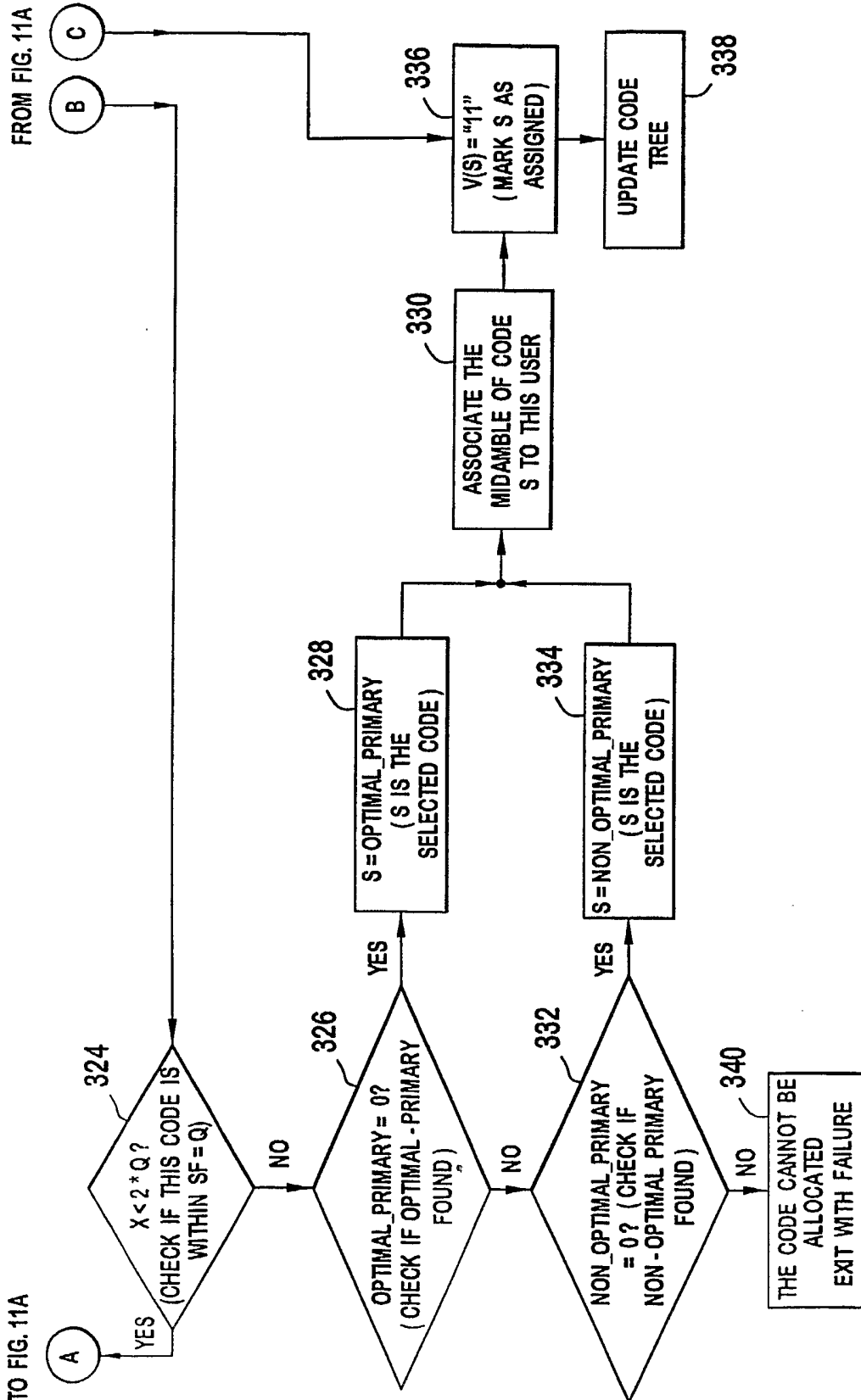


FIG. 11B