



US00D488366S

(12) **United States Design Patent**  
**Seinen**

(10) **Patent No.:** **US D488,366 S**

(45) **Date of Patent:** **\*\* Apr. 13, 2004**

(54) **SAWING MACHINE**

(75) Inventor: **Meino Seinen, Zuidlaren (NL)**

(73) Assignee: **Ferm B.V., Genemuiden (NL)**

(\*\*) Term: **14 Years**

(21) Appl. No.: **29/159,765**

(22) Filed: **Apr. 26, 2002**

(30) **Foreign Application Priority Data**

Oct. 30, 2001 (WO) ..... DM/057789

(51) **LOC (7) Cl.** ..... **08-03**

(52) **U.S. Cl.** ..... **D8/64**

(58) **Field of Search** ..... D8/61, 62, 64,  
D8/68; 30/272.1, 374, 375, 376, 377, 388,  
392, 394, 500; 173/15, 47, 48, 109, 170,  
216, 217; 310/47, 50; 408/241 R, 241 S;  
451/358; 409/182

(56) **References Cited**

**U.S. PATENT DOCUMENTS**

5,813,805 A \* 9/1998 Kopras ..... 408/241 R

5,902,080 A \* 5/1999 Kopras ..... 409/182

6,048,260 A \* 4/2000 Kopras ..... 451/358

D439,484 S \* 3/2001 Adler et al. .... D8/69

\* cited by examiner

*Primary Examiner*—Doris V. Coles

*Assistant Examiner*—Elizabeth A. Albert

(74) *Attorney, Agent, or Firm*—Jeffrey D. Myers

(57) **CLAIM**

The ornamental design for a sawing machine, as shown and described.

**DESCRIPTION**

FIG. 1 is a side perspective view of the sawing machine embodying my new design;

FIG. 2 is an opposite side perspective view of the sawing machine of FIG. 1 embodying my new design;

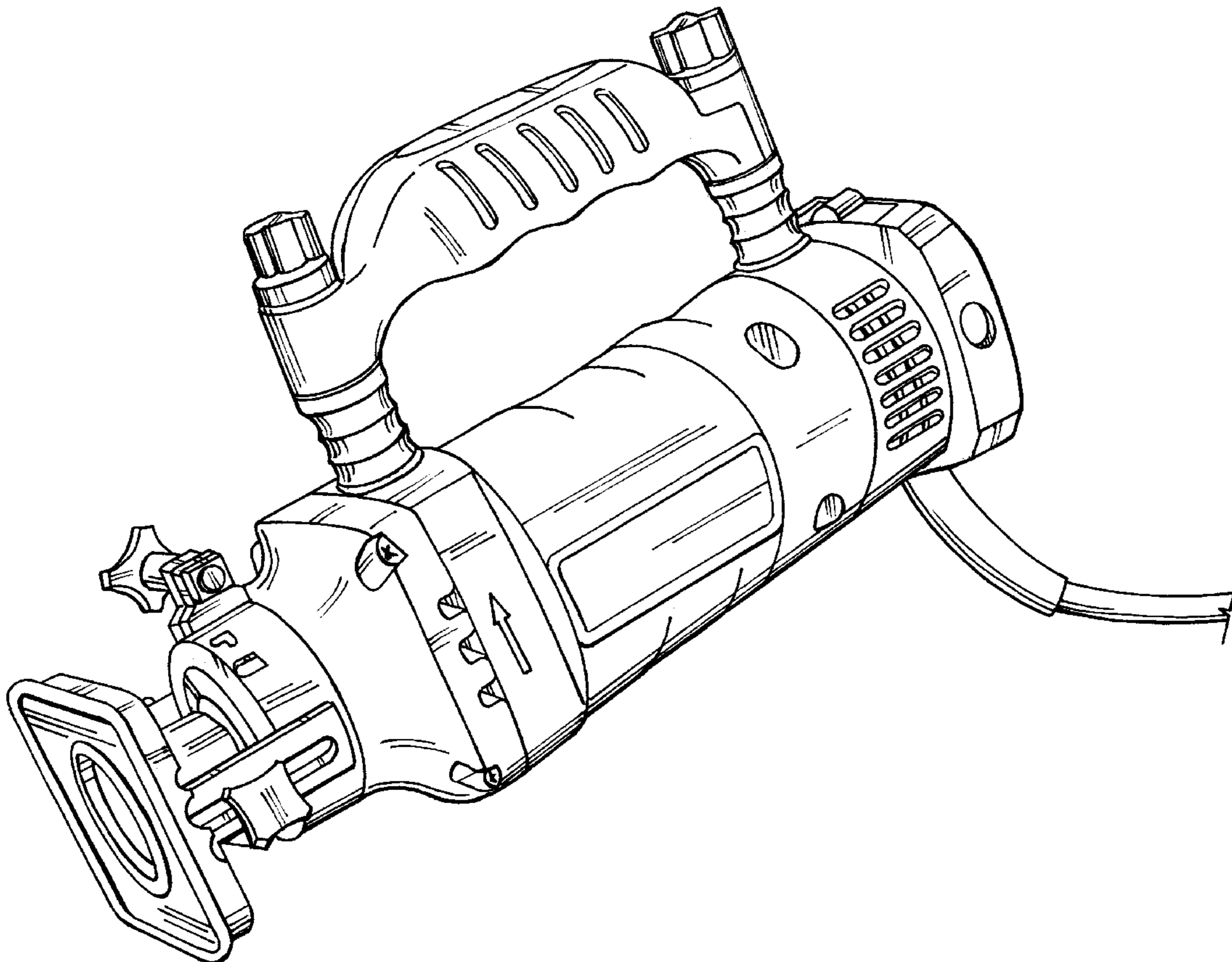
FIG. 3 is a front end perspective view of the sawing machine of FIG. 1 embodying my new design;

FIG. 4 is a base end perspective view of the sawing machine of FIG. 1 embodying my new design;

FIG. 5 is another side perspective view of the sawing machine of FIG. 1 embodying my new design; and,

FIG. 6 is the opposite side perspective view of the sawing machine of FIG. 1 embodying my new design.

**1 Claim, 6 Drawing Sheets**



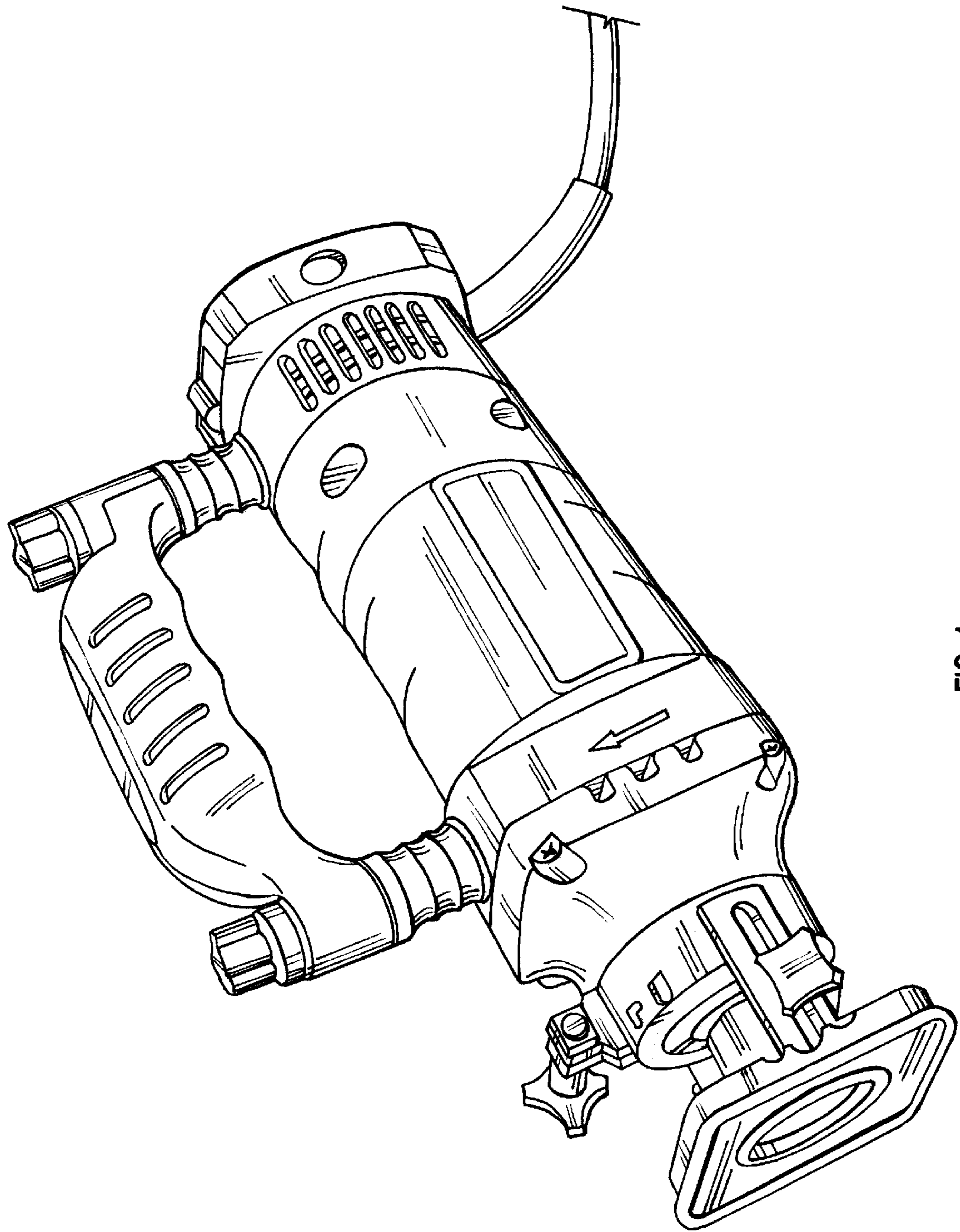


FIG-1

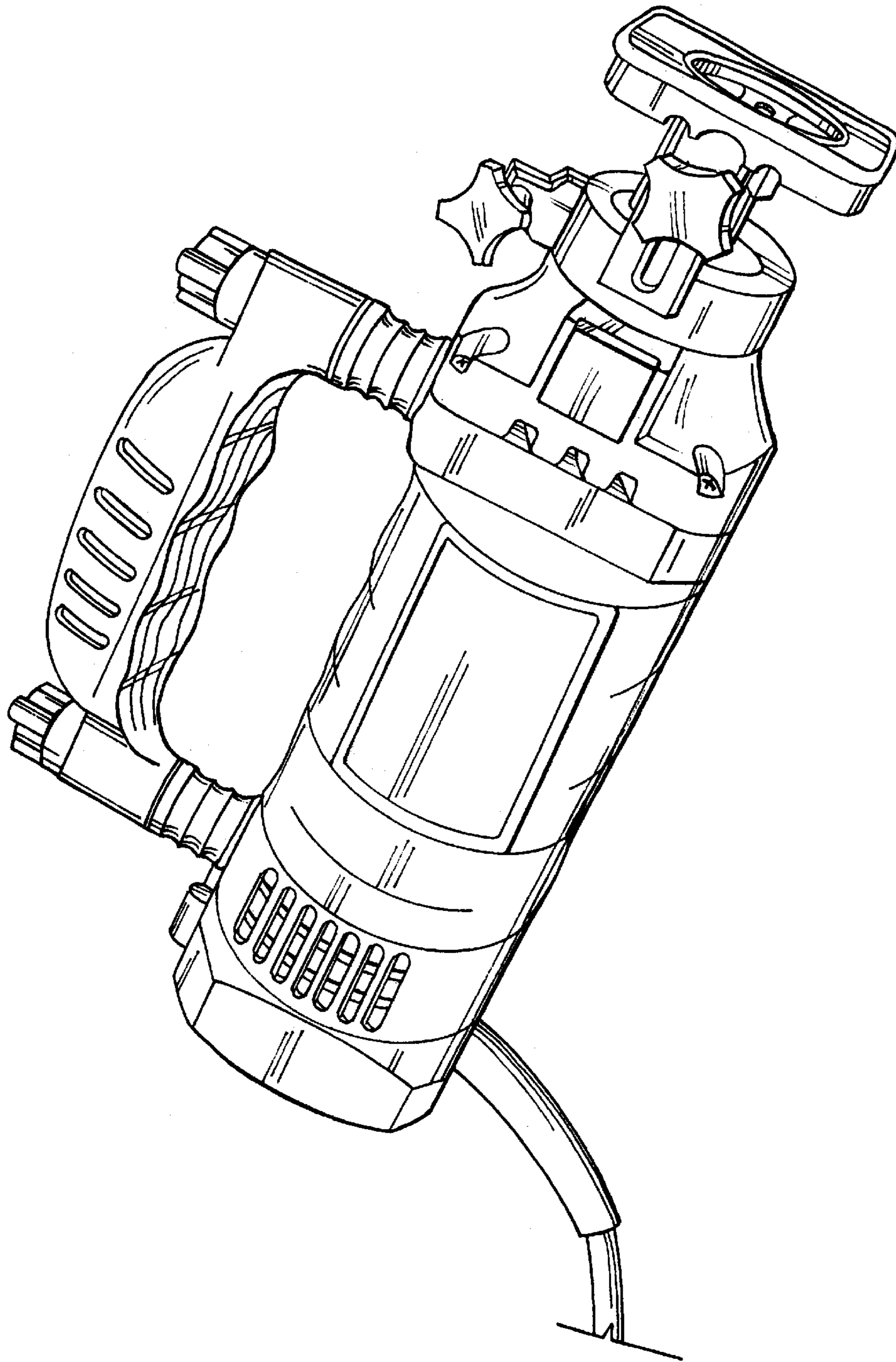


FIG-2

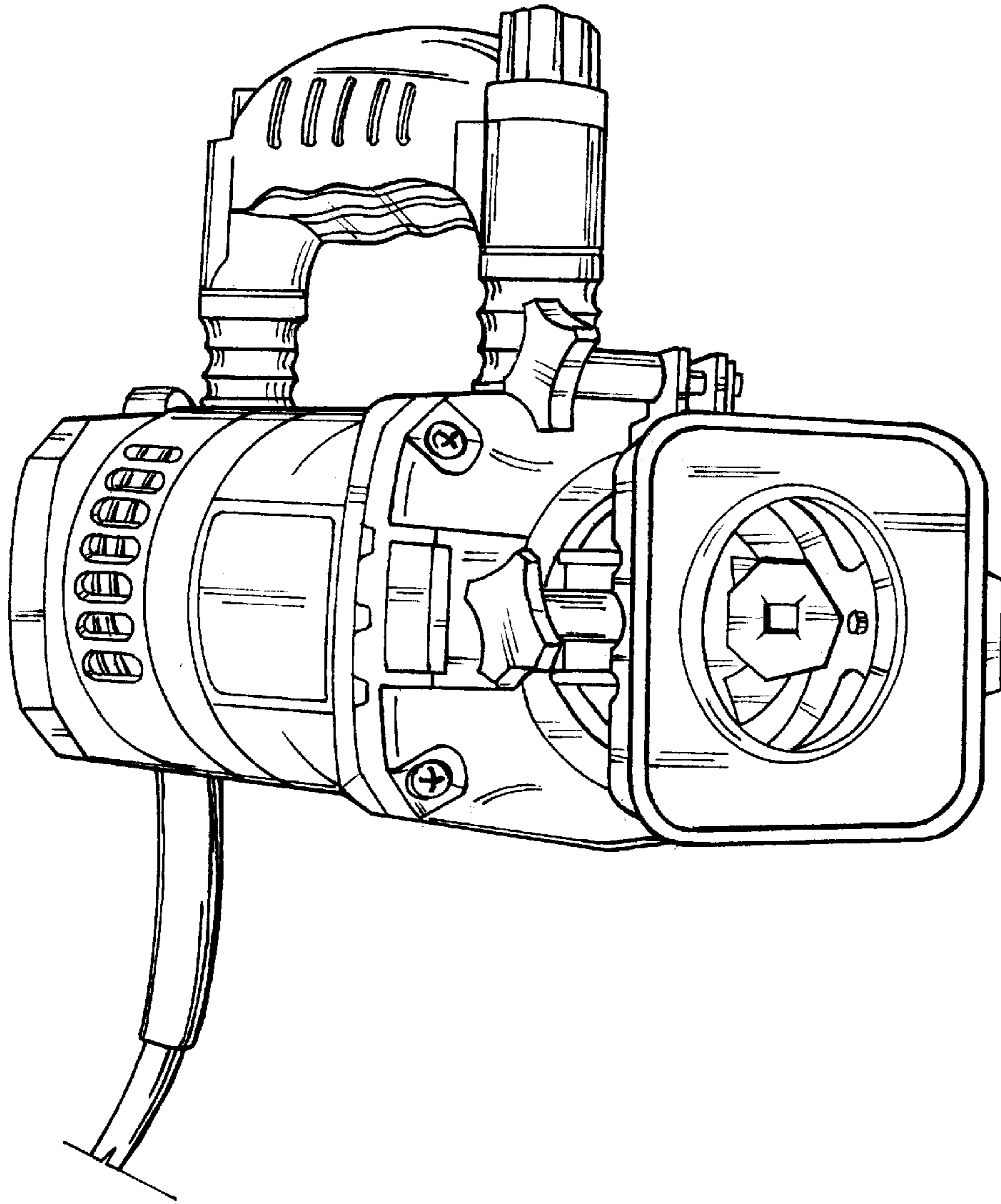


FIG-3

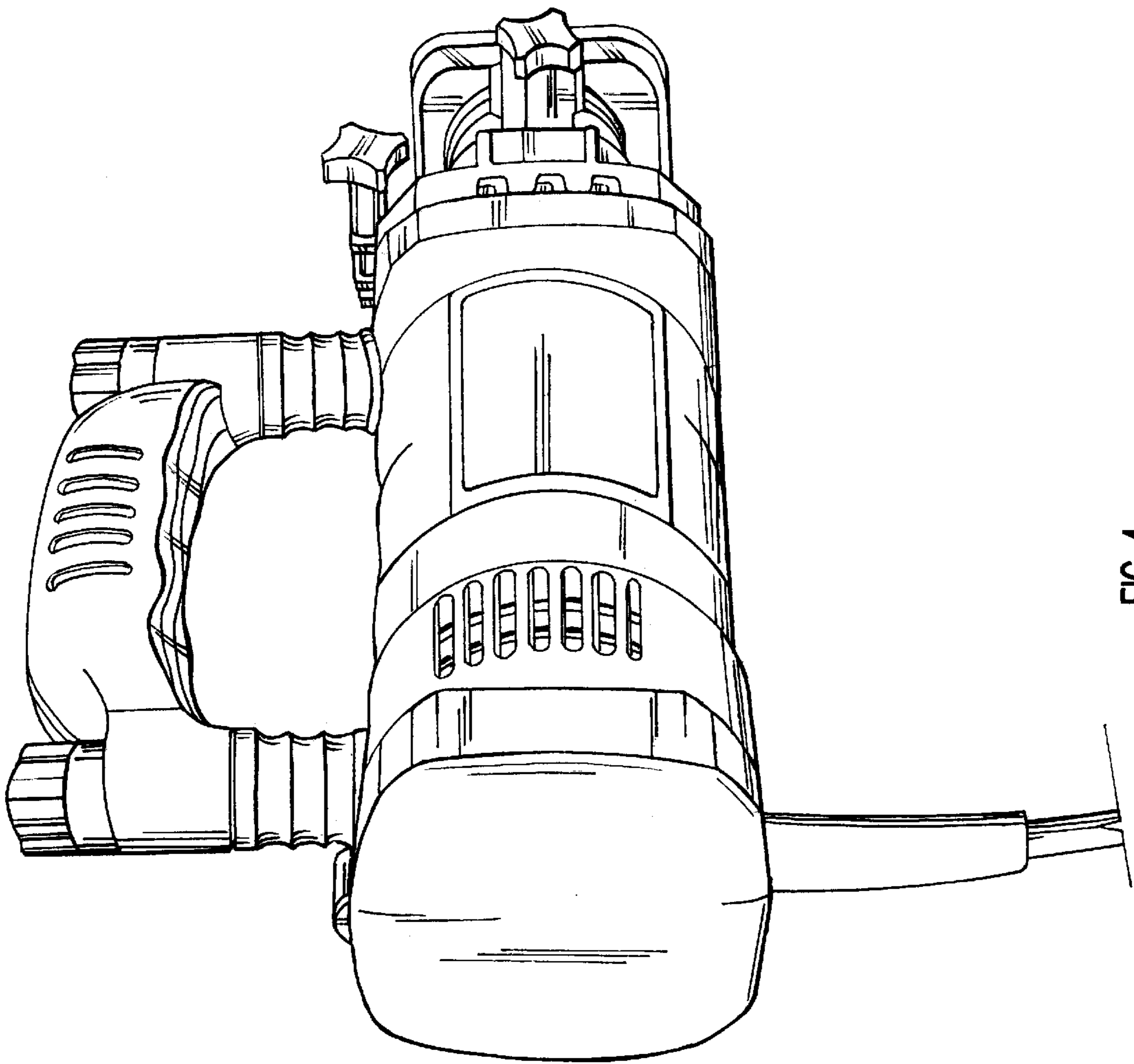


FIG-4

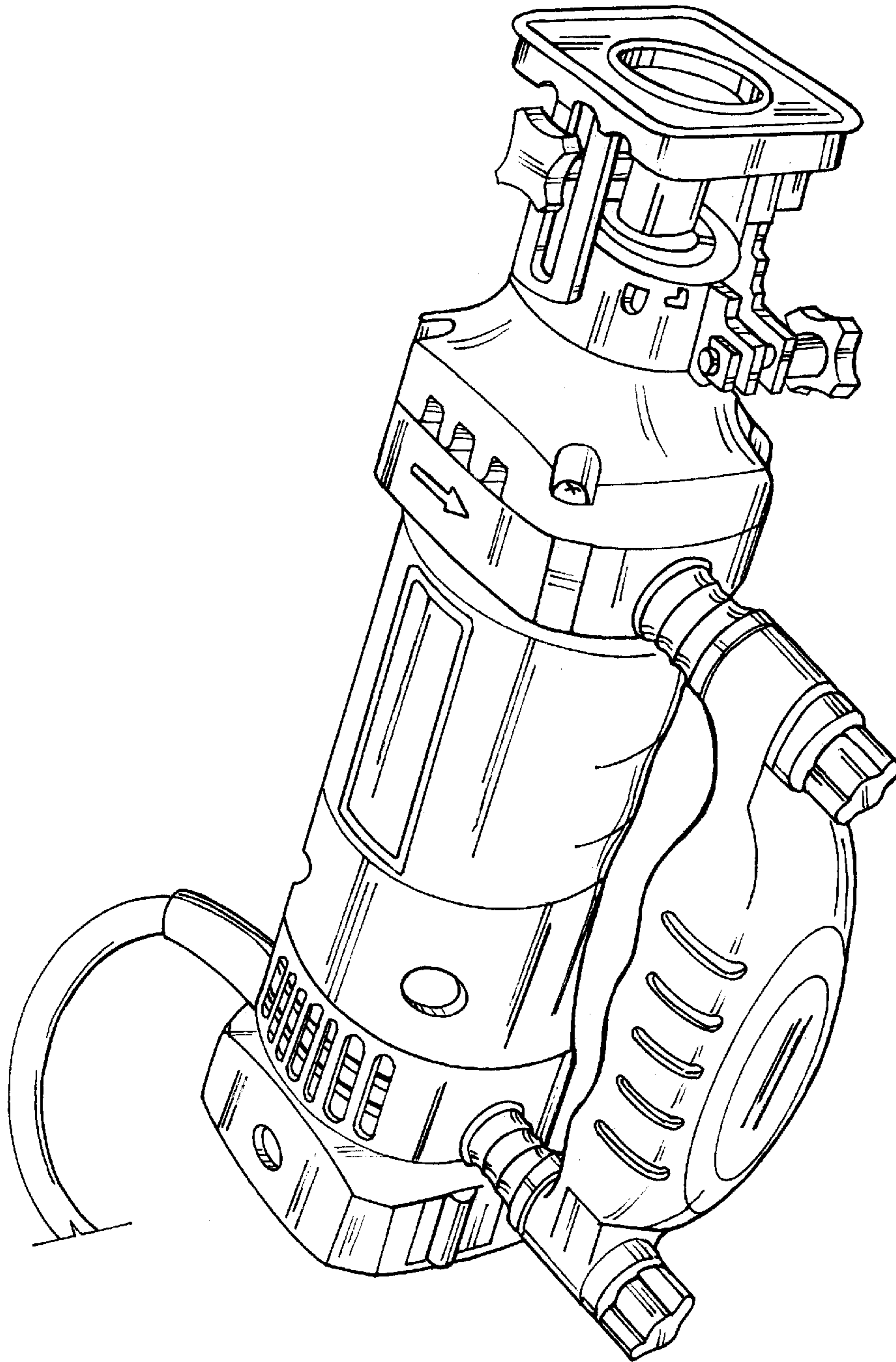


FIG-5

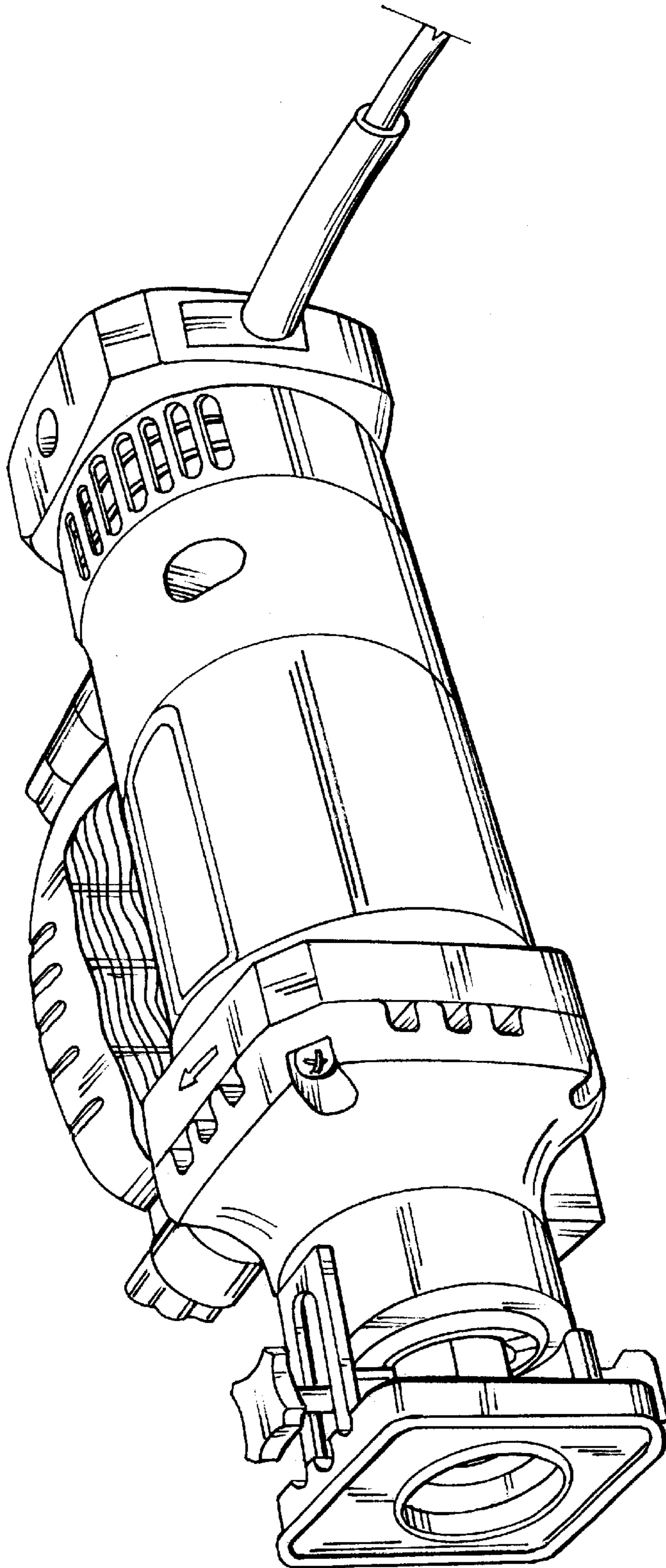


FIG-6