



US00D841373S

(12) **United States Design Patent**
Akana et al.

(10) **Patent No.:** **US D841,373 S**

(45) **Date of Patent:** **** Feb. 26, 2019**

(54) **DISPLAY STAND**

(71) Applicant: **Apple Inc.**, Cupertino, CA (US)

(72) Inventors: **Jody Akana**, San Francisco, CA (US); **Molly Anderson**, San Francisco, CA (US); **Bartley K. Andre**, Palo Alto, CA (US); **Shota Aoyagi**, San Francisco, CA (US); **Anthony Michael Ashcroft**, San Francisco, CA (US); **Marine C. Bataille**, San Francisco, CA (US); **Jeremy Bataillou**, San Francisco, CA (US); **Daniele De Iulius**, San Francisco, CA (US); **Markus Diebel**, San Francisco, CA (US); **M. Evans Hankey**, San Francisco, CA (US); **Julian Hoenig**, San Francisco, CA (US); **Richard P. Howarth**, San Francisco, CA (US); **Jonathan P. Ive**, San Francisco, CA (US); **Julian Jaede**, San Francisco, CA (US); **Duncan Robert Kerr**, San Francisco, CA (US); **Peter Russell-Clarke**, San Francisco, CA (US); **Benjamin Andrew Shaffer**, San Jose, CA (US); **Mikael Silvano**, San Francisco, CA (US); **Christopher J. Stringer**, Woodside, CA (US); **Sung-Ho Tan**, San Francisco, CA (US); **Clement Tissandier**, San Francisco, CA (US); **Eugene Antony Whang**, San Francisco, CA (US); **Rico Zörkendörfer**, San Francisco, CA (US)

(73) Assignee: **Apple Inc.**, Cupertino, CA (US)

(**) Term: **15 Years**

(21) Appl. No.: **29/635,673**

(22) Filed: **Feb. 1, 2018**

Related U.S. Application Data

(63) Continuation of application No. 29/571,404, filed on Jul. 18, 2016, now Pat. No. Des. 810,478.

(51) **LOC (11) Cl.** **06-06**

(52) **U.S. Cl.**
USPC **D6/677**

(58) **Field of Classification Search**
USPC D6/672, 673, 677, 682.1, 708, 708.17, D6/708.2
CPC A47F 5/0018; A47F 5/0043; A47F 7/00; A47F 7/02; A47F 7/022
See application file for complete search history.

(56) **References Cited**

U.S. PATENT DOCUMENTS

D141,791 S 7/1945 Siegel
D244,857 S 6/1977 Hayes
4,082,183 A 4/1978 Sturm
D268,743 S 4/1983 Lubin

(Continued)

Primary Examiner — Kelley A Donnelly

(74) *Attorney, Agent, or Firm* — Sterne, Kessler, Goldstein & Fox P.L.L.C.

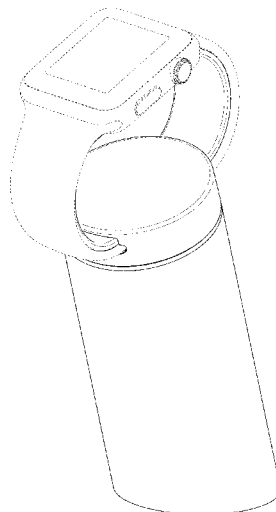
(57) **CLAIM**

The ornamental design for a display stand, as shown and described.

DESCRIPTION

FIG. 1 is a top front perspective view of a display stand showing the claimed design;
FIG. 2 is a front view thereof;
FIG. 3 is a rear view thereof;
FIG. 4 is a left side view thereof;
FIG. 5 is a right side view thereof;
FIG. 6 is a top view thereof; and,
FIG. 7 is a bottom view thereof.
The broken lines in the figures show environment that forms no part of the claimed design.

1 Claim, 5 Drawing Sheets



(56)

References Cited

U.S. PATENT DOCUMENTS

D284,084 S	6/1986	Ferrara, Jr.	D637,596 S	5/2011	Akana et al.
4,707,146 A	11/1987	Wein	D637,601 S	5/2011	Symons
D295,748 S	5/1988	Day et al.	D639,267 S	6/2011	DeLorenzo et al.
4,862,151 A	8/1989	Grauz et al.	D642,121 S	7/2011	Lee et al.
D318,961 S	8/1991	Edelson	D642,172 S	7/2011	Akana et al.
D319,434 S	8/1991	Lund	D643,433 S	8/2011	Hsieh et al.
5,136,557 A	8/1992	Plawker et al.	D645,047 S *	9/2011	Wike D14/447
D337,322 S	7/1993	Yang	D651,606 S	1/2012	Luijben
D338,685 S	8/1993	Dakich	D661,308 S	6/2012	Capozzoli
D339,537 S	9/1993	Willnauer et al.	D662,100 S	6/2012	Van Den Nieuwenhuizen et al.
5,280,229 A	1/1994	Faude et al.	D663,972 S	7/2012	Alexander et al.
D343,745 S	2/1994	Wenger	D670,692 S	11/2012	Akana et al.
D379,758 S	6/1997	Chu Lee	D673,571 S	1/2013	Akana et al.
D392,474 S	3/1998	Frasketi	D673,572 S	1/2013	Akana et al.
D392,958 S	3/1998	Gaete	D673,952 S	1/2013	Toda et al.
D407,408 S	3/1999	Höf	D687,441 S	8/2013	Janzen
D409,416 S	5/1999	Au	D688,671 S	8/2013	Avganım
D414,166 S	9/1999	De Paris	D690,137 S	9/2013	Kikkert et al.
D442,939 S	5/2001	Goldenburg	D690,138 S	9/2013	Kikkert et al.
D450,707 S	11/2001	FrancaVilla et al.	D692,420 S	10/2013	McManigal et al.
D478,740 S	8/2003	Kirshner	D708,270 S	7/2014	Heirakuji et al.
6,629,677 B2	10/2003	Kirshner	D728,576 S	5/2015	David et al.
D483,771 S	12/2003	Esswein	D740,060 S	10/2015	Akana et al.
D488,440 S	4/2004	Senda	D752,907 S	4/2016	Denby et al.
D495,336 S	8/2004	Andre et al.	D753,942 S *	4/2016	Akana D6/682.5
D502,179 S	2/2005	Cha et al.	D756,152 S	5/2016	Schwalbach et al.
D502,338 S	3/2005	Zanghi et al.	D771,614 S *	11/2016	Chang D14/253
D527,018 S	8/2006	Christianson	D775,874 S *	1/2017	Huang D6/677.4
D542,279 S *	5/2007	Chan D14/216	D792,133 S	7/2017	Schwalbach et al.
D543,183 S	5/2007	Cho et al.	D798,636 S *	10/2017	Van Landingham, Jr.
D555,655 S	11/2007	Iu	D810,478 S *	2/2018	Akana D6/677.4
D583,821 S	12/2008	Richter	D815,865 S *	4/2018	Gauggel D6/682
D585,056 S	1/2009	Ekelund	D826,604 S *	8/2018	De Iulius D6/677
D587,703 S	3/2009	Yoon	2006/0250764 A1	11/2006	Howarth et al.
D596,618 S	7/2009	Zha	2009/0156255 A1	6/2009	Shin et al.
D599,792 S	9/2009	Lin	2011/0047844 A1 *	3/2011	Fawcett G08B 13/1445
D612,837 S *	3/2010	Murray D14/216	2011/0084838 A1 *	4/2011	Fawcett A47F 7/024
D618,614 S	6/2010	Symons			40/642.02
D623,188 S	9/2010	Son et al.	2014/0028688 A1	1/2014	Houjou et al.
D626,129 S	10/2010	Lutz	2014/0106608 A1	4/2014	Howarth et al.
D627,777 S	11/2010	Akana et al.			340/568.8

* cited by examiner

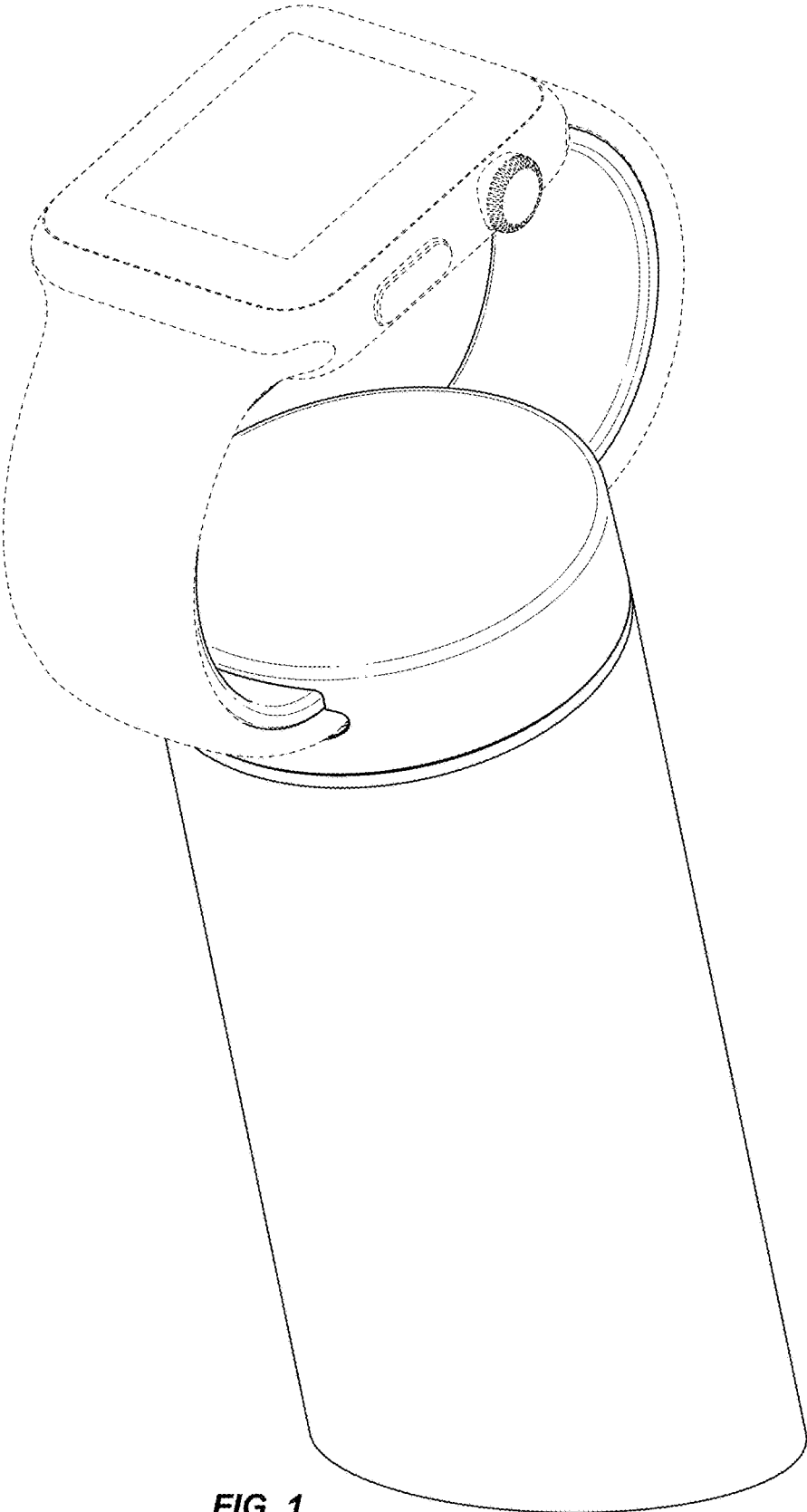


FIG. 1

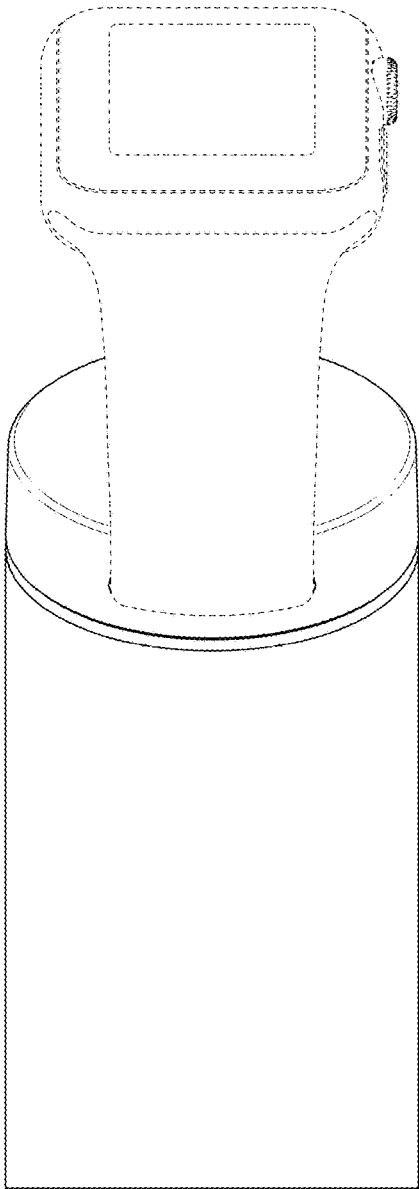


FIG. 2

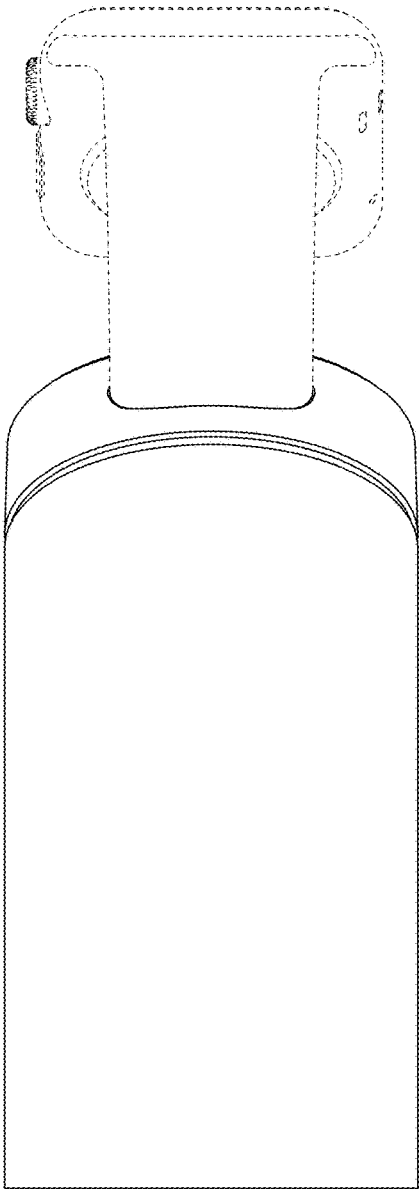


FIG. 3

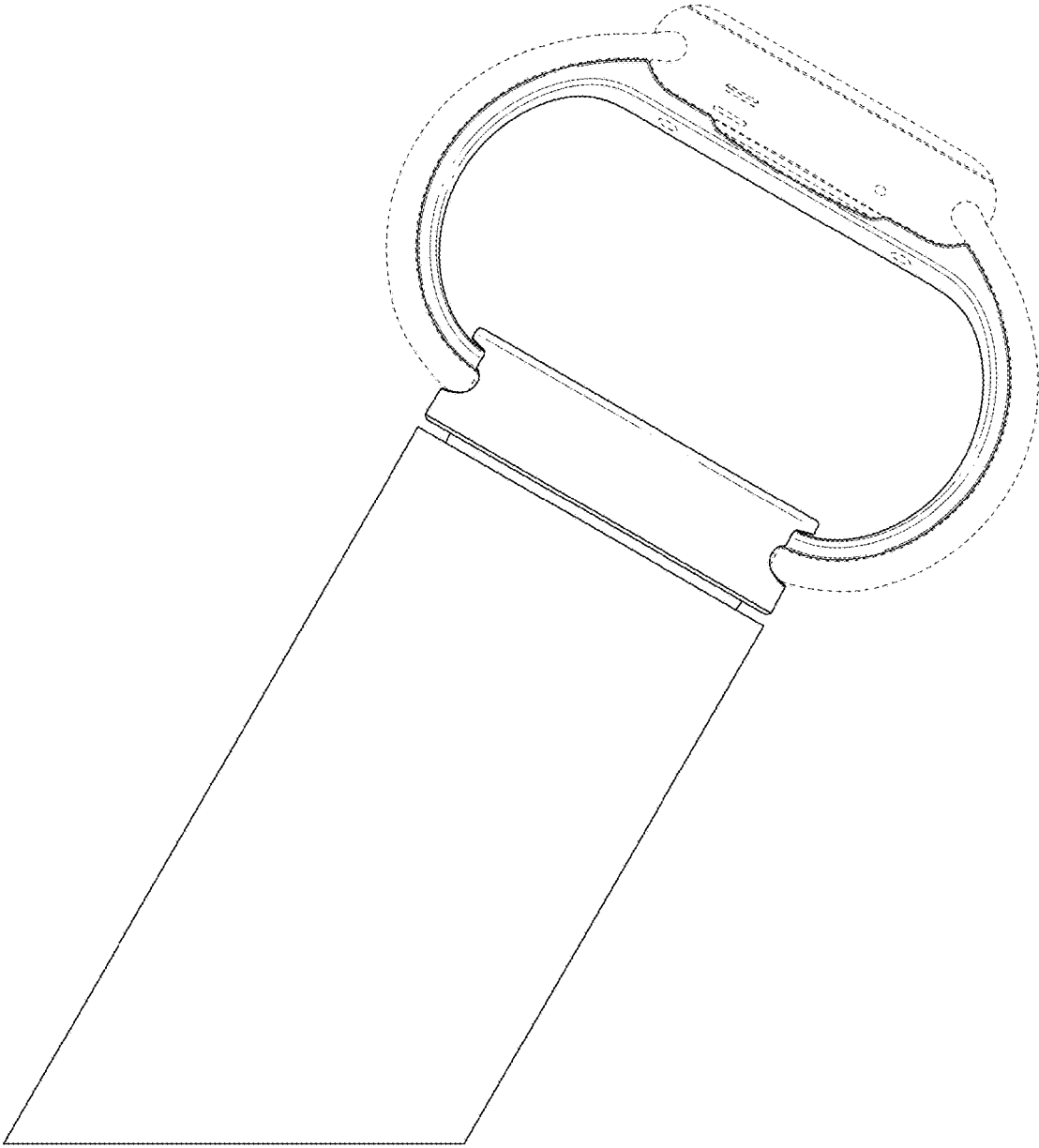


FIG. 4

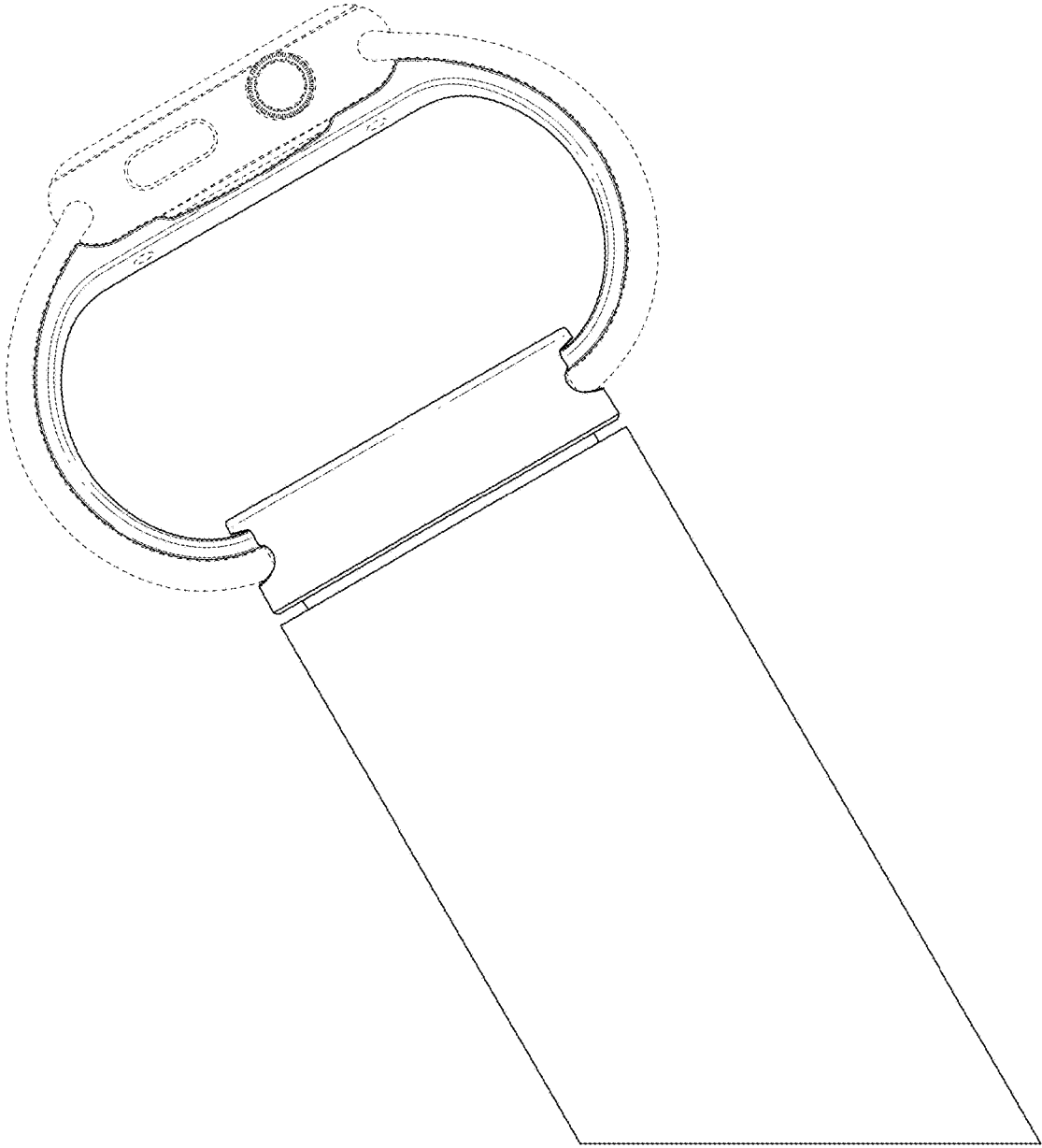


FIG. 5

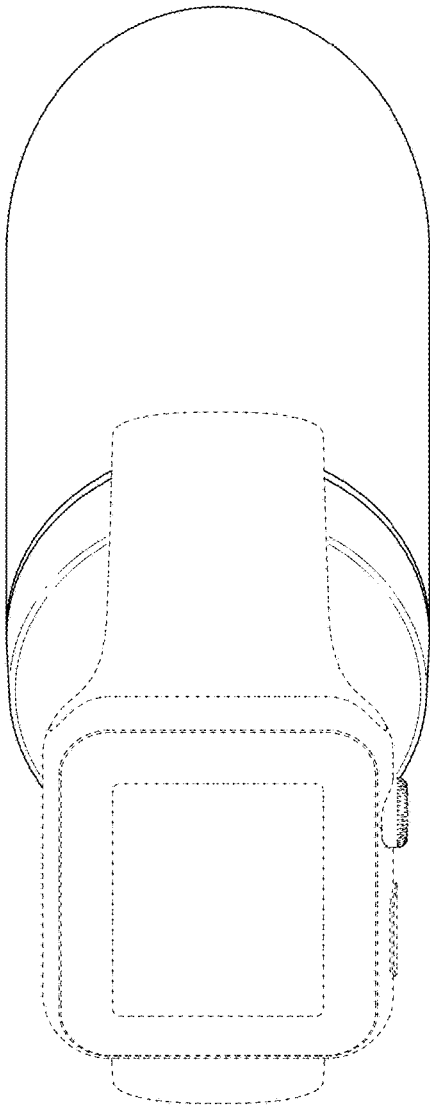


FIG. 6

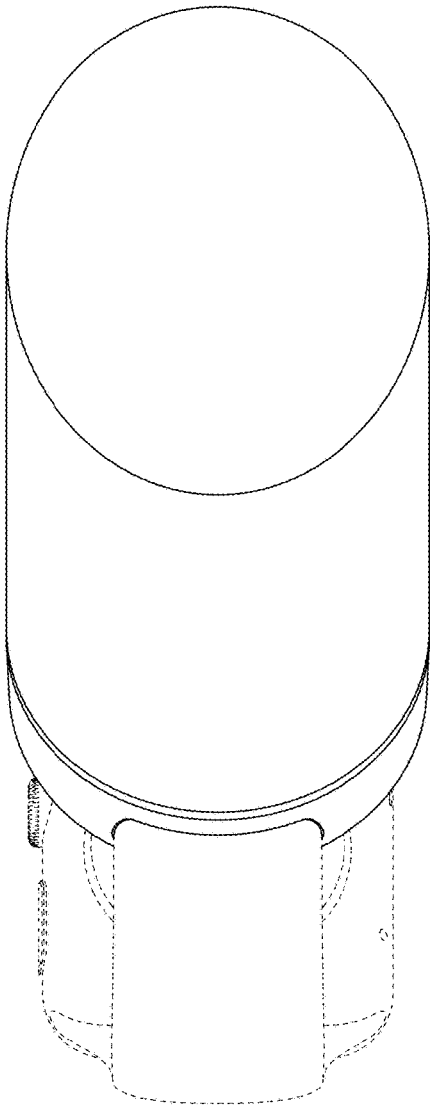


FIG. 7