



US00D752862S

(12) **United States Design Patent**
Riddiford et al.

(10) **Patent No.:** **US D752,862 S**

(45) **Date of Patent:** **** Apr. 5, 2016**

(54) **CASE**

(71) Applicant: **Pelican Products, Inc.**, Torrance, CA (US)

(72) Inventors: **Martin Riddiford**, London (GB);
Robert Butterworth, Teddington (GB);
Andrew Clift, Harpenden (GB)

(73) Assignee: **PELICAN PRODUCTS, INC.**,
Torrance, CA (US)

(**) Term: **14 Years**

(21) Appl. No.: **29/487,016**

(22) Filed: **Apr. 4, 2014**

(51) **LOC (10) Cl.** **03-01**

(52) **U.S. Cl.**
USPC **D3/272; D3/281; D3/279**

(58) **Field of Classification Search**
USPC D3/276, 279, 281, 282, 284, 291, 294,
D3/295, 297, 298, 901, 905, 288, 292, 273,
D3/302, 283; 206/372-379, 1.7;
220/523-528; 190/18 A, 100-127
CPC . B25H 3/02-3/028; B25H 3/00; B25H 3/003;
B25H 3/006

See application file for complete search history.

(56) **References Cited**

U.S. PATENT DOCUMENTS

D422,409 S	4/2000	Klenner et al.	
D425,301 S	5/2000	Sagol	
D437,484 S	* 2/2001	Tiramani et al.	D3/279
D441,954 S	5/2001	Parker	
D454,430 S	3/2002	Sijmons	
D457,724 S	5/2002	Och	
D462,519 S	* 9/2002	Gaydos et al.	D3/276
D465,330 S	11/2002	Parker	
D467,424 S	* 12/2002	Hardigg et al.	D3/279
D467,425 S	* 12/2002	Hardigg et al.	D3/279

D467,426 S	*	12/2002	Hardigg et al.	D3/279
D520,237 S	*	5/2006	Cheng	D3/276
7,533,782 B2	*	5/2009	Parker et al.	220/326
D627,165 S	*	11/2010	Habersetzer	D3/284
D661,858 S	*	6/2012	Lifshitz et al.	D34/25
D702,044 S	*	4/2014	Shitrit et al.	D3/281
D720,928 S		1/2015	Roncato	
D743,169 S		11/2015	Therkorn	
2002/0096844 A1		7/2002	Clegg	
2011/0155526 A1		6/2011	Cheng	
2014/0197059 A1*		7/2014	Evans et al.	206/349
2015/0150348 A1		6/2015	Wax	
2015/0173472 A1		6/2015	Gierke et al.	

OTHER PUBLICATIONS

Pelican Products Homepage, "BA 27 Elite Luggage Weekender", accessed Dec. 18, 2015. (<http://www.pelican.com/us/en/product/watertight-rolling-luggage/elite-luggage/weekender/BA27/>).
US Office Action dated Dec. 24, 2015, from related U.S. Appl. No. 29/525,648.

* cited by examiner

Primary Examiner — Jennifer Rivard

Assistant Examiner — April Rivas

(74) *Attorney, Agent, or Firm* — Foley & Lardner LLP

(57) **CLAIM**

We claim the ornamental design for a case, as shown and described.

DESCRIPTION

FIG. 1 is a perspective view of the case.

FIG. 2 is a front view of the case.

FIG. 3 is a rear view of the case.

FIG. 4 is a left view of the case.

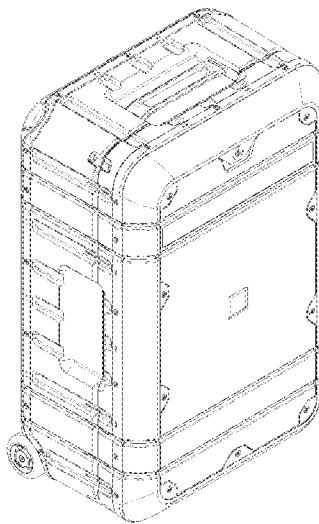
FIG. 5 is a right view of the case.

FIG. 6 is a top view of the case; and,

FIG. 7 is a bottom view of the case.

The broken lines illustrate portions of the case and form no part of the claimed design.

1 Claim, 6 Drawing Sheets



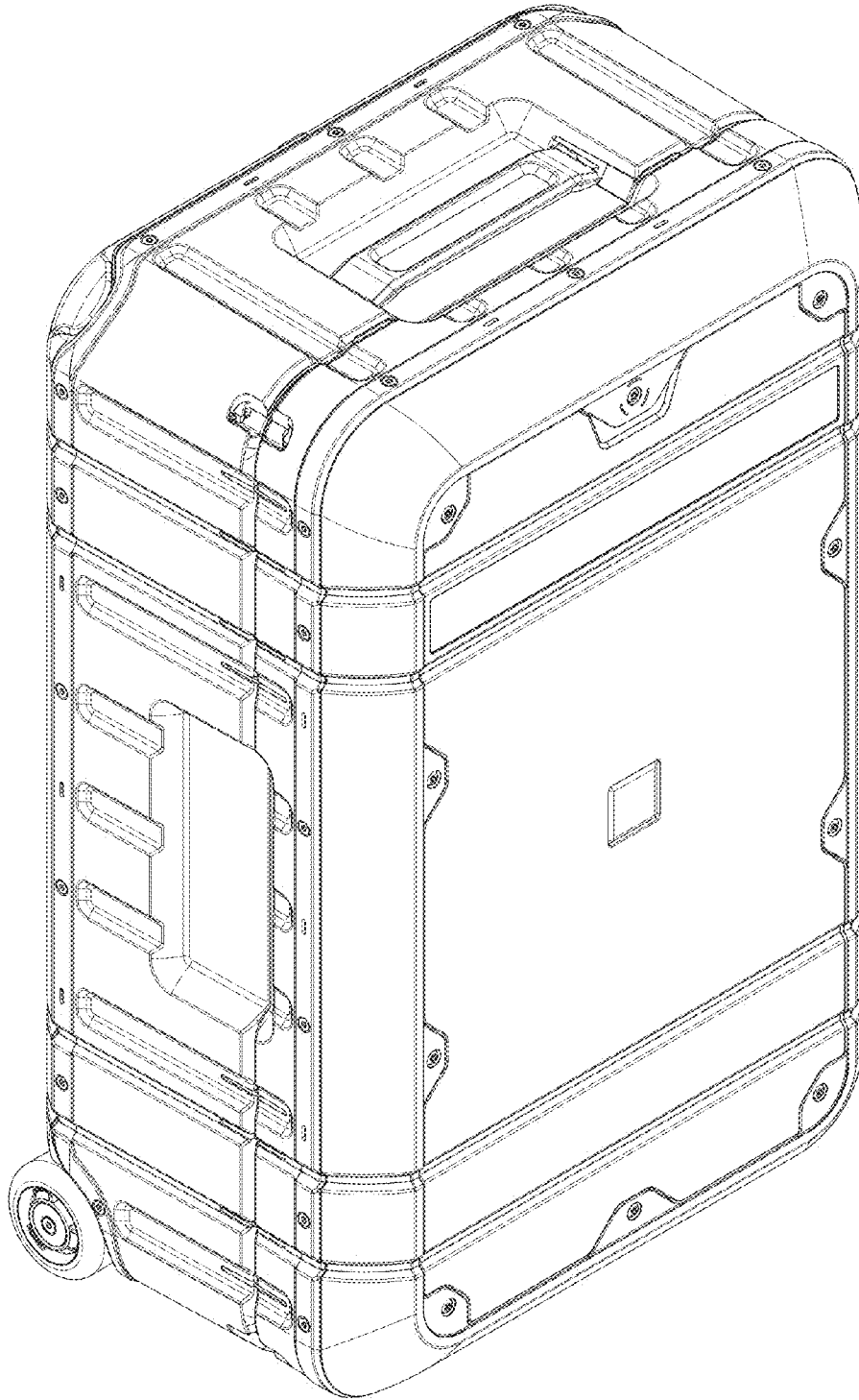


FIG. 1

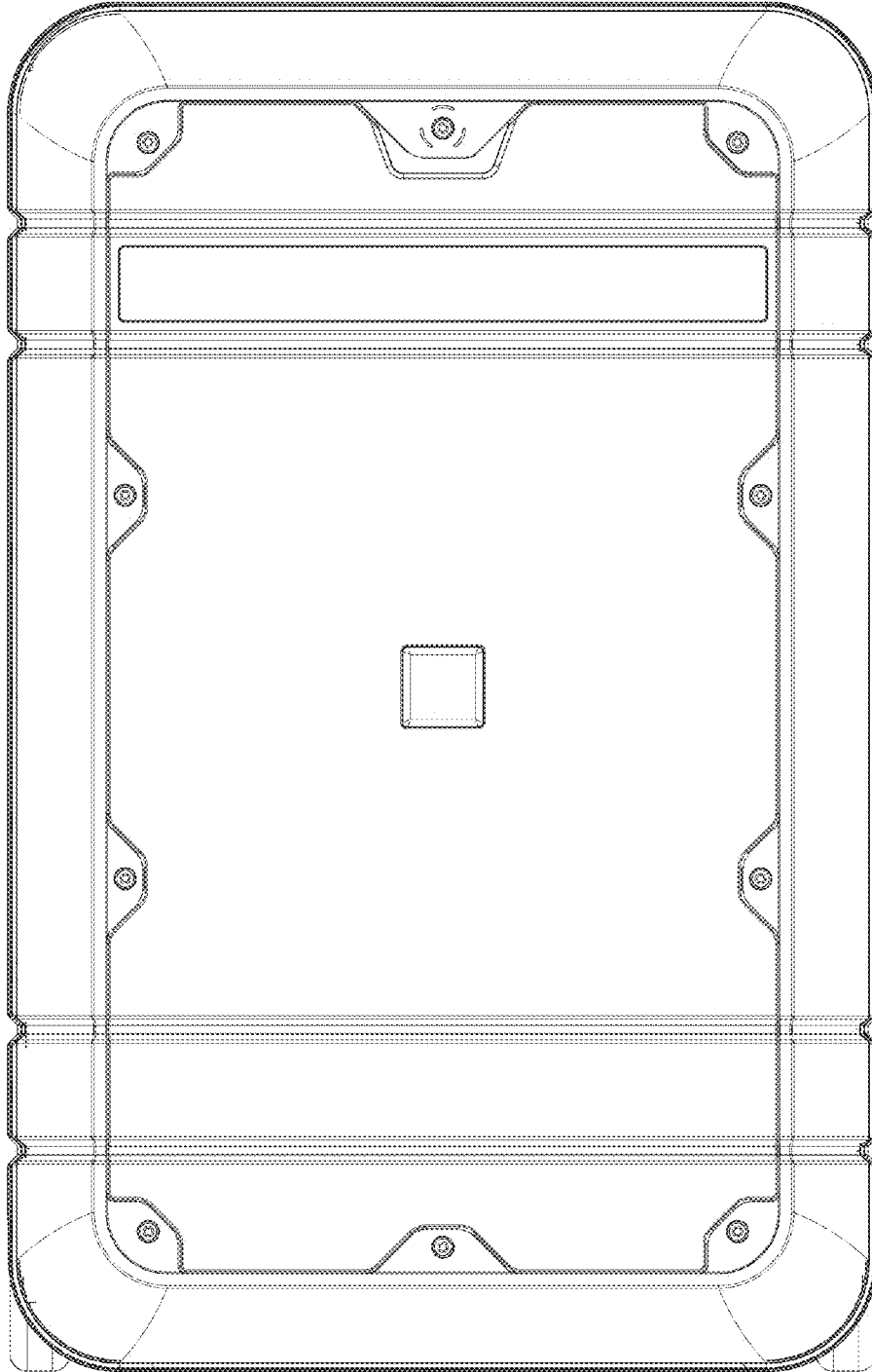


FIG. 2

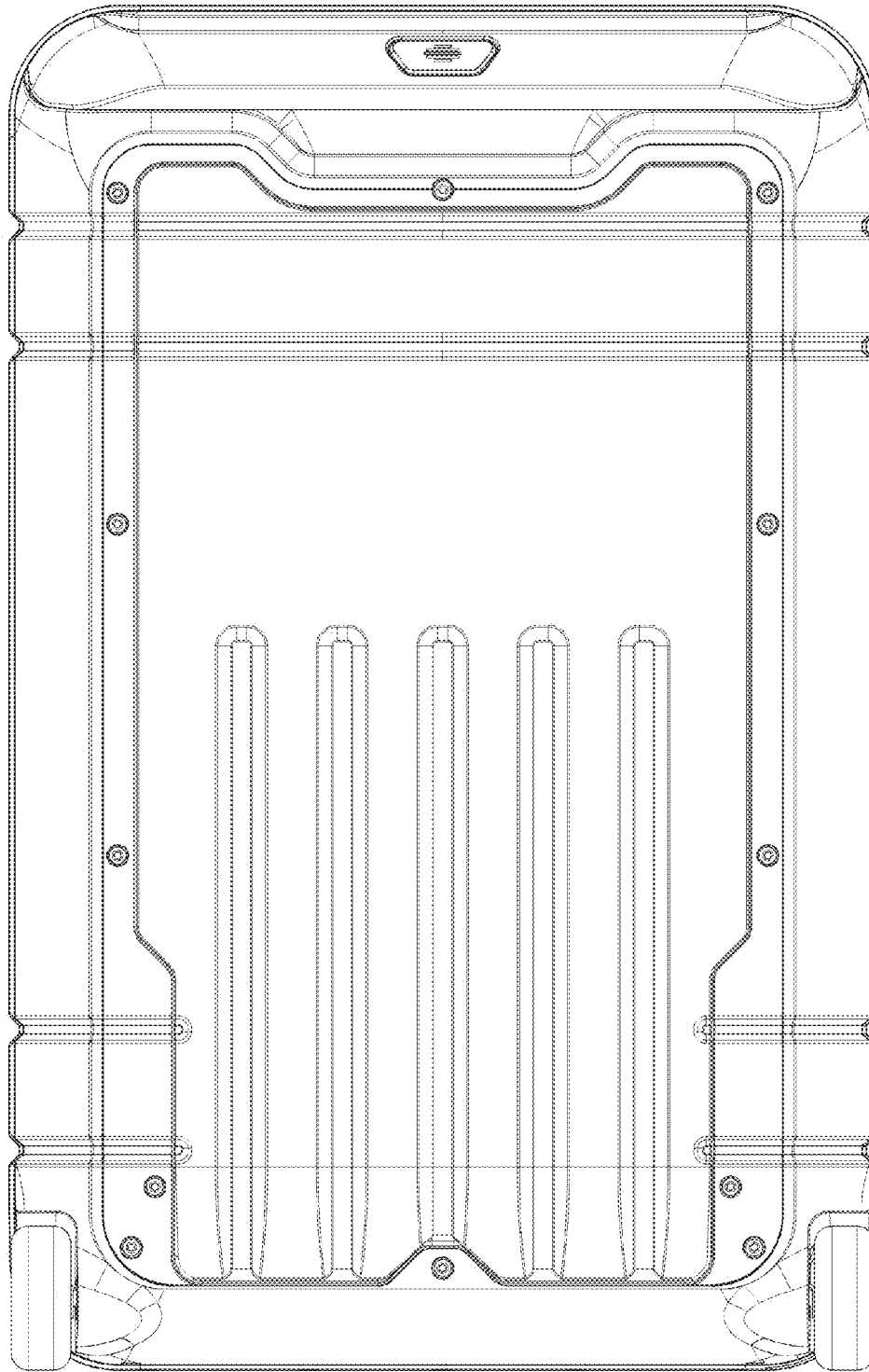


FIG. 3

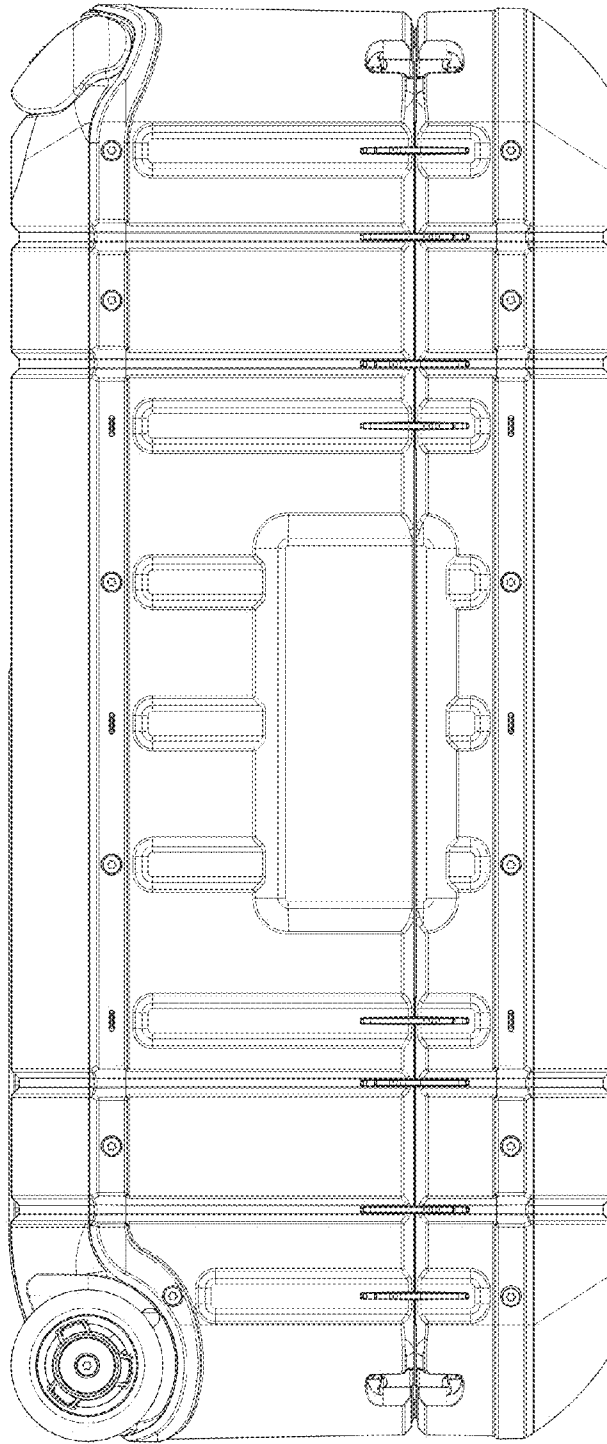


FIG. 4

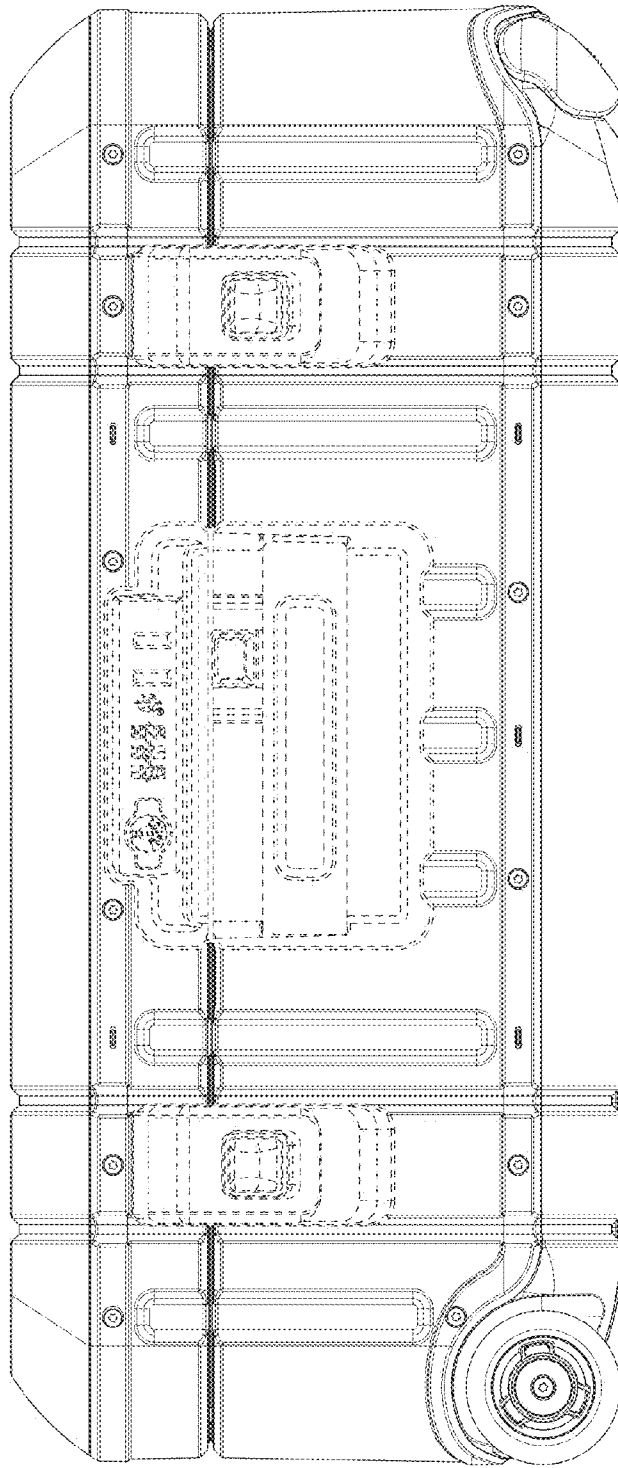


FIG. 5

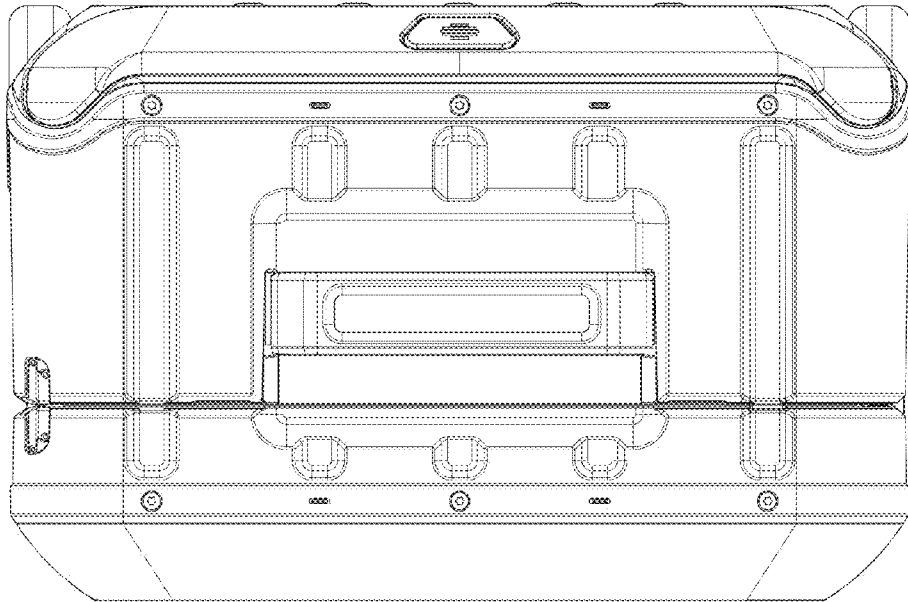


FIG. 6

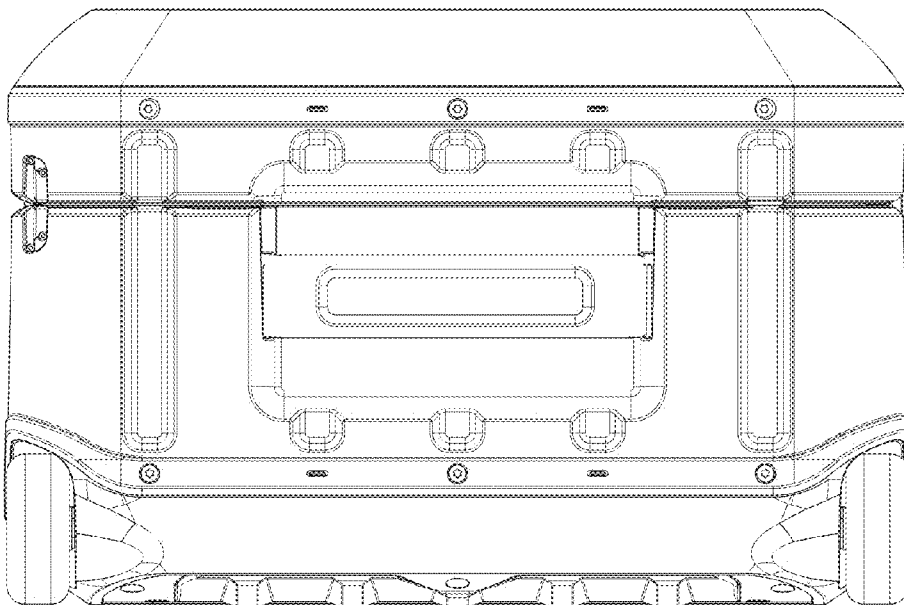


FIG. 7