



US00D993208S

(12) **United States Design Patent**
Seo et al.

(10) **Patent No.:** **US D993,208 S**

(45) **Date of Patent:** **** Jul. 25, 2023**

(54) **ELECTRONIC DEVICE**

(71) Applicant: **Samsung Electronics Co., Ltd.**,
Suwon-si (KR)

(72) Inventors: **Yong Seo**, Suwon-si (KR); **Jae-Hyung Kim**, Suwon-si (KR); **Dae-Kyung Ahn**, Suwon-si (KR); **Kwan-Hee Lee**, Suwon-si (KR)

(73) Assignee: **SAMSUNG ELECTRONICS CO., LTD.**, Suwon-si (KR)

(**) Term: **15 Years**

(21) Appl. No.: **29/736,510**

(22) Filed: **Jun. 1, 2020**

(30) **Foreign Application Priority Data**

Dec. 6, 2019 (KR) 30-2019-0059218

(51) **LOC (14) Cl.** **14-03**

(52) **U.S. Cl.**
USPC **D14/248**

(58) **Field of Classification Search**
USPC D14/138 R, 138 G, 138 AA, 138 AB,
D14/138 AC, 138 AD, 496, 248, 203.1,
(Continued)

(56) **References Cited**

U.S. PATENT DOCUMENTS

D803,205 S * 11/2017 Lee D14/248
D871,400 S * 12/2019 Kim D14/341
(Continued)

FOREIGN PATENT DOCUMENTS

CN 304792048 8/2018
CN 304986526 1/2019
(Continued)

OTHER PUBLICATIONS

Samsung Galaxy M30s Review, www.mysmartprice.com, Oct. 30, 2019. <https://www.mysmartprice.com/gear/samsung-galaxy-m30s-review/> (Year: 2019).*

(Continued)

Primary Examiner — Llorellys Martinez

Assistant Examiner — Kwabena A. Ankobiah

(74) *Attorney, Agent, or Firm* — McAndrews Held & Malloy, Ltd.

(57) **CLAIM**

The ornamental design for an electronic device, as shown and described.

DESCRIPTION

FIG. 1 is a front perspective view of an electronic device showing our new design;

FIG. 2 is a front elevation view thereof;

FIG. 3 is a rear elevation view thereof;

FIG. 4 is a left side elevation view thereof;

FIG. 5 is a right side elevation view thereof;

FIG. 6 is a top plan view thereof;

FIG. 7 is a bottom plan view thereof;

FIG. 8 is another front perspective view of the electronic device of FIG. 1 shown in an alternate configuration;

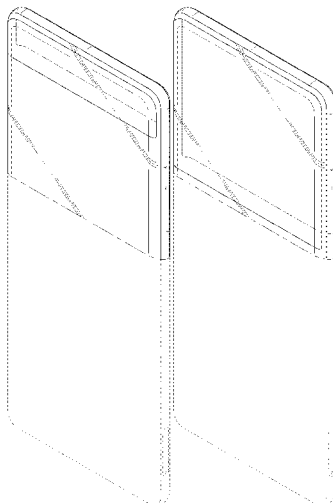
FIG. 9 is another front perspective view of the electronic device of FIG. 1 shown in an alternate configuration;

FIG. 10 is another front perspective view of the electronic device of FIG. 1 shown in an alternate configuration; and,

FIG. 11 is a front perspective view of FIG. 1 shown in a different state of use.

The dashed broken lines illustrate portions of the electronic device that form no part of the claimed design. The other dashed broken lines in FIG. 11 illustrate environmental subject matter that forms no part of the claimed design. The dot-dash broken lines in FIGS. 1-5 and 8-11 define the boundaries of the claimed design and form no part thereof. The perspective views in FIGS. 8 to 10 illustrate alternate configurations in which the display progressively widens from FIG. 8 to FIG. 9 to FIG. 10. The appearance of the electronic device sequentially transitions between the images shown in FIGS. 8 to 10. The process or period in which one image transitions to another image forms no part of the claimed design.

1 Claim, 11 Drawing Sheets



US D993,208 S

Page 2

(58) **Field of Classification Search**

USPC D14/203.3, 203.4, 203.7, 388, 389, 439,
D14/426, 348, 342, 341; D13/103, 107;
D21/329; D10/50
CPC G06F 3/041; G06F 3/0412; G06F 3/0488;
G06F 3/04883; G06F 1/1613; G06F
1/1692; G06F 1/1626; G06F 2200/1633;
A63H 33/3016

See application file for complete search history.

D939,487 S * 12/2021 Kim D14/248
D946,561 S * 3/2022 Seo D14/248
D964,955 S * 9/2022 Kwon D14/138 G
D971,199 S * 11/2022 Seo D14/248
D971,904 S * 12/2022 Seo D14/248

FOREIGN PATENT DOCUMENTS

CN	305081120	3/2019
CN	305396615	10/2019
CN	305396621	10/2019

(56)

References Cited

U.S. PATENT DOCUMENTS

D892,780 S *	8/2020	Park	D14/248
D898,008 S *	10/2020	Seo	D14/248
D907,613 S *	1/2021	Seo	D14/248
D916,066 S *	4/2021	Seo	D14/248
D922,991 S *	6/2021	Seo	D14/248
D922,992 S *	6/2021	Seo	D14/248
D927,471 S *	8/2021	Park	D14/248
D932,476 S *	10/2021	Park	D14/248
D938,404 S *	12/2021	Seo	D14/248

OTHER PUBLICATIONS

Samsung Galaxy M30s with 6000 mAh Unboxing & Overview,
[www.youtube.com](https://www.youtube.com/watch?v=IPr6b5kTsy4), Sep. 17, 2019. <https://www.youtube.com/watch?v=IPr6b5kTsy4> (Year: 2019).*

Samsung Galaxy S20 FE 5G [www.amazon.com](https://www.amazon.com/Samsung-Factory-Unlocked-Smartphone-Pro-Grade/dp/B08FYV84JT?th=1), Sep. 23, 2020.
<https://www.amazon.com/Samsung-Factory-Unlocked-Smartphone-Pro-Grade/dp/B08FYV84JT?th=1> (Year: 2020).*

* cited by examiner

FIG. 1

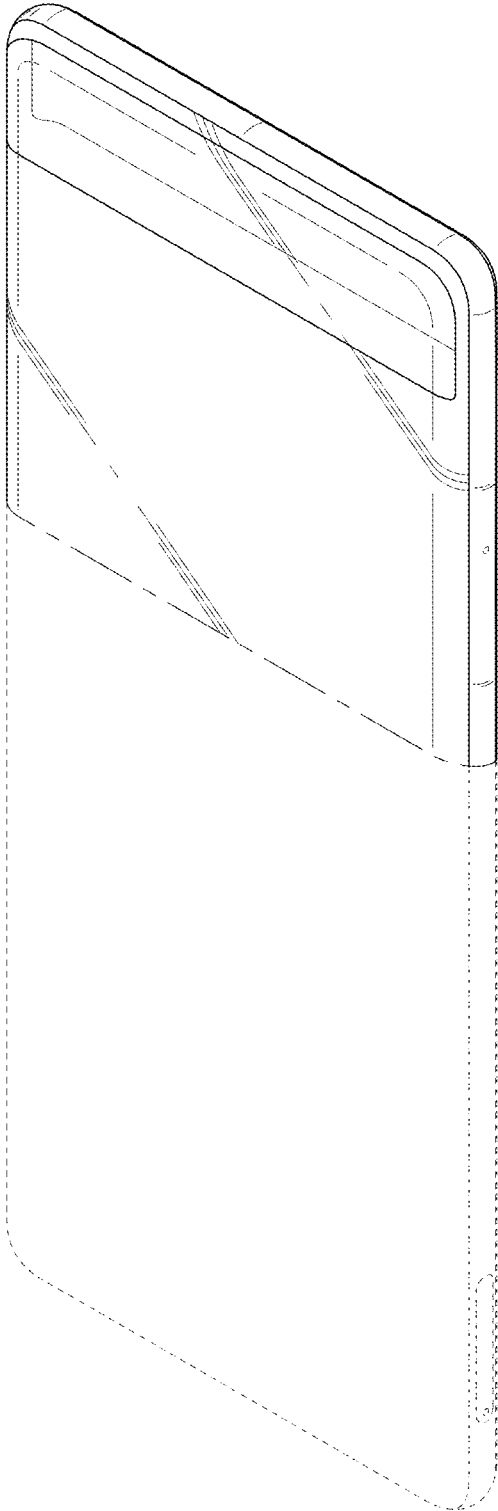


FIG. 2

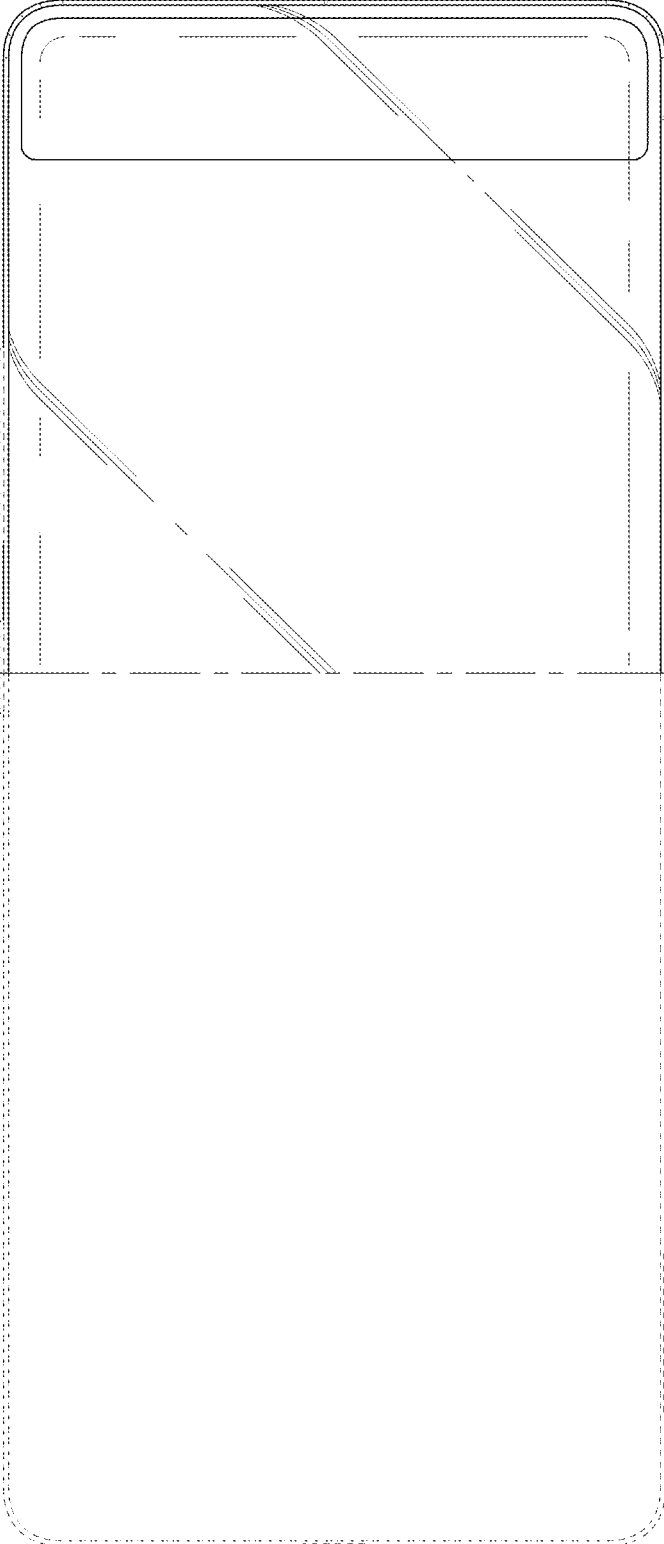


FIG. 3

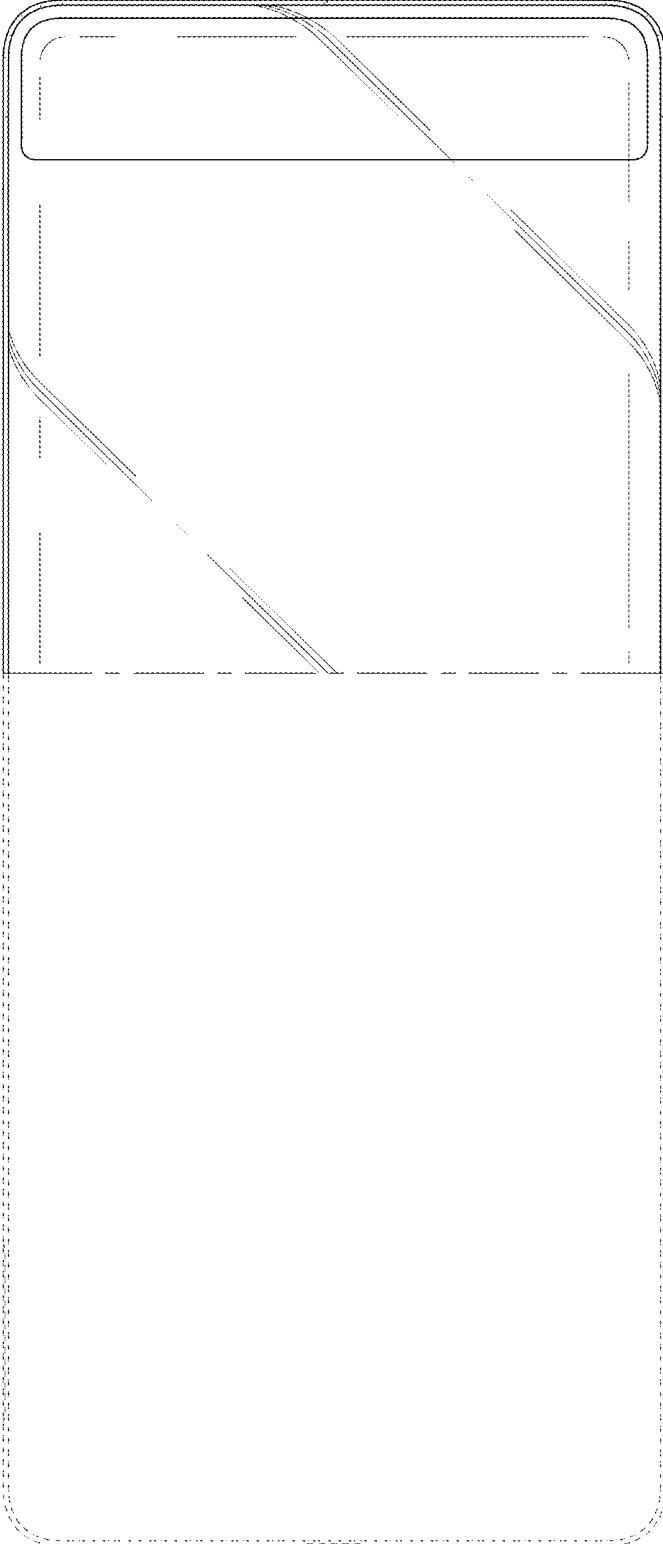


FIG. 4

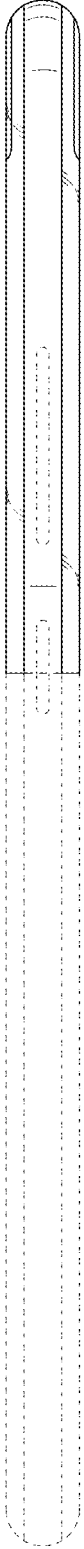


FIG. 5



FIG. 6

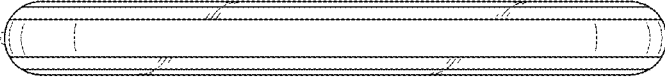


FIG. 7



FIG. 8

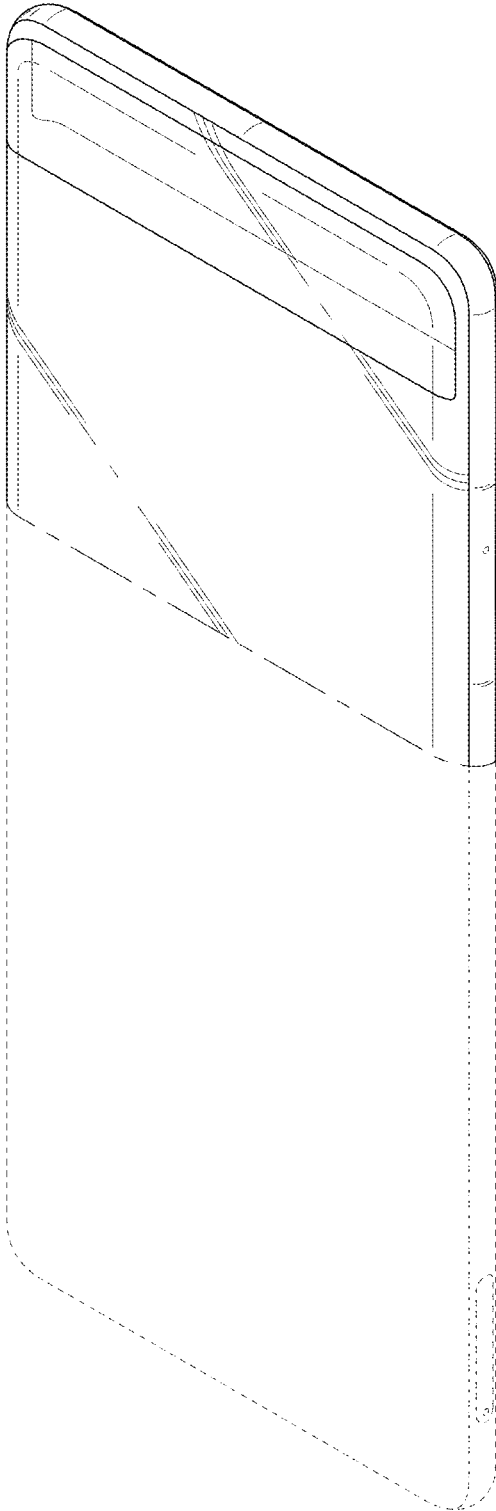


FIG. 9

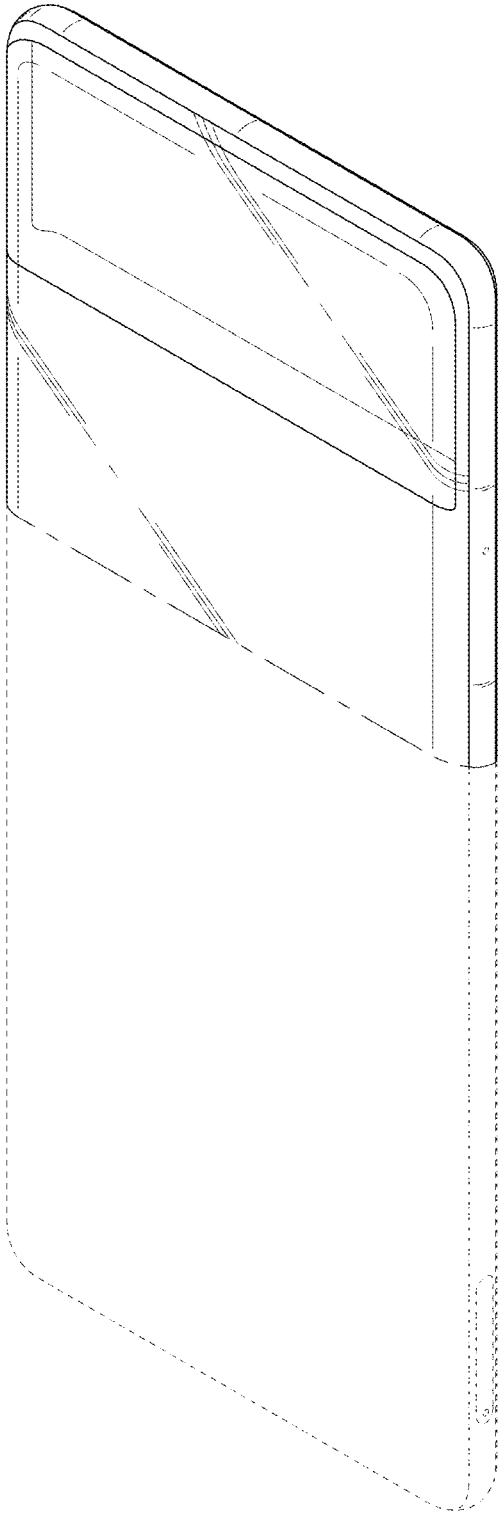


FIG. 10

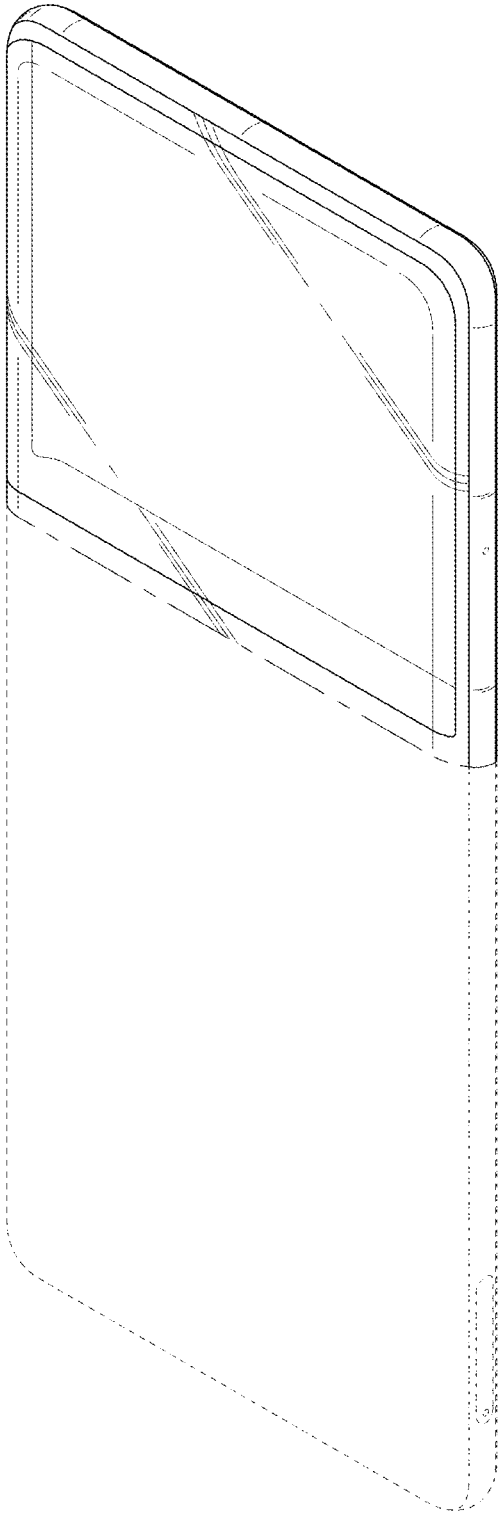


FIG. 11

