

(12) INTERNATIONAL APPLICATION PUBLISHED UNDER THE PATENT COOPERATION TREATY (PCT)

(19) World Intellectual Property Organization  
International Bureau



(43) International Publication Date  
19 September 2002 (19.09.2002)

PCT

(10) International Publication Number  
WO 02/071991 A3

(51) International Patent Classification<sup>7</sup>: A61F 9/007, 9/011

(21) International Application Number: PCT/EP01/13004

(22) International Filing Date:  
9 November 2001 (09.11.2001)

(25) Filing Language: English

(26) Publication Language: English

(30) Priority Data:  
MC2001A000027 13 March 2001 (13.03.2001) IT

(71) Applicant (for all designated States except US): **JADEITE LIMITED** [GB/GB]; southfield House, 4th Floor, 11 Liverpool Gardens, Worthing, West Sussex (GB).

(72) Inventor; and

(75) Inventor/Applicant (for US only): **VALAZZI, Carlo, Maria** [IT/IT]; Via Mazzini, 10, I-61100 Pesaro (IT).

(74) Agents: **JORIO, Paolo** et al.; c/o Studio Torta S.r.l., Via Viotti, 9, I-10121 Torino (IT).

(81) Designated States (national): AE, AG, AL, AM, AT, AU, AZ, BA, BB, BG, BR, BY, BZ, CA, CH, CN, CO, CR, CU, CZ, DE, DK, DM, DZ, EE, ES, FI, GB, GD, GE, GH, GM, HR, HU, ID, IL, IN, IS, JP, KE, KG, KP, KR, KZ, LC, LK, LR, LS, LT, LU, LV, MA, MD, MG, MK, MN, MW, MX, MZ, NO, NZ, PH, PL, PT, RO, RU, SD, SE, SG, SI, SK, SL, TJ, TM, TR, TT, TZ, UA, UG, US, UZ, VN, YU, ZA, ZW.

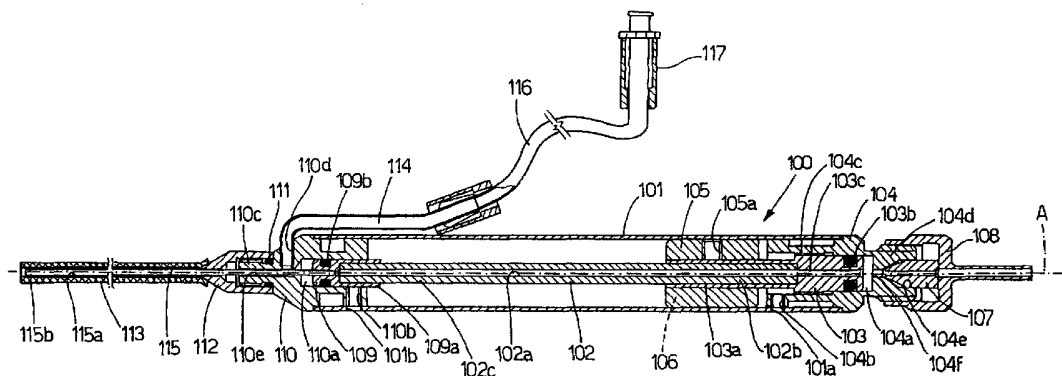
(84) Designated States (regional): ARIPO patent (GH, GM, KE, LS, MW, MZ, SD, SL, SZ, TZ, UG, ZW), Eurasian patent (AM, AZ, BY, KG, KZ, MD, RU, TJ, TM), European patent (AT, BE, CH, CY, DE, DK, ES, FI, FR, GB, GR, IE, IT, LU, MC, NL, PT, SE, TR), OAPI patent (BF, BJ, CF, CG, CI, CM, GA, GN, GQ, GW, ML, MR, NE, SN, TD, TG).

Published:  
— with international search report

(88) Date of publication of the international search report:  
23 January 2003

For two-letter codes and other abbreviations, refer to the "Guidance Notes on Codes and Abbreviations" appearing at the beginning of each regular issue of the PCT Gazette.

(54) Title: ENDOSCOPY UNIT FOR LACRIMAL DUCT ENDOSCOPY, LACRIMAL DUCT INTUBATION TUBE AND ASSOCIATED METHOD



(57) Abstract: A lacrimal duct endoscopy unit (10) having a handset (100, 200) in turn having a device for optically detecting occlusions in the duct, and a device for surgically removing the occlusions. A lacrimal duct intubation device comprising a tubular portion having a conical flared portion at its proximal end and a tapered distal end.



WO 02/071991 A3

## INTERNATIONAL SEARCH REPORT

International Application No

PCT/EP 01/13004

A. CLASSIFICATION OF SUBJECT MATTER  
 IPC 7 A61F9/007 A61F9/011

According to International Patent Classification (IPC) or to both national classification and IPC

## B. FIELDS SEARCHED

Minimum documentation searched (classification system followed by classification symbols)

IPC 7 A61F A61B

Documentation searched other than minimum documentation to the extent that such documents are included in the fields searched

Electronic data base consulted during the international search (name of data base and, where practical, search terms used)

EPO-Internal, WPI Data

## C. DOCUMENTS CONSIDERED TO BE RELEVANT

Category °	Citation of document, with indication, where appropriate, of the relevant passages	Relevant to claim No.
X	DE 195 42 955 A (POLYDIAGNOST VERTRIEBS & SERVI ;SCHWIND GMBH & CO KG HERBERT (DE)) 22 May 1997 (1997-05-22) column 2, line 47-56 column 3, line 36-61 column 4, line 32-39 figures 1,2,5	1,5,8
X	--- US 4 607 622 A (MCADAMS JOHN B ET AL) 26 August 1986 (1986-08-26) column 2, line 29 -column 3, line 19 column 5, line 1 -column 6, line 42 figure 2	1,5,8
X	--- US 3 809 093 A (ABRAHAM S) 7 May 1974 (1974-05-07) the whole document --- -/--	5-7

Further documents are listed in the continuation of box C.

Patent family members are listed in annex.

° Special categories of cited documents :

"A" document defining the general state of the art which is not considered to be of particular relevance

"E" earlier document but published on or after the international filing date

"L" document which may throw doubts on priority claim(s) or which is cited to establish the publication date of another citation or other special reason (as specified)

"O" document referring to an oral disclosure, use, exhibition or other means

"P" document published prior to the international filing date but later than the priority date claimed

"T" later document published after the international filing date or priority date and not in conflict with the application but cited to understand the principle or theory underlying the invention

"X" document of particular relevance; the claimed invention cannot be considered novel or cannot be considered to involve an inventive step when the document is taken alone

"Y" document of particular relevance; the claimed invention cannot be considered to involve an inventive step when the document is combined with one or more other such documents, such combination being obvious to a person skilled in the art.

"&" document member of the same patent family

Date of the actual completion of the international search

1 March 2002

Date of mailing of the international search report

06.06.02

Name and mailing address of the ISA

European Patent Office, P.B. 5818 Patentlaan 2  
 NL - 2280 HV Rijswijk  
 Tel. (+31-70) 340-2040, Tx. 31 651 epo nl,  
 Fax: (+31-70) 340-3016

Authorized officer

Dhervé, G

## INTERNATIONAL SEARCH REPORT

International Application No

PCT/EP 01/13004

## C.(Continuation) DOCUMENTS CONSIDERED TO BE RELEVANT

Category °	Citation of document, with indication, where appropriate, of the relevant passages	Relevant to claim No.
X	US 3 945 375 A (BANKO ANTON) 23 March 1976 (1976-03-23) column 2, line 10 -column 3, line 51 column 5, line 10-65 figures 1,2,9-13 -----	5,6

# INTERNATIONAL SEARCH REPORT

International application No.  
PCT/EP 01/13004

## Box I Observations where certain claims were found unsearchable (Continuation of item 1 of first sheet)

This International Search Report has not been established in respect of certain claims under Article 17(2)(a) for the following reasons:

1.  Claims Nos.: 2-4  
because they relate to subject matter not required to be searched by this Authority, namely:  
Rule 39.1(iv) PCT - Diagnostic method practised on the human or animal body  
Rule 39.1(iv) PCT - Method for treatment of the human or animal body by surgery
2.  Claims Nos.:  
because they relate to parts of the International Application that do not comply with the prescribed requirements to such an extent that no meaningful International Search can be carried out, specifically:
3.  Claims Nos.:  
because they are dependent claims and are not drafted in accordance with the second and third sentences of Rule 6.4(a).

## Box II Observations where unity of invention is lacking (Continuation of item 2 of first sheet)

This International Searching Authority found multiple inventions in this international application, as follows:

see additional sheet

1.  As all required additional search fees were timely paid by the applicant, this International Search Report covers all searchable claims.
2.  As all searchable claims could be searched without effort justifying an additional fee, this Authority did not invite payment of any additional fee.
3.  As only some of the required additional search fees were timely paid by the applicant, this International Search Report covers only those claims for which fees were paid, specifically claims Nos.:
4.  No required additional search fees were timely paid by the applicant. Consequently, this International Search Report is restricted to the invention first mentioned in the claims; it is restricted by claims Nos.:  
1, 5-8

Remark on Protest

- The additional search fees were accompanied by the applicant's protest.
- No protest accompanied the payment of additional search fees.

FURTHER INFORMATION CONTINUED FROM PCT/ISA/ 210

This International Searching Authority found multiple (groups of) inventions in this international application, as follows:

1. Claims: 1,5-8

A lacrimal duct endoscopy unit and the associated handset.

1.1. Claim : 1

A lacrimal duct endoscopy unit

1.2. Claims: 5-8

A handset for lacrimal duct endoscopy

2. Claims: 9,10

A lacrimal duct intubation device.

Please note that all inventions mentioned under item 1, although not necessarily linked by a common inventive concept, could be searched without effort justifying an additional fee.

# INTERNATIONAL SEARCH REPORT

Information on patent family members

International Application No  
PCT/EP 01/13004

Patent document cited in search report	A	Publication date	Patent family member(s)	Publication date
DE 19542955	A	22-05-1997	DE 19542955 A1	22-05-1997
US 4607622	A	26-08-1986	CH 674453 A5 DE 3621053 A1	15-06-1990 07-01-1988
US 3809093	A	07-05-1974	IT 983317 B	31-10-1974
US 3945375	A	23-03-1976	US 3844272 A	29-10-1974