



US00D826942S

(12) **United States Design Patent**
Lu

(10) **Patent No.:** **US D826,942 S**

(45) **Date of Patent:** **** Aug. 28, 2018**

- (54) **USB HUB**
 - (71) Applicant: **Hongbing Lu**, Shangrao (CN)
 - (72) Inventor: **Hongbing Lu**, Shangrao (CN)
 - (73) Assignee: **Shenzhen Gomass Electronic Technology Co., LTD.**, Shenzhen (CN)
 - (**) Term: **15 Years**
 - (21) Appl. No.: **29/613,918**
 - (22) Filed: **Aug. 15, 2017**
 - (51) **LOC (11) Cl.** **14-02**
 - (52) **U.S. Cl.**
USPC **D14/433**
 - (58) **Field of Classification Search**
USPC D18/4.4, 4.5, 4.6, 12, 12.1, 12.3;
D14/383, 384, 385, 386, 378
CPC G06K 19/07749; G06K 19/0723; G06K
19/041; G06K 19/07758; G06K 19/0775;
G06K 19/07783; G06K 19/07794; G06K
19/06046; G06K 19/07722; G06K
19/07773; G06K 19/07779; G06K
19/07784; G06K 19/07786; G06K
19/0709
- See application file for complete search history.

D560,165 S *	1/2008	Matityahu	D13/133
D670,291 S *	11/2012	Dalton	B25C 7/00 D14/433
D693,768 S *	11/2013	Alesi	D13/110
D709,892 S *	7/2014	Lui	D14/433
D740,291 S *	10/2015	Turksu	D14/433
D788,112 S *	5/2017	Liao	D14/433
D793,397 S *	8/2017	Eliyahu	D14/433
D794,028 S *	8/2017	Lin	D14/433
D800,730 S *	10/2017	Liao	D14/433
D803,833 S *	11/2017	He	D14/385
D813,875 S *	3/2018	Liao	D14/434

* cited by examiner

Primary Examiner — Austin Murphy

(56) **References Cited**

U.S. PATENT DOCUMENTS

D559,848 S *	1/2008	Siu	D14/433
D559,849 S *	1/2008	Siu	D14/433

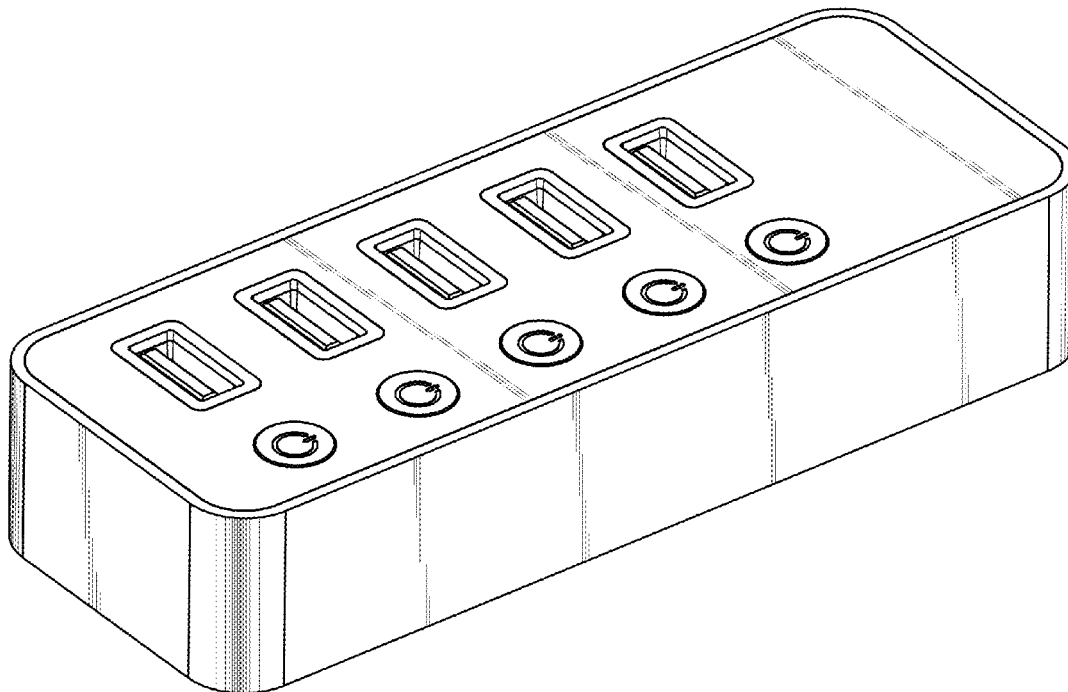
(57) **CLAIM**

The ornamental design for a USB hub, as shown.

DESCRIPTION

FIG. 1 is a front elevational view of a USB hub showing my new design;
 FIG. 2 is a rear elevational view thereof;
 FIG. 3 is a left side elevational view thereof;
 FIG. 4 is a right side elevational view thereof;
 FIG. 5 is a top plan view thereof;
 FIG. 6 is a bottom plan view thereof; and,
 FIG. 7 is a perspective view thereof.

1 Claim, 7 Drawing Sheets



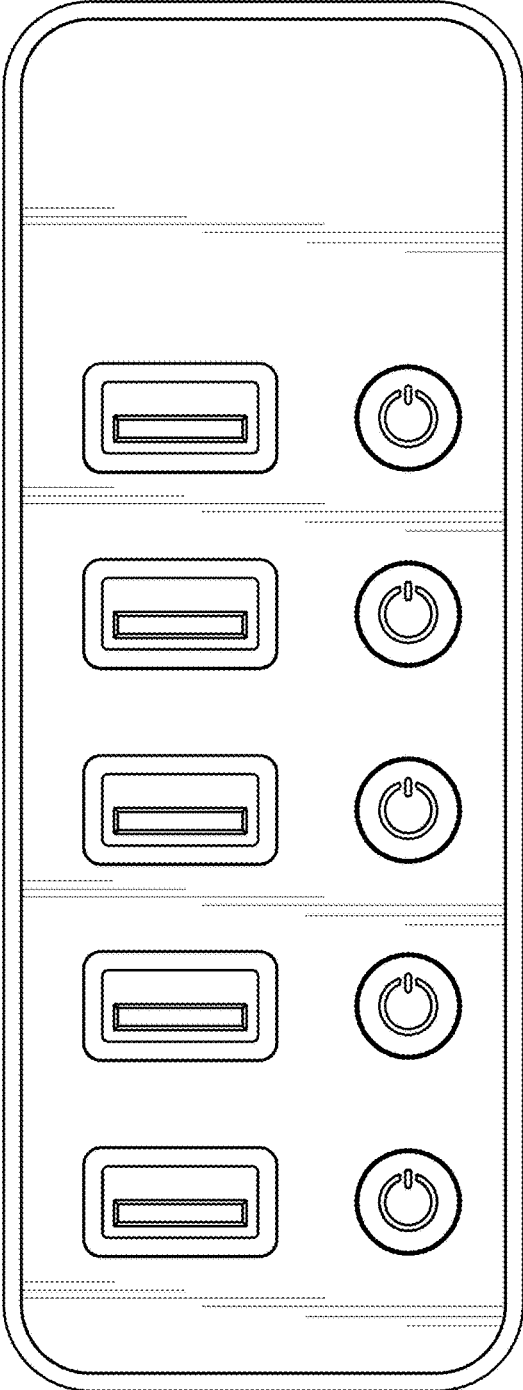


FIG.1

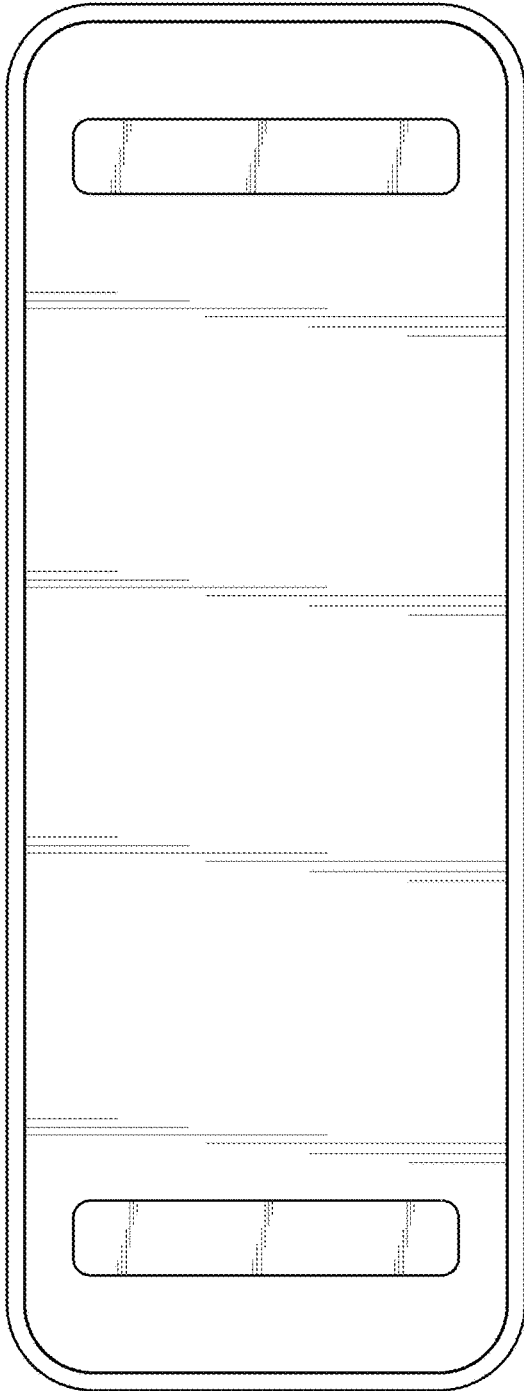


FIG.2

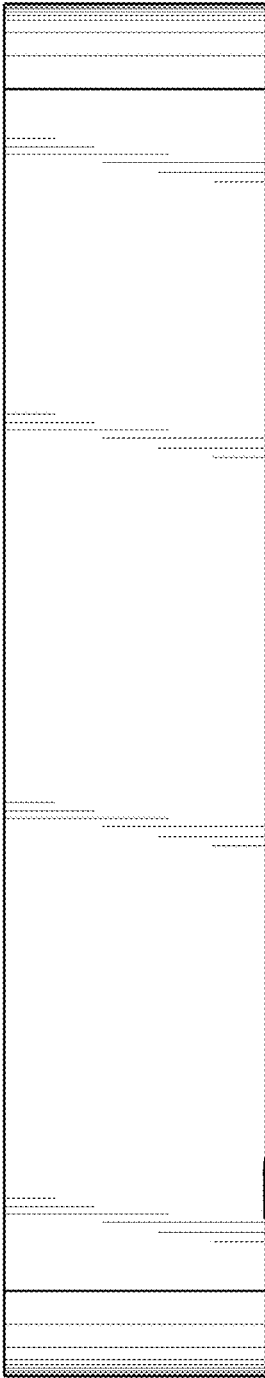


FIG.3

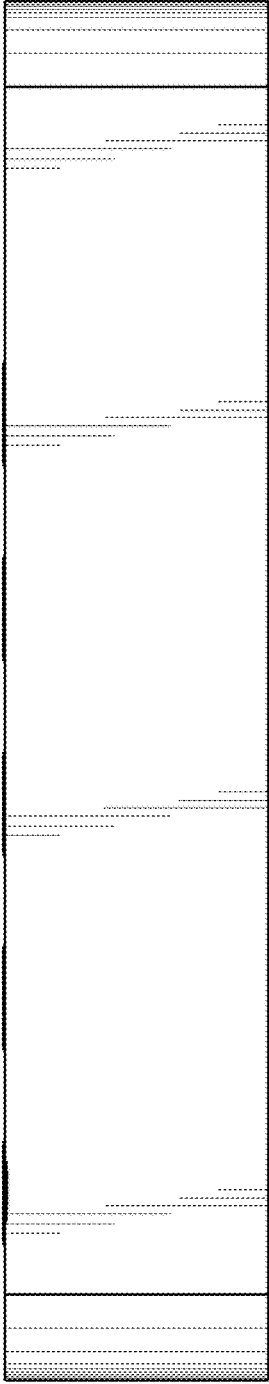


FIG.4

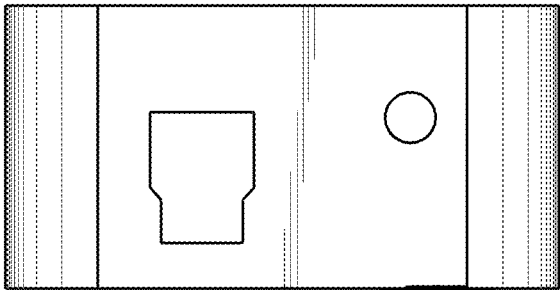


FIG.5

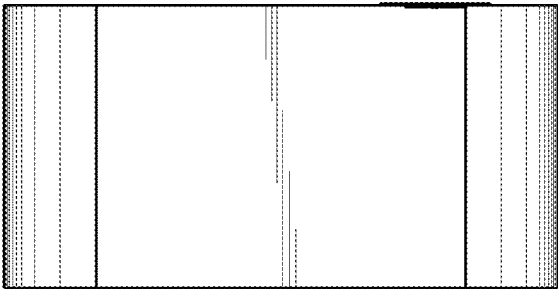


FIG.6

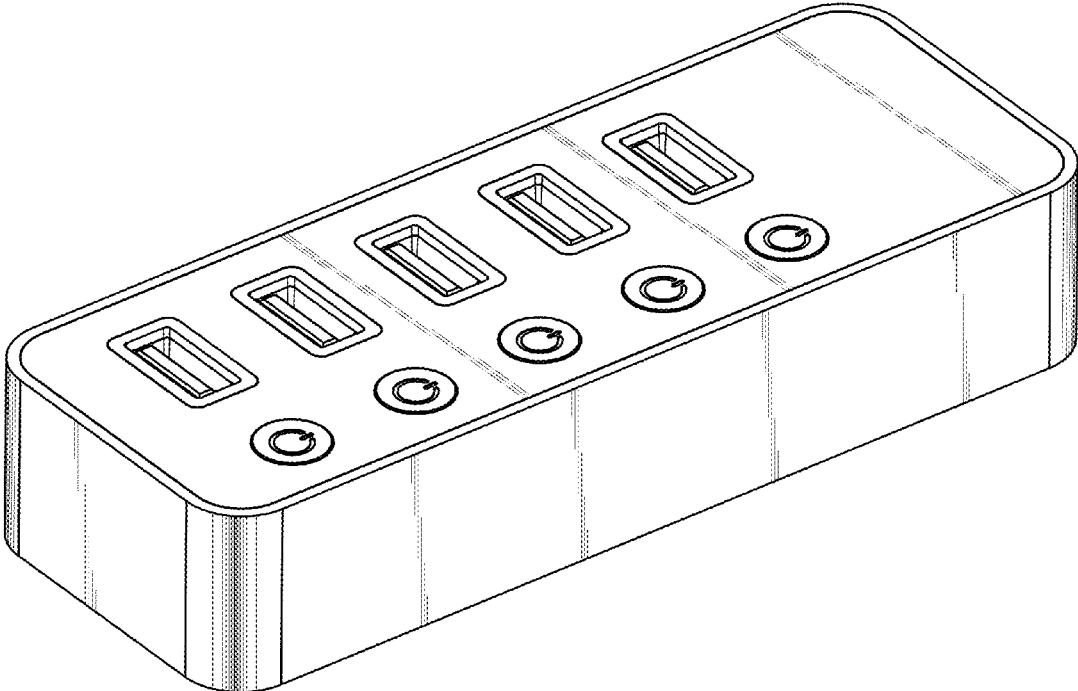


FIG.7