



US00D997645S

(12) **United States Design Patent**
Ames

(10) **Patent No.:** **US D997,645 S**

(45) **Date of Patent:** **** Sep. 5, 2023**

(54) **BOTTLE WITH STRAW LID**

(74) *Attorney, Agent, or Firm* — Hall Estill Law Firm;
Michael H. Smith

(71) Applicant: **Real Value LLC**, Moore, OK (US)

(57) **CLAIM**

(72) Inventor: **Micah Ames**, Conifer, CO (US)

The ornamental design for a bottle with straw lid, as shown and described.

(73) Assignee: **Real Value LLC**, Moore, OK (US)

DESCRIPTION

(**) Term: **15 Years**

FIG. 1 is a top perspective view of a first embodiment of a bottle with straw lid, showing a drinking portion of the bottle with straw lid in a closed position.

(21) Appl. No.: **29/806,110**

FIG. 2 is a bottom perspective view of FIG. 1.

(22) Filed: **Sep. 1, 2021**

FIG. 3 is a left side elevation view of FIG. 1.

(51) **LOC (14) Cl.** **07-01**

FIG. 4 is a right side elevation view of FIG. 1.

(52) **U.S. Cl.**

FIG. 5 is a front elevation view of FIG. 1.

USPC **D7/510; D7/392.1**

FIG. 6 is a rear elevation view of FIG. 1.

(58) **Field of Classification Search**

FIG. 7 is a top view of FIG. 1.

USPC **D7/507, 509, 510, 511, 513, 531, 532, 523, 533, 392, 392.1, 396.1, 396.2,**
(Continued)

FIG. 8 is a bottom view of FIG. 1.

FIG. 9 is a top perspective view of FIG. 1, showing a drinking portion of the bottle with straw lid in an open position.

(56) **References Cited**

FIG. 10 is a bottom perspective view of FIG. 1, showing a drinking portion of the bottle with straw lid in an open position.

U.S. PATENT DOCUMENTS

FIG. 11 is a left side elevation view of FIG. 1, showing a drinking portion of the bottle with straw lid in an open position.

D622,145 S * 8/2010 Walsh D9/500

D649,879 S * 12/2011 Gullickson D9/450

(Continued)

FIG. 12 is a right side elevation view of FIG. 1, showing a drinking portion of the bottle with straw lid in an open position.

FOREIGN PATENT DOCUMENTS

CA 190685 * 1/2022

CN 306757716 * 8/2021

(Continued)

FIG. 13 is a front elevation view of FIG. 1, showing a drinking portion of the bottle with straw lid in an open position.

OTHER PUBLICATIONS

Simple Modern [online] URL: <https://www.amazon.com/Simple-Modern-Stainless-Insulated-Double-Walled/dp/B0797F7716> (site visited: Dec. 9, 2022) (Year: 2018).*

FIG. 14 is a rear elevation view of FIG. 1, showing a drinking portion of the bottle with straw lid in an open position.

(Continued)

FIG. 15 is a top view of FIG. 1, showing a drinking portion of the bottle with straw lid in an open position.

FIG. 16 is a bottom view of FIG. 1, showing a drinking portion of the bottle with straw lid in an open position.

FIG. 17 is a top perspective view of a second embodiment of a bottle with straw lid, showing a drinking portion of the bottle with straw lid in a closed position.

(Continued)

Primary Examiner — Jae Liang

Assistant Examiner — Tia Ruth-Renee Polidori

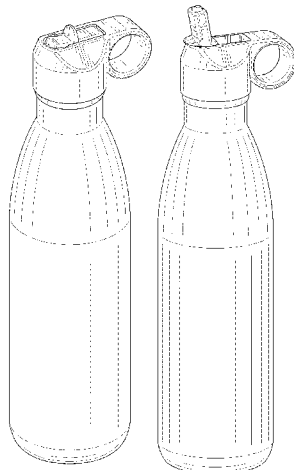


FIG. 18 is a top perspective view of a second embodiment of a bottle with straw lid, showing a drinking portion of the bottle with straw lid in an open position.

FIG. 19 is a top perspective view of a third embodiment of a bottle with straw lid, showing a drinking portion of the bottle with straw lid in a closed position.

FIG. 20 is a top perspective view of a third embodiment of a bottle with straw lid, showing a drinking portion of the bottle with straw lid in an open position.

FIG. 21 is a top perspective view of a fourth embodiment of a bottle with straw lid, showing a drinking portion of the bottle with straw lid in a closed position; and,

FIG. 22 is a top perspective view of a fourth embodiment of a bottle with straw lid, showing a drinking portion of the bottle with straw lid in an open position.

The portions of the bottle with straw lid shown in broken line form no part of the claimed design.

1 Claim, 20 Drawing Sheets

(58) **Field of Classification Search**

USPC D7/300.1, 608, 900, 536, 535, 548, 300, D7/312, 314, 316, 318, 319, 320, 321, D7/322, 300.2, 619.1, 622, 635; D3/202; D9/716, 500, 531, 516, 549, 436, 440, D9/447; D30/129, 130, 131, 162

CPC A47G 19/22; A47G 19/2288; A47G 19/2205; A47J 41/0077; A47J 41/0088

See application file for complete search history.

(56) **References Cited**

U.S. PATENT DOCUMENTS

D654,793	S	*	2/2012	Rosbach	D9/443
D704,986	S	*	5/2014	Manies	D7/392.1
D732,892	S	*	6/2015	Keys	D7/510
D750,428	S	*	3/2016	Keys	D7/396.2
D799,320	S	*	10/2017	Goodwin	D9/449
D801,173	S	*	10/2017	Lown	D9/449
D804,906	S	*	12/2017	Diener	D7/532
D808,220	S	*	1/2018	Burns	D7/510
D809,390	S	*	2/2018	Hines	D9/764

D810,500	S	*	2/2018	Maple	D7/392.1
D830,773	S	*	10/2018	Jacobsen	D9/503
D830,774	S	*	10/2018	Jacobsen	D9/503
D844,376	S	*	4/2019	Rosette	D7/392.1
D871,840	S	*	1/2020	Meyers	D9/503
D885,129	S	*	5/2020	Rosette	D7/532
D887,775	S	*	6/2020	Bo	D7/392.1
D911,770	S	*	3/2021	Ludolph	D7/392.1
10,988,389	B1	*	4/2021	Guduru	B65D 47/32
D927,305	S	*	8/2021	Chupak	D9/500
D927,306	S	*	8/2021	Chupak	D9/500
D937,038	S	*	11/2021	Sletten	D7/392.1
D938,826	S	*	12/2021	Chupak	D9/500
D943,342	S	*	2/2022	Hao	D7/392.1
D944,056	S	*	2/2022	Paparao	D7/509
D955,812	S	*	6/2022	Ge	D9/450
D974,106	S	*	1/2023	Pape	D7/392.1
D978,608	S	*	2/2023	Wadsworth	D7/396.2
D982,380	S	*	4/2023	Li	D7/396.2
2008/0011702	A1	*	1/2008	Walsh	B65D 1/0207 215/44
2015/0034584	A1	*	2/2015	Renner	B65D 83/205 53/470

FOREIGN PATENT DOCUMENTS

CN	307657092	*	11/2022
CN	307722367	*	12/2022
JP	D1619028	*	11/2018
JP	D1648405	*	12/2019
KR	301014907.0000	*	7/2019

OTHER PUBLICATIONS

ThermoFlask [online] URL: <https://www.amazon.com/Thermoflask-50050-Double-Insulated-Stainless/dp/B07F6XG3HZ> (site visited: Dec. 9, 2022) (Year: 2018).*

Miir [online] URL: <https://www.miir.com/products/leakproof-straw-lid?variant=39340585025610> (site visited: Dec. 9, 2022) (Year: 2021).*

Five Below [online] URL: https://www.fivebelow.com/products/32oz-hydroclear-sport-water-bottle-with-flip-straw_2 (site visited: Dec. 9, 2022) (Year: 2022).*

Hydro Flask [online] URL: <https://www.amazon.com/Hydro-Flask-Wide-Mouth-Straw/dp/B0BGZPQH4K?th=1> (site visited: Dec. 9, 2022) (Year: 2022).*

Oldeani [online] URL: <https://oldeani.com/product/oasis-water-bottle-flip-lid/> (site visited: Dec. 9, 2022) (Year: 2022).*

* cited by examiner

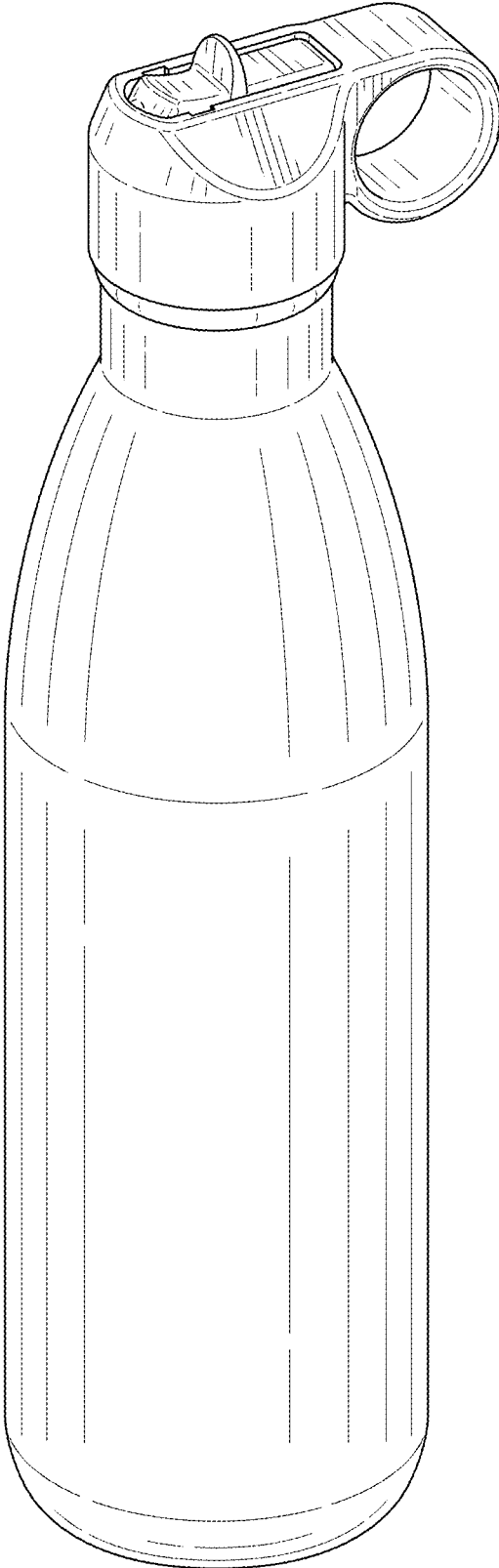


FIG. 1

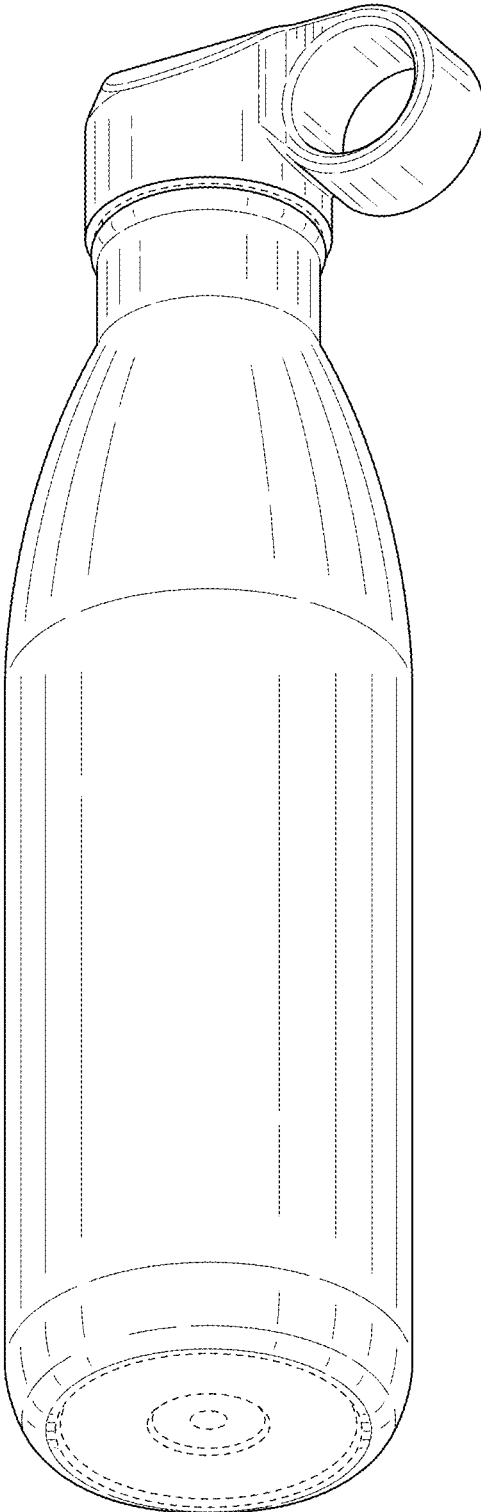


FIG. 2

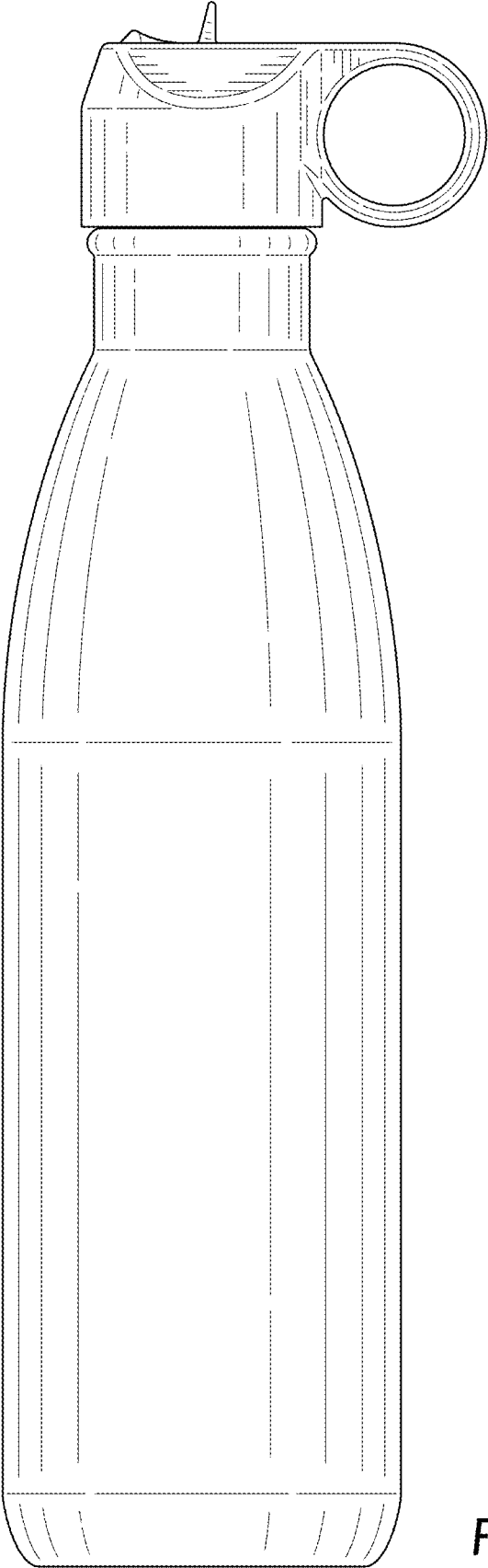


FIG. 3

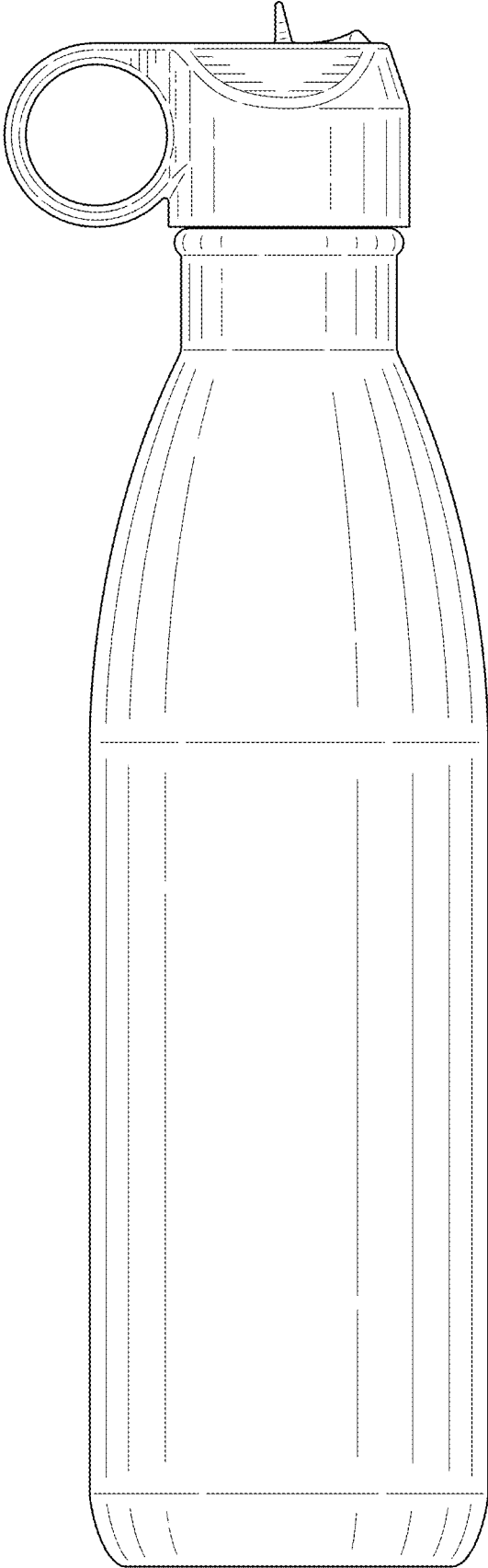


FIG. 4

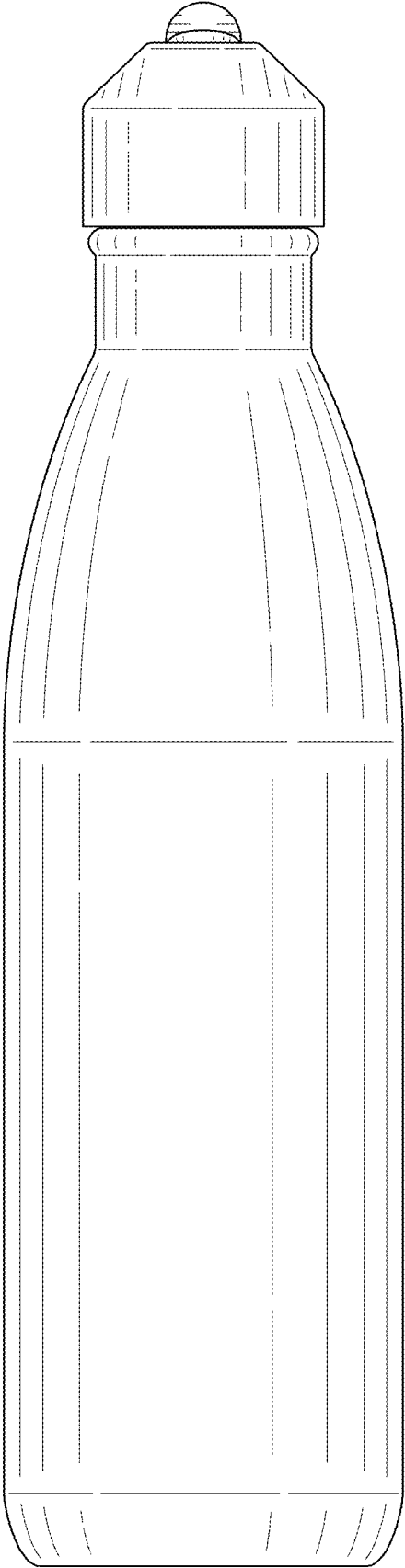


FIG. 5

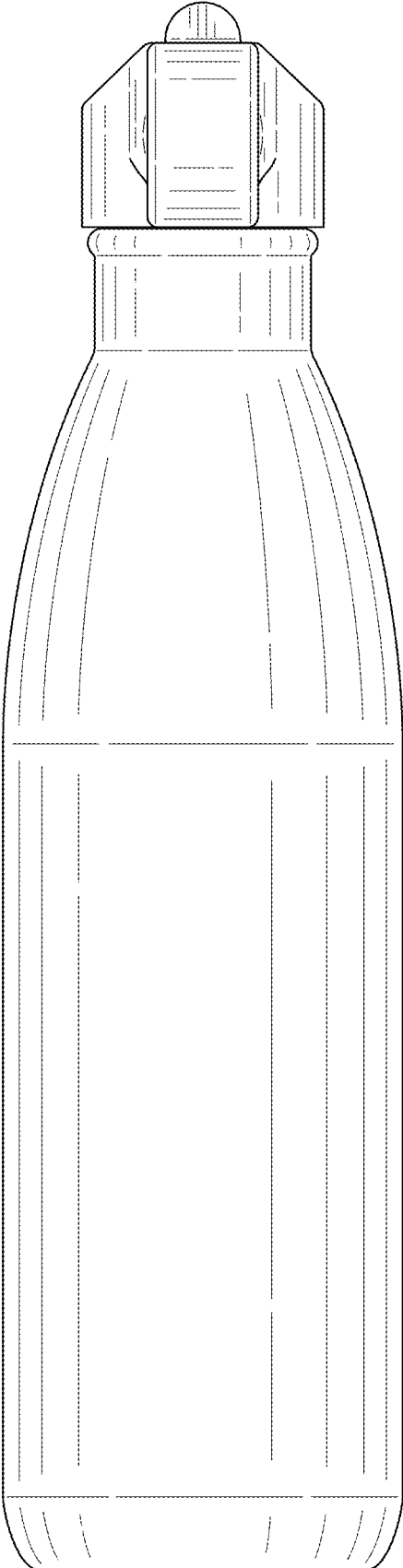


FIG. 6

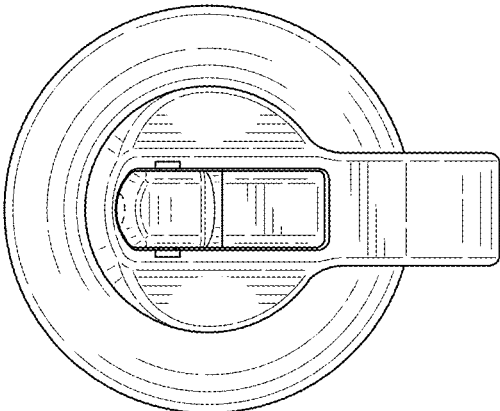


FIG. 7

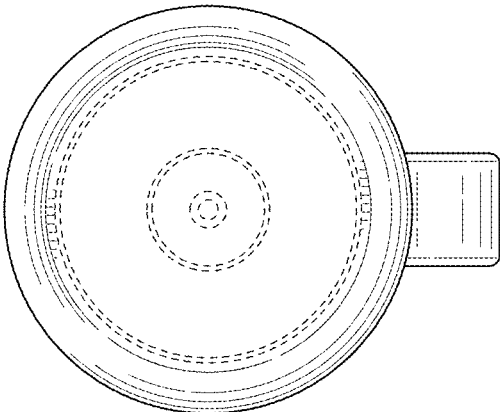


FIG. 8

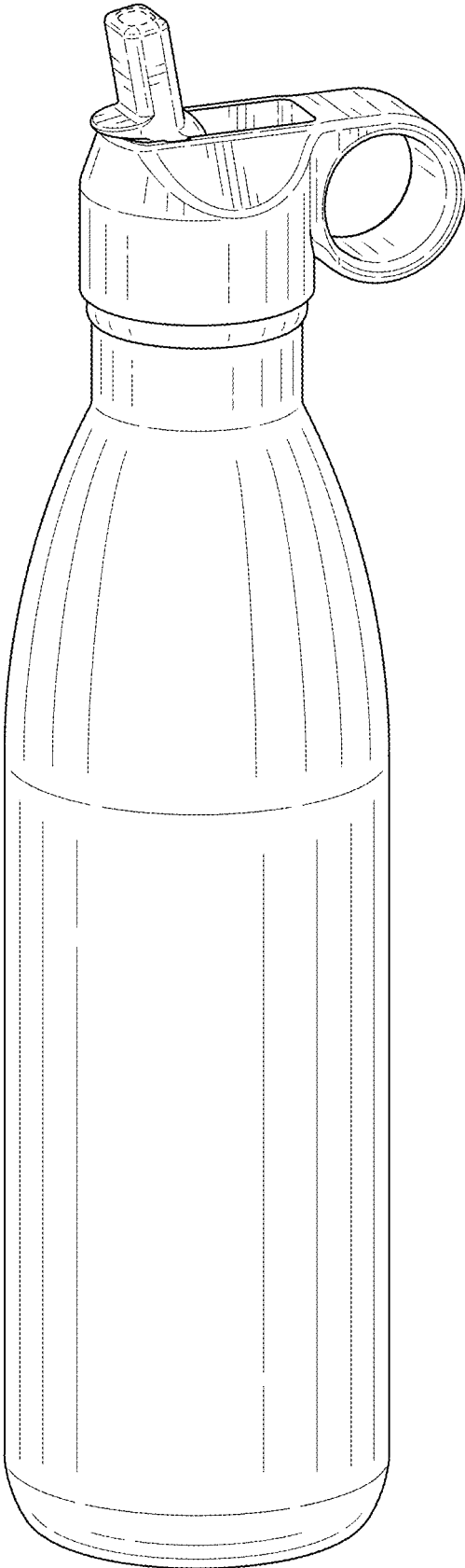


FIG. 9

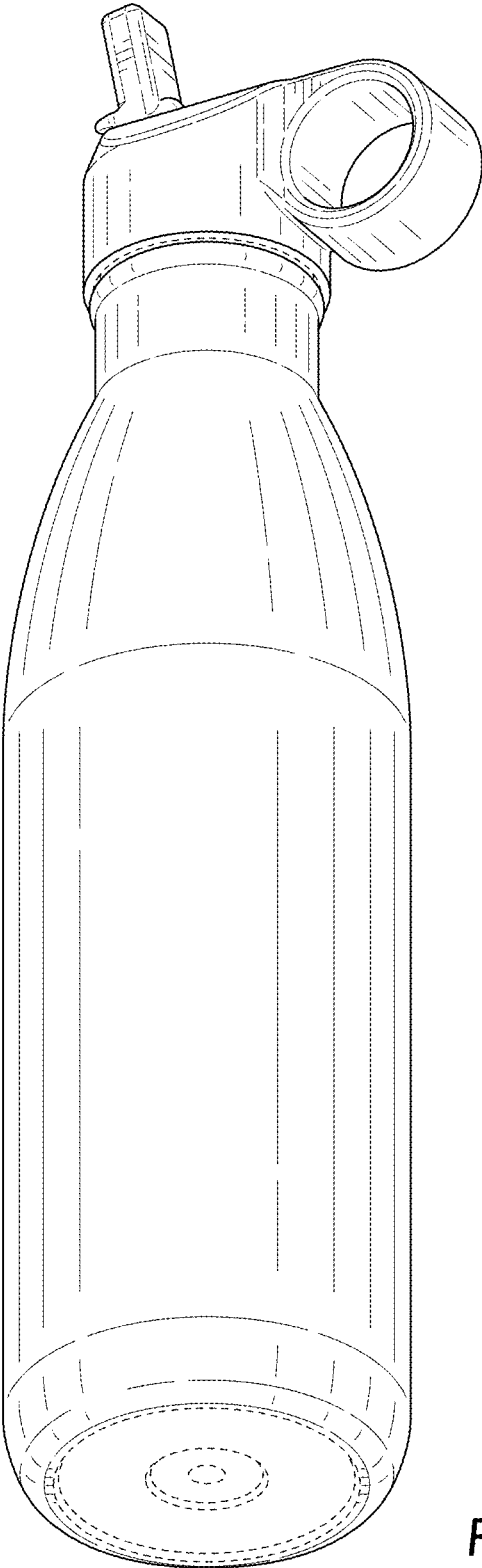


FIG. 10

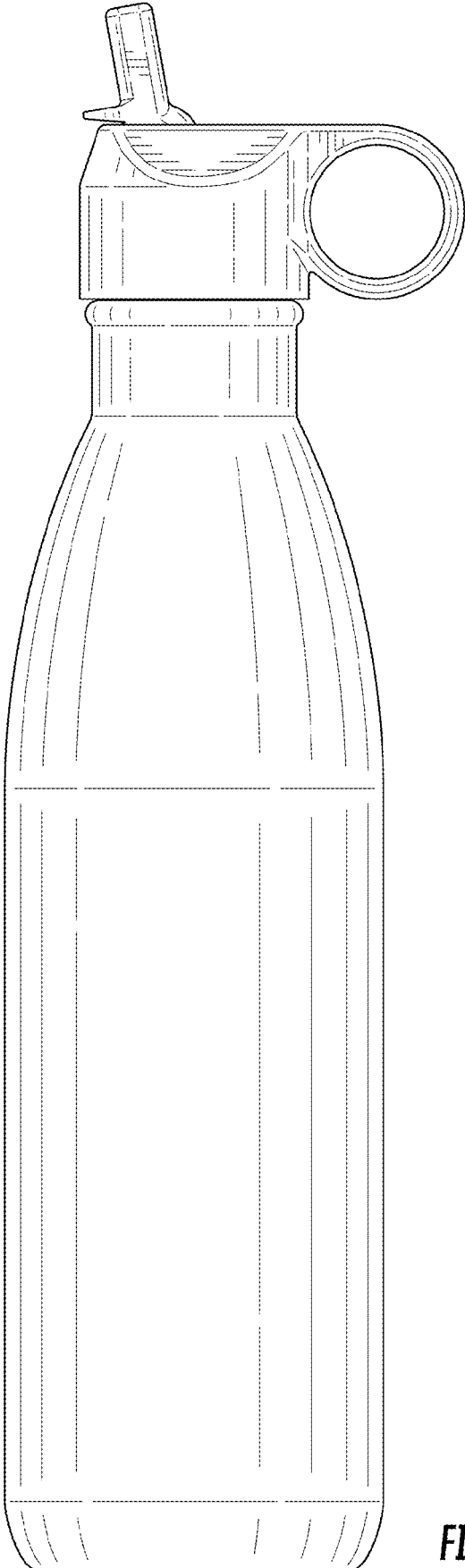


FIG. 11

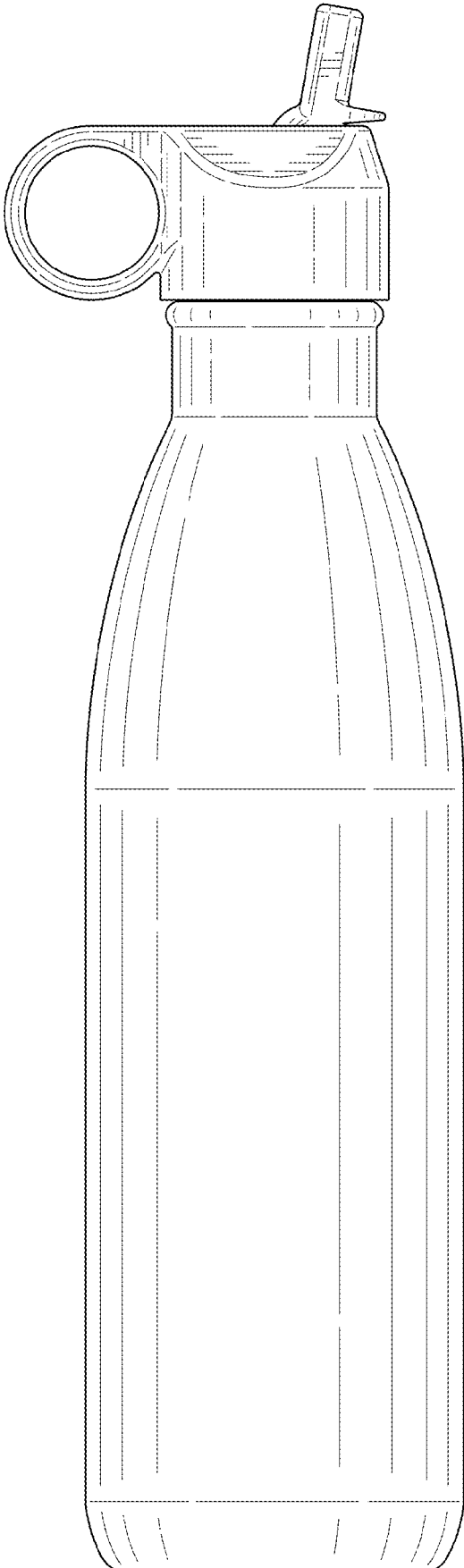


FIG. 12

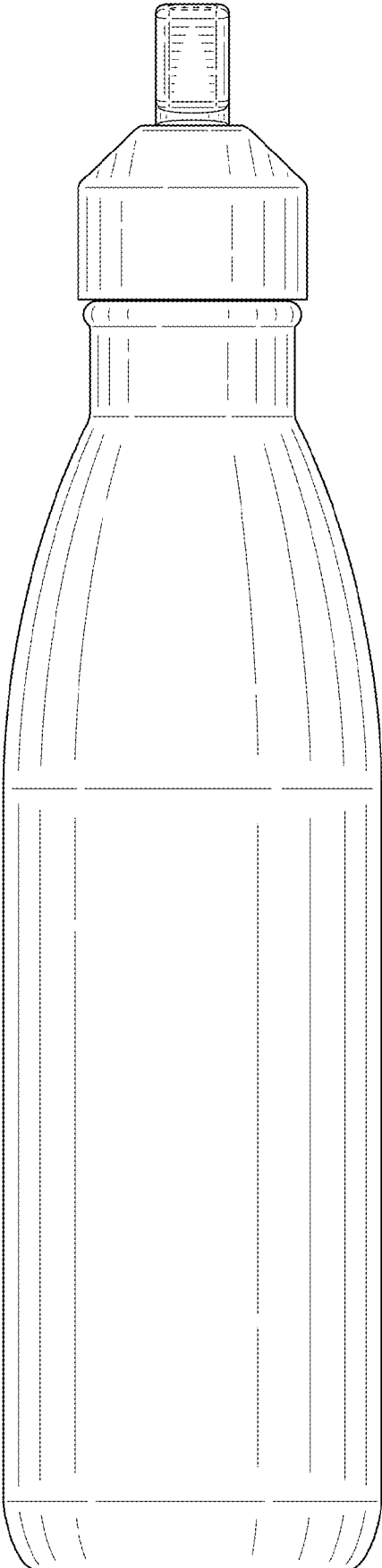


FIG. 13

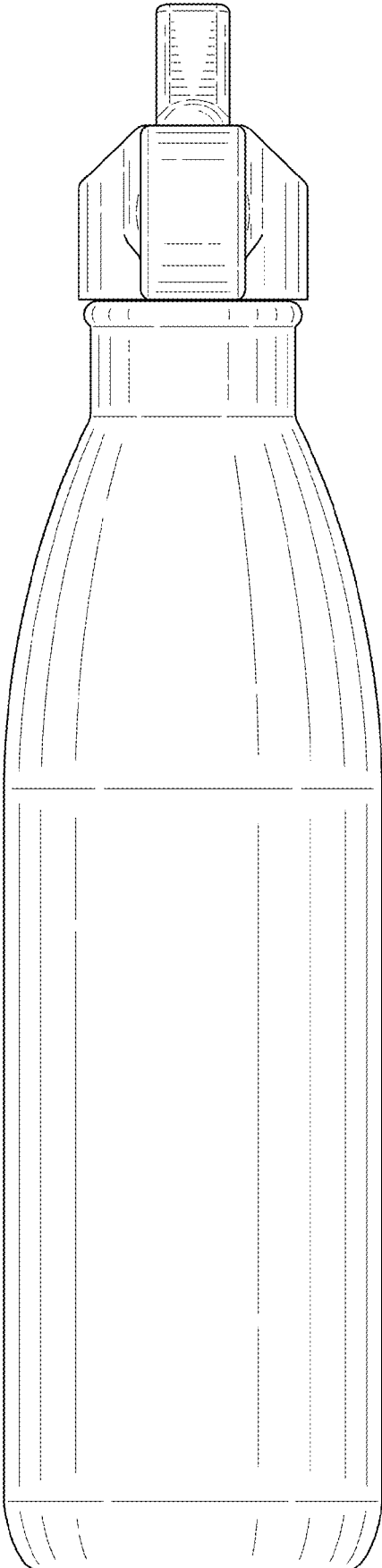


FIG. 14

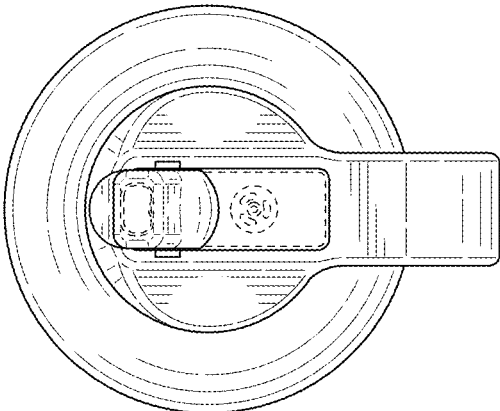


FIG. 15

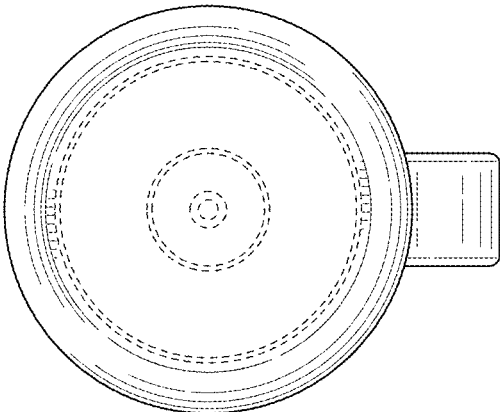


FIG. 16

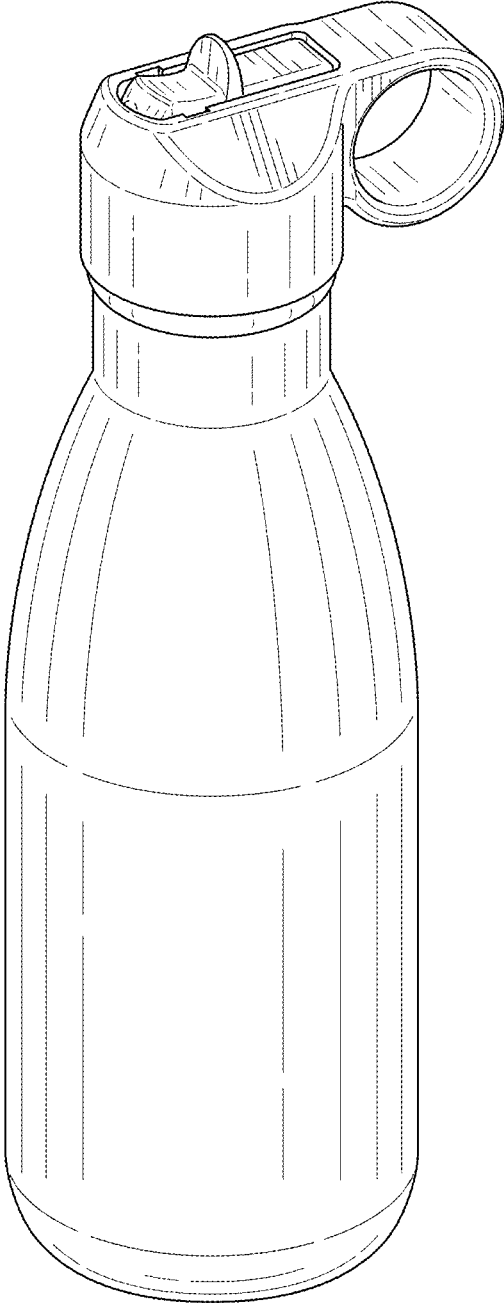


FIG. 17

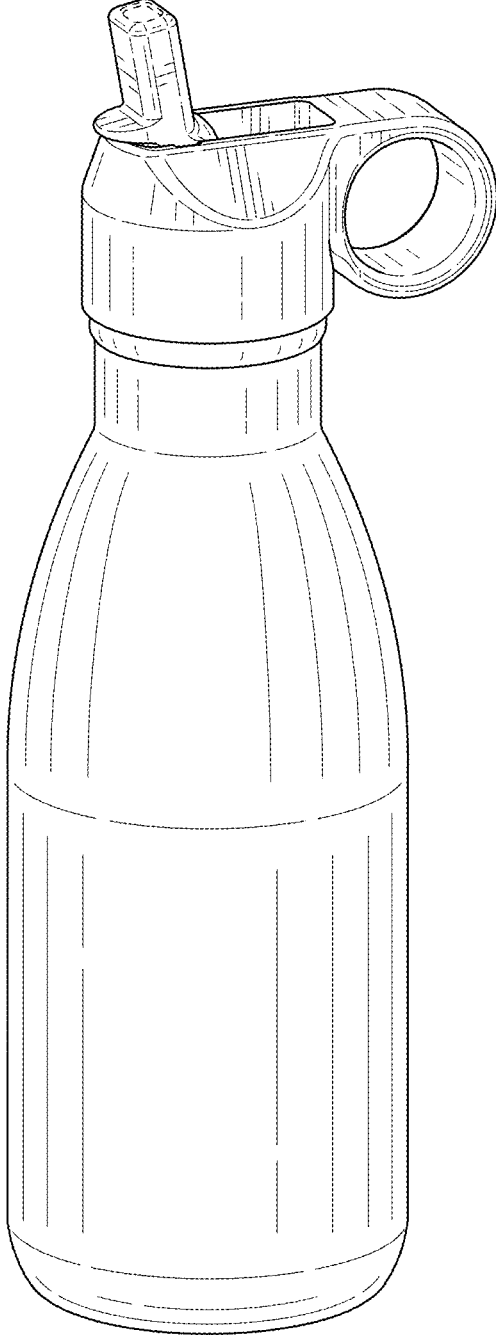


FIG. 18

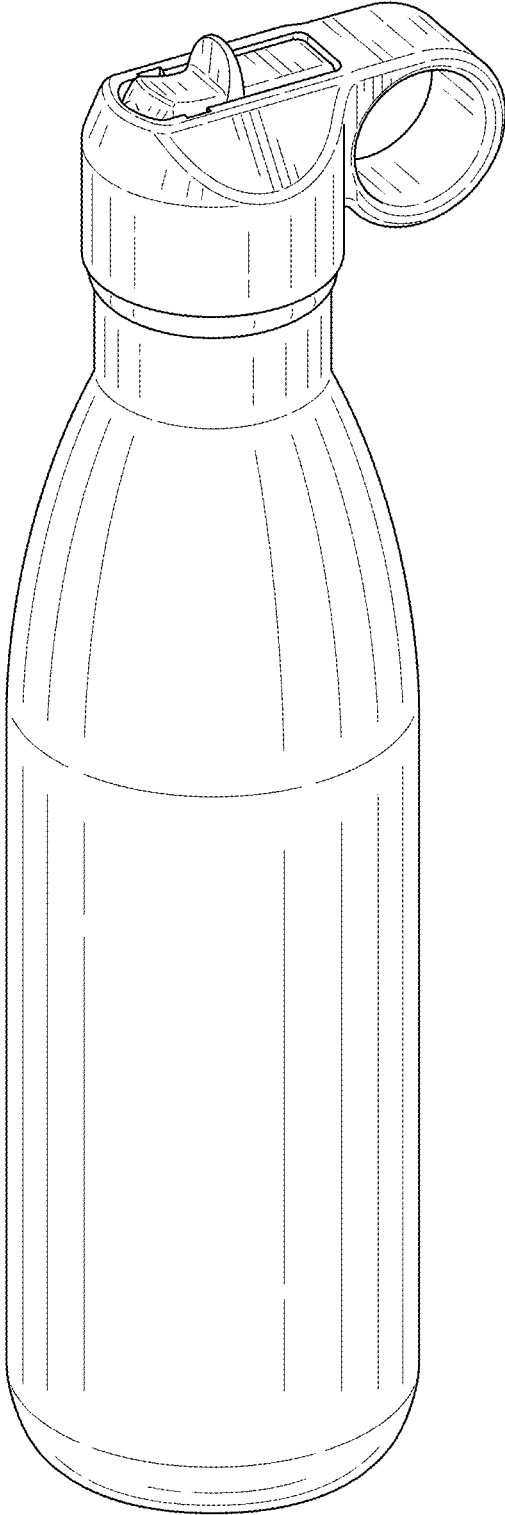


FIG. 19

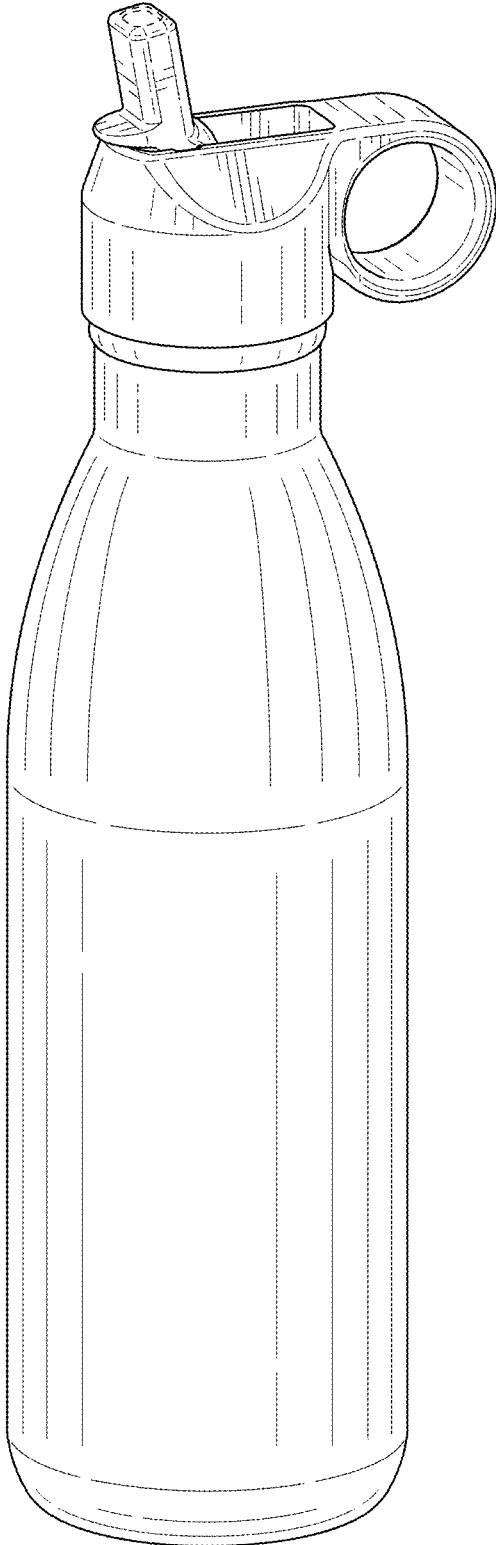


FIG. 20

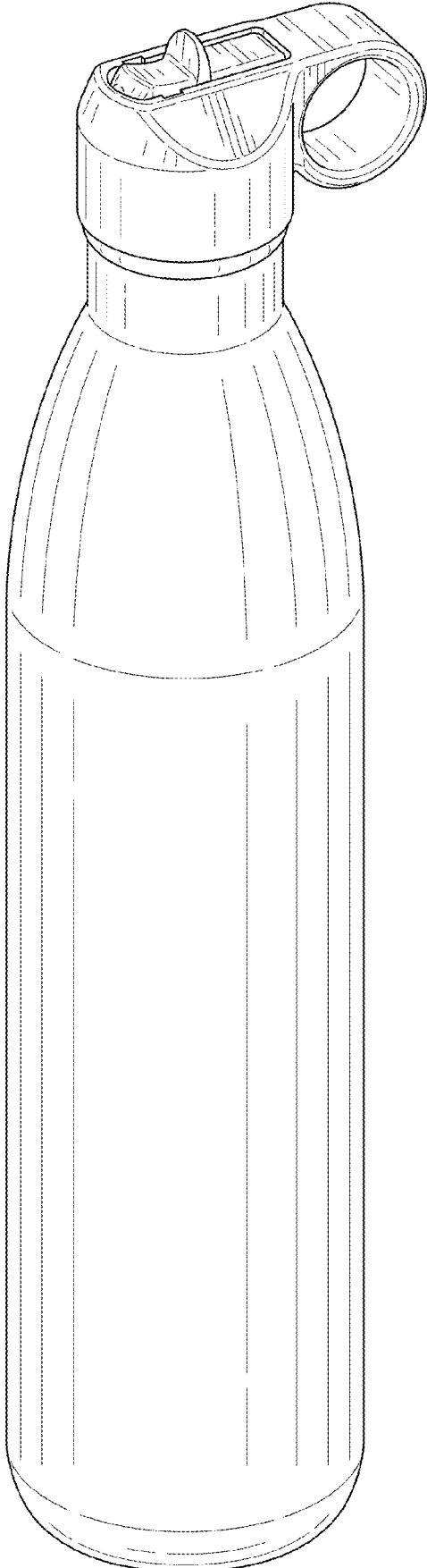


FIG. 21

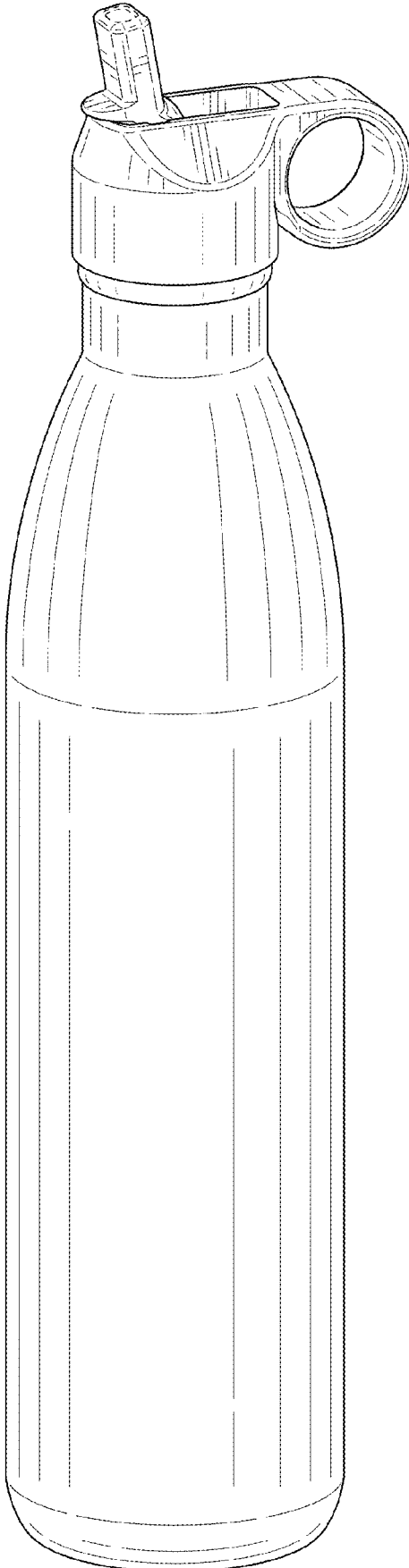


FIG. 22