



(12) **United States Design Patent**
Robello

(10) **Patent No.:** **US D871,007 S**
(45) **Date of Patent:** **** Dec. 24, 2019**

- (54) **FOLDABLE BROOM**
- (71) Applicant: **Russell Robello**, Lake Worth, FL (US)
- (72) Inventor: **Russell Robello**, Lake Worth, FL (US)
- (**) Term: **15 Years**
- (21) Appl. No.: **29/669,187**
- (22) Filed: **Nov. 6, 2018**
- (51) **LOC (12) Cl.** **07-05**
- (52) **U.S. Cl.**
USPC **D32/52**
- (58) **Field of Classification Search**
USPC D32/40-43, 45-46, 50-52; D4/118, 199;
D24/217, 231; D8/11, 9; D20/17, 22,
D20/28, 41, 99
CPC . B08B 1/00; A61B 90/70; A47L 13/17; A47L
13/16; A47L 5/22; A47L 5/24; B25G
3/24; B25G 3/12; B25G 3/00
See application file for complete search history.

6,349,444	B1 *	2/2002	Sander	B25G 3/12
					15/146
D472,716	S *	4/2003	Hay	D32/50
D487,973	S *	4/2004	Vosbikian	D32/50
D497,229	S *	10/2004	Berti	D32/50
6,877,181	B2 *	4/2005	Laux	A46B 15/00
					15/114
7,721,380	B2 *	5/2010	Libman	A46B 7/04
					15/146
D633,671	S *	3/2011	Franklin	D32/40
D663,985	S *	7/2012	Herrera Rodriguez	D6/566
D679,911	S *	4/2013	Dobson, III	D4/199

(Continued)

FOREIGN PATENT DOCUMENTS

CN 3638666 * 5/2007

Primary Examiner — Eric L Goodman
Assistant Examiner — John R Yeh
(74) *Attorney, Agent, or Firm* — McHale & Slavin, P.A.

(57) **CLAIM**

The ornamental design for a foldable broom, as shown and described.

(56) **References Cited**

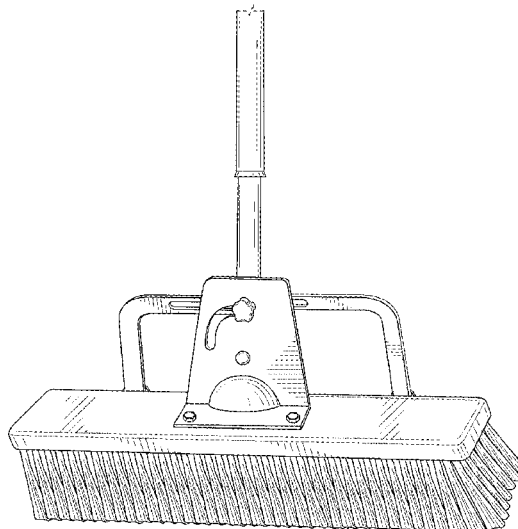
U.S. PATENT DOCUMENTS

1,872,534	A *	8/1932	Wallin	B25G 3/12
					403/347
2,131,612	A *	9/1938	Campbell	A46B 9/08
					15/175
2,922,179	A *	1/1960	Lundgren	B25G 3/12
					15/146
D244,506	S *	5/1977	Yankee	D32/51
D323,727	S *	2/1992	Re	D32/40
D369,027	S *	4/1996	Zigelboim	D4/122
5,568,668	A *	10/1996	Margolin	A46B 5/0095
					15/143.1
D375,409	S *	11/1996	Uranga	D32/51
D375,632	S *	11/1996	Uranga	D32/50
D376,911	S *	12/1996	Zigelboim	D4/122
6,125,500	A *	10/2000	Kat	A47L 5/24
					15/344
6,134,739	A *	10/2000	Gonzalez	B25G 3/12
					15/175

DESCRIPTION

FIG. 1 is a perspective view of the foldable broom of the present invention;
FIG. 2 is a front view thereof;
FIG. 3 is a back view thereof;
FIG. 4 is a right side view thereof;
FIG. 5 is a left side view thereof;
FIG. 6 is a top view thereof;
FIG. 7 is a bottom view thereof; and,
FIG. 8 is a perspective view of the foldable broom in an alternate configuration.
The broken lines in the figures represent broken away lines of the foldable broom and form no part of the claimed design.

1 Claim, 6 Drawing Sheets



(56)

References Cited

U.S. PATENT DOCUMENTS

D704,405	S	*	5/2014	Libman	D32/50
D774,267	S	*	12/2016	Dobson, III	D32/50
D789,637	S	*	6/2017	Dobson, III	D32/51
2002/0124341	A1	*	9/2002	Cesak	A46B 7/04 15/175
2007/0226930	A1	*	10/2007	Libman	A46B 7/04 15/159.1

* cited by examiner

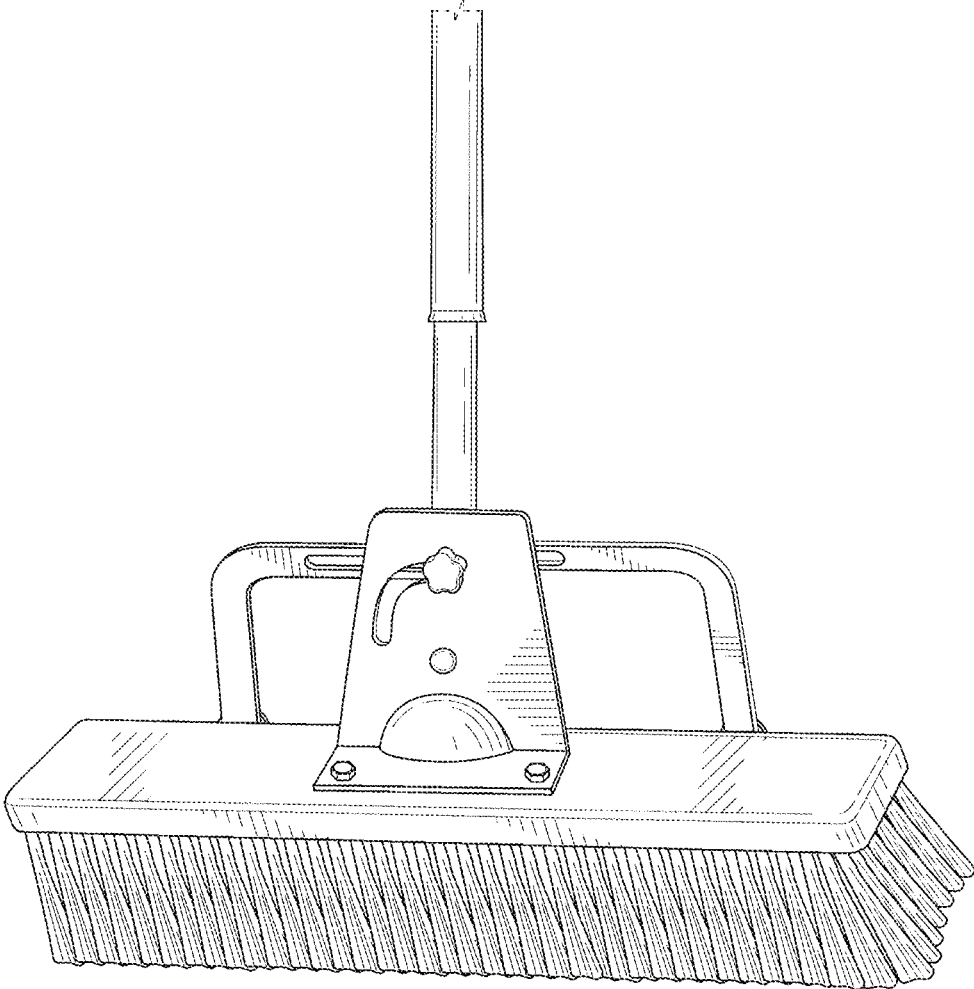


FIG. 1

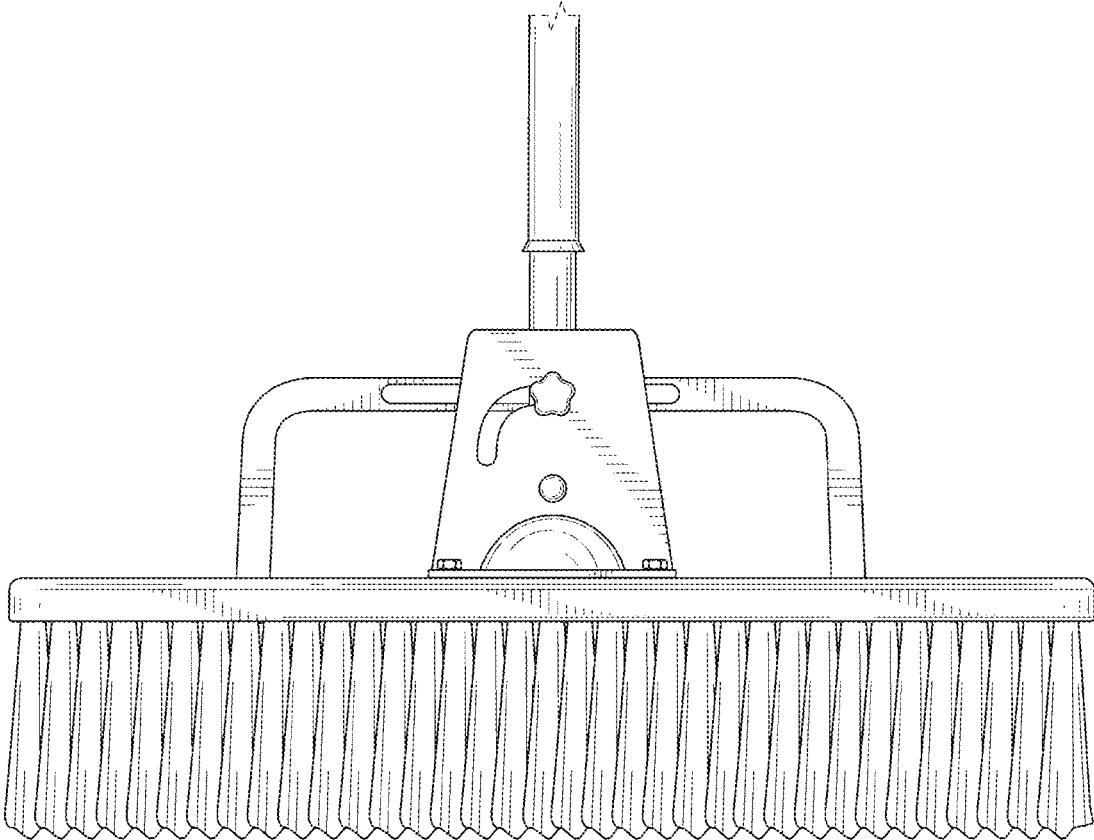


FIG. 2

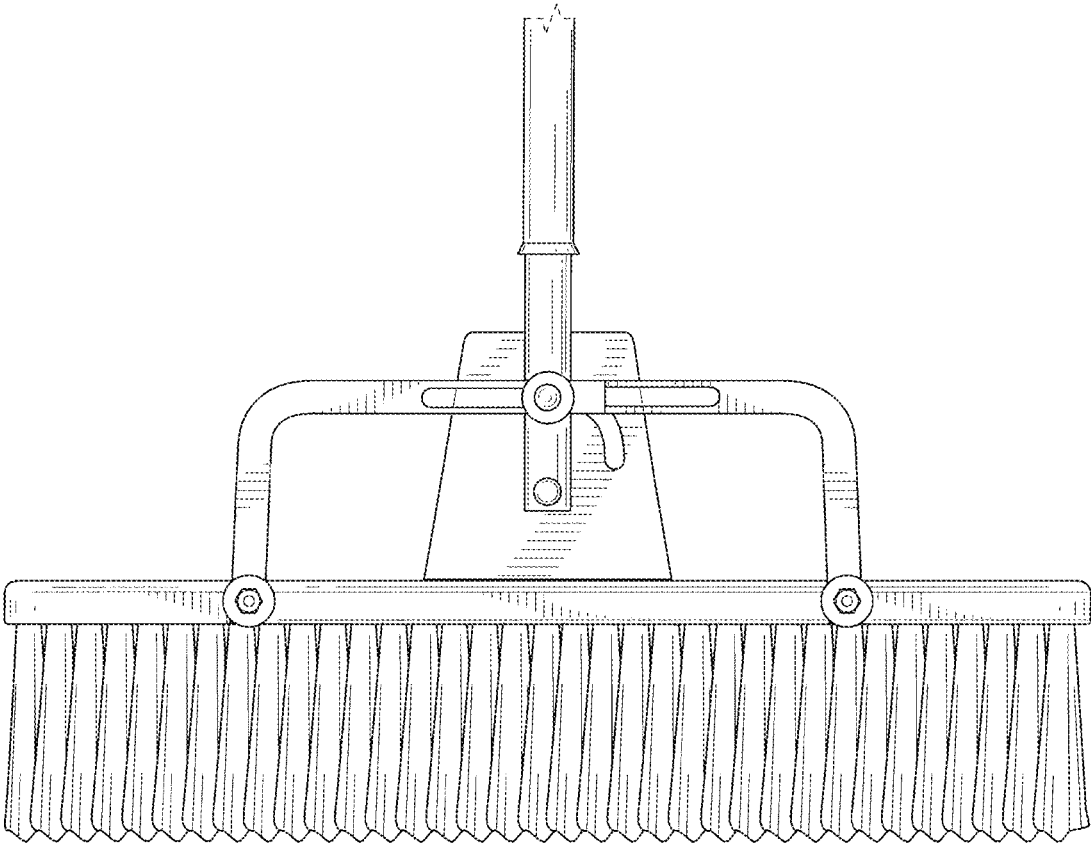


FIG. 3

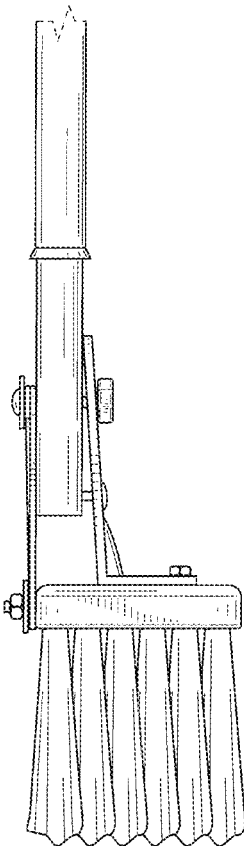


FIG. 4

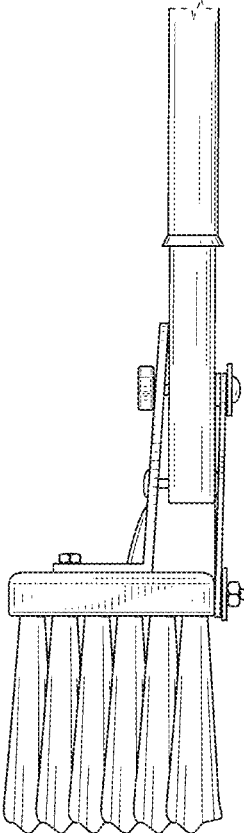


FIG. 5

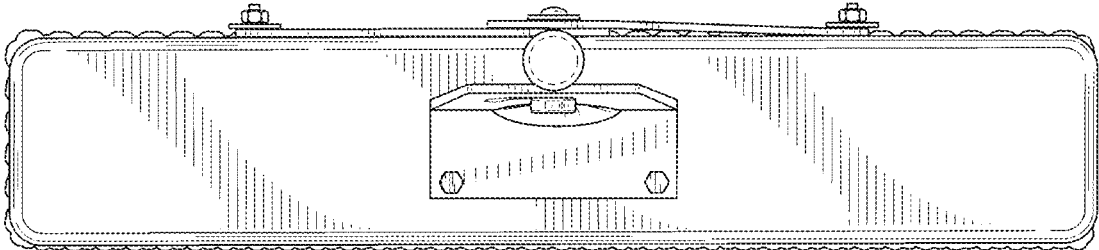


FIG. 6

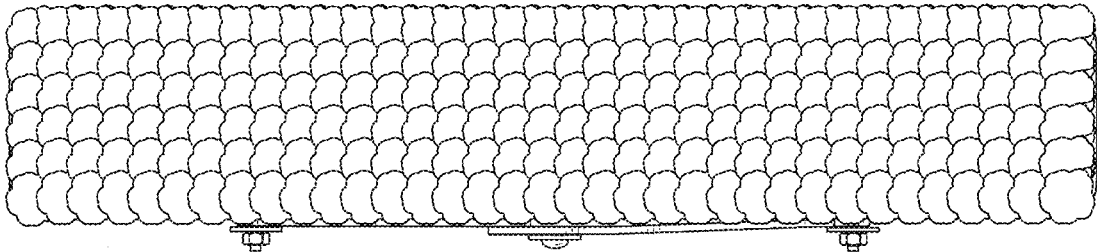


FIG. 7

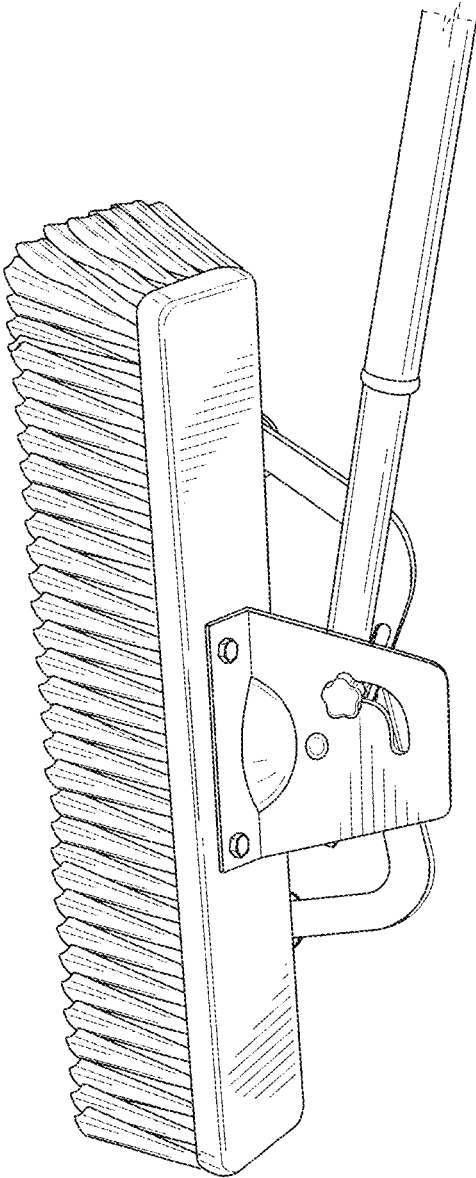


FIG. 8