



US00D551508S

(12) **United States Design Patent**
Friedland et al.

(10) **Patent No.:** **US D551,508 S**

(45) **Date of Patent:** **** Sep. 25, 2007**

(54) **CONTAINER**

D204,963 S * 5/1966 Kossnar D9/429
D208,829 S 10/1967 Stockdale D9/425

(75) Inventors: **Jason Friedland**, Franklin, TN (US);
Matthew Wadalawala, Manhattan
Beach, CA (US); **Angus MacLellan**,
Columbus, OH (US); **John Heck**,
Ostrander, OH (US); **Glenn Shull**, Los
Angeles, CA (US); **Gary Chisholm**,
Rancho Palos Verdes, CA (US)

(Continued)

OTHER PUBLICATIONS

U.S. Trademark Registration No. 2,052,069 (Apr. 15, 1997).

(Continued)

Primary Examiner—Philip S. Hyder
Assistant Examiner—Cynthia Underwood
(74) *Attorney, Agent, or Firm*—Arent Fox

(73) Assignee: **Mars, Incorporated**, McLean, VA (US)

(**) Term: **14 Years**

(21) Appl. No.: **29/267,006**

(22) Filed: **Oct. 4, 2006**

(51) **LOC (8) Cl.** **07-01**

(52) **U.S. Cl.** **D7/545; D7/543; D7/565;**
D7/584

(58) **Field of Classification Search** D7/354,
D7/369, 500, 540-41, 543, 545, 546, 550.1,
D7/548, 553.1, 565, 553.3, 586, 553.7, 601,
D7/584, 602, 554.1, 605, 554.4, 610; D6/300,
D6/401.1-401.6; D9/416, 431, 424-430,
D9/433, 737, 759; D27/126; D11/152; D20/10;
220/500, 574; 229/123.1; 206/561; D30/129
See application file for complete search history.

(56) **References Cited**

U.S. PATENT DOCUMENTS

D42,200 S 2/1912 Farr D7/584
D50,194 S * 1/1917 Haley D7/584
D50,195 S 1/1917 Haley D7/586
D68,215 S 9/1925 McLean D9/430
1,735,219 A * 11/1929 Steele et al. 220/62.13
D81,921 S * 9/1930 Dwyer D7/585
3,244,312 A 4/1966 Lawson 220/5
D204,640 S 5/1966 Reifers et al. D9/425
D204,961 S * 5/1966 Kossnar D9/429
D204,962 S * 5/1966 Kossnar D9/429

(57) **CLAIM**

The ornamental design for a container, substantially as
shown and described.

DESCRIPTION

FIG. 1 is a perspective view of a first embodiment of the
container, showing our new design;

FIG. 2 is a left side elevational view thereof;

FIG. 3 is a right side elevational view thereof;

FIG. 4 is a top plan view thereof;

FIG. 5 is a front elevational view thereof;

FIG. 6 is a rear elevational view thereof;

FIG. 7 is a perspective view of a second embodiment of the
container;

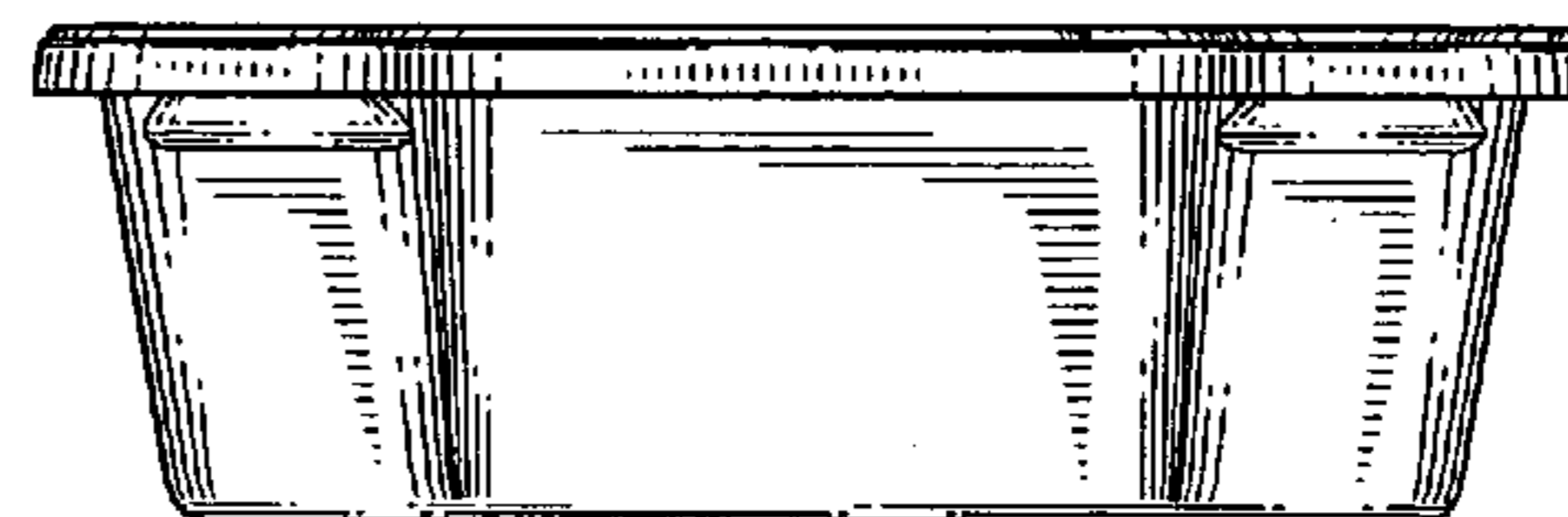
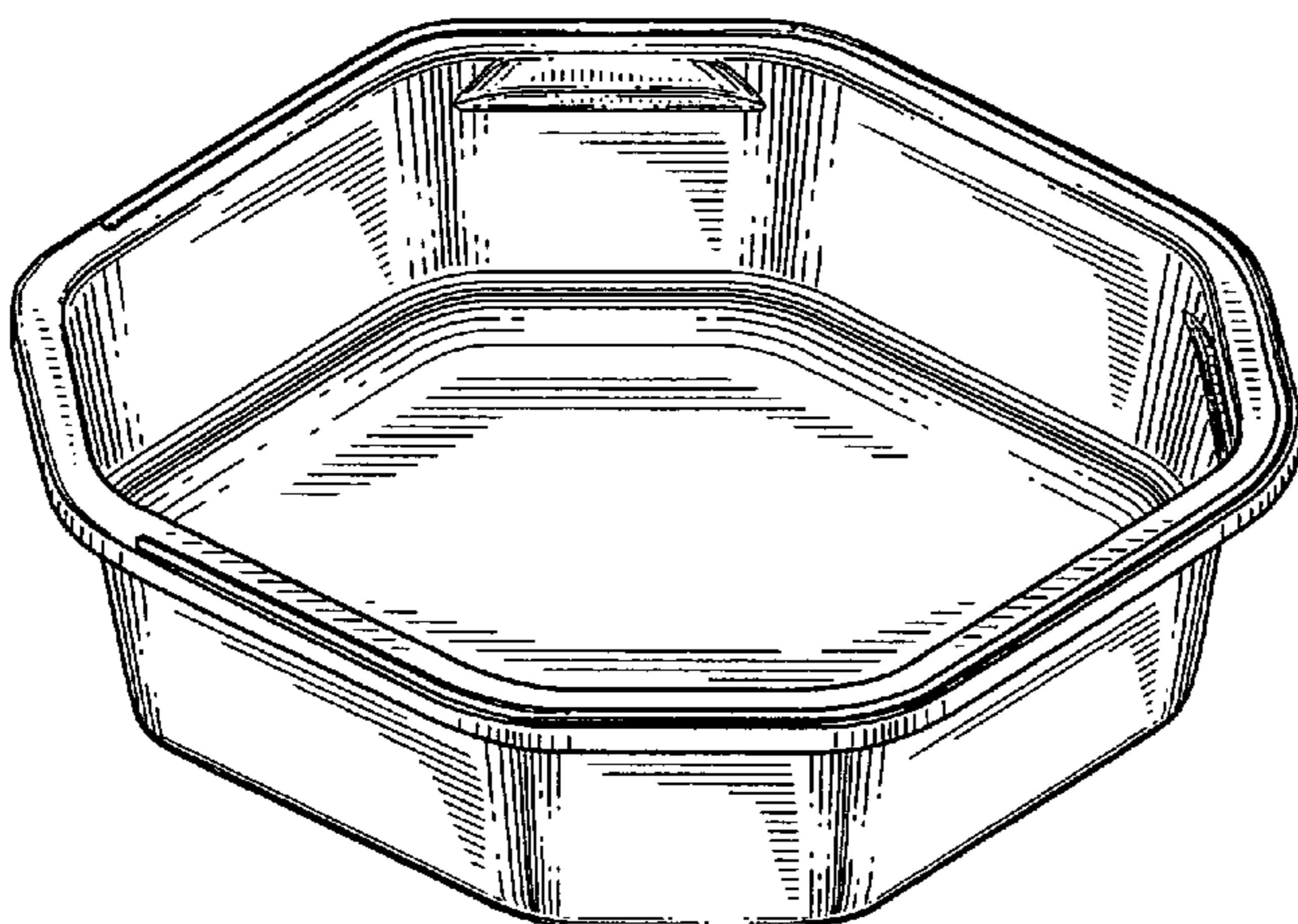
FIG. 8 is a left side elevational view of the second embodi-
ment, the right side elevational view being a mirror image
thereof;

FIG. 9 is a top plan view thereof; and,

FIG. 10 is a front elevational view of the second embodi-
ment, the rear elevational view being a mirror image thereof.

The bottom of the container forms no part of the claimed
design.

1 Claim, 4 Drawing Sheets



US D551,508 S

Page 2

U.S. PATENT DOCUMENTS

| | | | | | | | |
|--------------|---------|----------------------|--------|----------------|---------|-----------------------|---------|
| D213,428 S | 3/1969 | Batdorf | D9/220 | D344,892 S | 3/1994 | Robie et al. | D9/431 |
| 3,443,741 A | 5/1969 | Stockdale | 229/51 | D374,819 S | 10/1996 | Wells | D9/425 |
| D226,837 S | 5/1973 | Le Cody | D9/429 | D385,185 S | 10/1997 | Rench et al. | D9/430 |
| D251,895 S | 5/1979 | Belmuth et al. | D9/426 | D397,294 S * | 8/1998 | Saulas | D9/430 |
| D253,331 S | 11/1979 | Olschewski | D7/76 | D398,526 S | 9/1998 | Schwarz et al. | D9/431 |
| D255,857 S | 7/1980 | Zimmermann | D7/565 | D398,846 S | 9/1998 | Wyslotsky | D9/425 |
| D256,308 S | 8/1980 | Zimmermann | D7/565 | D398,847 S * | 9/1998 | Wyslotsky et al. | D9/425 |
| D256,756 S * | 9/1980 | Painter et al. | D7/584 | D398,848 S | 9/1998 | Wyslotsky et al. | D9/425 |
| 4,265,390 A | 5/1981 | Faller et al. | 229/30 | D414,080 S | 9/1999 | Bolwien | D7/602 |
| D275,079 S | 8/1984 | Sun | D6/300 | D427,902 S | 7/2000 | Hayes et al. | D9/425 |
| D285,514 S | 9/1986 | Ritman | D7/354 | D461,431 S | 8/2002 | Ciocchini | D11/152 |
| D288,295 S | 2/1987 | Holden | D9/425 | 6,572,909 B1 * | 6/2003 | Bagwell et al. | 426/394 |
| D290,813 S | 7/1987 | Forbes, Jr. | D8/433 | D484,749 S | 1/2004 | Garraway | D7/584 |
| D291,757 S * | 9/1987 | Ritman | D7/584 | D485,173 S | 1/2004 | Jacquet | D9/416 |
| D298,000 S | 10/1988 | Ritman | D7/584 | D489,254 S | 5/2004 | Kocis et al. | D9/425 |
| D304,016 S | 10/1989 | Forbes et al. | D9/425 | D532,980 S * | 12/2006 | Hutton | D6/300 |
| D305,393 S | 1/1990 | Stewart | D7/21 | | | | |
| D307,716 S | 5/1990 | Fitzloff et al. | D9/424 | | | | |
| D315,099 S | 3/1991 | Alizard | D9/424 | | | | |
| D322,403 S | 12/1991 | Eaton | D9/429 | | | | |

OTHER PUBLICATIONS

U.S. Trademark Registration No. 2,629,469 (Oct. 1, 2002).

* cited by examiner

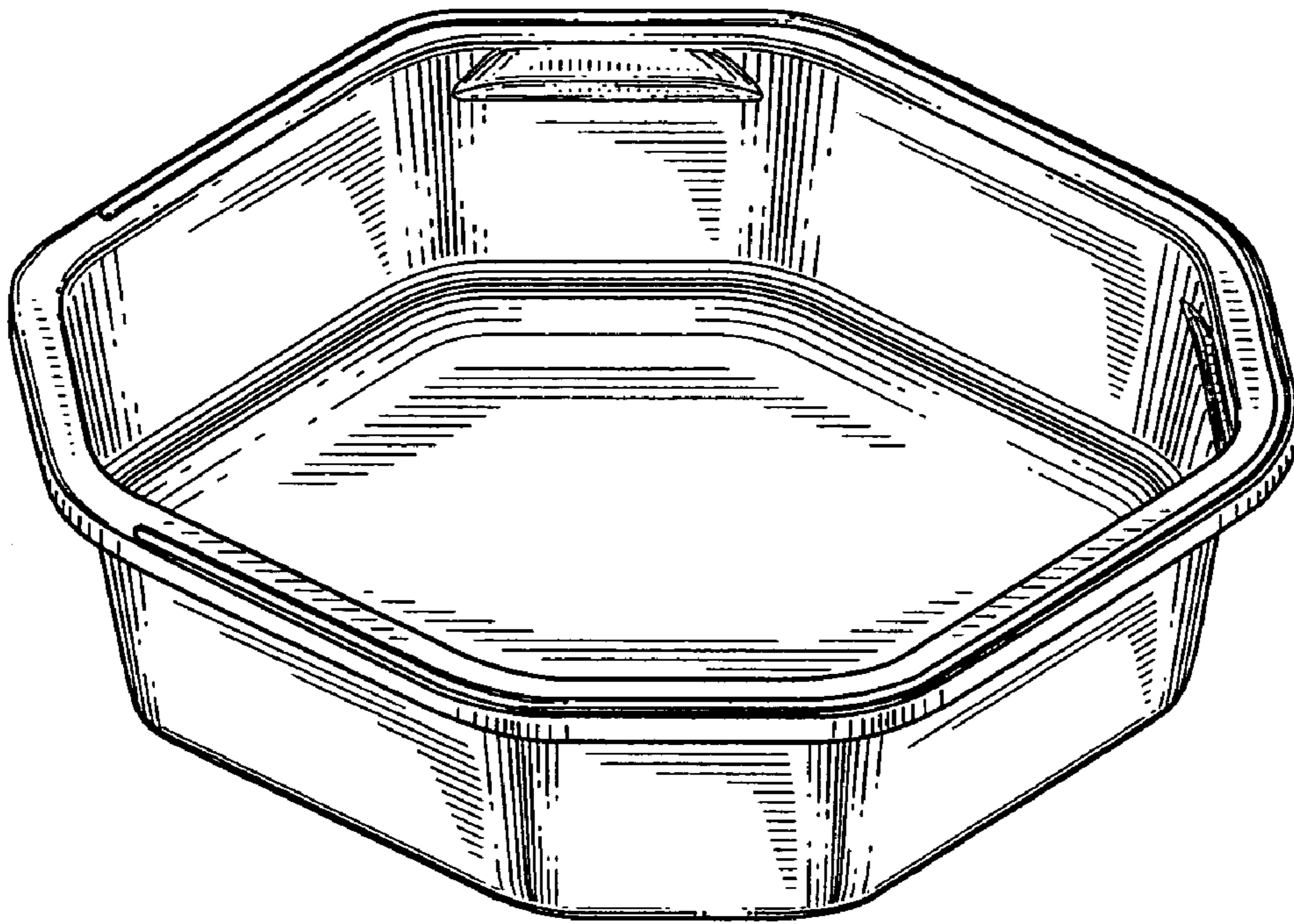


FIG. 1

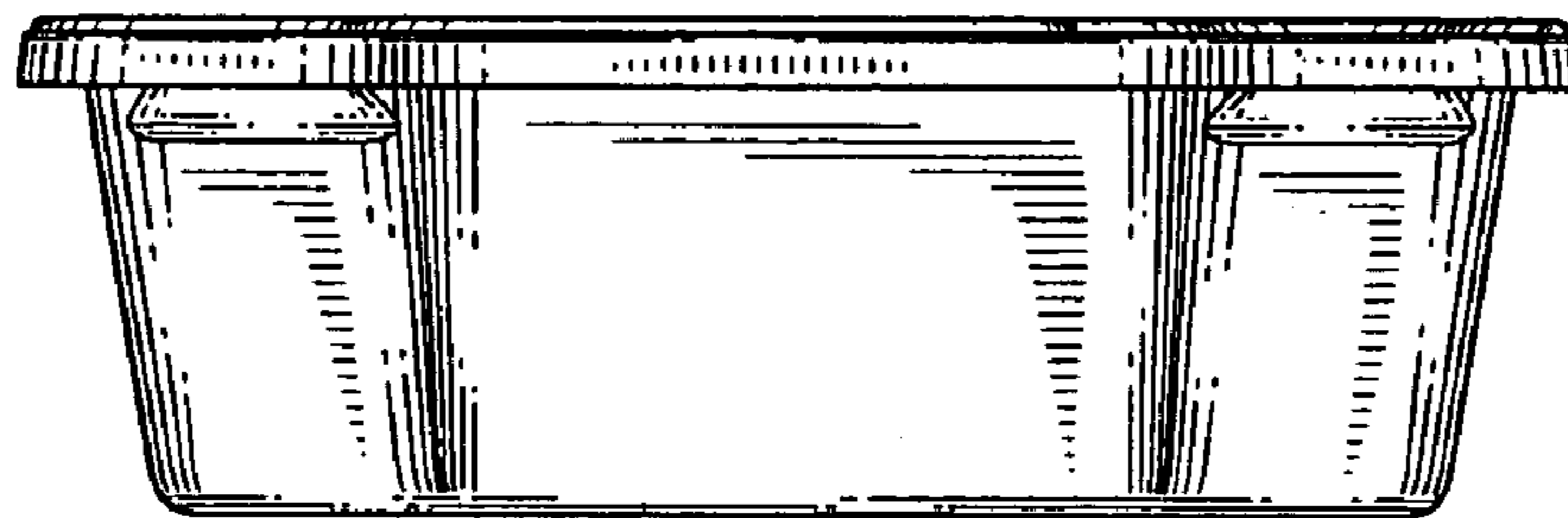


FIG. 2

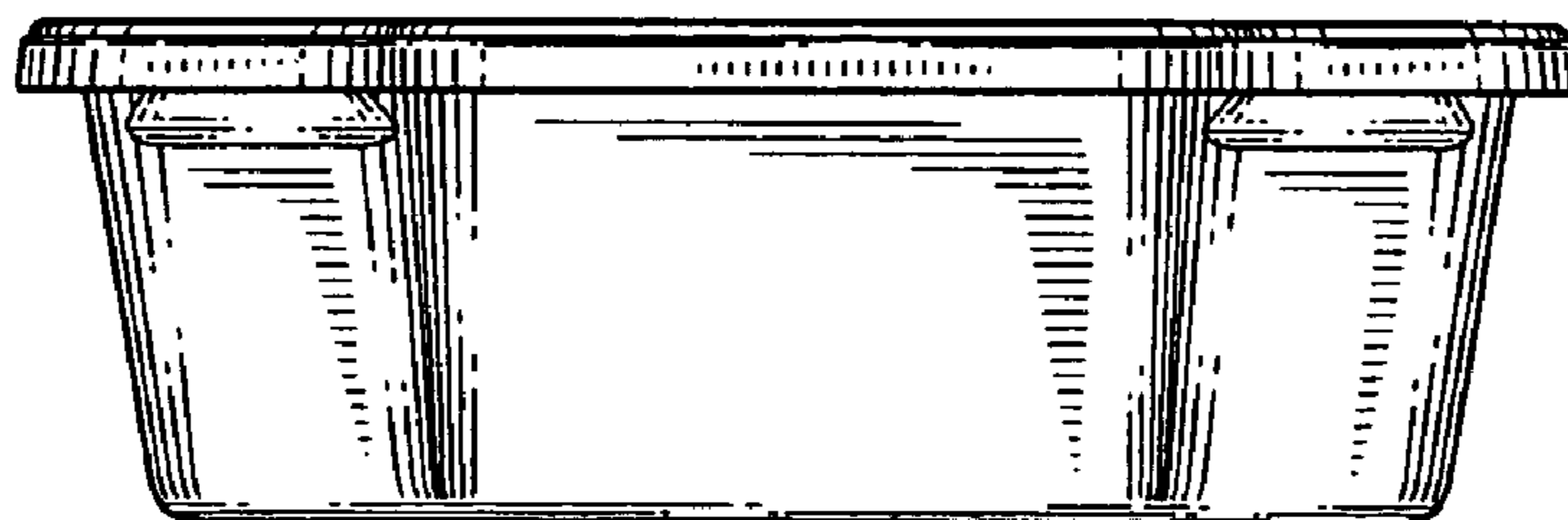


FIG. 3

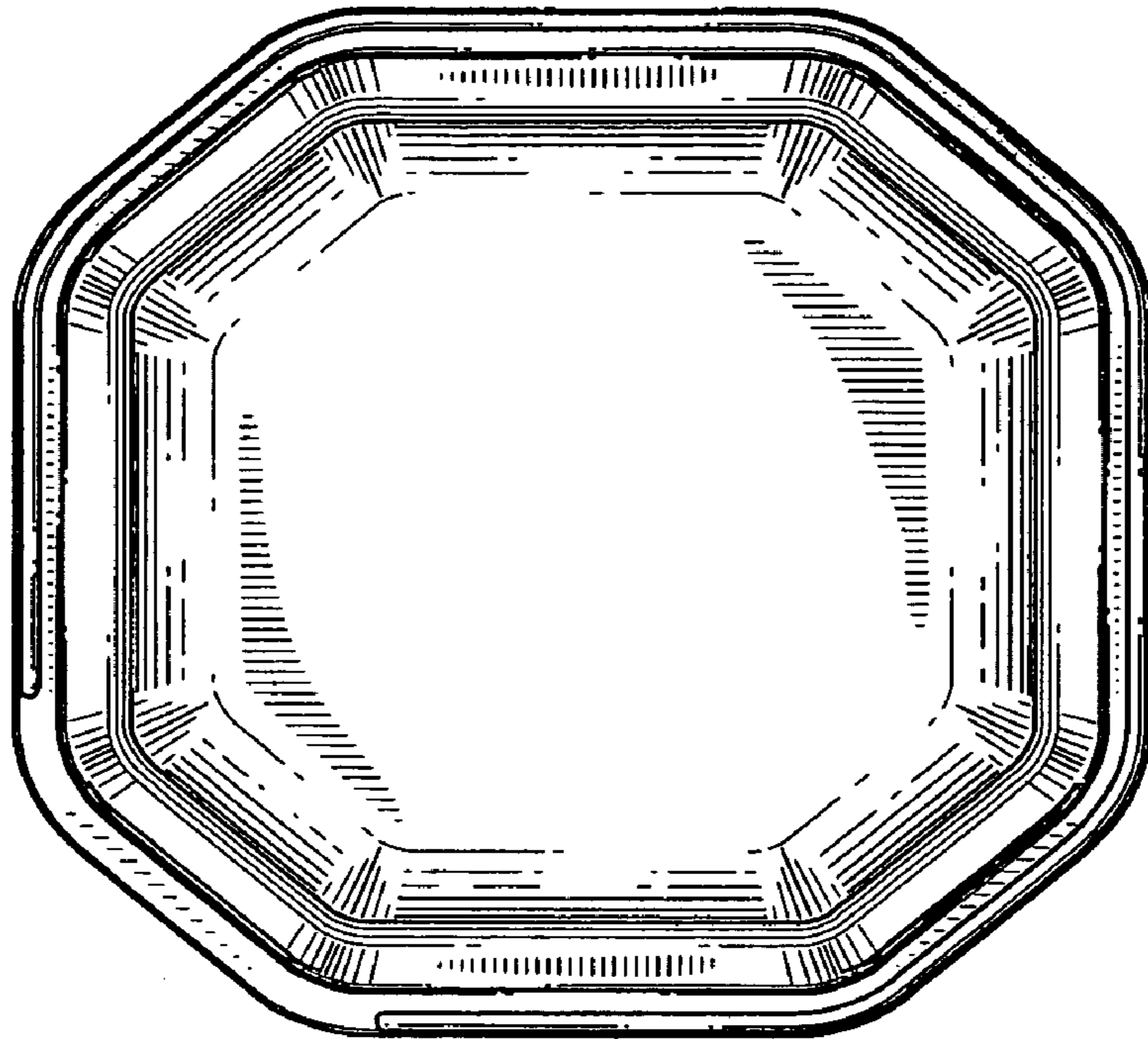


FIG. 4

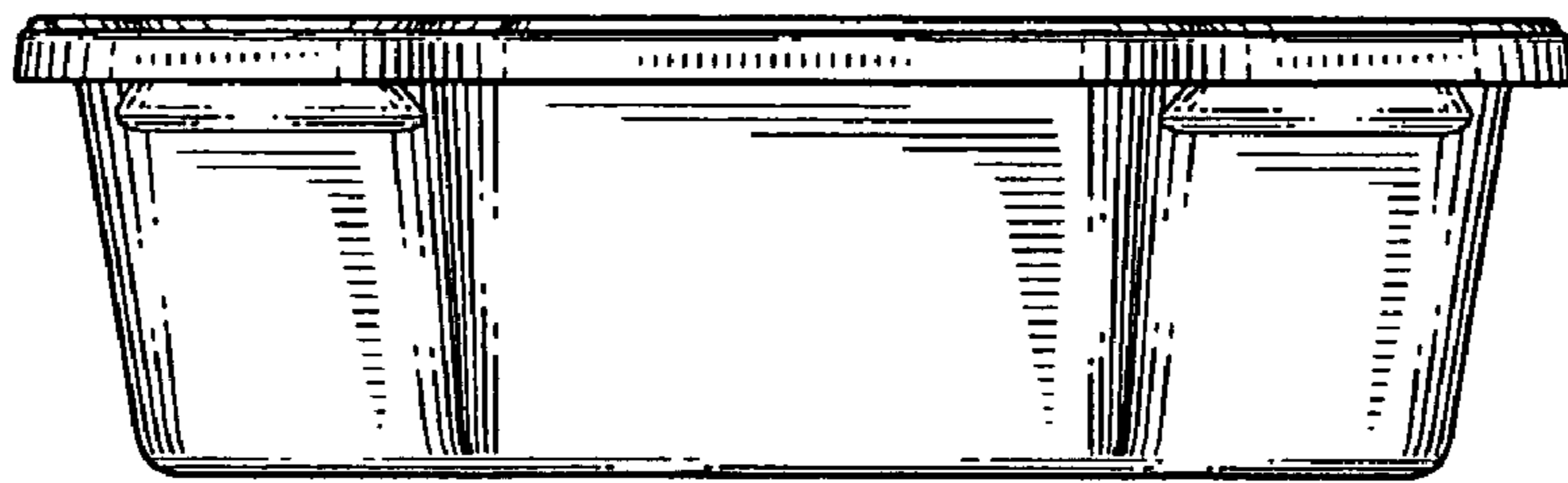


FIG. 5

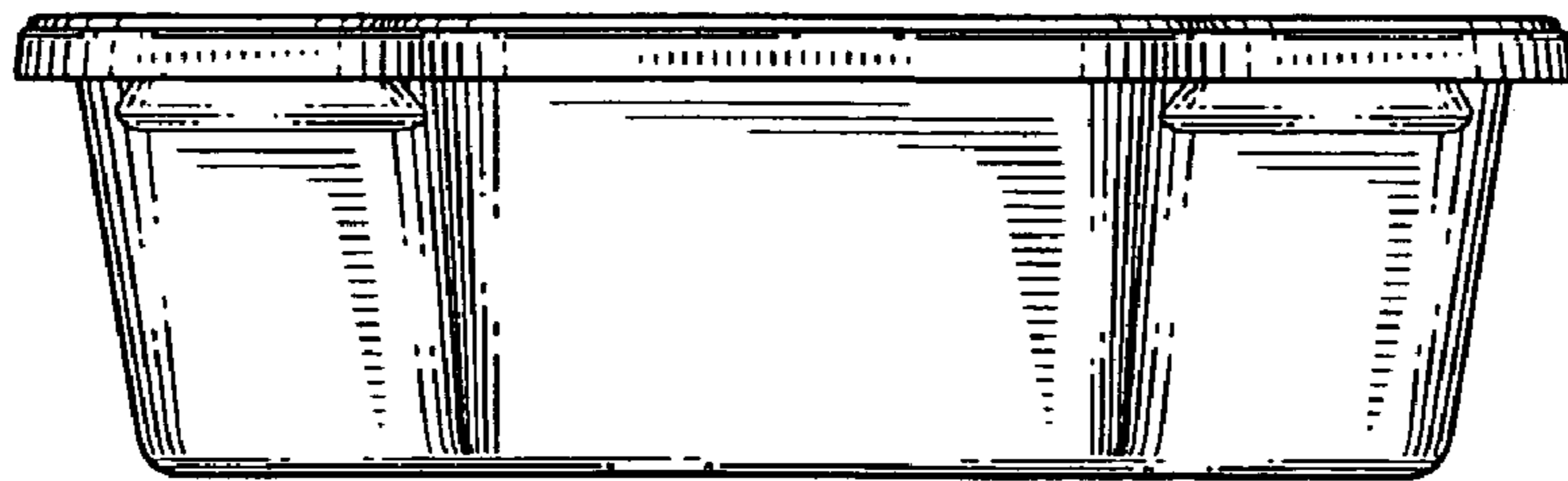


FIG. 6

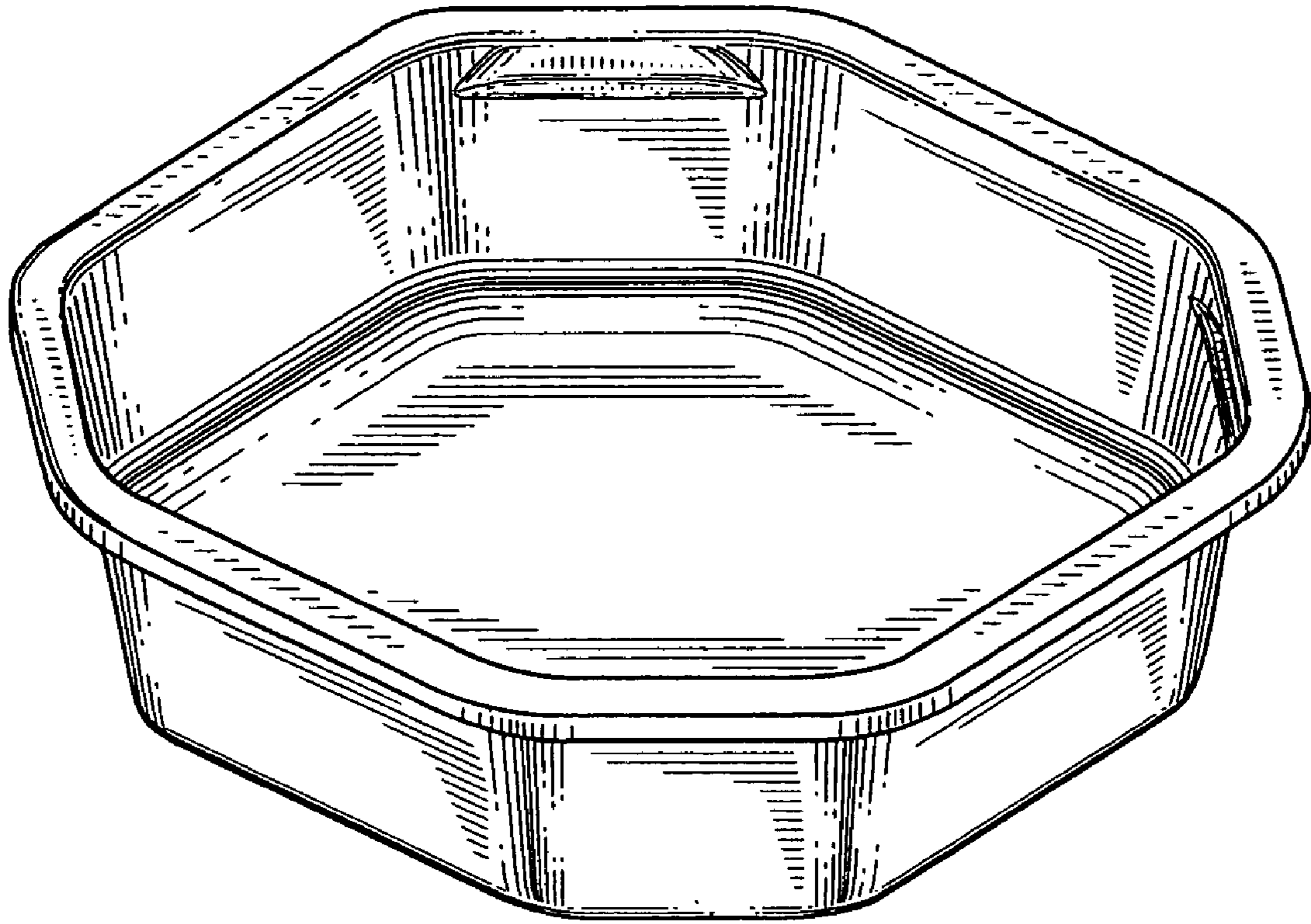


FIG. 7

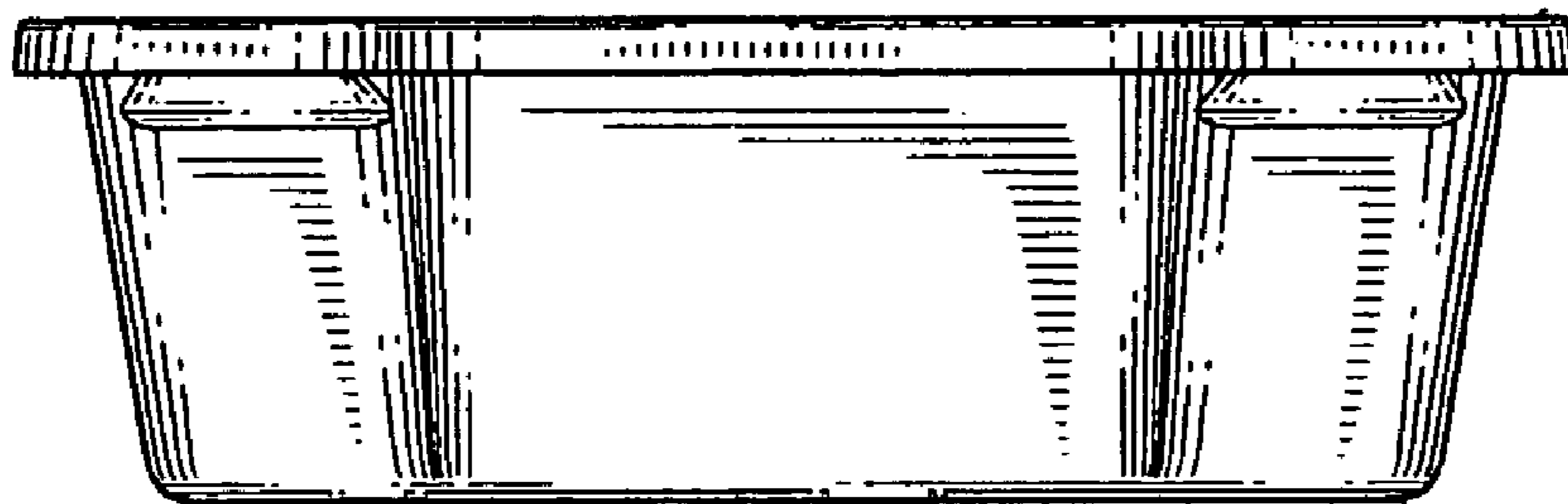


FIG. 8

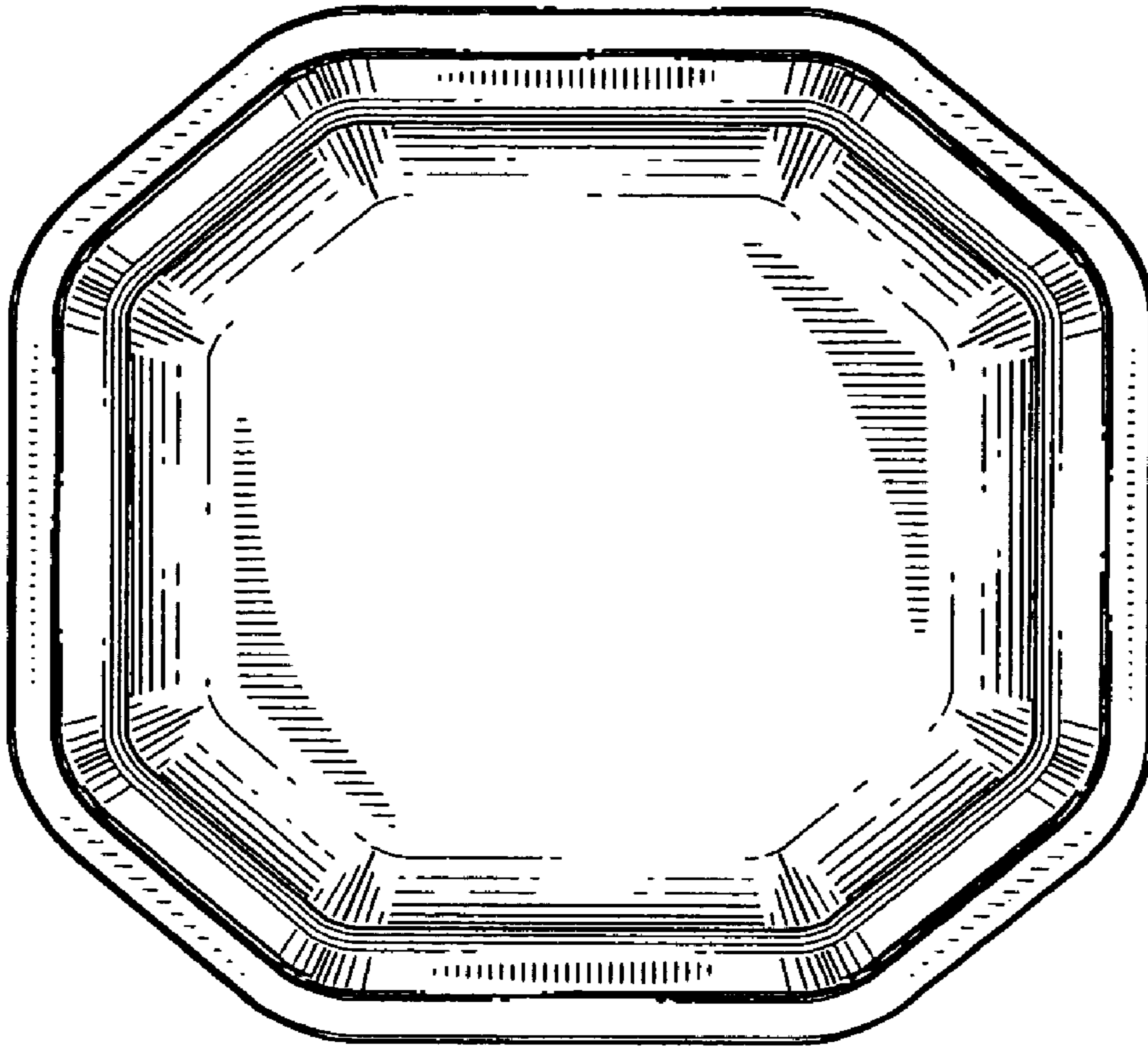


FIG. 9

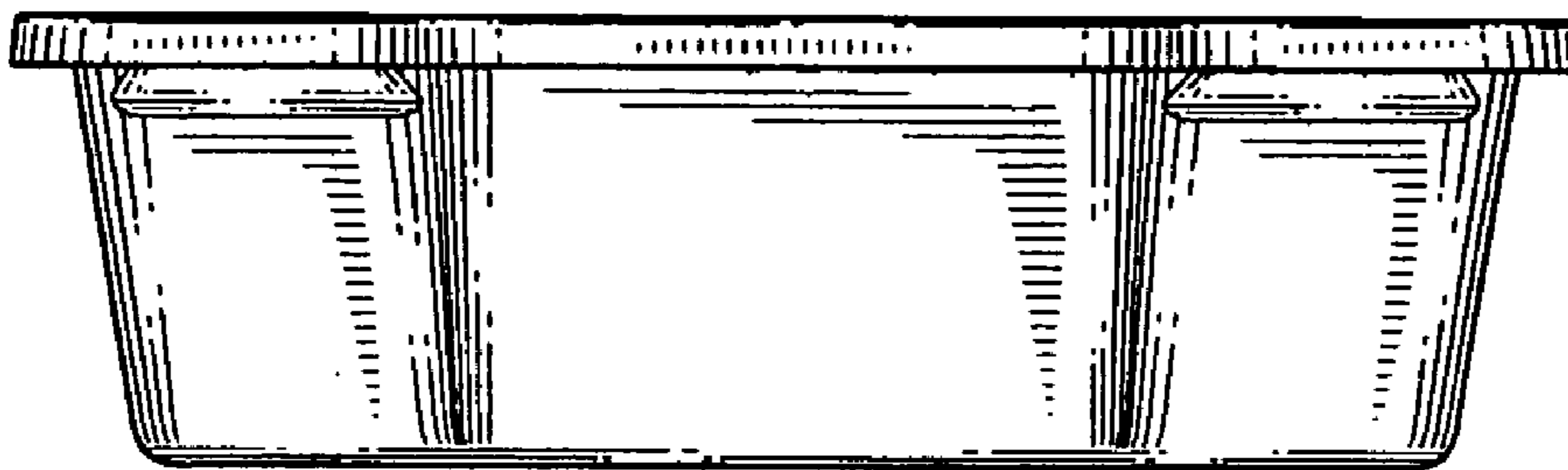


FIG. 10